



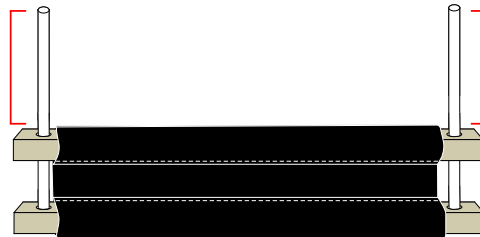
# Flip Trap™

SL2304  
SL2305  
SL2306  
SL2307

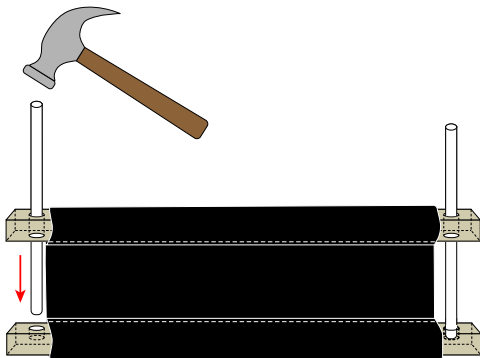
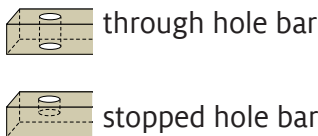
1. Push wood bars through sleeves of trap cloth.
2. Insert metal rods into through hole bar and stopped hole bar. Tap rods fully into stopped holes.
3. Push through hole bar next to stopped hole bar.
4. Squeeze free ends of metal rods together; insert rods into holes at front of Flip loom. To unfold trap cloth, move through hole bar closer to loom.



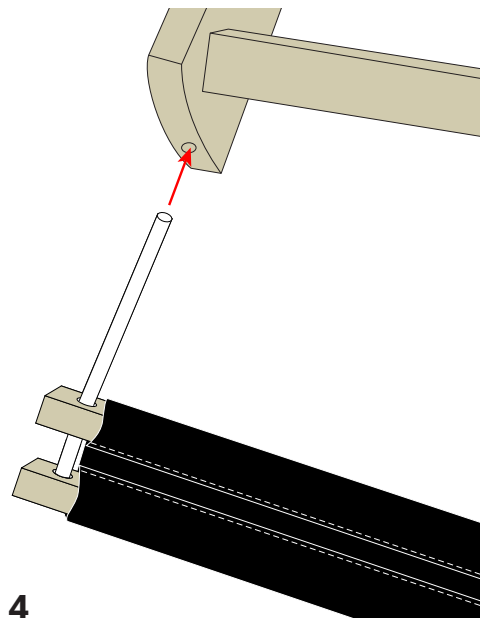
1



3



2



4



Find out more at [schachtspindle.com](http://schachtspindle.com)  
Schacht Spindle Company 6101 Ben Place Boulder, CO 80301  
303.442.3212

© 2023 Schacht Spindle Company, Inc.