

WW6711
WW6712

Hand Bobbin Winders

ASSEMBLY FOR SINGLE END AND DOUBLE END MODELS



Find out more at [schachtspindle.com](https://www.schachtspindle.com)
Schacht Spindle Company 6101 Ben Place Boulder, CO 80301
303.442.3212

© 2023 Schacht Spindle Company, Inc.

07.23

HAND BOBBIN WINDER

ASSEMBLY

DOUBLE END WINDER

PARTS

- 1X main assembly: clamp, base, and upright with drive center tip (metal for regular and lace)
- 1X tail spindle with live center tip (metal for regular, plastic for lace)
- 2X 5/16" x 15" metal rods
- 1X drive wheel
- 3X 3/8" washers
- 1X 3/8" e-clip
- 1X drive belt
- 1X 5/64" hex wrench

TOOLS

- hammer
- scrap block of wood

SINGLE END WINDER

PARTS

- 1X main assembly: clamp, base, and upright with drive axle (metal)
- 1X drive wheel
- 3X 3/8" washers
- 1X 3/8" e-clip
- 1X drive belt
- 1X drive shaft (metal)
- 1X 5/64" hex wrench

INSTALL THE TAIL SPINDLE (DOUBLE END WINDERS ONLY)

1. Place the main assembly on a corner of a sturdy table, with the drive wheel axle pointing toward the floor. Using a hammer and a scrap piece of wood, tap one end of each 5/16" metal rod into the holes on the bobbin winder upright (Figure 1). The rods will measure about 13-1/2" when they are in all the way.

2. Attach the tail spindle: press the spring clamp down and slide the spindle onto the metal rods with the winding tips facing each other (Figure 1).

3. Press the spring clamp and move the tail spindle along the metal rods to fit your bobbins, spools, or pirns. The bobbin winder wheel will turn easily when there is as little tension as possible on the tail spindle.

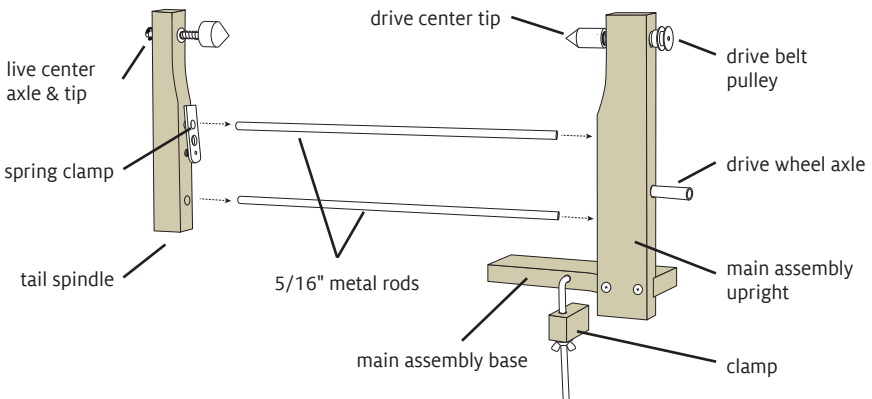


FIGURE 1: INSTALL TAIL SPINDLE (DOUBLE END WINDER ONLY)

INSTALL THE DRIVE WHEEL (ALL WINDERS)

1. Clamp the bobbin winder base to a table top. Place three 3/8" washers on the drive wheel axle. Place the drive wheel on the axle. Press the e-clip into the groove on the end of the axle (Figure 2).
2. Install the drive band around the shaft pulley and the drive wheel (Figure 3). Double end winders are ready for use; for single- end, continue to the next section.

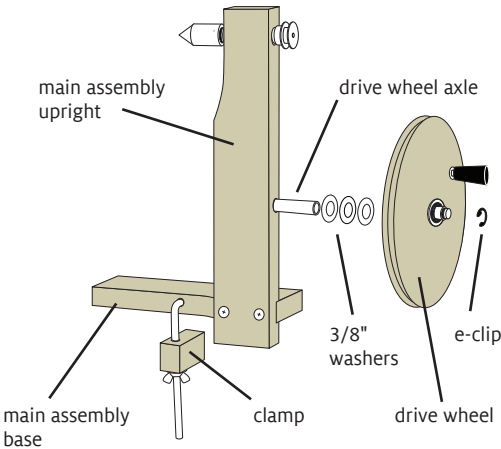


FIGURE 2: INSTALL DRIVE WHEEL (ALL WINDERS)

INSTALL THE DRIVE SHAFT (SINGLE END WINDER ONLY)

1. Place the drive shaft on the drive axle at the top of the upright. Line up the set screw in the long shaft with the flat side of the drive axle (Figure 3).
2. Tighten the set screw securely with the hex wrench. The single end bobbin winder is ready for use.

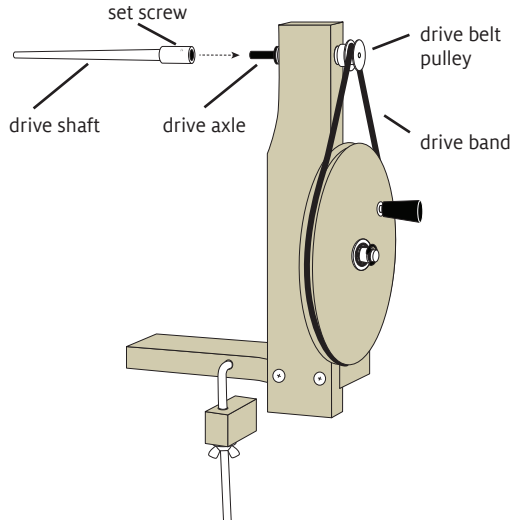


FIGURE 3: INSTALL DRIVE SHAFT (SINGLE END WINDER ONLY)

SWITCHING REGULAR & LACE TIPS (DOUBLE END WINDER ONLY)

The double end winder comes with drive center and live center tips already installed. If you have regular and lace winding tips, you can switch them to handle different types of winding tasks.

1. Replace the drive center tip on the main assembly upright (see Figure 1 on page 2): use the hex wrench to loosen the set screw in the tip and pull the tip off the axle. Insert the new drive center tip firmly on the axle and tighten its set screw.
2. Remove the installed live center axle and attached tip from the tail spindle (see Figure 1 on page 2): remove the e-clip at the outer end of the axle. Slide the axle and attached tip out of the tail spindle, removing 3 washers, another e-clip, and the spring.
3. Install the new live center axle and tip: insert the axle through an e-clip, a washer, the spring, and a second washer. Now insert the axle through the tail spindle from its inner side. Add the last washer and secure the axle with the last e-clip, clicking it into the groove at the end of the axle (Figure 4). ■

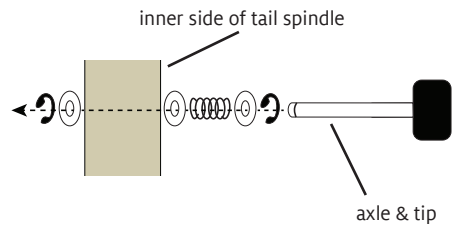


FIGURE 4: INSTALLING THE LIVE CENTER AXLE AND TIP

Helpful Hints for Using Your Bobbin Winder

If the drive belt stretches out of shape and slips, remove it, stretch a rubber band over the groove in the wheel, then reinstall the drive band.

You can increase belt tension and traction by twisting the belt once in a figure 8 before placing it over the shaft pulley. Note that this will also reverse the direction you are winding.

Replacement drive bands can be purchased at your local weaving shop or on the Schacht website.

Your hand bobbin winder has been carefully designed for years of trouble-free use. The bearings are all self-lubricating and under normal use should not require further lubrication. If your bobbin winder becomes difficult to turn, add a few drops of light machine oil (such as sewing machine oil) on each bearing.