

FL3012 FL3022
FL3014 FL3024

MIGHTY WOLF™

ASSEMBLY



Find out more at [schachtspindle.com](https://www.schachtspindle.com)
Schacht Spindle Company 6101 Ben Place Boulder, CO 80301
303.442.3212

© 2023 Schacht Spindle Company, Inc.

06.23

MIGHTY WOLF™

ASSEMBLY

PARTS

Wrapped onto warp beam:

- 3X apron bars
- 2X lease sticks (with holes)

Accessory pack:

Maintenance & Warranty Manual

- 1X warp beam crank handle
- 1X 3/8" cap nut
- 1X 3/8" washer
- 3X extra 8/32" hex nuts for shafts
- 3X extra rubber O-rings for shafts
- 1X brass reed hook
- 14X 29" apron cords
- 80X tie-ups
- 1000X heddles

TOOLS REQUIRED

- #2 Phillips screwdriver
- 5/8" and 7/16" or adjustable wrenches



washer



cap nut



hex nut



O-ring



BEFORE YOU BEGIN

- All Wolf looms assemble in a similar way. Watch the Baby Wolf assembly video on our Youtube channel (www.youtube.com/user/schachtspindle).
- You'll find a complete labeled diagram of the Wolf loom in your Maintenance and Warranty manual and at schachtspindle.com.
- Wolf loom legs are named by where they cross each other. The legs that touch the ground at the front of the loom are called "inside" legs because they are covered by the "outside" legs when they cross at the loom center.
- The beater is at the front of the loom. The brake is on the right side of loom.

INITIAL UNPACKING

- Remove all plastic wrap from the loom.
- Remove the front beam:
unscrew the front beam screws and barrel nuts holding it in place—see Figure 1. Take the front beam completely off the loom. (The loom ships with the front extension facing inward to prevent damage.)
- Remove the shipping braces on both sides of the loom: slightly loosen the back beam knobs so the braces come free. Discard the shipping braces and tighten the back beam knobs.
- Reattach the front beam:
Orient the front beam so that its extension faces outward, as shown in Figure 2. Install the front beam in this position with its screws and barrel nuts.

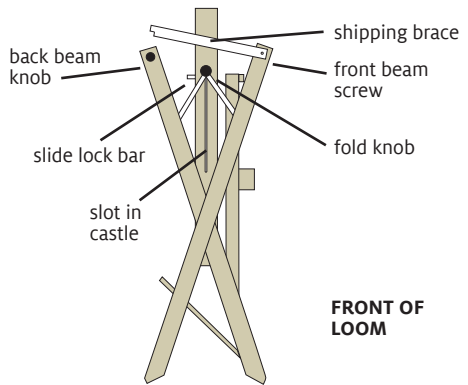


FIGURE 1: UNPACKING AND UNFOLDING

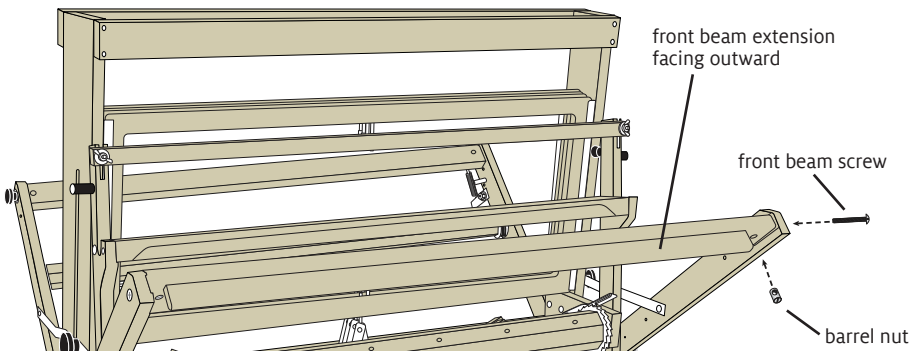


FIGURE 2: REATTACHING THE FRONT BEAM

UNFOLDING THE LOOM

1. Slightly loosen the black fold knobs on each side of the loom (Figure 1). Generally, a single turn will do.

2. **Loosening the knobs all the way or removing them can cause the loom to collapse, which could result in injury.** Stand at the side of the loom. Hold the front and back beams together slightly. Pull the slide lock bars partially out, toward the back of the loom.

3. Continue holding onto the front and back beams and allow the loom to unfold all the way. If there is a warp on the loom, you may need to hold down the brake release pedal with your foot to loosen the warp as you unfold the loom.

When the loom has completely opened, push the fold knobs down

to the bottom of the slots in the castle. Tighten the knobs. You can push in the slide lock bars to get them out of the way.

FOLDING THE LOOM

To prevent treadles from dragging on the floor when the loom is folded, attach every treadle to at least one tie-up cord.

4. Start folding the loom: Make sure the slide lock bars are pulled out all the way. Loosen the fold knobs one full turn and pull them up in their slots.

5. With one hand on the back beam and one hand on the front beam, push the loom together as far as it will go.

6. Tighten the fold knobs. Push the slide lock bars in towards the front of the loom.

ATTACHING THE WARP BEAM CRANK HANDLE

The warp beam crank handle attaches to a threaded rod on the inside right leg (Figure 3).

Locate the washer, cap nut, and the warp beam crank handle in the accessory pack. Place the 3/8" washer and then the metal handle on the rod, with the wooden handle facing out. Secure with the the 3/8" cap nut.

When you're weaving, the crank should be pushed off of the cap nut. To engage the crank for turning the warp beam, pull the hexagonal hole in the crank onto the cap nut.

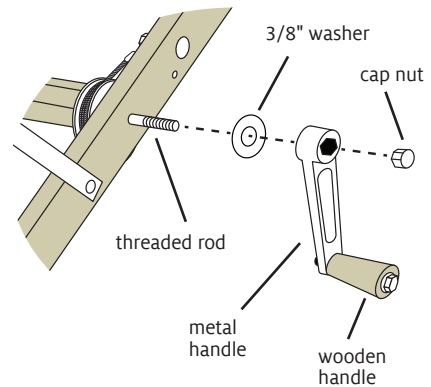


FIGURE 3: INSTALLING THE WARP BEAM CRANK HANDLE

ATTACHING THE APRON BARS

There is one apron cord for each hole in the cloth and warp beams.

7. Insert one end of a cord through a hole in the beam and pull the cord through. Then insert the other end through the second hole in the end of the cord that you just put through the beam. Pull firmly on the cord to tighten (Figure 4A). Repeat across the cloth beam and the warp beam.

8. To attach the apron bar to the apron cords, take a pinch of the cord about 4" from the end (Figure 4B). Insert the pinched cord through the second hole in the cord. Pull on the pinched cord until a new loop forms that is large enough for the apron bar to slip through (Figure 4C). Slide the apron bar through the loop (Figure 4D) and pull tight. Repeat until all cords are attached to the apron bar. Attach the other apron bar to its beam in the same way.

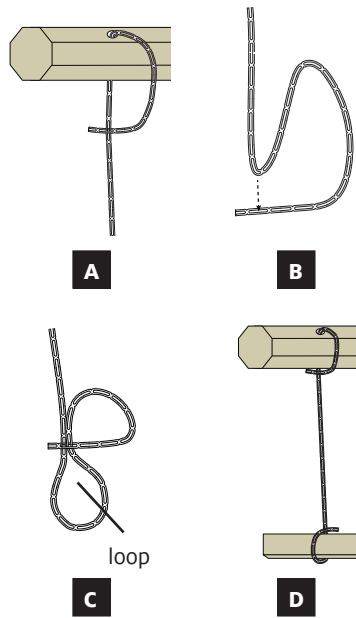


FIGURE 4: INSTALLING APRON CORDS

Visit [youtube.com/user/schachtspindle](https://www.youtube.com/user/schachtspindle) for an apron cord installation video.

INSTALLING HEDDLES

9. Remove the shafts from the loom by removing the rubber O-rings and unscrewing the small hex nuts from the jack pins (Figure 5). Pull the shaft straight up and out of the loom. When you put the shaft back in the loom, be sure to insert the jack pin back into the hole and secure it with the hex nut. Replacing the rubber O-ring is optional.

10. Lay the shaft on a flat surface. Remove the heddle bars if they are already installed: flex a bar slightly, pull one end out of the shaft frame, then remove the other end.

11. Lay two heddle bars next to the heddles. Carefully slide a group of heddles onto the heddle bars. Fit one end of each heddle bar into one of the slots in the shaft frame.

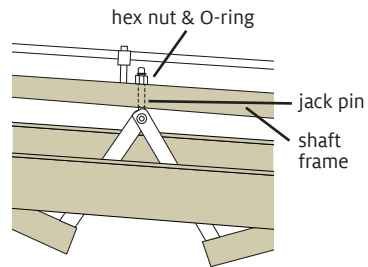


FIGURE 5: JACK PIN ATTACHMENT

Gently flex the heddle bar just enough to fit the other end into the slot on the opposing side of the shaft frame. Push approximately half of the heddles to each end of the shaft. Reinstall the heddle bars into the shaft frame. Secure the heddle bars into the heddle bar hooks.

12. Put the shaft back in the loom and secure the jack pin with the hex nut (and the O-ring if you wish). Repeat for the other shafts. Be sure to keep the heddles oriented in the same direction for easier threading.

INSTALLING TIE-UPS

13. There is one tie-up for every lamm hole. Loop one end of each tie-up through a hole in the lamm (Figure 6).

14. Tie shafts to a treadle by slipping a tie-up into the slot in a treadle. Work from the front lamm to the rear lamm for each treadle. After you have completed your tie-up, check each treadle by pushing it all the way to the floor and releasing it, making sure that the button of each tie-up is up against the treadle and that each tie-up hangs straight down to the treadle.

There is a 1/2" round depression on the underside of each treadle end to prevent the tie-ups from slipping off when the loom is folded.

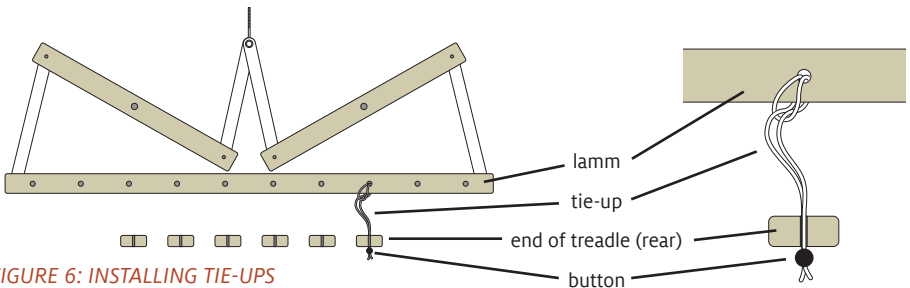


FIGURE 6: INSTALLING TIE-UPS

USING THE BEATER PIN

The small metal pin attached to the outside right leg holds the beater upright during warping. Push the pin through the hole in the leg and then through the slot in the beater side. Pull out the beater pin and place it in its holder before weaving or before folding the loom.

ADJUSTING THE FRICTION BRAKE

The friction brake can be adjusted by tightening or loosening the eye bolt (Figure 7). This will increase or decrease the tension on the spring, which will in turn increase or decrease the tension on the brake bar and the brake cable.

Always press down on the brake pedal while you are winding on the warp or advancing the warp on the cloth beam.

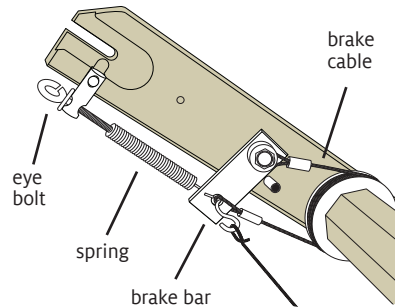


FIGURE 7: FRICTION BRAKE

REMOVING THE BACK BEAM

The back beam can be removed for better access to the heddles when you thread the loom. Loosen the back beam knobs on each side of the back beam and lift the beam out (Figure 8). To replace the back beam, slide it back into the legs and tighten the knobs.

When moving the loom, be sure to lift it using the cloth and warp beams, not the front and back beams.

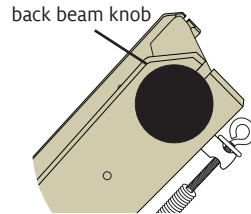


FIGURE 8: BACK BEAM

ADJUSTING THE BEATER

The height of your beater has been set at the factory to accommodate most weaving situations. If you want to raise or lower the beater, loosen the two nuts on the inside of each of the metal beater supports. Position the beater at the desired height and tighten the nuts. Be sure that you have set both beater sides at the same height. ■

MIGHTY WOLF ACCESSORIES



WOLF TRAP



SECTIONAL BEAM



LOOM BENCH



DOUBLE BACK BEAM



Visit our website
for more weaving
accessories.