

SL2230

ARRAS STAND™

ASSEMBLY



SHOWN WITH OPTIONAL ARRAS TRAP

ARRAS LOOM SOLD SEPARATELY



Find out more at [schachtspindle.com](https://www.schachtspindle.com)
Schacht Spindle Company 6101 Ben Place Boulder, CO 80301
303.442.3212

© 2023 Schacht Spindle Company, Inc.

11.23

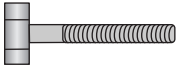
PARTS

- 2X front legs
- 2X rear legs
- 1X treadle support
- 1X left mounting plate
- 1X right mounting plate
- 2X fold-up supports
- 2X 1/4-20 x 1-3/4" Phillips truss head machine screws
- 2X #12 SAE washers
- 2X 1/4-20 slim lock nuts
- 2X 10-24 x 1-1/4" carriage bolts
- 4X #8 SAE washers
- 2X 10-24 lock nuts
- 2X 1/4-20 x 1-1/4" Phillips truss head machine screws

- 2X 1/4-20 plastic wing nuts
- 2X 1/4-20 x 2-1/4" Phillips truss head machine screws
- 2X 1/4-20 barrel nuts
- 2X 1/4-20 x 2-1/4" Phillips truss head machine screws
- 2X knobs with 1-1/4" shafts
- 2X T-nut slides
- 2X 3/8" USS washers
- 2X 1/4-20 plastic wing nuts

TOOLS REQUIRED

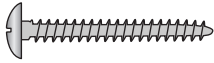
- #2 Phillips screwdriver
- two 7/16" wrenches or adjustable wrenches



carriage bolt



Phillips truss head machine screw



Phillips truss head sheet metal screw



washer



wing nut



T-nut slide



barrel nut



slim lock nut



lock nut

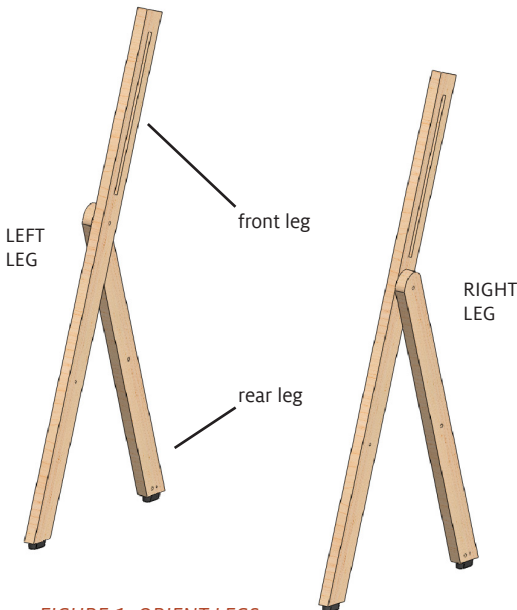


FIGURE 1: ORIENT LEGS

ASSEMBLE THE STAND

1. Orient the front legs (long) and rear legs (short) as shown in Figure 1, so that you have one left leg and one right leg.

2. Insert a 1/4-20 x 1-3/4" Phillips truss head machine screw through the rear leg, then through the front leg (Figure 2). On the inside of the front leg, add a #12 SAE washer and attach with a 1/4-20 slim lock nut. Tighten just until the legs can swing freely.

3. Orient (but do not attach) the fold-up supports as shown in Figure 3, with the square hole at the front leg and the support angling outward to the rear leg.

4. Attach the fold-up support to the front leg: Insert a 10-24 x 1-1/4" carriage bolt through the square hole of the support, turning the bolt until it fits tightly into the hole. Insert the bolt through a #8 SAE washer, then through the front leg, and add a #8 SAE washer to the bolt shaft (Figure 4). Secure with a 10-24 lock nut, tightening it as much as possible, then loosening it a quarter turn.

5. Attach the fold-up support to the rear leg: Insert a 1/4-20 x 1-1/4" Phillips truss head machine screw through the round hole of the fold-up support, then through the rear leg. Secure with a 1/4-20 plastic wing nut (Figure 5).

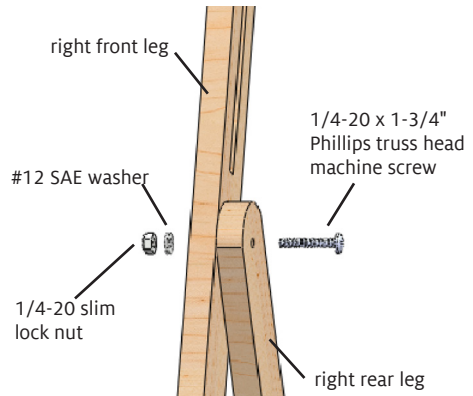


FIGURE 2: ATTACH FRONT AND REAR LEGS

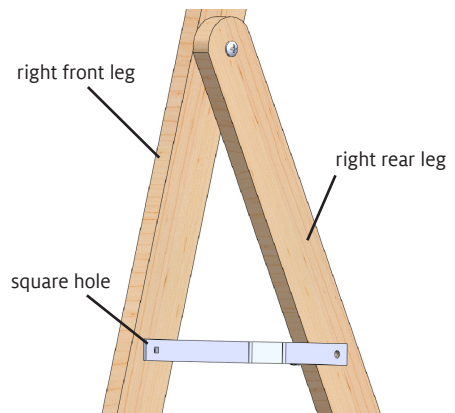


FIGURE 3: ORIENT FOLD-UP SUPPORTS

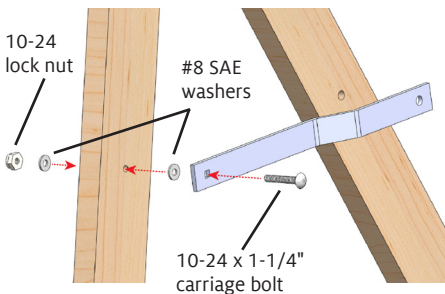


FIGURE 4: ATTACH FOLD-UP SUPPORT TO FRONT LEG

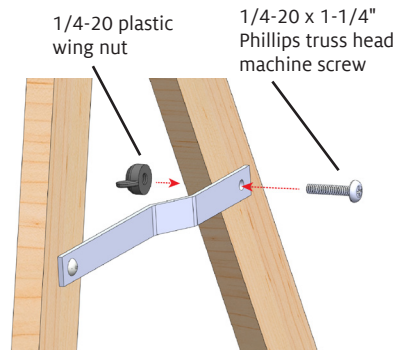


FIGURE 5: ATTACH FOLD-UP SUPPORT TO REAR LEG

NOTE: If you assemble the Treadle Kit and Arras Stand at the same time, see the Treadle Kit assembly manual for attaching treadles to the treadle support. Assemble the treadles first, then proceed with this step.

6. Place the treadle support between the rear legs, with its pins going into holes in the rear legs. Insert 1/4-20 barrel nuts into the holes at each end. From the outer side of the legs, insert 1/4-20 x 2-1/4" Phillips truss head machine screws into the barrel nuts (Figure 6). Tighten the screws just enough to hold the stand steady.

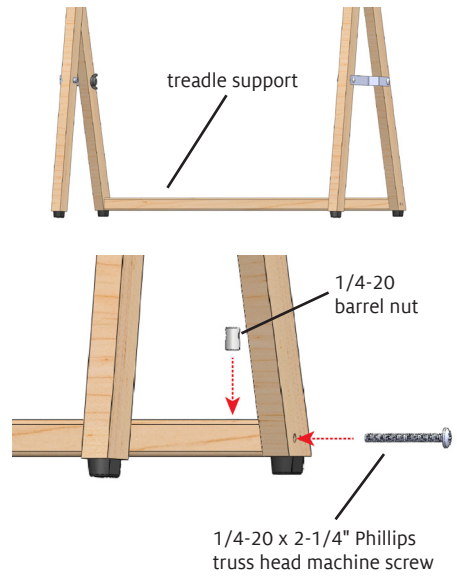


FIGURE 6: ATTACH TREADLE SUPPORT

INSTALL THE LOOM ON THE STAND

You'll remove knobs and other parts from the Arras Tapestry Loom so you can replace them with hardware for the Stand. Store all removed parts so you can re-install if you take the loom off the stand.

7. (For looms with a beam kit, jump to the next step.) On looms without a beam kit, remove both leg extensions by unscrewing the knobs holding them to the loom legs (Figure 7). Store the knobs and leg extensions.

8. Remove the uppermost knobs holding the loom legs (Figure 7) or bases to the left and right loom uprights (Figure 8). You can store the knobs, T-nut slides, and 3/8" washers.

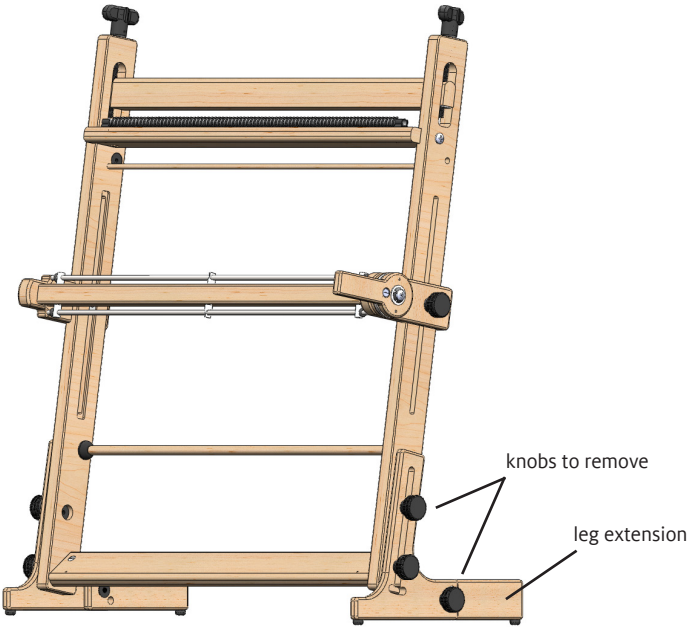


FIGURE 7: REMOVE LEG EXTENSIONS AND KNOBS FROM LOOM

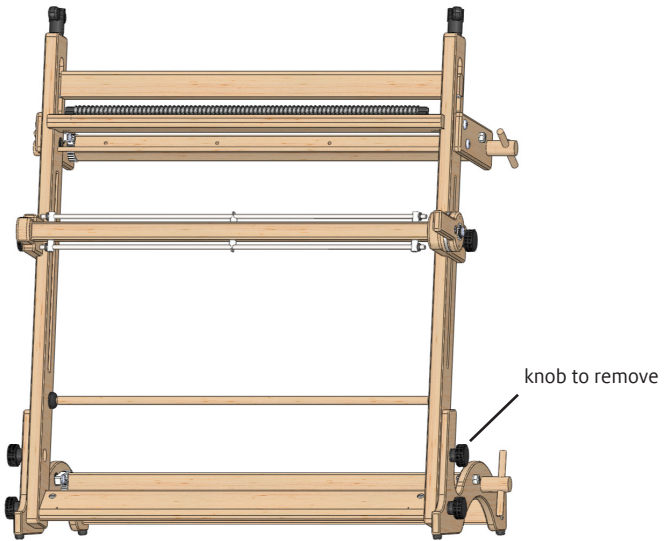


FIGURE 8: REMOVE KNOBS FROM LOOM WITH BEAM KIT

9. Identify the right and left mounting plates: the inner sides have wide grooves and the outer sides have guides attached to them. Set the left mounting plate on the inner side of the loom left upright, with the rounded end at the back and the slanted edge at the front resting on the loom's bottom beam (Figure 9).
10. Insert a 1/4-20 x 2-1/4" Phillips truss head machine screw through a

T-nut slide. For a loom with no beam kit, add a 3/8" USS washer, then insert the screw through the loom leg slot (Figure 10A). For a loom with a beam kit, insert the screw through the upper hole of the base, then through the mounting plate (Figure 10B). Secure the screw with a 1/4-20 plastic wing nut. Attach the right mounting plate to the right upright in the same way.

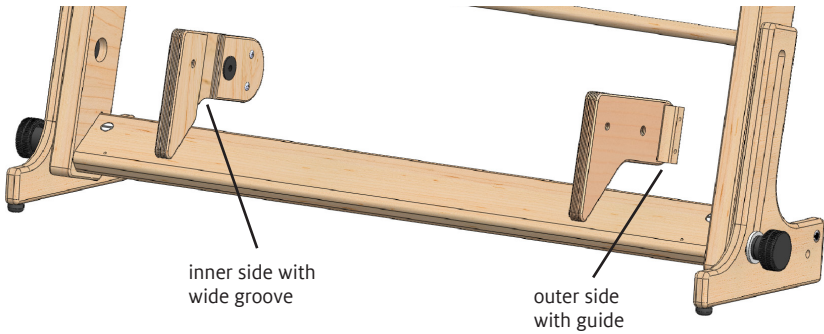


FIGURE 9: IDENTIFY MOUNTING PLATES

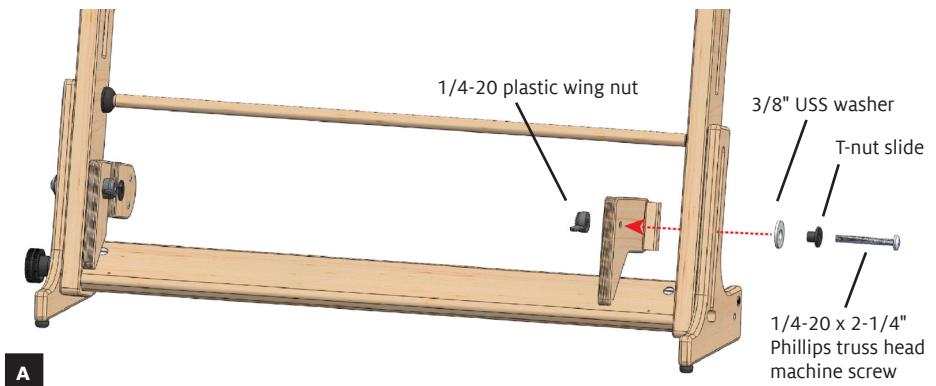


FIGURE 10: ATTACH MOUNTING PLATES TO LOOM

11. Place the loom on the stand: the stand legs fit between the guides on the mounting plates and the loom uprights or beam kit bases, as shown in Figure 11. Insert a knob with a 1-1/4" shaft through the slot in the stand leg, then screw it into the mounting plate. Repeat on the other

side of the loom. To adjust the height of the loom, loosen only these knobs, reposition the loom, and then tighten the knobs.

12. At the bottom of the Stand, fully tighten the screws holding the stand legs to the treadle support.

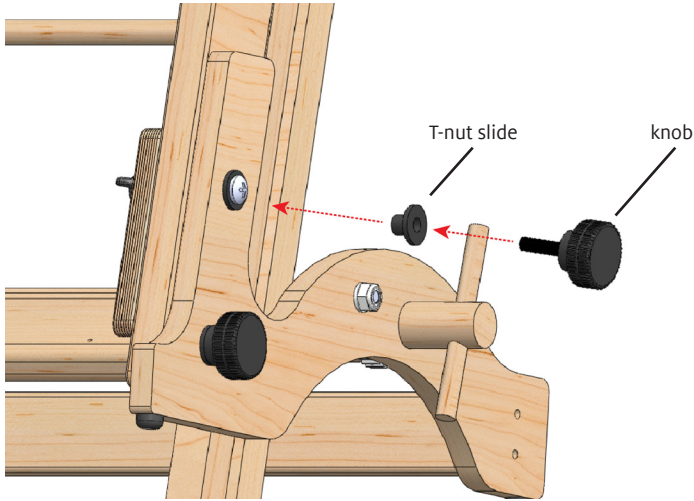


FIGURE 11: ATTACH MOUNTING PLATES TO STAND

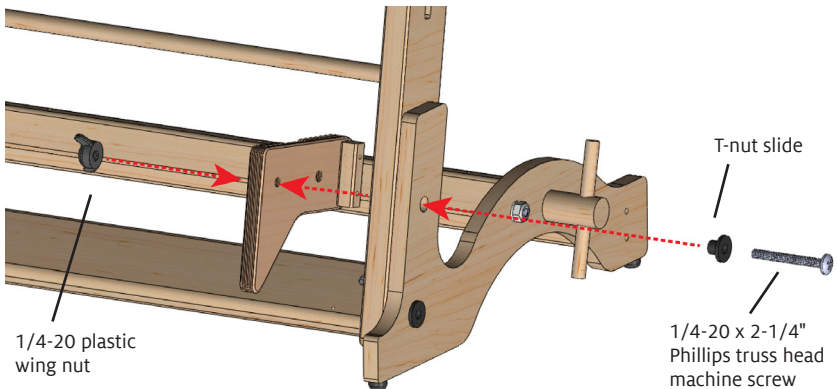


FIGURE 10: ATTACH MOUNTING PLATES TO LOOM

B

USING THE ARRAS STAND

Folding the Stand legs: Remove the plastic wing nuts and screws holding the fold-up supports to the rear legs. Move the fold-up supports out of the way, then reattach the wing nuts and screws into the rear leg holes for storage. The legs will not fold up completely, but the Stand's depth will now equal the loom's depth.

Adjusting loom height: Loosen only the knobs on the Stand legs (attaching the mounting plates). You may also need to loosen the wing nuts on the mounting plates. Reposition the loom, then tighten the knobs and wing nuts.

Removing the Arras Loom from the Stand: Unscrew the knobs on the Stand legs (attaching the mounting plates). If you want to use the Loom on a table top, reattach the leg extensions with knobs removed in Step 7.

Mounting plates will not interfere with weaving, but they will prevent the leg extensions from folding up for travel. If you want to remove the mounting plates, reverse Steps 9 and 10. ■

