

15" Cricket Trap™



You'll need a #2 Phillips screwdriver.

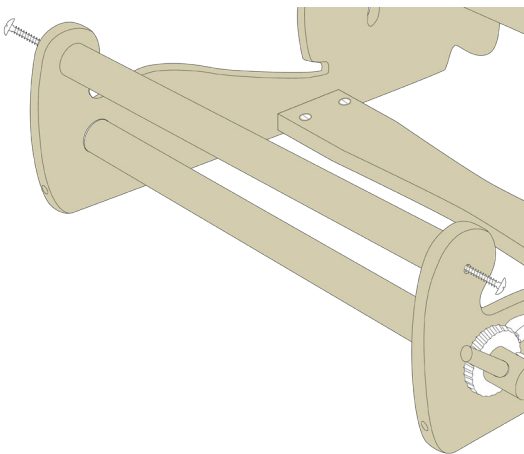
1. Slide dowels through the sleeves of the trap cloth.
2. Attach trap sides to ends of the dowels with four #6 x 1-1/4" Phillips truss head sheet metal screws.
3. On your Cricket, loosen the screws for the front beam, making a gap of 3/4" between screw heads and loom sides.
4. Fit the trap sides into the gaps, with the screw shafts going into their slots. Tighten the front beam screws.



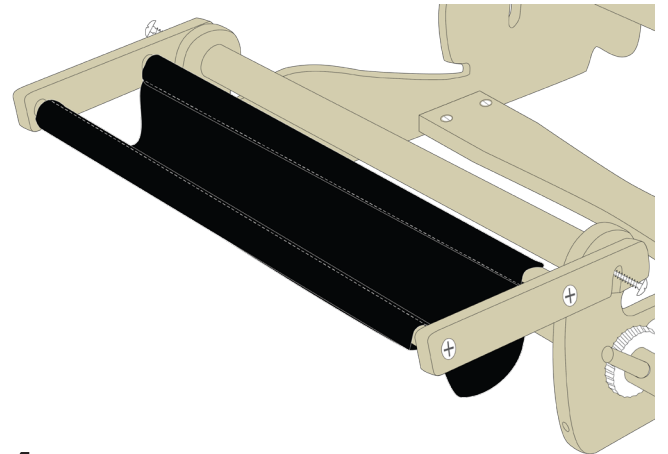
1



2



3



4



Find out more at schachtspindle.com
Schacht Spindle Company 6101 Ben Place Boulder, CO 80301
p. 303.442.3212