



Baby Wolf – Comby 8

Assembly Instructions

SCHACHT SPINDLE CO. INC.
6101 Ben Place
Boulder, Colorado 80301 USA
303-442-3212

BABY WOLF-COMBBY 8
Assembly Instructions

Unpacking the Comby 8

1. Pull open one end of the box and pull the Comby out. Remove all of the packing material except the wrapping in the middle of the Comby castle.
2. Remove all of the parts from the castle and open the small box which contains items you need for assembling the Comby.
3. Loosen screws (A) 1/2 turn on the front and rear of each side of the Comby castle crossbrace (1).
4. Pivot the right castle side (2) down until it is vertical and secure it with the 1 1/2" flat head screw at hole (B). Pivot the left side down and secure it. Be sure to tighten screws (A) as well.

PLEASE NOTE: If you have a height extender on your loom, you must have special Comby-8 height extender treadles. If you did not receive them, please contact the factory.

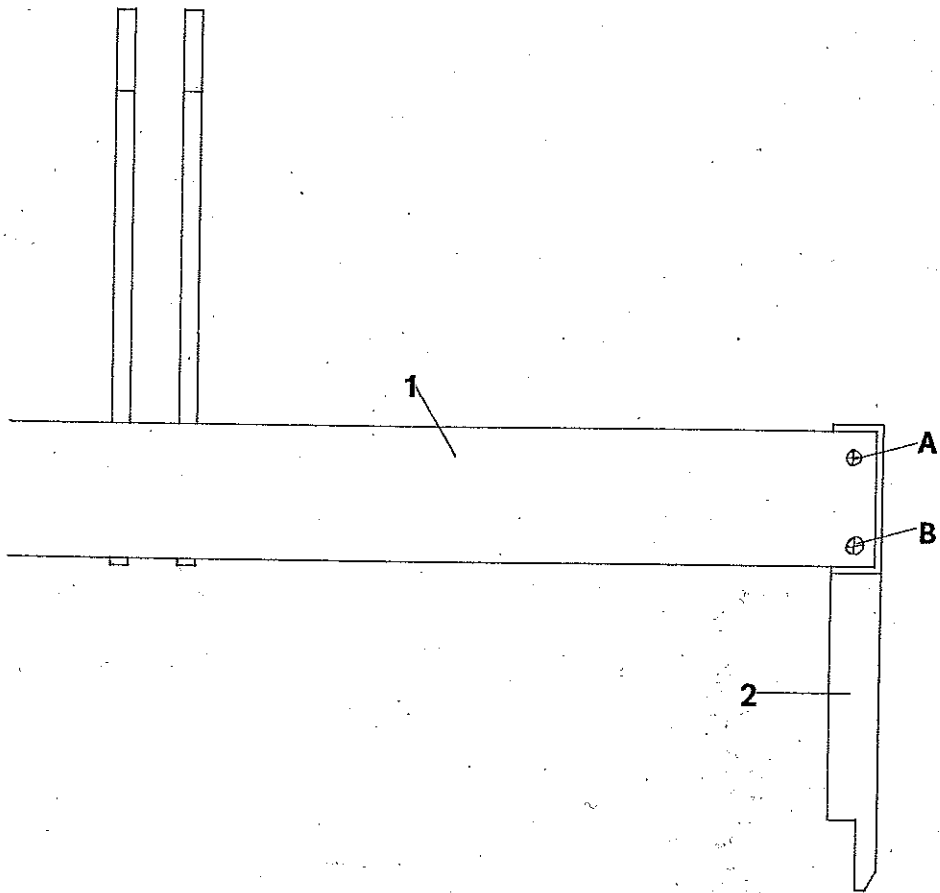
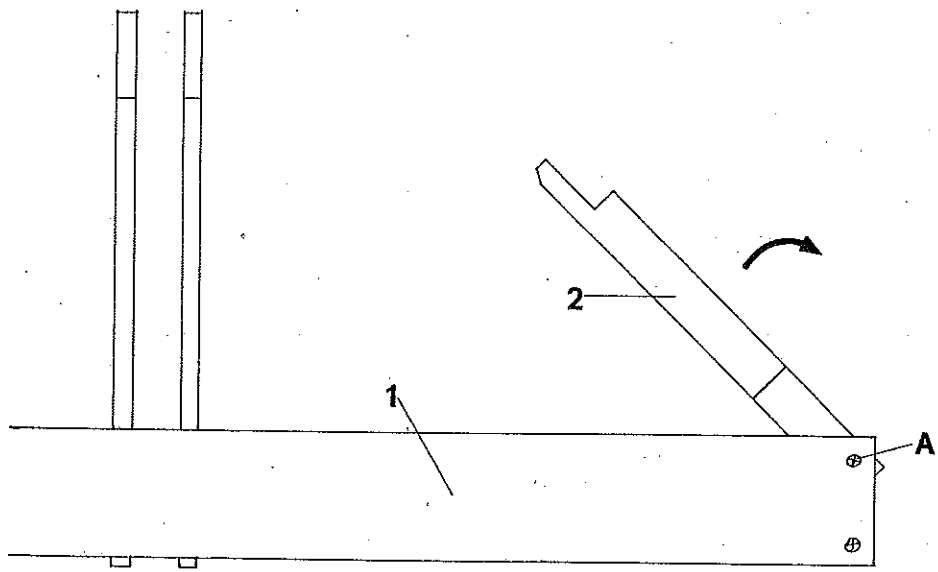


Figure 1 & 2

1. Remove the small hex nuts (N) which secure the jack pins (JP) to the bottom of the harnesses (2). Allow the jack pins to rotate down. Save these hex nuts as you will be reusing them later.
2. Slip the open end of the jack retainer (A) through the space between the aluminum jack (3) and wood jack (4) parts from the back to the front of the loom.
3. Attach the front of the jack retainer (1) using 1" screws.
4. If your looms serial # is 101590-1 or later (serial # refers to date made 10-15-90) you can skip this step because your harnesses already have holes drilled in the tops. For looms with serial numbers before 101590-0, pull the harnesses up and out of the castle, turn them upside down and put them back in the castle. Just let the jack pins rotate down and remain there. Be sure all the holes in the center of the harnesses are on top. Also make sure all the heddle bar hooks (52) line up.

IMPORTANT

PUT ALL YOUR HEDDLES ON THE HARNESSSES BEFORE ATTACHING THE COMBY 8. IN FACT IT'S A GOOD IDEA TO ANTICIPATE THE MOST HEDDLES YOU WOULD EVER PLAN TO USE AND PUT ENOUGH HEDDLES ON EACH HARNESS AT THIS TIME. IT IS POSSIBLE TO ADD HEDDLES LATER BUT YOU WOULD NEED TO REMOVE THE COMBY 8 TO DO THIS.

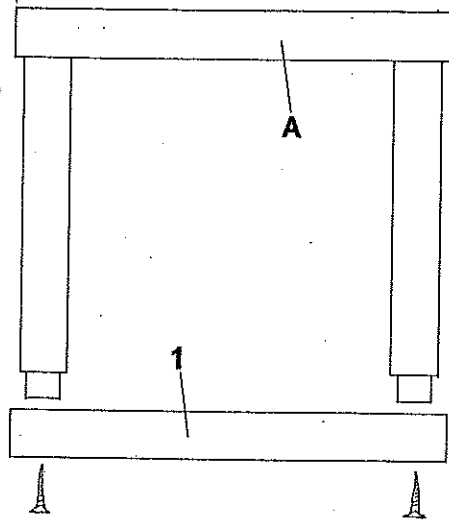
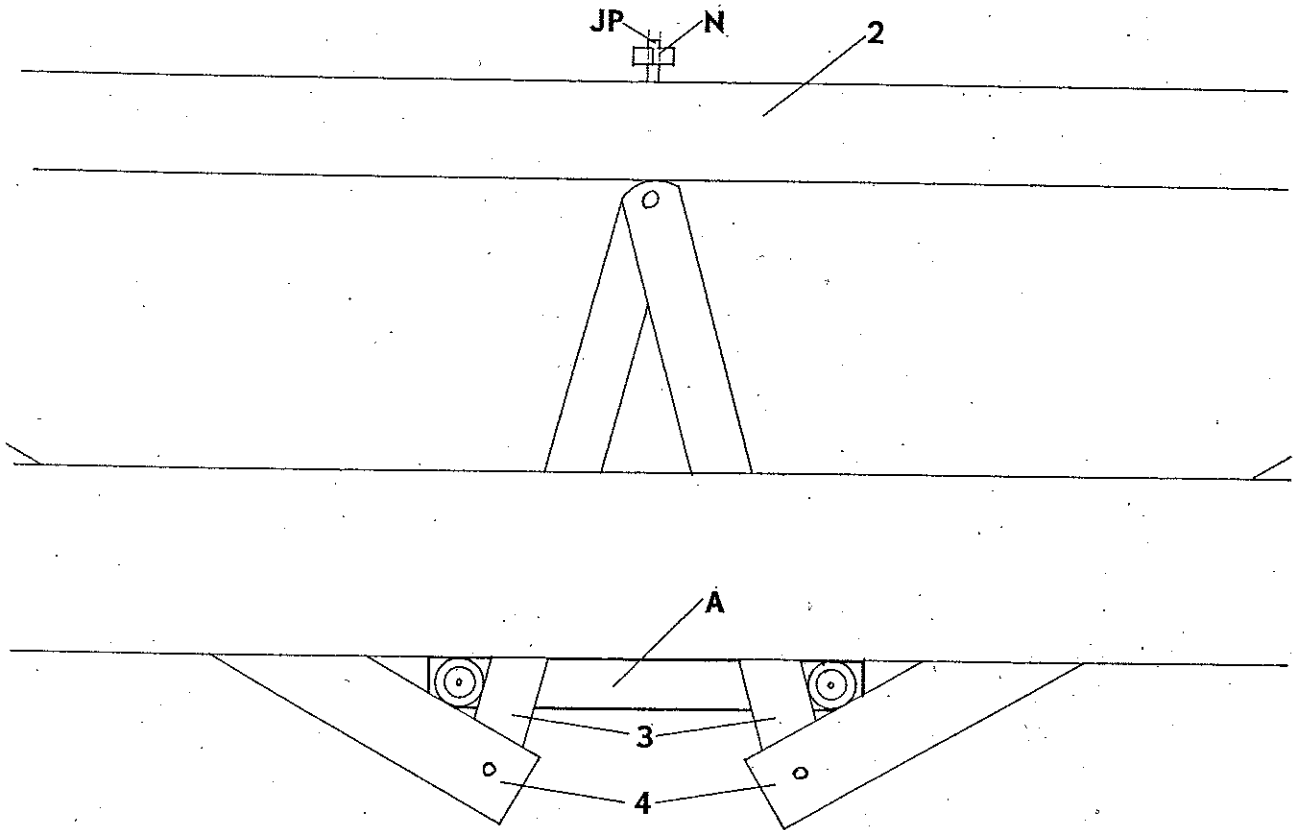


Figure 1



As viewed from the front of the loom.

Figure 2

Figure 3 & 4

1. Detach the brake string (1) from the brake pedal (2).
2. Unscrew bolts A & B and remove the treadle assembly from the loom. You will need to spread apart legs 3 & 4 slightly.
3. Pull the aluminum rod out of the treadles (5) and treadle supports (6). You can leave the brake pedal on the rod. You may have to slightly loosen screws C,D,&E which secure the treadle supports to make it easier to pull out the rod. Put these treadles aside.
4. Arrange the Comby 8 treadles (7 & 8) and old spacers (9) and new spacers (10) as illustrated and reassemble the treadle assembly to the loom. Be sure to retighten screws C, D, & E. Remember, if you have a height extender on your loom, you must have the special Comby-8 height extender treadles.

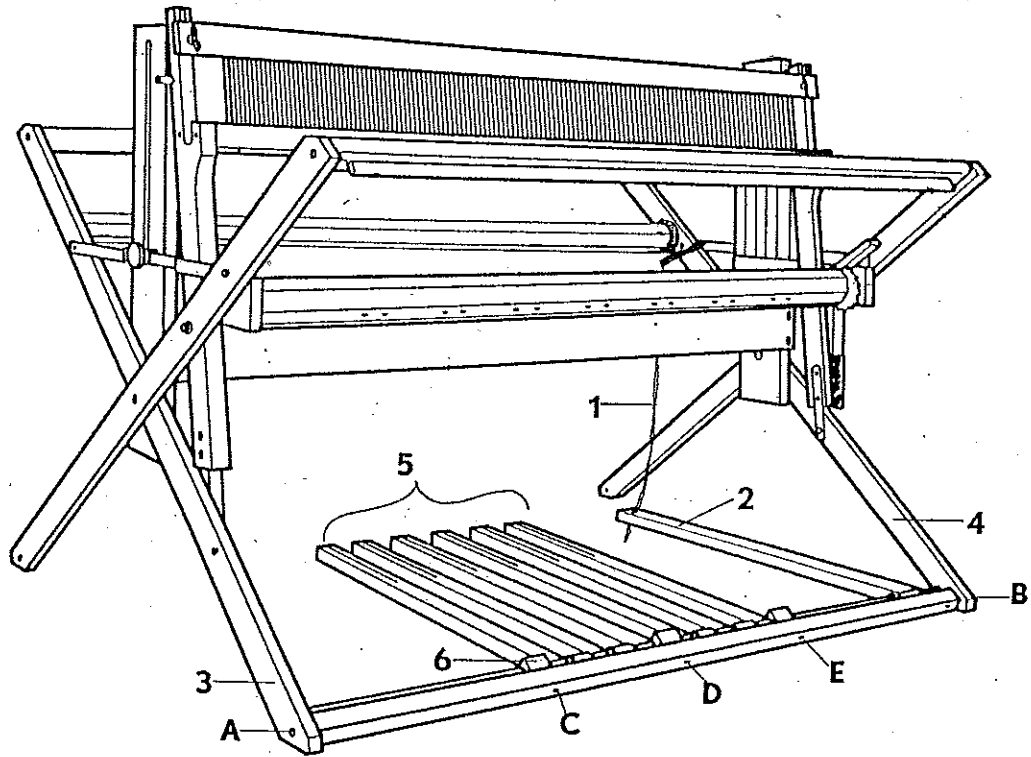


Figure 3

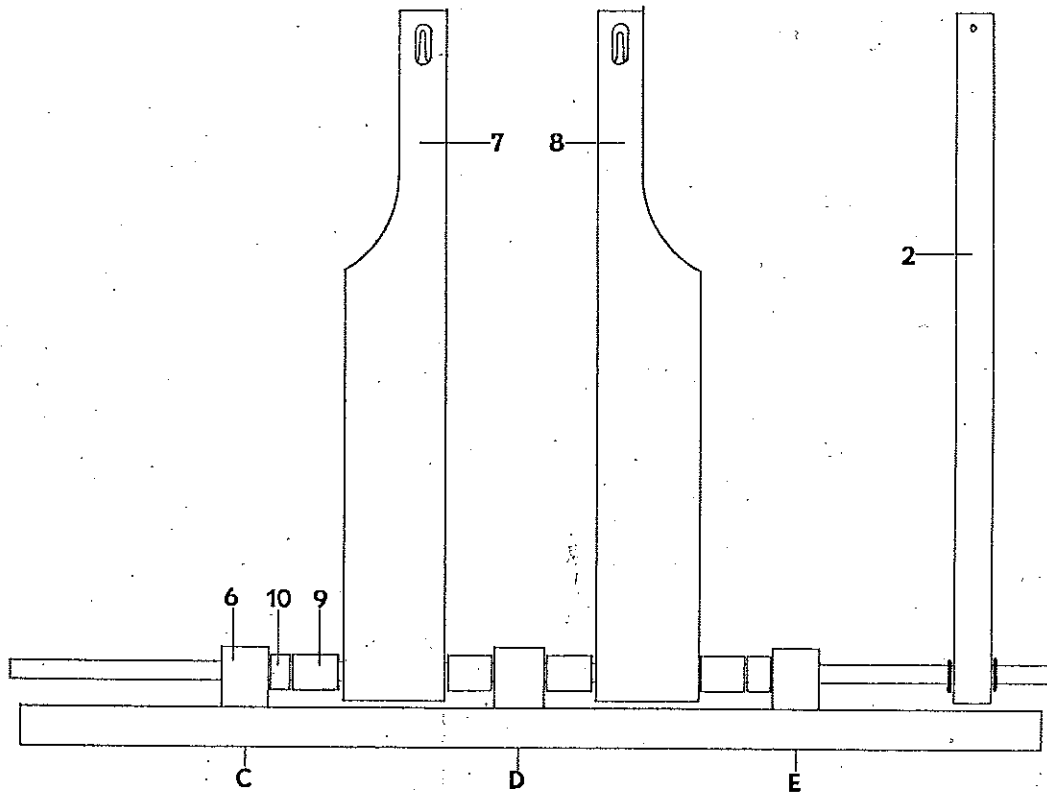
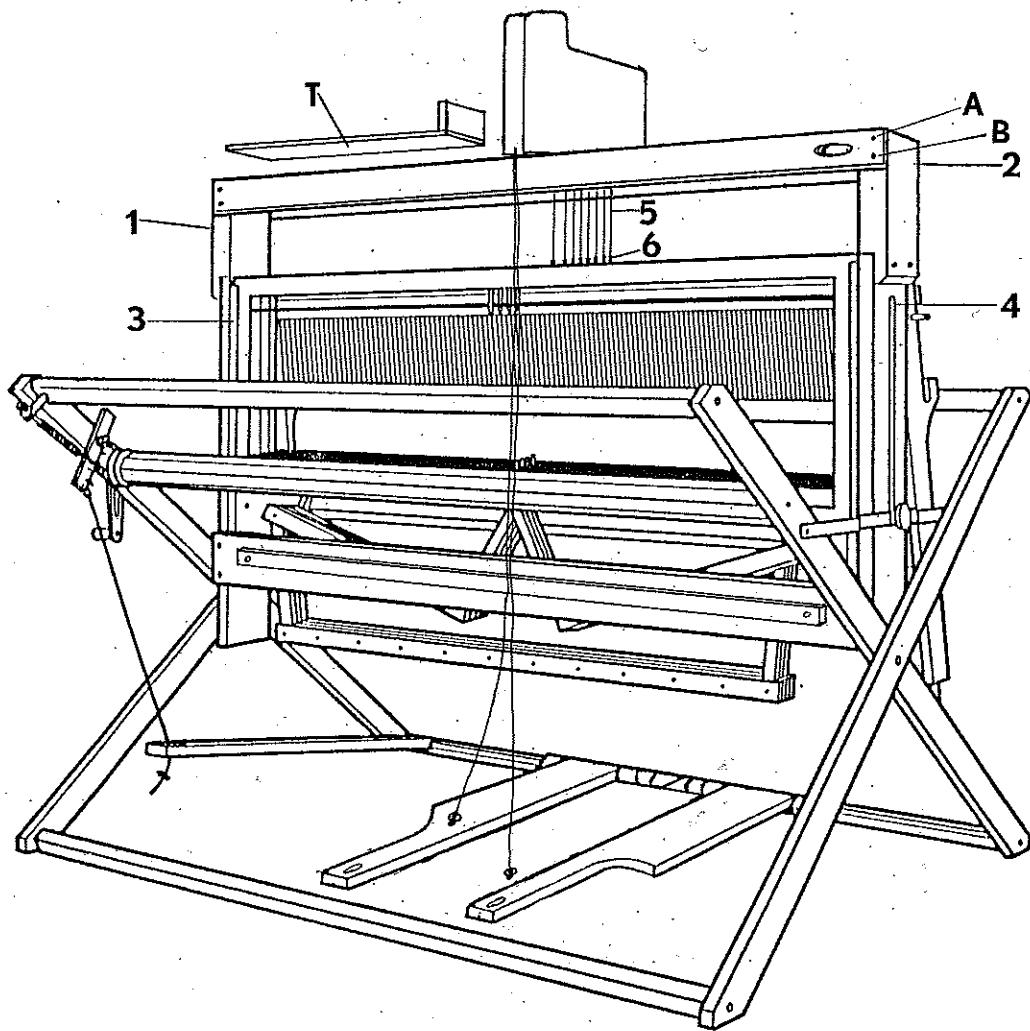


Figure 4

Figure 5

Do not remove the plastic wrapping or tape from the center Comby 8 assembly yet.

1. Place the Comby high castle assembly on the loom castle sides (3 & 4). You may need to spread the high castle sides (1 & 2) slightly to have it fit down on the loom. The tall part of the Comby goes towards the rear of the loom. Align the front and rear of the high castle sides so they fit the loom castle side perfectly.
2. Using the holes in the Comby high castle sides as a guide drill 1/8" holes 5/8" deep into your loom castle sides. Secure the high castle with the 1" flat head screws that are provided.
3. Now tighten the screws (A) & (B) on the front and rear of both the right and left side of the Comby castle crossbrace.
4. Remove the wrapping or tape from the center of the Comby 8 assembly. The dobbie hooks (5) and hook bolts (6) will now fall down onto the harnesses. You may need to gently twist or turn some of them to get them to come down.
4. Take the first hook bolt and slip it into the hole in the first harness. Do the same for the second through eighth hook bolts.
5. Do not do this step until you have completed orienting the dobbie hooks as follows in figure 6, step 2. Place the castle tray (T) in the Comby high castle.

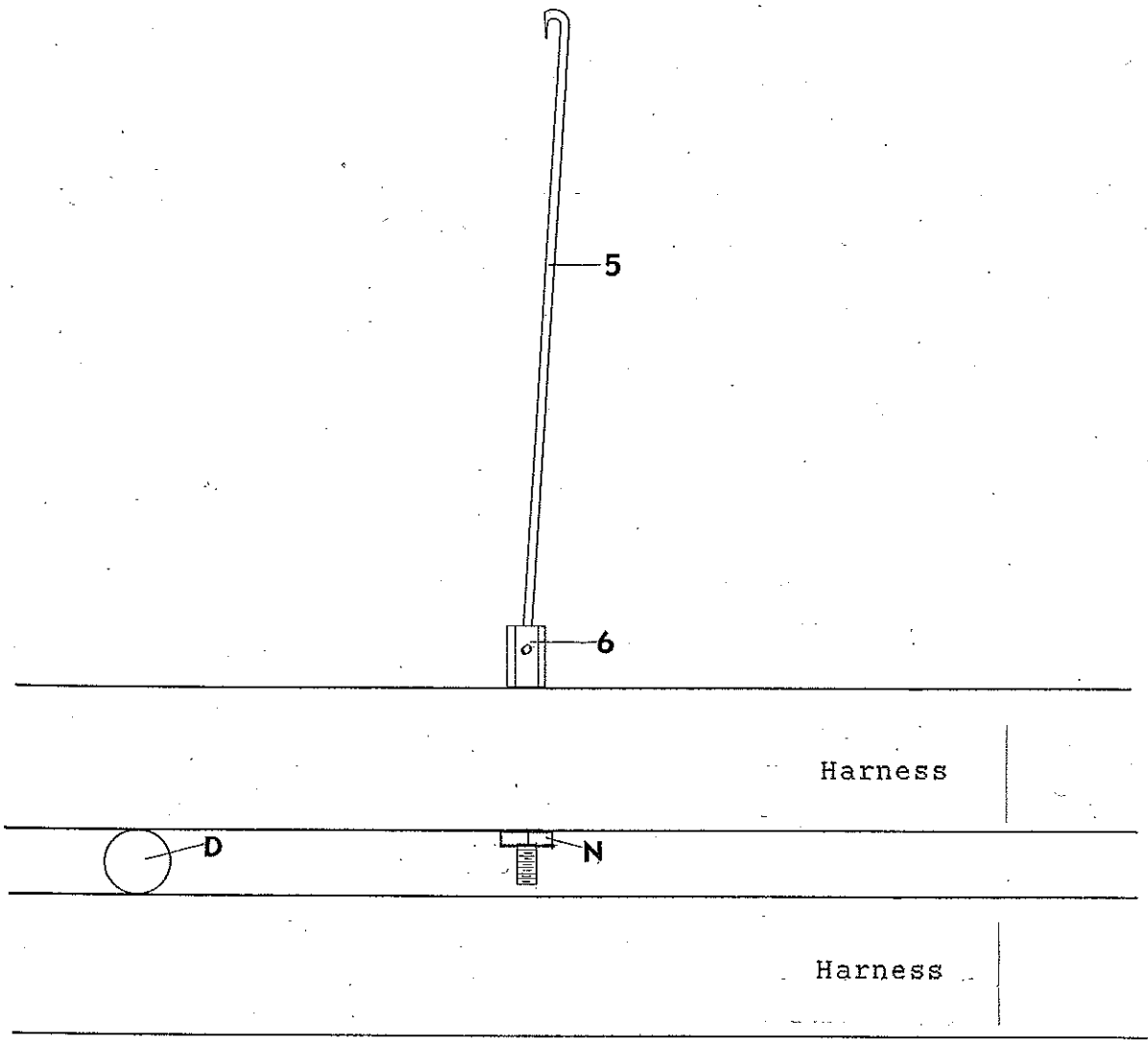


As viewed from the rear of the loom.

Figure 5

Figure 6

1. Secure each of the dobbie hook bolts (6) to the harnesses with the #8 lock nuts (N) which you removed from the jack pins. It's easier to attach the nuts to the hook bolts of the 2nd through 7th harnesses if you raise the harness up and stick the 7/8" dowel (D) provided between the top of the raised harness and the tops of the other harnesses. Make the nuts finger tight.
2. You need to orient the dobbie hooks (5) to face the left side of the loom. Work on one hook at a time. Use the 11/32 " wrench provided and tighten the nut (N). Hold the top of the hook bolt with the 5/16" wrench provided to prevent it from turning while you tighten the nut. Tighten all of the nuts.
Occasionally check to be sure these nuts are tight and that the hooks are correctly alligned. They may loosen with use and with weather changes, particulary during Fall and Winter when the indoors gets so dry from heating.
3. Dobbie hook alignment is critical to good loom performance. To check for perfect hook alignment, look at the top of the hooks from the right side of the loom. Also look down at the hooks from above the Combbby. Use the 5/16" wrench to turn the dobbie hook bolts until the hooks face properly.

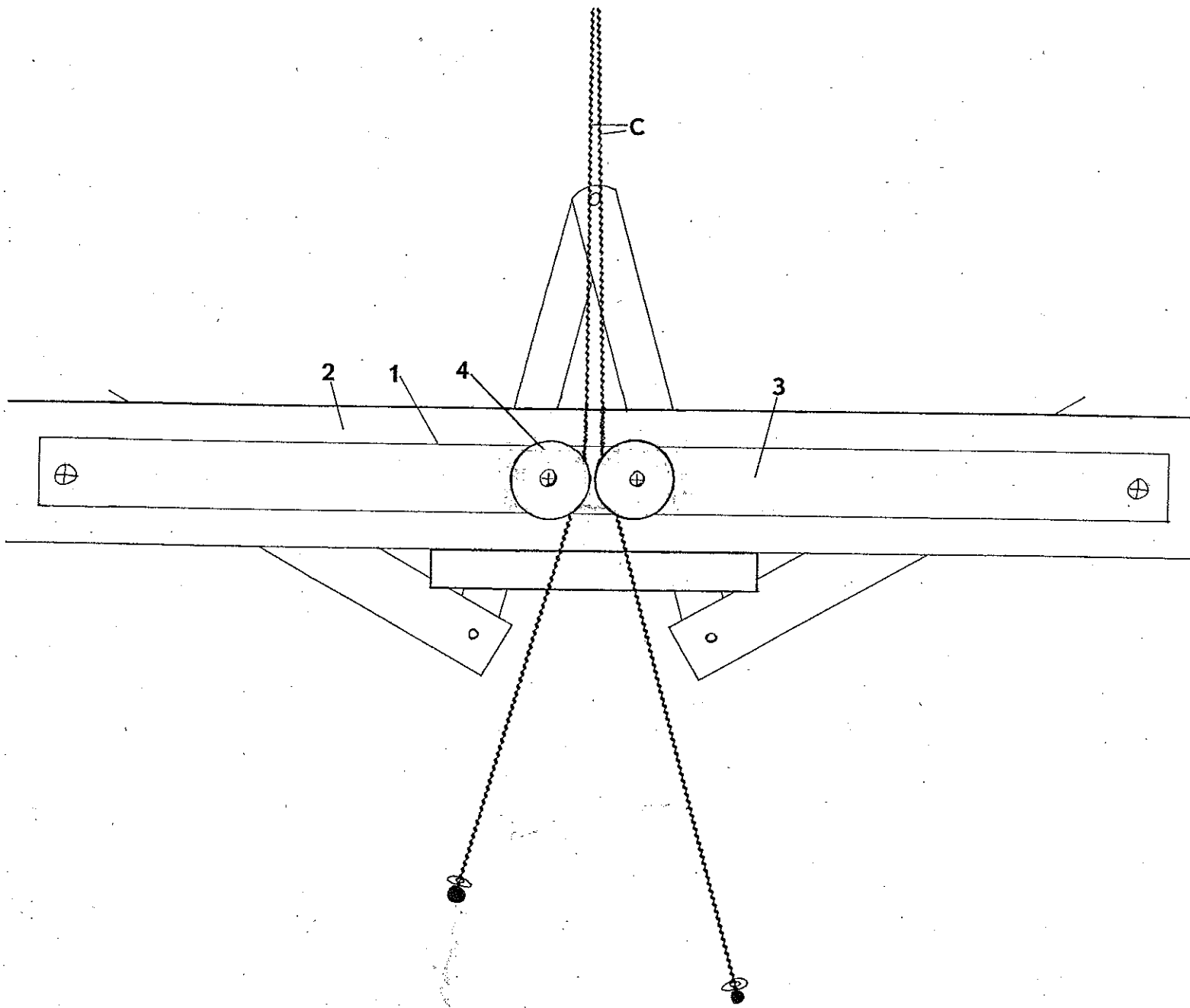


As viewed from the front of the loom.

Figure 6

Figure 7

1. Remove the treadle-aid bar (1) from the lower rear crossbrace (2). Replace the treadle-aid bar with the treadle pulley bar (3). If your loom did not have a treadle-aid bar, position the treadle pulley bar in the middle of the lower rear crossbrace and drill 1/8" holes and secure it with the 1 1/4" flat head screws.
2. Remove one of the pulleys (4) from its holder. Take the two cables (C) from the Comby and place them next to the other pulley. Reattach the pulley you removed. The cables should now be captured between the two pulleys. When warping from back to front it will be helpful to you to remove one of the pulleys and move the cables out of the way to allow you to spread your warp across the rear of the loom. After the loom is warped thread the cables down through the center of the warp and reattach the pulley. It is not necessary to do this when warping from the front to the rear.
3. Slip the ball and washer ends of the cables into the clips on the pedals. Be sure the washer is also inside the clip. The shorter cable is used to lift the harnesses. The longer cable is the return. You can change which cable goes to which pedal by just slipping them out of the clips and switching them.



As viewed from the rear of the loom.

Figure 7

ATTACHING THE CABLE AND POWER

1. If your Comby 8 is the LIPS version (IBM & compatibles) attach the computer cable provided to the parallel port of your computer. Feed the cable through the slot in the rear of the Comby castle and attach it to the Comby 8.

If your Comby 8 is the SLIPS version (Macintosh) attach the computer cable provided to the modem port of your computer.

2. Plug the transformer into an outlet or extension cord. Feed the other end through the slot in the rear of the Comby castle and plug it into the Comby 8's black electronic box. Unplug the transformer or the extension cord to which it is attached from the outlet when not using the Comby 8.

WARNING; If, for any reason, you have to open the Comby 8's black electronic box be sure to first unplug the transformer and the computer cable.

3. Turn on the power switch. When the switch is first turned on, some of the solenoids may click.
4. Bring up your software on your computer and put it into the weave mode.
5. The black button on the front of the loom is what we call the gear switch. By pressing it once it reverses the direction your weaving moves through the pattern. By pressing and holding it, it allows you to repeat a pick.

TREADLING THE COMBY-8

When treadling the Comby, keep one of your feet on each of the treadles. The up treadle is the one that activates the harness selection and lifts the harnesses. When you first step on it, the computer signals the Comby to select the harnesses to be lifted. As you continue to push it down, it lifts the harnesses. Once you start to push this treadle down, the other treadle will raise. Keep your other foot on the rising treadle and after you have thrown your shuttle through the shed, push this treadle back down. As this treadle comes back to its resting position, it resets the switch for the next lift.

If you are using the height extender with your loom, you must have the special Comby-8 height extender treadles or the switch will not engage.

Remember, you can switch the cables (C, Figure 7) so that either the right treadle or the left treadle is the "up" treadle.

BABY WOLF COMBBY 8 PARTS LIST

1-transformer
1-male/male computer cable
1-jack retainer (unassembled)
1-7/8" x 6" unfinished dowel
1-treadle pulley bar with pulleys
2-Comby treadles with cable clips
2-wood treadle spacers
8-8.32 lock nuts
4-#8 x 1 1/2" flat head screws
6-#8 x 1 1/4" flat head screws
6-#8 x 1" flat head screws
1-5/16" wrench
1-11/32" wrench
1-set of instructions