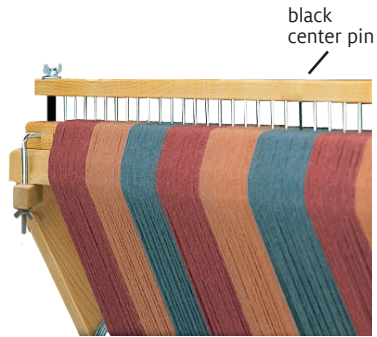


WW7200 WW7203
 WW7201 WW7204
 WW7202 WW7205
 WW7206

RADDLE & WOLF RADDLE

ASSEMBLY



RADDLE



WOLF RADDLE

PARTS

raddle base with pins installed every 1"
 raddle top, attached with
 2X 1/4-20 wing nuts
 2X 1/4" USS washers
 2X 1/4-20 x 3" Phillips flat head
 machine screws
 2X nylon spacers

ALL RADDLES

2X clamp blocks
 2X L-pins
 2X 1/4-20 wing nuts
 2X 1/4" USS washers

WOLF RADDLES ONLY

2X U-brackets with posts
 2X long rubber bands

TOOLS REQUIRED

#2 Phillips screwdriver (Wolf raddles only)

EXTRA PINS INCLUDED

Wolf Pup and 20"	19 pins
Baby Wolf and 26"	27 pins
Mighty Wolf	36 pins
up to 40" warps	40 pins
up to 48" warps	48 pins

ASSEMBLY

ADDING RADDLE PINS

The holes for the pins have been pre-drilled at 1/2" intervals, and pins are inserted in half of the holes to make 1" intervals. The center pin has been painted black to mark the center of the raddle.

If you prefer 1/2" intervals, install the extra pins in the empty holes. Remove the wing nuts and washers securing the raddle top (Figure 1). Lift off the top and place the raddle on a sturdy surface such as kitchen counter. Gently tap pins into the holes of the raddle base with a hammer. Replace the raddle top.

CLAMPING TO A SQUARE BEAM

Center the raddle on the square back beam or shuttle race of the loom. Insert the non-threaded end of each L-pin into a hole in the raddle bottom. Slide a clamp block over the threaded end of L-pin, then a 1/4" USS washer and a 1/4-20 wing nut. Tighten the wing nuts to secure the raddle to the beam (Figure 2).

ATTACHING TO WOLF LOOMS WITH OVAL BEAMS

U-brackets and rubber bands hold the raddle on the oval back beam of Wolf looms.

1. Remove the wing nuts and washers from the top of the raddle. Remove the raddle top (Figure 1).
2. Using a #2 Phillips screwdriver, remove the nylon spacers and 1/4-20 x 3" Phillips flat head machine screws at each end of the raddle bottom (Figure 1).
3. Set the posts of each U-bracket into the holes for the machine screws, with the longer sides of the bracket on the same side of the raddle (Figure 3).
4. Place the brackets and raddle onto the rear oval beam of your Wolf loom, with the shorter end of the U-bracket at the back of the loom (Figure 3).
5. On the outer side of each U-bracket, wrap a long rubber band around the post, under the oval beam, and back around the post. ■

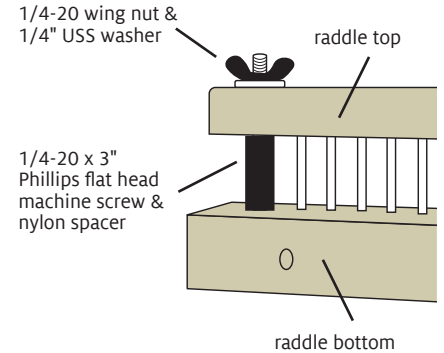


FIGURE 1: RADDLE PARTS

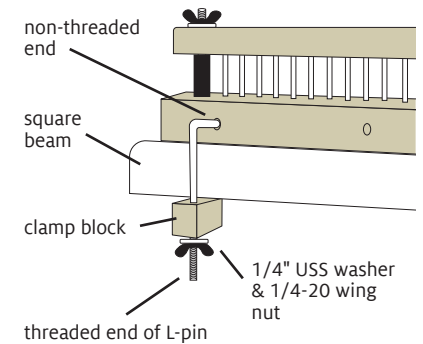


FIGURE 2: CLAMPING TO SQUARE BEAM

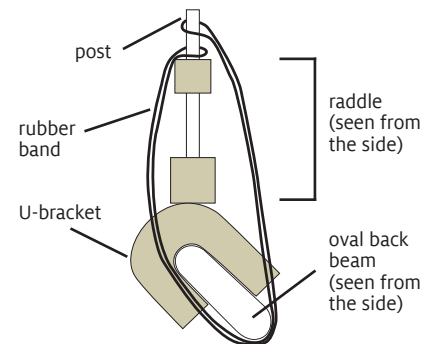


FIGURE 3: ATTACHING U-BRACKETS



Find out more at schachtspindle.com
 Schacht Spindle Company 6101 Ben Place Boulder, CO 80301
 303.442.3212