

POP-A-SHOT®

SUPER SLAM OVER THE DOOR

ASSEMBLY INSTRUCTIONS



Model: PASOTD23 REV 8/22/23



support@popashot.net



www.popashot.net

The Fine Print

Warranty

As described in and as limited by this Warranty, Pop-A-Shot Enterprise, LLC (the "Company") warrants this product to be free from defects in workmanship and materials for a period of 90 days from the date of original purchase. The term defects shall mean any imperfections that impair the use of the product. The company reserves the right to request confirmation of proof of purchase when requesting parts or service in order to confirm that this product is within its warranty period and terms.

What is Covered:

Just about everything, but mainly defects in materials and workmanship. This warranty is void if the product is:

- Damaged through improper usage or storage, negligence, misuse, abuse, transportation damage, acts of nature, or accident (including failure to follow the instructions supplied with the product).
- Used in commercial applications, rentals or a commercial environment.
- Modified or repaired by anyone not authorized by the company.

What the Company Will Pay For:

- If any part or component of the product which is covered by this warranty is found by the company to be defective, the company will provide replacement parts without charge. The company's obligation to repair or replace the product or any portion of thereof, shall be limited to the original purchase price of the product.
- If during the warranty period, the product is found to be defective, the company will, at the company's option, repair, replace or make remuneration for the product (either the same or equivalent value) without charge.

To Obtain Warranty Service:

- You must return the original copy of your sales receipt to the company showing a purchase from an authorized retailer.
- You must email the company's customer service department at support@popashot.net to notify the company of the nature of the problem. Customer service is available Monday through Friday between the hours of 8:00am and 5:00 P.M. CST. At the company's option, replacement parts or a new product (either the same or equivalent value) will be sent to you at no charge.
- If you are instructed to return the product to the company for servicing, you are responsible for shipping the product, at your expense, to the address designated by the company in packaging that will protect against further damage.
- You must also include your name, address, daytime telephone number, product model number, and a description of the problem.
- The company will pay for any shipping charges to return the repaired or replaced product to you.

This warranty gives you specific legal rights, but you may also have other rights that vary from state to state.

If you have questions regarding this warranty or the operation of the product, please email us at support@popashot.net.

Some Warnings



This is not a toy. It is intended for use by or under the supervision of adults. Review all safety guidelines with children to avoid risk of electric shock or other injuries.



No children or pets in assembly area.
CHOKING HAZARD
This item contains small parts. Not suitable for children under 3 years old.



Do not store game outdoors. Game is not designed to play in rain. Wet conditions will affect gameplay, appearance and longevity as well as void warranty.



Do not hang from your Pop-A-Shot. It is not designed to hold your weight.



PLEASE READ THIS PAGE



It'll only take a minute and will save you time!

BEFORE PUTTING TOGETHER YOUR GAME

We strongly recommend scanning the QR code here (or going to www.popashot.net/qr-otd) to visit the Super Slam Over The Door Game Hub. Here you'll find a wealth of resources to get the most out of your game, including:

- 🏀 Registration form. Complete the form and your warranty will be extended an additional 90 days (so you'll be covered for 6 months).
- 🏀 Assembly directions and additional tips.
- 🏀 Troubleshooting help, both for assembling as well as playing your game.
- 🏀 The easiest way to contact our All-Star Support team with any questions.
- 🏀 Links to our social media channels (make sure to follow us!).



DURING ASSEMBLY

Now that you're ready to begin putting together your game, here are a few tips:

- 🏀 Remove all of the parts from the box and verify that you have all of them. Keep an eye out for some of the smaller ones, like the Door Hook Bolts and Washers.
- 🏀 Find a clean, level place to assemble your game.
- 🏀 We recommend working on a soft, non-marring surface such as carpet or the cardboard box your game came in.

If you do have any problems or questions during assembly or operation, please email support@popashot.net and we will take care of them.

WHEN YOU'RE DONE

- 🏀 Please leave a review on Amazon or popashot.net and let others know how you like your game.
- 🏀 Share a video or photo of your home court. Tag us [@popashot](https://www.instagram.com/popashot) on Instagram to be entered to win a T-shirt.



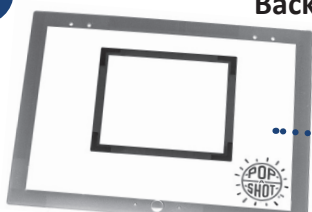
PARTS, HARDWARE & ACCESSORIES

Instruction Part ID#

Part #

Step Used In

1 Backboard



Part Name


Part Image

Part Quantity

OTD371 x1

STEPS 1-3

2 Rim



Part Name

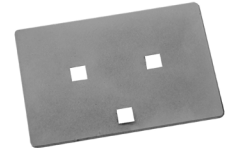
Part Image

Part Quantity

OTD321 x1

STEPS 2-4

3 Rim Plate



Part Name

Part Image

Part Quantity

OTD322 x1

STEP 2

4 Door Hook



Part Name

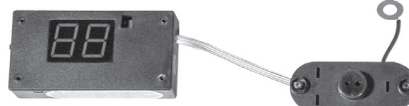
Part Image

Part Quantity

OTD001 x2

STEP 1

5 Scoreboard & Sensors



Part Name

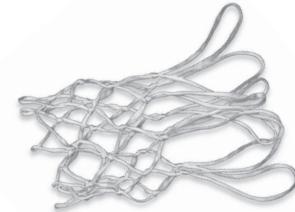
Part Image

Part Quantity

OTD200 x1

PRE-ATTACHED

6 Net



Part Name

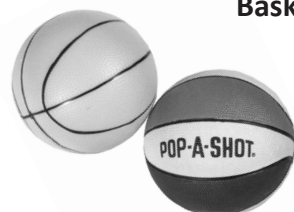
Part Image

Part Quantity

OTD331 x1

STEP 4

7 Basketball



Part Name


Part Image

Part Quantity

OTD0030 & OTD003R x2

STEP 5

8 Rim Bolt



Part Name

Part Image

Part Quantity

OTD027 x3

STEP 2

9 Rim Nut



Part Name


Part Image

Part Quantity

OTD029 x3

STEP 2

10 Electronics Screw



Part Name


Part Image

Part Quantity

OTD004 x6

PRE-ATTACHED

11 Door Hook Bolt



Part Name


Part Image

Part Quantity

OTD002 x4

STEP 1

12 Washer



Part Name

Part Image

Part Quantity

OTD028 x3

STEP 2

INCLUDED TOOLS



Allen Wrench
w/ Phillips
Head

OTD033



Wrench

OTD031



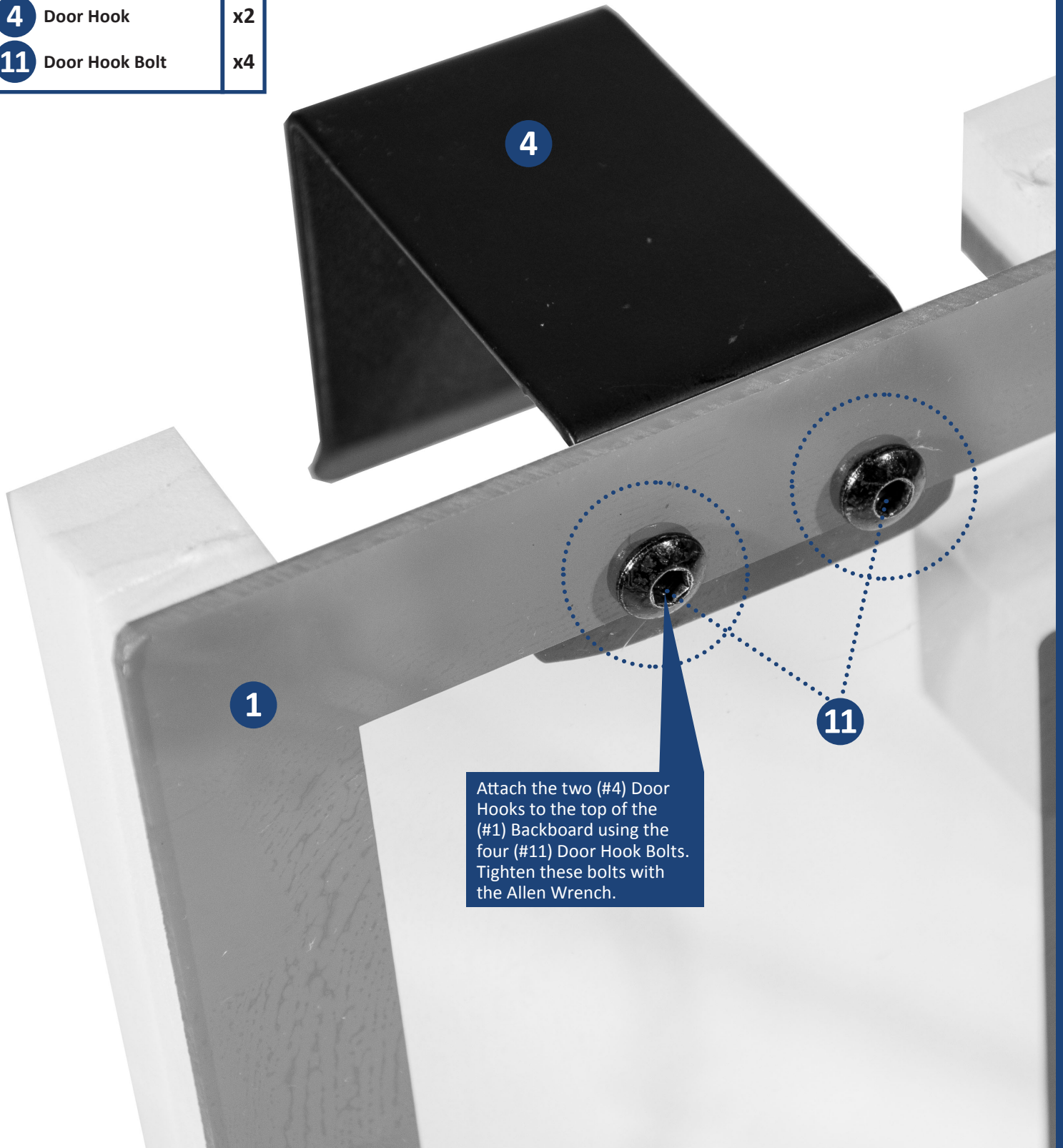
Ball
Pump

PAS340

NOTE:
Needle is
in the handle
of the pump.

STEP 1

ID#	Name	Qty.
1	Backboard	x1
4	Door Hook	x2
11	Door Hook Bolt	x4



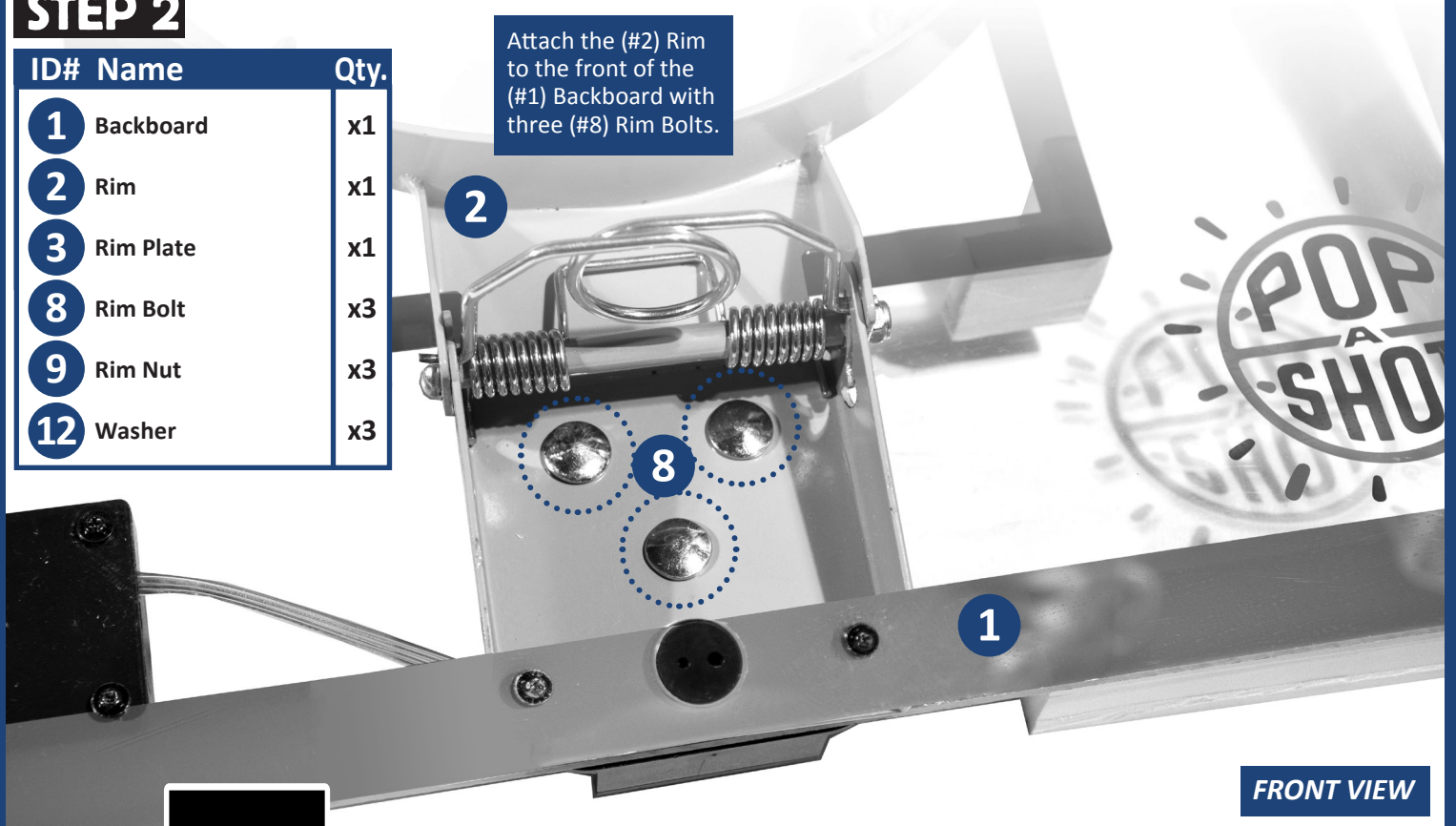
Attach the two (#4) Door Hooks to the top of the (#1) Backboard using the four (#11) Door Hook Bolts. Tighten these bolts with the Allen Wrench.

POP-A-SHOT

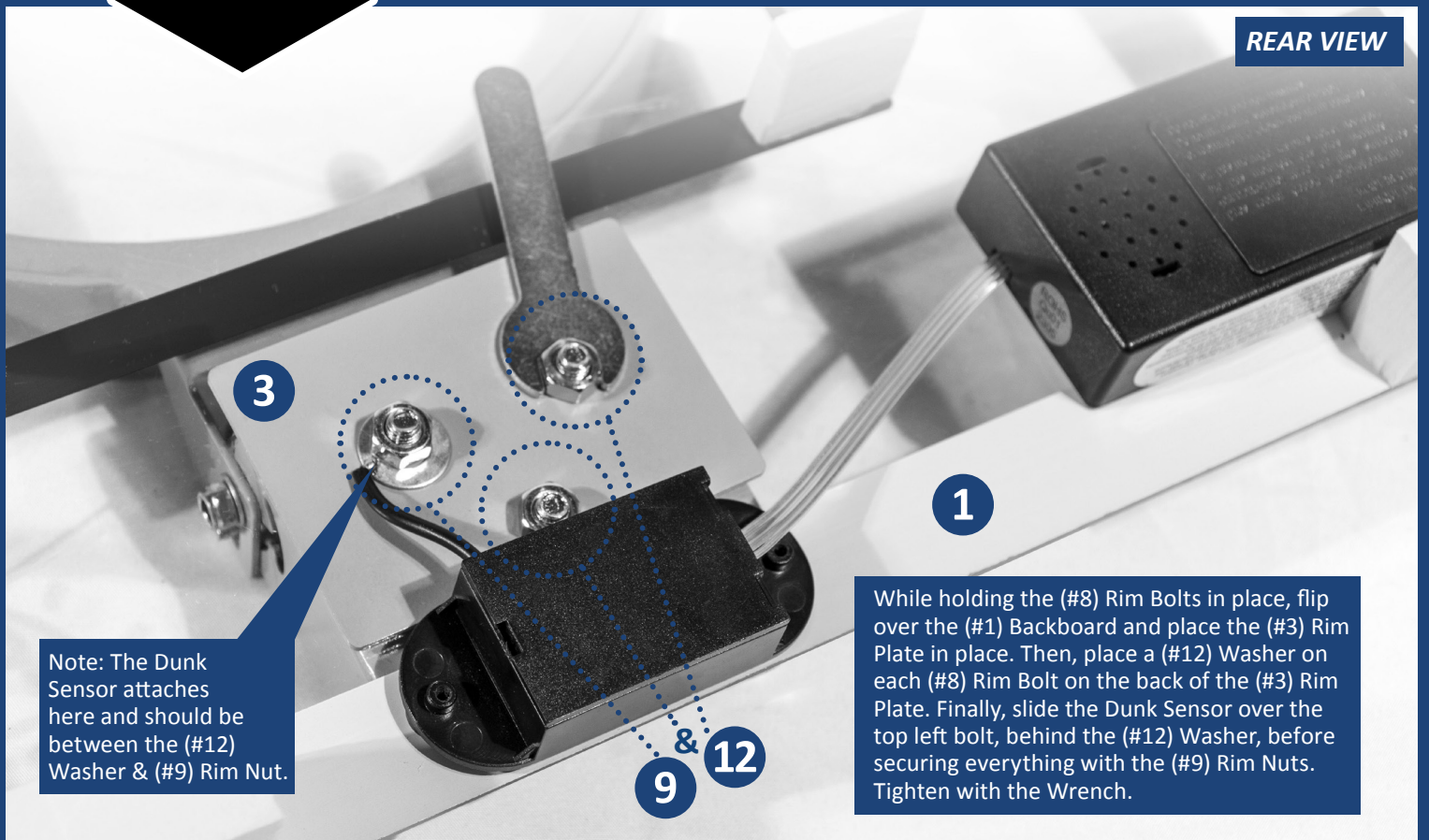
STEP 2

ID#	Name	Qty.
1	Backboard	x1
2	Rim	x1
3	Rim Plate	x1
8	Rim Bolt	x3
9	Rim Nut	x3
12	Washer	x3

Attach the (#2) Rim to the front of the (#1) Backboard with three (#8) Rim Bolts.



FRONT VIEW



REAR VIEW

Note: The Dunk Sensor attaches here and should be between the (#12) Washer & (#9) Rim Nut.

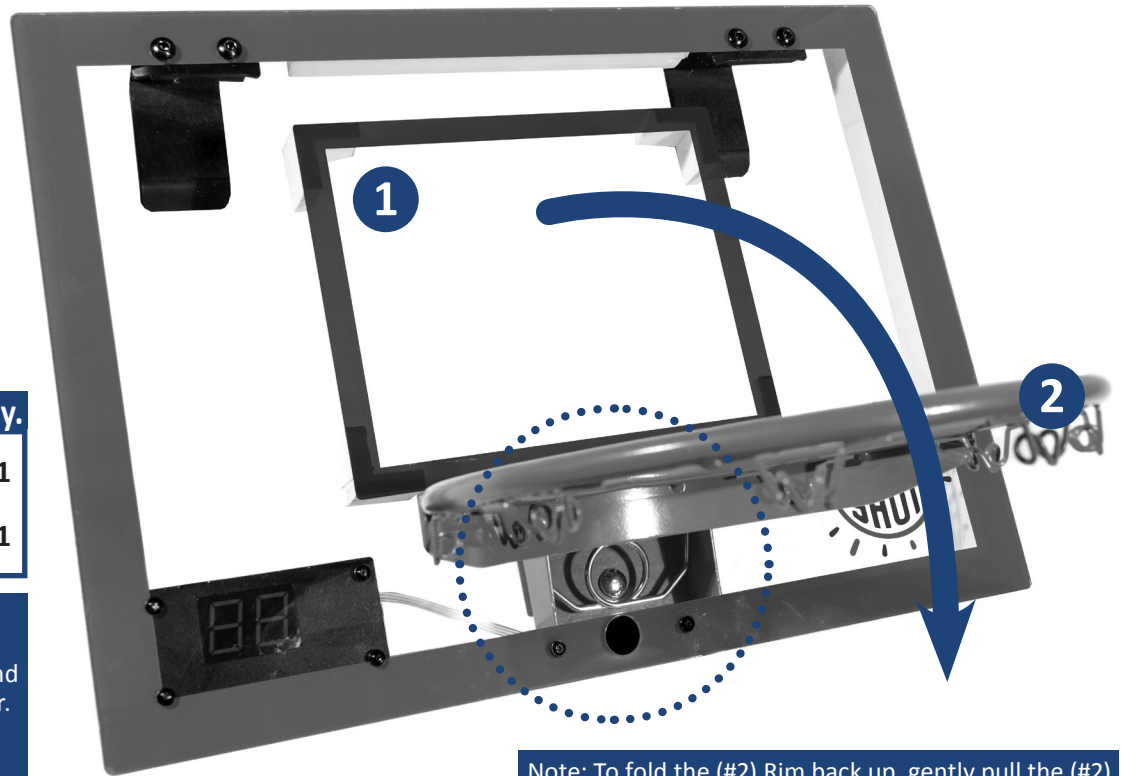
While holding the (#8) Rim Bolts in place, flip over the (#1) Backboard and place the (#3) Rim Plate in place. Then, place a (#12) Washer on each (#8) Rim Bolt on the back of the (#3) Rim Plate. Finally, slide the Dunk Sensor over the top left bolt, behind the (#12) Washer, before securing everything with the (#9) Rim Nuts. Tighten with the Wrench.

POP-A-SHOT

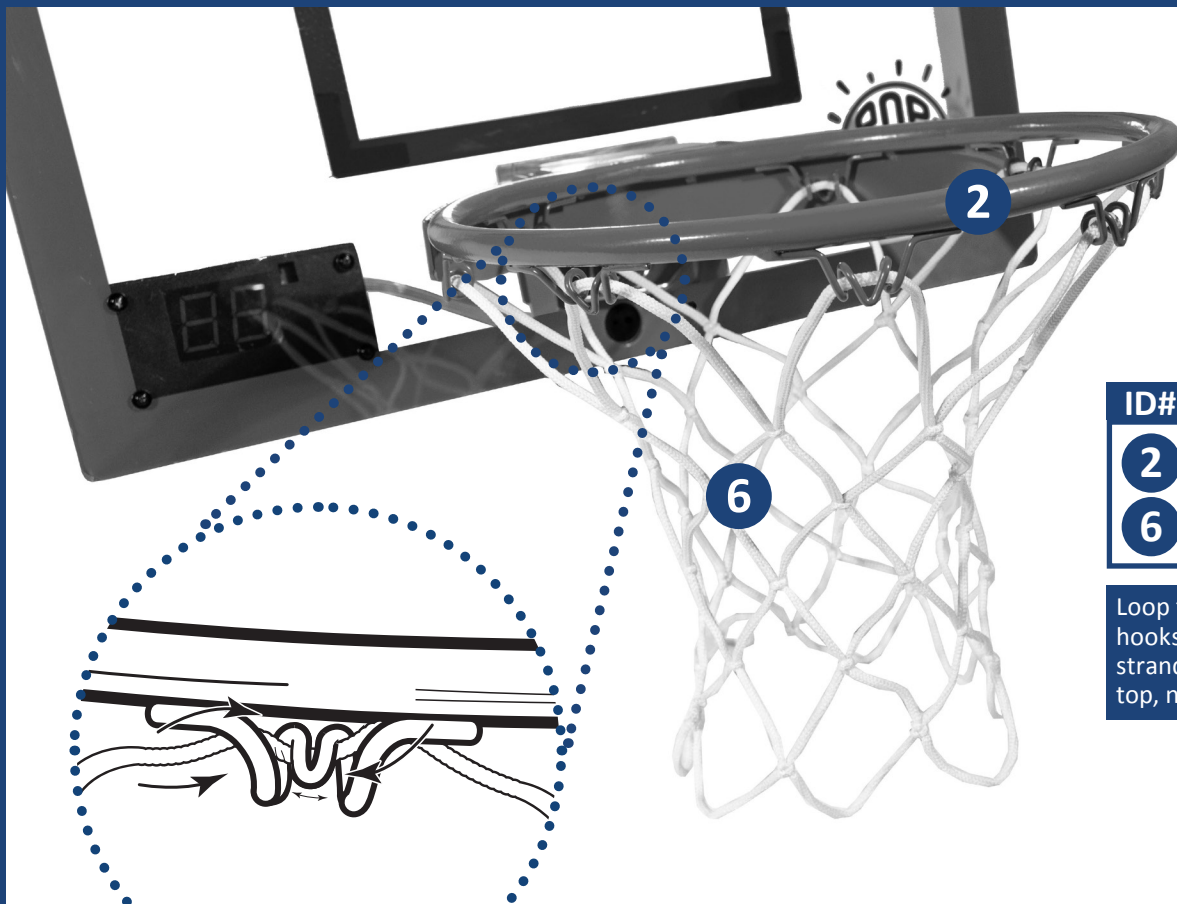
STEP 3

ID#	Name	Qty.
1	Backboard	x1
2	Rim	x1

Gently pull the (#2) Rim down from its folded position by grabbing the front with one hand and the Rim Lock with the other. When the (#2) Rim is level, pull the Rim Lock down so that it is touching the (#1) Backboard.



Note: To fold the (#2) Rim back up, gently pull the (#2) Rim down until the Rim Lock can be pushed upward, allowing the (#2) Rim to return to its "up" position.



STEP 4

ID#	Name	Qty.
2	Rim	x1
6	Net	x1

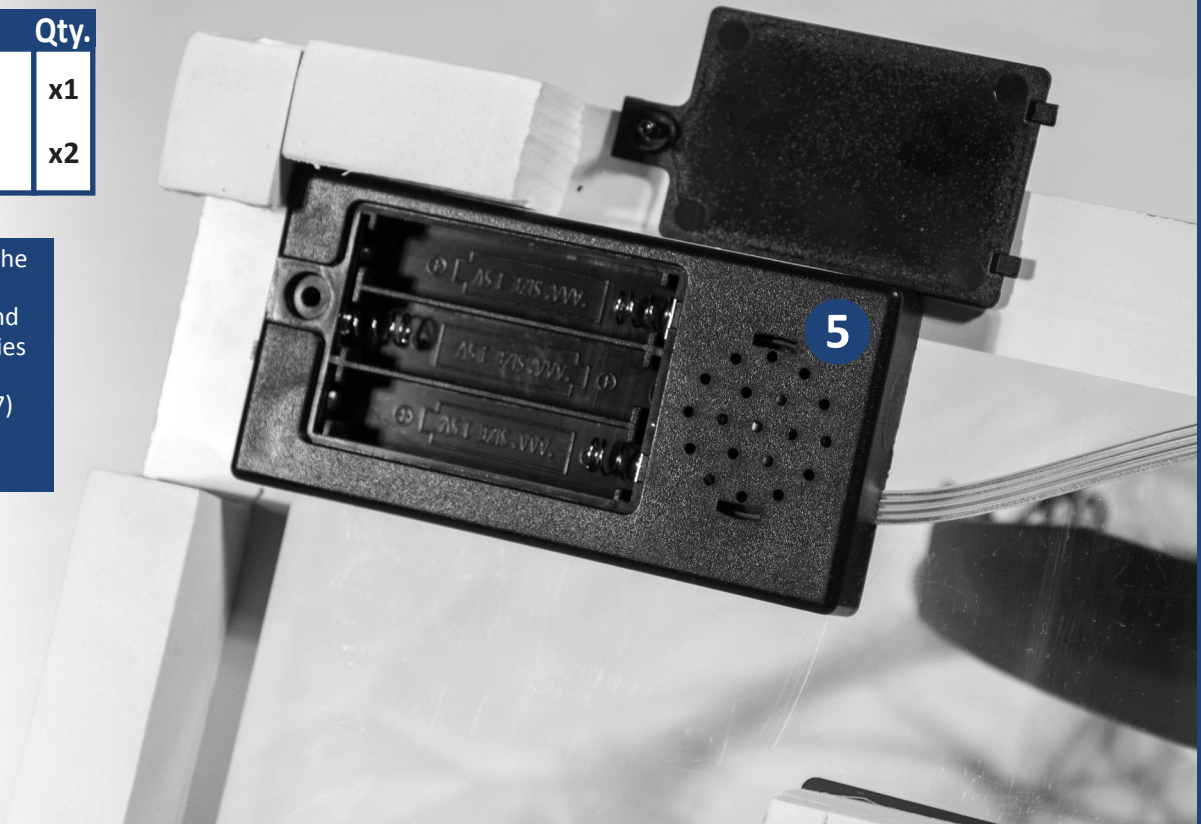
Loop the (#6) Net onto the rim hooks, making sure the longer strands of the (#6) Net are on top, nearest the (#2) Rim.

POP-A-SHOT

STEP 5

ID#	Name	Qty.
5	Scoreboard	x1
7	Basketball	x2

Unscrew the back of the (#5) Scoreboard with your Allen Wrench, and add three AAA batteries (not included). Then pump up your two (#7) Basketballs using the provided Ball Pump.



STEP 6

Hook the game over a door, turn it on, and you're ready to slam and score!

2 AUDIO OPTIONS

Flip the power switch up for no audio OR flip the power switch down for music and sound effects.

Note: Be sure to turn off the game when you aren't playing to save battery life.



GAME RULES

- Timer begins as soon as the background music starts.
- 30 seconds on the clock.
- Shots are 2 points each.
- Countdown clock isn't shown but ticks down for the final five seconds.

The Super Slam Dunk Sensor triggers its own unique sound effects!