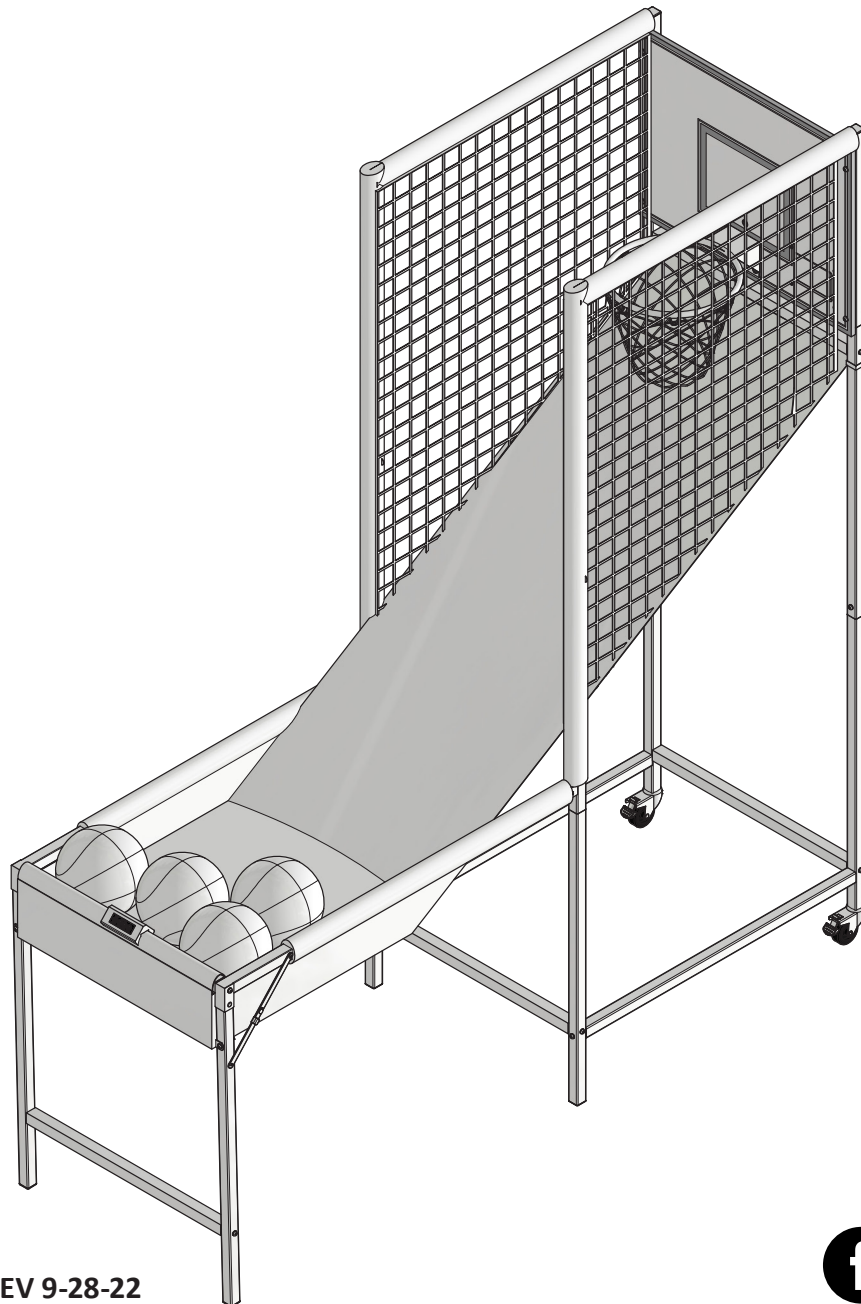


# POP-A-SHOT®

## PRO SINGLE SHOT

### ASSEMBLY INSTRUCTIONS



Model: PASPSS22 REV 9-28-22



[support@popashot.net](mailto:support@popashot.net)



[www.popashot.net](http://www.popashot.net)

## The Fine Print

### Warranty

As described in and as limited by this Warranty, Pop-A-Shot Enterprise, LLC (the "Company") warrants this product to be free from defects in workmanship and materials for a period of 360 days from the date of original purchase. The term defects shall mean any imperfections that impair the use of the product. The company reserves the right to request confirmation of proof of purchase when requesting parts or service in order to confirm that this product is within its warranty period and terms.

### What is Covered:

Just about everything, but mainly defects in materials and workmanship. This warranty is void if the product is:

- Damaged through improper usage or storage, negligence, misuse, abuse, transportation damage, acts of nature, or accident (including failure to follow the instructions supplied with the product).
- Used in commercial applications, rentals or a commercial environment.
- Modified or repaired by anyone not authorized by the company.

### What the Company Will Pay For:

- If any part or component of the product which is covered by this warranty is found by the company to be defective, the company will provide replacement parts without charge. The company's obligation to repair or replace the product or any portion of thereof, shall be limited to the original purchase price of the product.
- If during the warranty period, the product is found to be defective, the company will, at the company's option, repair, replace or make remuneration for the product (either the same or equivalent value) without charge.

### To Obtain Warranty Service:

- You must return the original copy of your sales receipt to the company showing a purchase from an authorized retailer.
- You must email the company's customer service department at [support@popashot.net](mailto:support@popashot.net) to notify the company of the nature of the problem. Customer service is available Monday through Friday between the hours of 8:00am and 5:00 P.M. CST. At the company's option, replacement parts or a new product (either the same or equivalent value) will be sent to you at no charge.
- If you are instructed to return the product to the company for servicing, you are responsible for shipping the product, at your expense, to the address designated by the company in packaging that will protect against further damage.
- You must also include your name, address, daytime telephone number, product model number, and a description of the problem.
- The company will pay for any shipping charges to return the repaired or replaced product to you.

This warranty gives you specific legal rights, but you may also have other rights that vary from state to state.

If you have questions regarding this warranty or the operation of the product, please email us at [support@popashot.net](mailto:support@popashot.net).

### Some Warnings



This is not a toy. It is intended for use by or under the supervision of adults. Review all safety guidelines with children to avoid risk of electric shock or other injuries.



No children or pets in assembly area.  
**CHOKING HAZARD**  
This item contains small parts. Not suitable for children under 3 years old.



Do not use or keep product outdoors. For indoor use only. Wet or humid conditions will affect gameplay, appearance and longevity as well as void warranty.



Do not sit, stand, lean in to, or lean on your finished Pop-A-Shot.

STOP

## PLEASE READ THIS PAGE

STOP

**It'll only take a minute and will save you time!**

## BEFORE PUTTING TOGETHER YOUR GAME

We strongly recommend scanning the QR code here (or going to [www.popashot.net/qr-pss](http://www.popashot.net/qr-pss)) to visit the Pro Single Shot Hub. Here you'll find a wealth of resources to get the most out of your game, including:

- 🏀 Registration form.  
Complete the form to activate your warranty and let us know what you love about your new game!
- 🏀 Assembly directions, videos and additional tips.
- 🏀 Troubleshooting help, both for assembling as well as playing your game.
- 🏀 The easiest way to contact our All-Star Support team with any questions.
- 🏀 Links to our social media channels (make sure to follow us!).
- 🏀 The Century Club, for those whose scores have hit 3 digits!



## DURING ASSEMBLY

Now that you're ready to begin putting together your game, here are a few tips:

- 🏀 Remove all of the parts from the box and verify that you have all of them (as shown on the Parts list). Keep an eye out for some of the smaller ones, like the rim nets.
- 🏀 Find a clean, level place to assemble your game.
- 🏀 We recommend working on a soft, non-marring surface such as carpet or the cardboard box your game came in.
- 🏀 Like most things in life, putting together a Pop-A-Shot is better with a friend. If you can't find someone to help the entire time, we'll point out those steps when two people are especially helpful.

**If you do have any problems or questions during assembly or operation, please email [support@popashot.net](mailto:support@popashot.net) and we'll take care of them.**

## WHEN YOU'RE DONE

- 🏀 Please leave a review on Amazon or [popashot.net](http://popashot.net) and let others know how you like your game.
- 🏀 Share a video or photo of your home court. Tag us [@popashot](https://www.instagram.com/popashot) on Instagram to be entered to win a T-shirt.



## PRO SINGLE SHOT PARTS

Instruction  
Part ID#

Part #

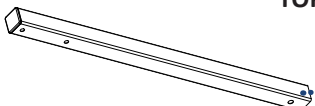
Step Used In

Part Name

Part Image

Part Quantity


**1** Rear Vertical Tube  
TOP



PPP001 **x2**

**STEPS 6, 8 & 13**

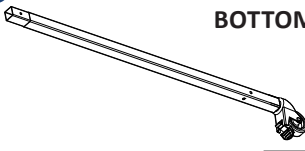
**2** Rear Vertical Tube  
MIDDLE



PPP002 **x2**

**STEPS 6 & 9**

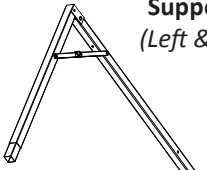
**3** Rear Vertical Tube  
BOTTOM



PPP003 **x2**

**STEPS 6, 7 & 9**

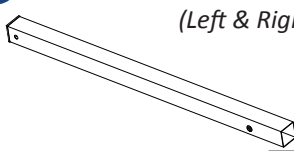
**4** Support Leg  
(Left & Right)



PPP004L & PPP004R **x2**

**STEPS 1 & 4**

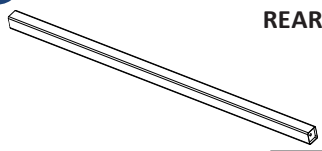
**5** Socket Tube  
(Left & Right)



PPP005L & PPP005R **x2**

**STEPS 1 & 3**

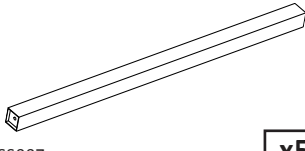
**6** Lower Side Tube  
REAR



PPP006 **x2**

**STEP 7**

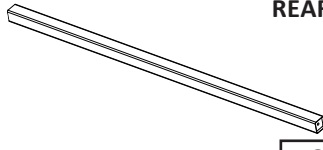
**7** Horizontal Tube



PSS007 **x5**

**STEPS 4, 5, 9, 14 & 15**

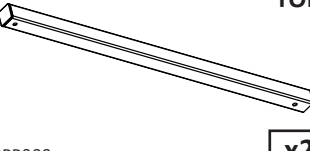
**8** Upper Side Tube  
REAR



PPP008 **x2**

**STEP 8**

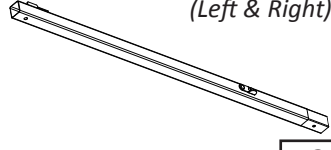
**9** Middle Vertical Tube  
TOP



PPP009 **x2**

**STEPS 2 & 8**

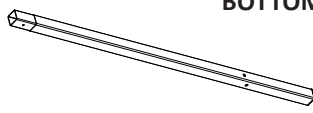
**10** Clip Tube  
(Left & Right)



PPP010L & PPP010R **x2**

**STEPS 2 & 3**

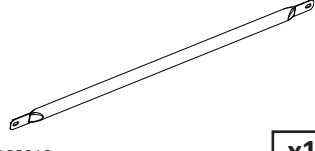
**11** Middle Vertical Tube  
BOTTOM



PPP011 **x2**

**STEPS 2, 5 & 7**

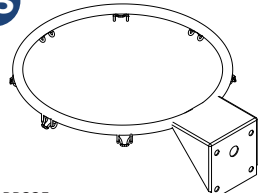
**12** Lean Bar



PSS012 **x1**

**STEP 4 & 14**

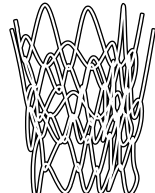
**13** Rim



PPP325 **x1**

**STEP 10**

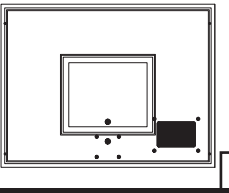
**14** Net



HHH331 **x1**

**STEP 10**

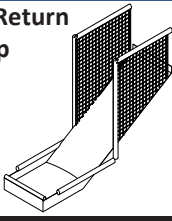
**15** Backboard



PSS371 **x1**

**STEPS 10-14**


**16** Ball Return  
Ramp



PSS016 **x1**

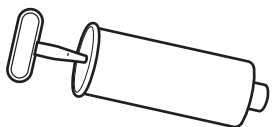
**STEP 14**

**17** Ball



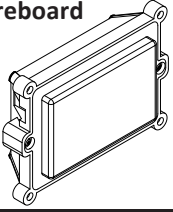
Z7-YK48-2791 **x4**

**18** Pump



PAS342 **x1**

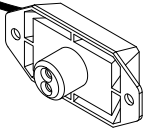
**19** Scoreboard



PSS204 **x1**

**STEPS 11, 12 & 15**

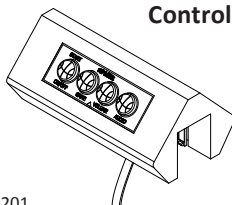
**20** Sensor



PPP202 **x2**

**STEP 12**

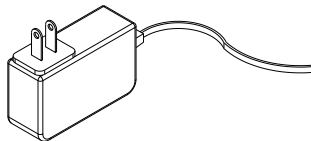
**21** Control Panel



PPP201 **x1**

**STEP 15**

**22** Power Adapter

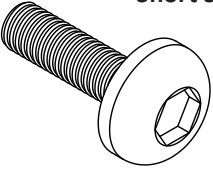
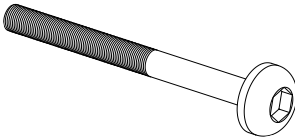
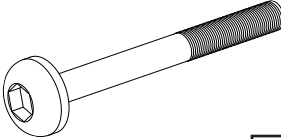
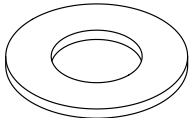
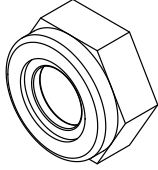
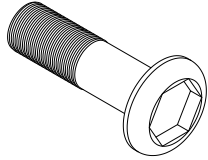
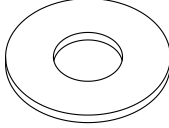
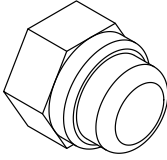
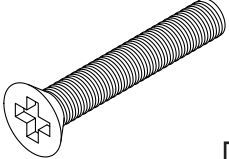
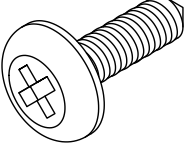
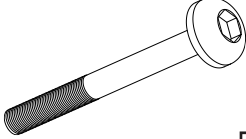
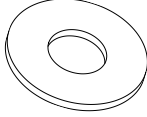


PAS206 **x1**

**STEP 15**

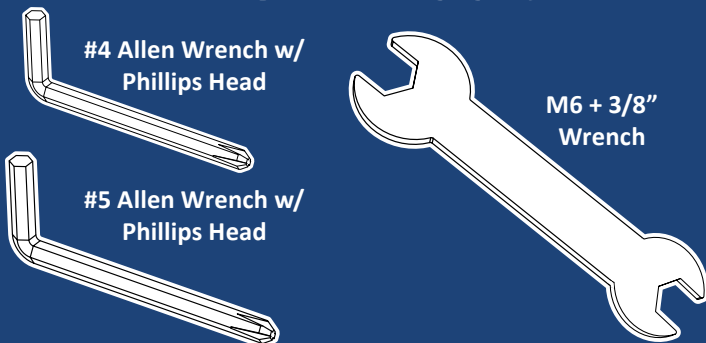


## HARDWARE BLISTER PACK

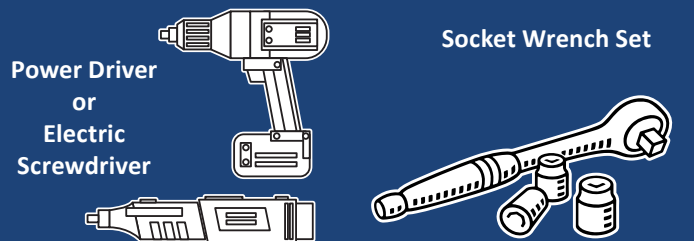
<p><b>23</b> Short Screw</p>  <p>PPP023 <b>x8</b></p> <p><b>STEPS 1, 2 &amp; 6</b></p>	<p><b>24</b> Long Screw</p>  <p>PPP024 <b>x4</b></p> <p><b>STEPS 6 &amp; 14</b></p>	<p><b>25</b> Bolt</p>  <p>PPP025 <b>x18</b></p> <p><b>STEPS 4, 5, 7, 8 &amp; 9</b></p>	<p><b>26</b> Washer</p>  <p>PPP026 <b>x42</b></p> <p><b>STEPS 1-9, 13 &amp; 14</b></p>
<p><b>27</b> Nut</p>  <p>PPP027 <b>x8</b></p> <p><b>STEP 4, 6, 13 &amp; 14</b></p>	<p><b>28</b> Rim Bolt</p>  <p>PPP028 <b>x4</b></p> <p><b>STEP 10</b></p>	<p><b>29</b> Rim Washer</p>  <p>PPP029 <b>x4</b></p> <p><b>STEP 10</b></p>	<p><b>30</b> Rim Nut</p>  <p>PPP030 <b>x4</b></p> <p><b>STEP 10</b></p>
<p><b>31</b> Scoreboard Screw</p>  <p>PPP031 <b>x4</b></p> <p><b>STEP 11</b></p>	<p><b>32</b> Sensor Screw</p>  <p>PPP032 <b>x4</b></p> <p><b>STEP 12</b></p>	<p><b>33</b> Middle Bolt</p>  <p>PPP033 <b>x4</b></p> <p><b>STEP 3 &amp; 4</b></p>	<p><b>34</b> Plastic Washer</p>  <p>PPP034 <b>x2</b></p> <p><b>STEP 3</b></p>

The included tools will get the job done, but you probably have better tools of your own.

### INCLUDED TOOLS



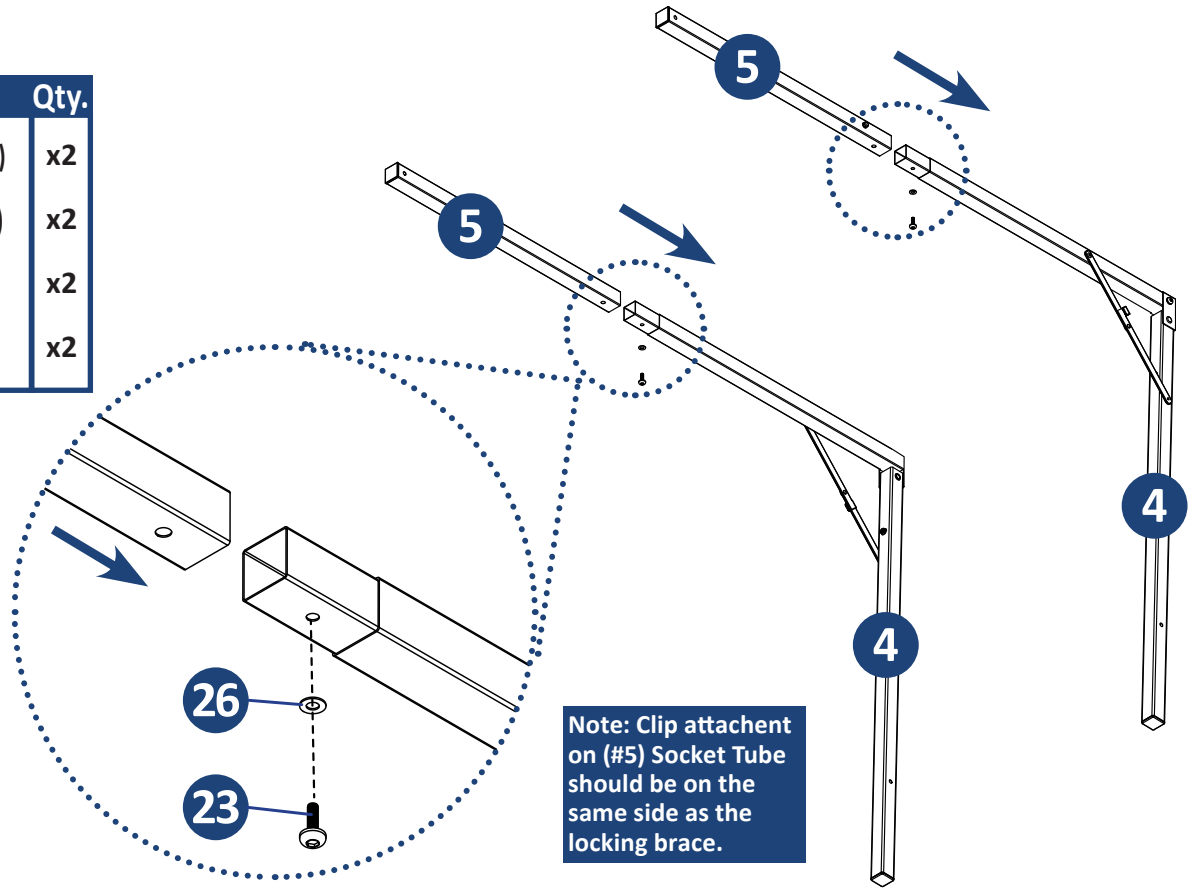
### RECOMMENDED TOOLS



# POP-A-SHOT

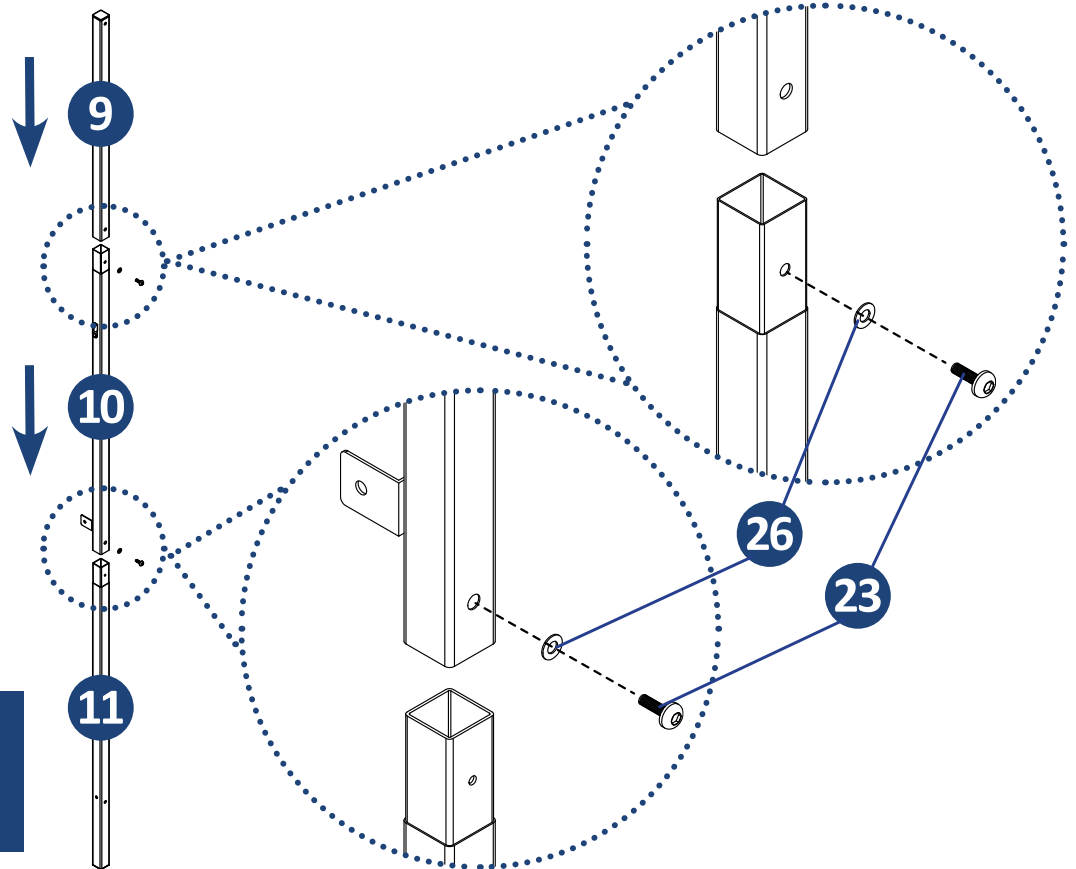
## STEP 1

ID#	Name	Qty.
4	Support Leg (Left & Right)	x2
5	Socket Tube (Left & Right)	x2
23	Short Screw	x2
26	Washer	x2



## STEP 2

ID#	Name	Qty.
9	Middle Vertical Tube TOP	x2
10	Clip Tube (Left & Right)	x2
11	Middle Vertical Tube BOTTOM	x2
23	Short Screw	x4
26	Washer	x4



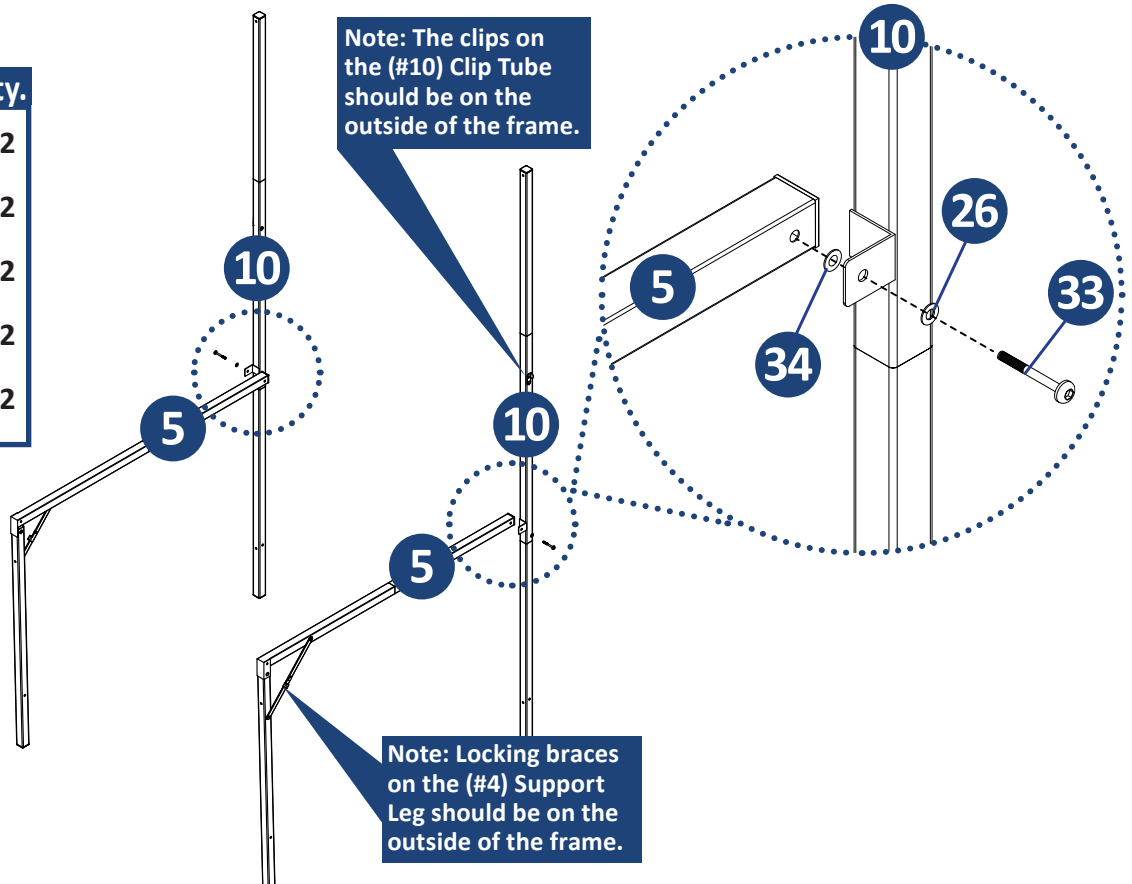
Repeat with other side.

# POP-A-SHOT

## STEP 3

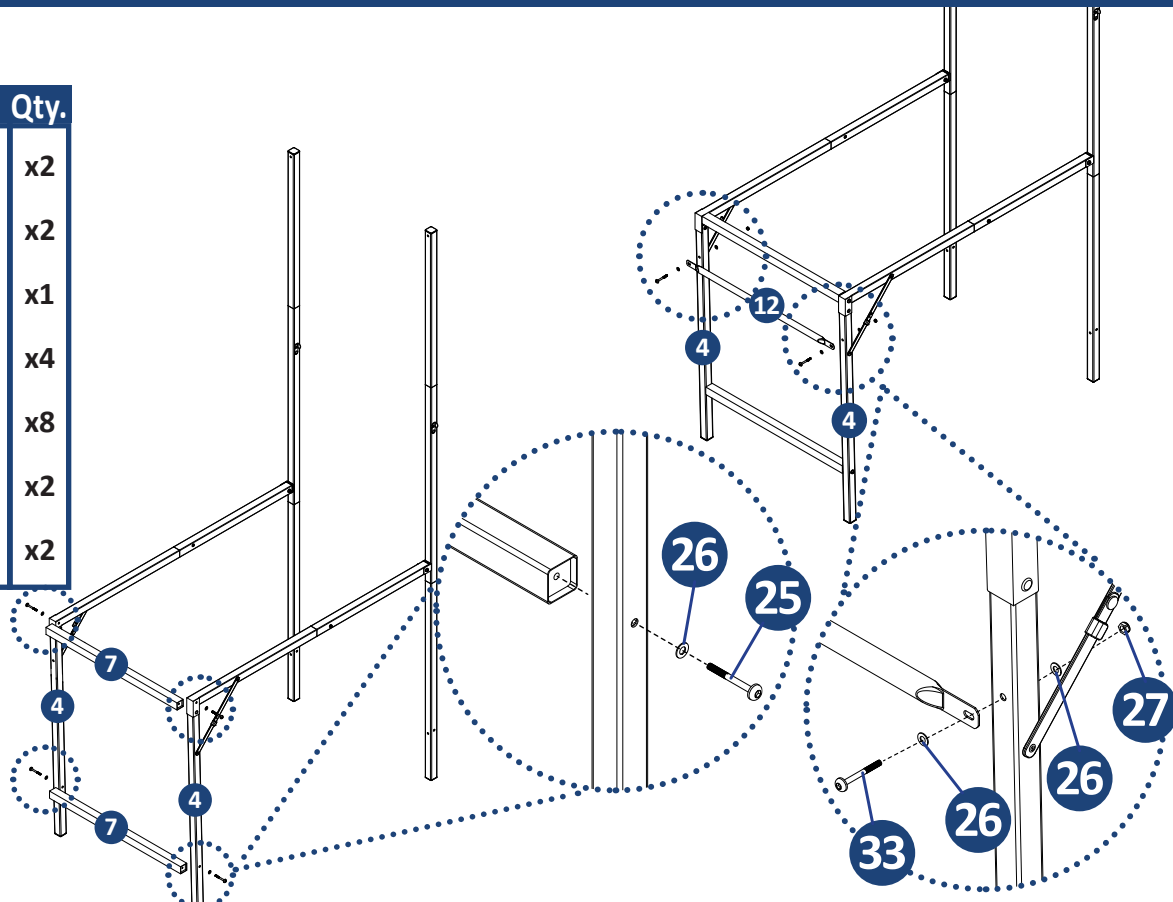
ID#	Name	Qty.
5	Socket Tube (Left & Right)	x2
10	Clip Tube (Left & Right)	x2
26	Washer	x2
33	Middle Bolt	x2
34	Plastic Washer	x2

Note: Grab a friend to help with this step.



## STEP 4

ID#	Name	Qty.
4	Support Leg (Left & Right)	x2
7	Horizontal Tube	x2
12	Lean Bar	x1
25	Bolt	x4
26	Washer	x8
27	Nut	x2
33	Middle Bolt	x2

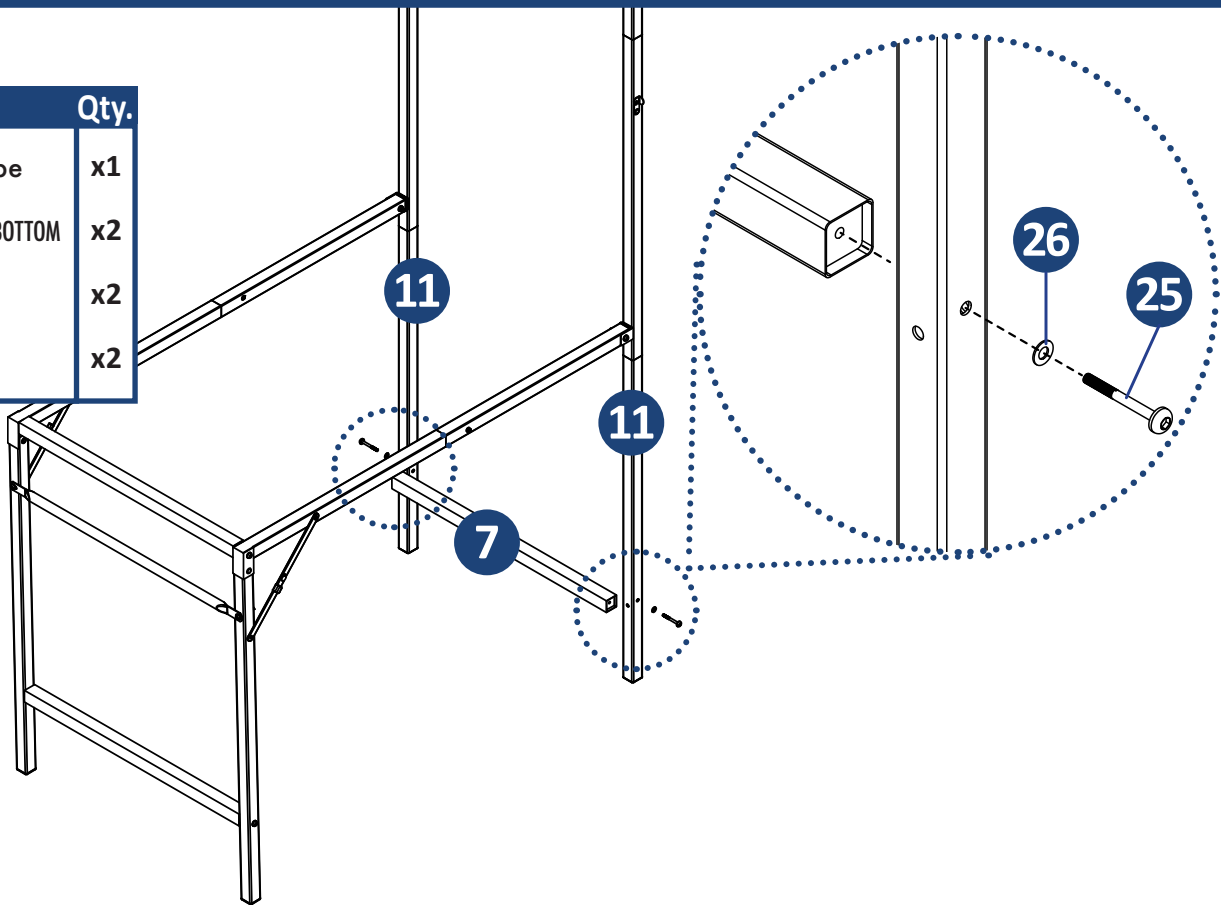




# POP-A-SHOT

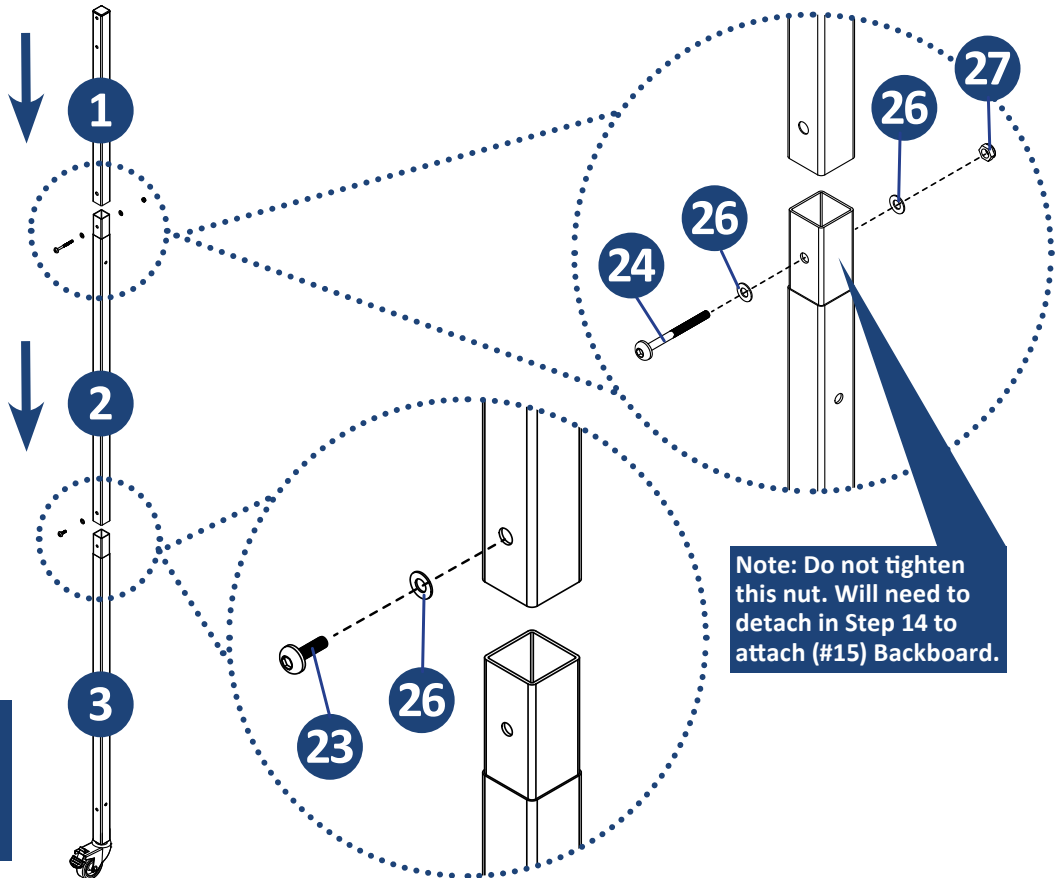
## STEP 5

ID#	Name	Qty.
7	Horizontal Tube	x1
11	Middle Vertical Tube BOTTOM	x2
25	Bolt	x2
26	Washer	x2



## STEP 6

ID#	Name	Qty.
1	Rear Vertical Tube TOP	x2
2	Rear Vertical Tube MIDDLE	x2
3	Rear Vertical Tube BOTTOM	x2
23	Short Screw	x2
24	Long Screw	x2
26	Washer	x6
27	Nut	x2



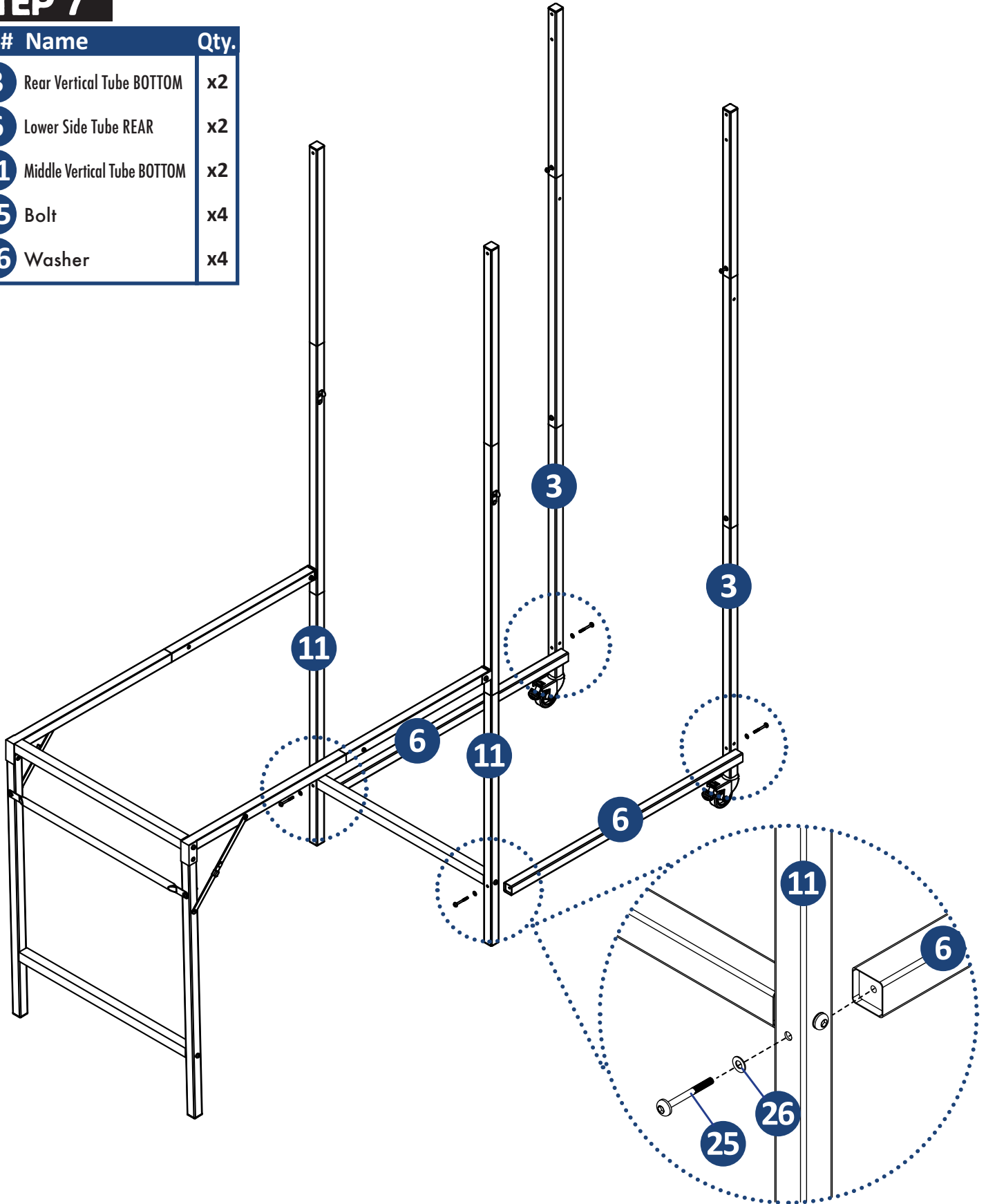
Repeat with other side.

Note: Do not tighten this nut. Will need to detach in Step 14 to attach (#15) Backboard.



## STEP 7

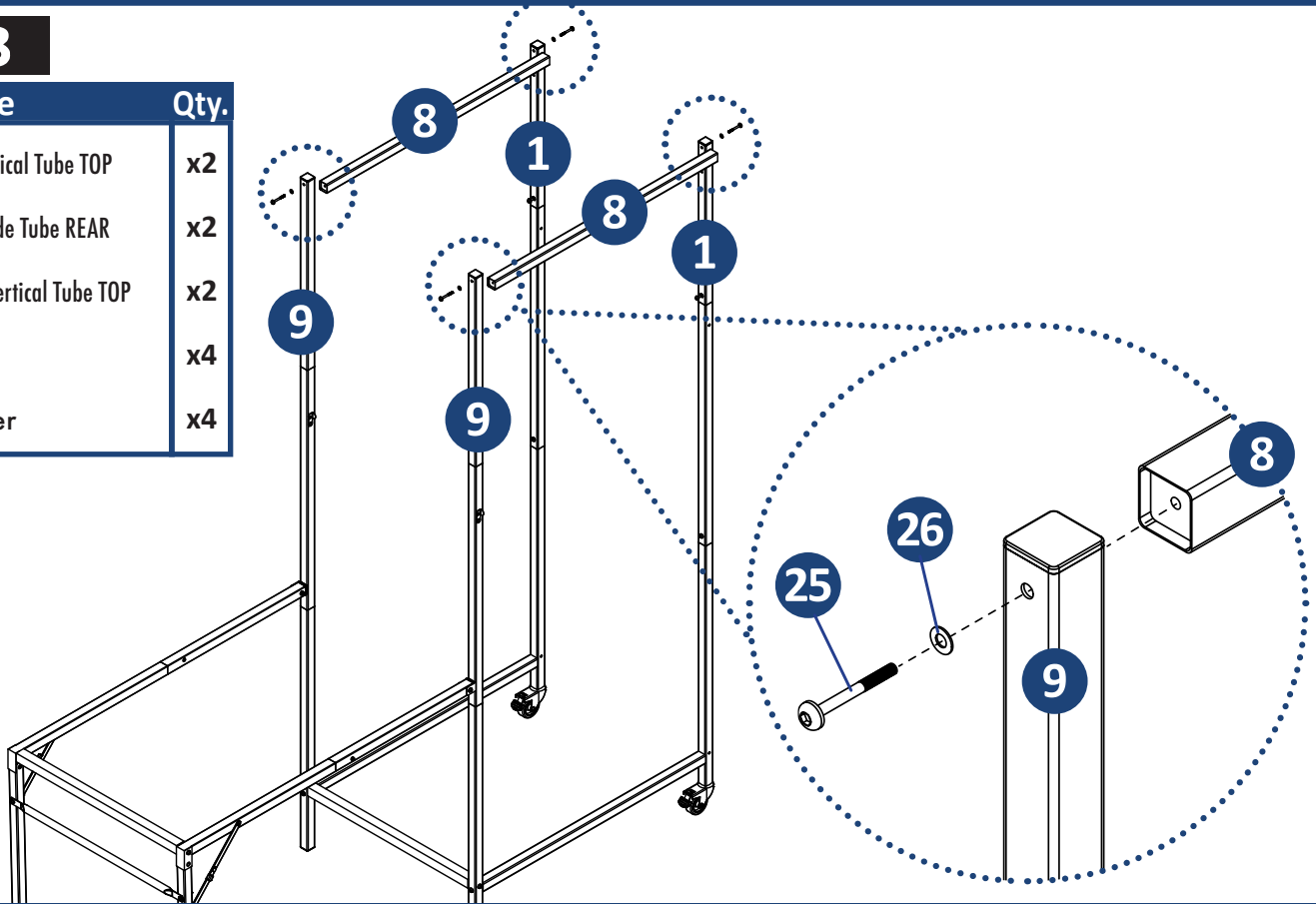
ID#	Name	Qty.
3	Rear Vertical Tube BOTTOM	x2
6	Lower Side Tube REAR	x2
11	Middle Vertical Tube BOTTOM	x2
25	Bolt	x4
26	Washer	x4



# POP-A-SHOT

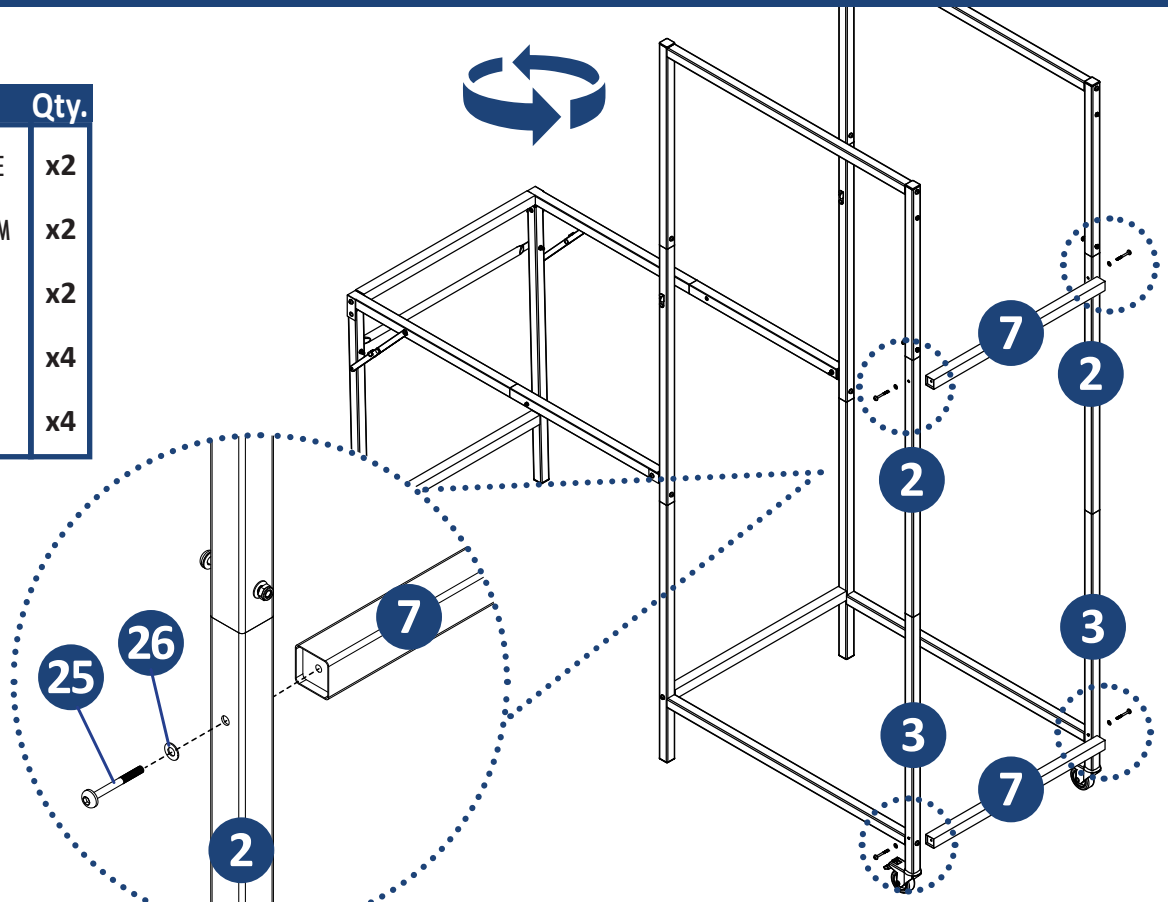
## STEP 8

ID#	Name	Qty.
1	Rear Vertical Tube TOP	x2
8	Upper Side Tube REAR	x2
9	Middle Vertical Tube TOP	x2
25	Bolt	x4
26	Washer	x4



## STEP 9

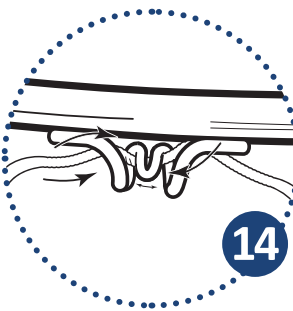
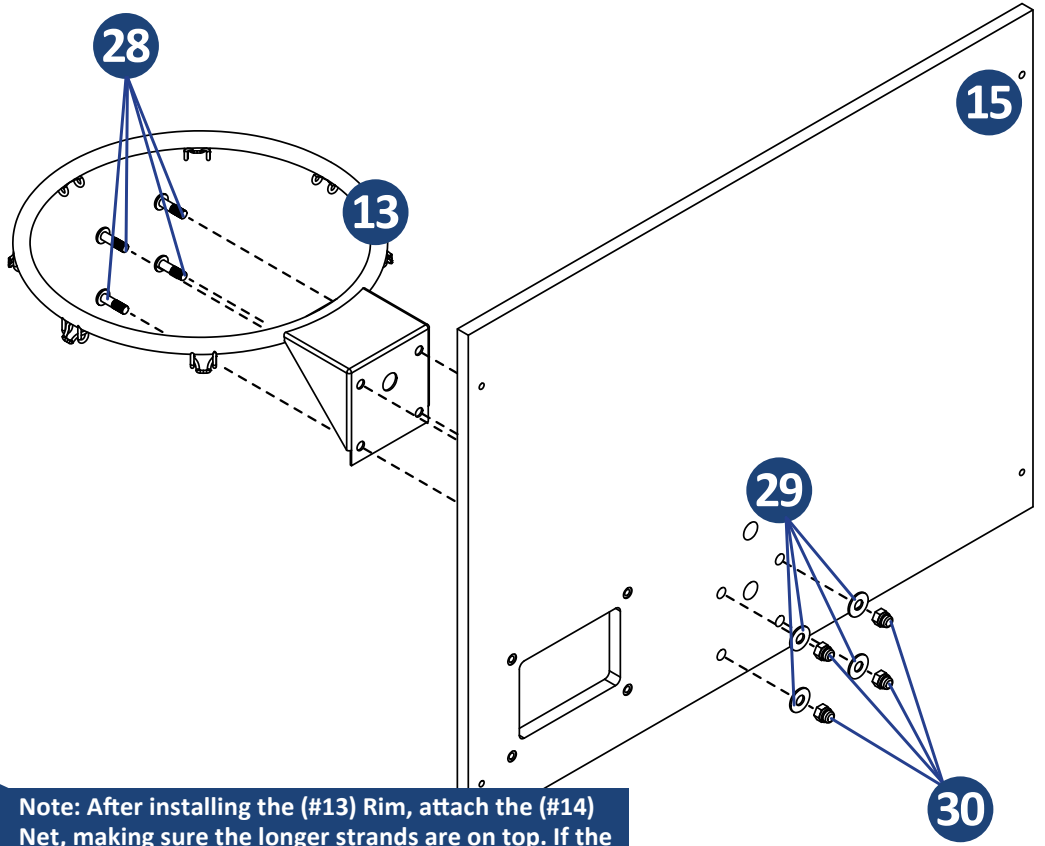
ID#	Name	Qty.
2	Rear Vertical Tube MIDDLE	x2
3	Rear Vertical Tube BOTTOM	x2
7	Horizontal Tube	x2
25	Bolt	x4
26	Washer	x4



# POP-A-SHOT

## STEP 10

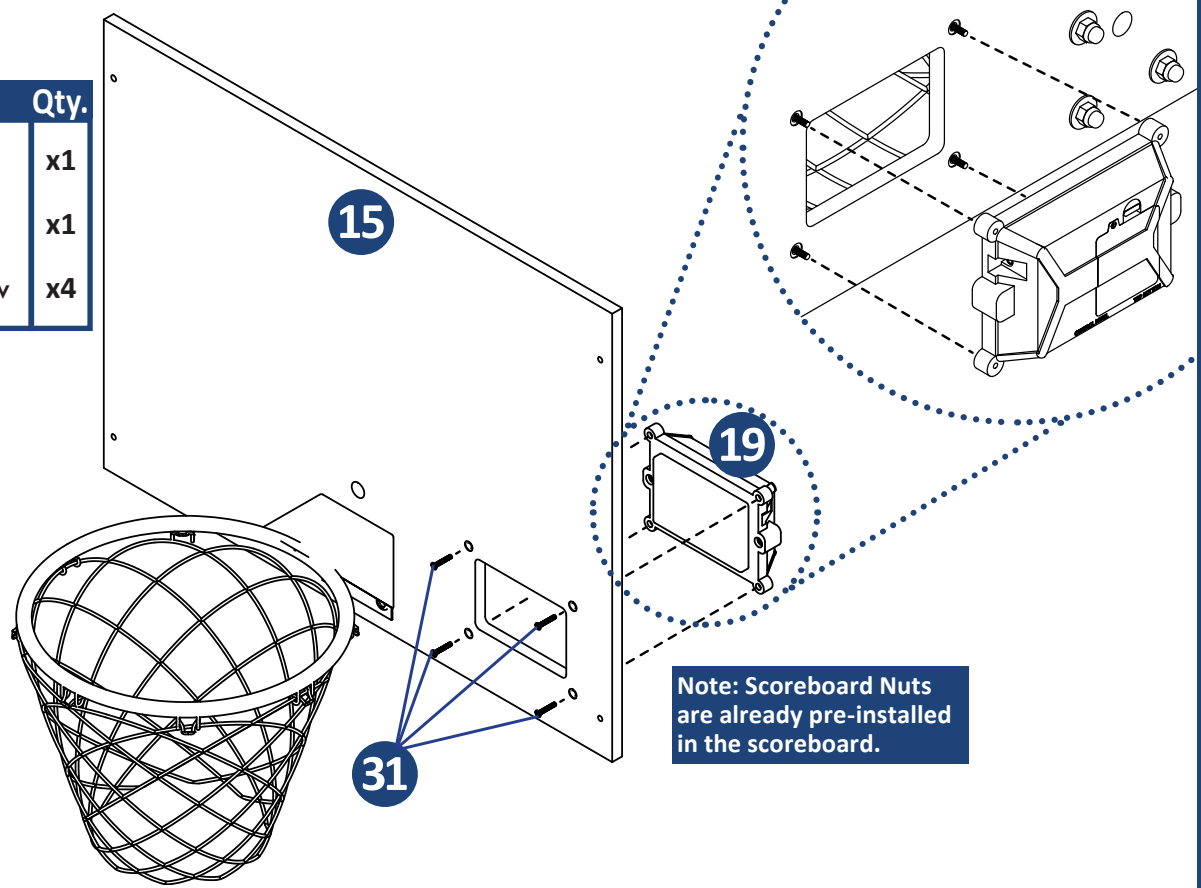
ID#	Name	Qty.
13	Rim	x1
14	Net	x1
15	Backboard	x1
28	Rim Bolt	x4
29	Rim Washer	x4
30	Rim Nut	x4



Note: After installing the (#13) Rim, attach the (#14) Net, making sure the longer strands are on top. If the net is not attached properly, scoring can be affected.

## STEP 11

ID#	Name	Qty.
15	Backboard	x1
19	Scoreboard	x1
31	Scoreboard Screw	x4



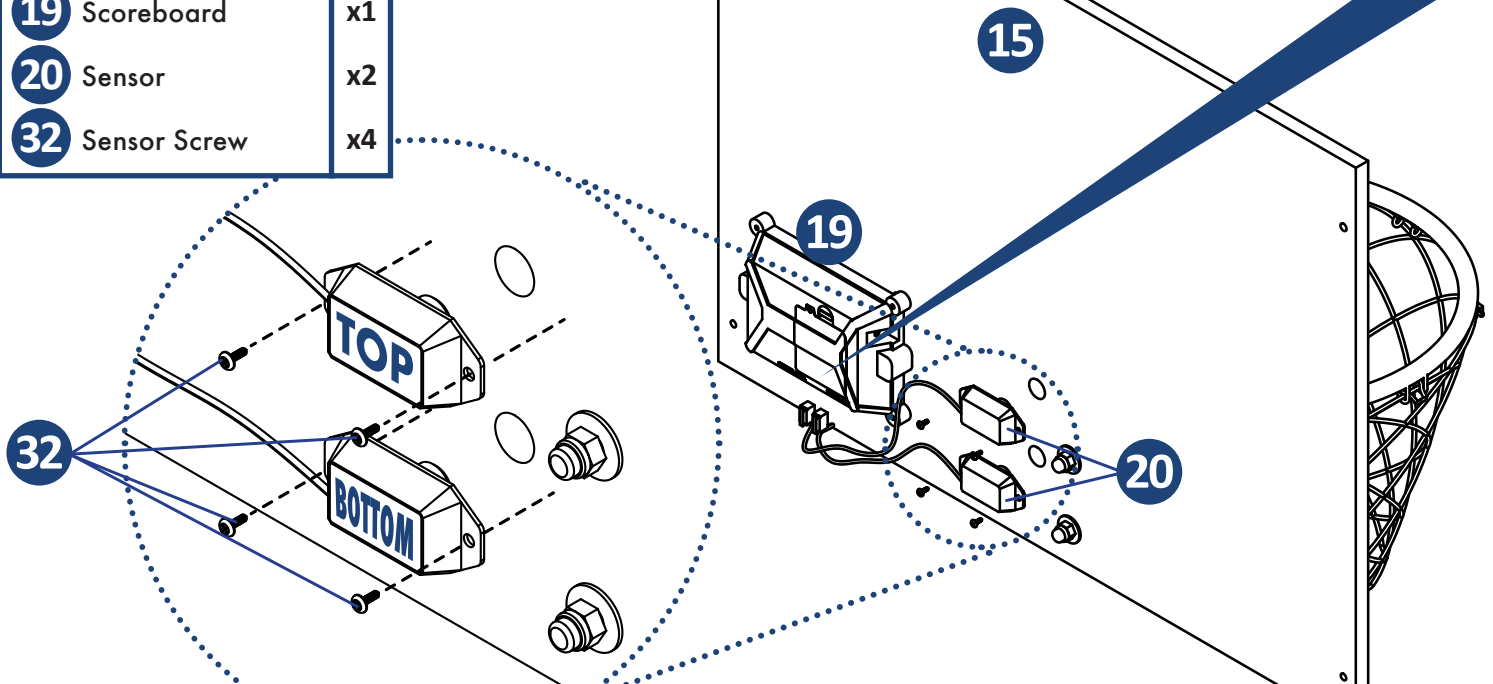
Note: Scoreboard Nuts are already pre-installed in the scoreboard.

# POP-A-SHOT

## STEP 12

ID#	Name	Qty.
15	Backboard	x1
19	Scoreboard	x1
20	Sensor	x2
32	Sensor Screw	x4

Note: The TOP sensor need to be plugged into the TOP port on the back of the (#19) Scoreboard. The BOTTOM sensor need to be plugged into the BOTTOM port.

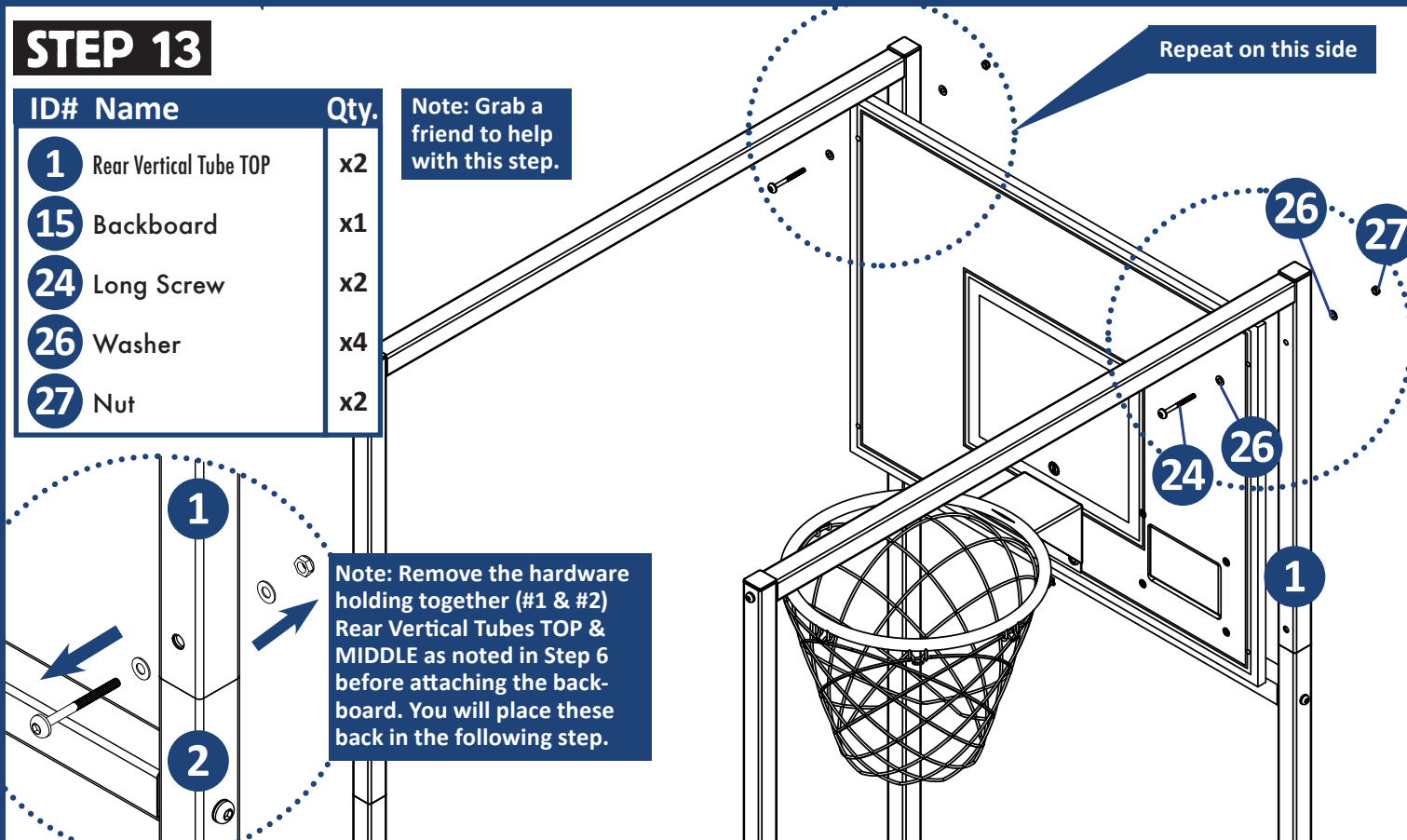


## STEP 13

ID#	Name	Qty.
1	Rear Vertical Tube TOP	x2
15	Backboard	x1
24	Long Screw	x2
26	Washer	x4
27	Nut	x2

Note: Grab a friend to help with this step.

Repeat on this side



Note: Remove the hardware holding together (#1 & #2) Rear Vertical Tubes TOP & MIDDLE as noted in Step 6 before attaching the backboard. You will place these back in the following step.

## STEP 14

ID#	Name	Qty.
7	Horizontal Bar	x1
12	Lean Bar	x1
15	Backboard	x1
16	Ball Return Ramp	x1
24	Long Screw	x2
26	Washer	x4
27	Nut	x2

Note: Secure the black tabs of the (#16) Ramp first, before applying the rest of the hook & loop.

Note: This is the same hardware you removed in Step 14.

Note: Starting at the top, work your way down the front of the game, wrapping the (#16) Ramp around the frame, securing the hook & loop sections as you go.

Note: Make sure the (#16) Ramp goes under the (#7) Horizontal Bar, before attaching the hook & loop.

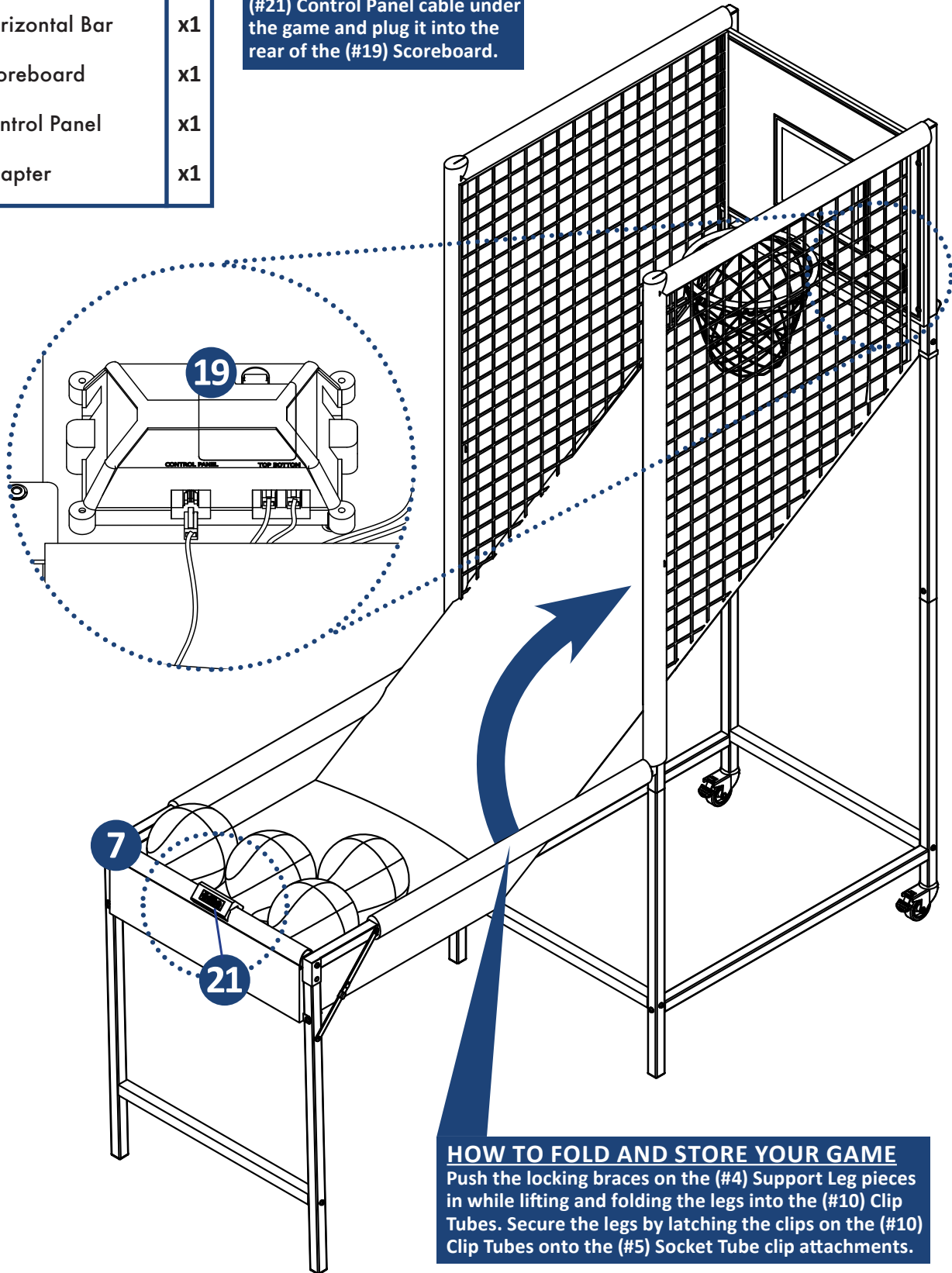
Note: Pull the (#16) Ramp under the (#12) Lean Bar before pulling it behind and over the (#7) Horizontal Bar, securing the ramp with the hook & loop side facing away from the backboard.

# POP-A-SHOT

## STEP 15

ID#	Name	Qty.
7	Horizontal Bar	x1
19	Scoreboard	x1
21	Control Panel	x1
22	Adapter	x1

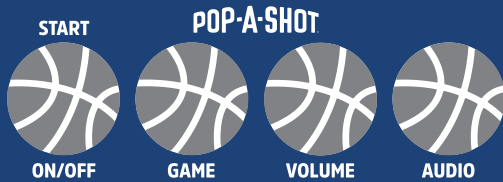
Note: Snap the (#21) Control Panel onto the top of the (#7) Horizontal Bar. Then run the (#21) Control Panel cable under the game and plug it into the rear of the (#19) Scoreboard.



**HOW TO FOLD AND STORE YOUR GAME**  
Push the locking braces on the (#4) Support Leg pieces in while lifting and folding the legs into the (#10) Clip Tubes. Secure the legs by latching the clips on the (#10) Clip Tubes onto the (#5) Socket Tube clip attachments.



## CONTROL PANEL OPERATION



**TURNING ON THE GAME:** Press **ON/OFF** to turn on your game.

**SELECT GAME:** Press **GAME** to select one of the 6 games  
(see **GAME OPTIONS** for complete list).

**AUDIO:** Press **AUDIO** to make Audio selection  
(see **AUDIO OPTIONS** for complete list).

**VOLUME:** Press **VOLUME** to turn volume up/down  
(it goes all the way in one direction before going back in the other).

**STARTING A GAME:** Press **START** to start your game.

**TURNING OFF THE GAME:** Press and hold **ON/OFF** to turn off your game.

## AUDIO OPTIONS

There are 6 different audio options. Select the audio option by pushing **AUDIO** until you reach your selection. The number will be displayed on the scoreboard.

**S1:** Play-by-play announcer & Sound FX

**S2:** Sound FX only

**S3:** Electronic Music

**S4:** Rock Music

**S5:** Hip Hop Music

**S6:** No Sound

## GAME OPTIONS

Push **GAME** until desired Game Number is displayed, then press **START** to begin.

### 1. Standard Play / :30 on clock

Announcer and clock count down to start. Baskets are 2 points for 1st :20, then 3 points for final :10 and all bonus time Bonus: :15 extra at 30 points; :10 extra at 60 points

### 2. Skeet Shooting

Announcers says "Shoot," then you have :03 to make a basket

### 3. Double Or Nothing / :30 on clock

First basket counts for 2 points, then each subsequent basket counts for double. If no basket is made within :03, next basket is 2 points

### 4. Overtime / 1:00 on clock

Announcer and clock count down to start. Baskets are 2 points for 1st :20, then 3 points for final :10 and all bonus time Bonus: :15 extra at 30 points; :10 extra at 60 points

### 5. Sudden Death / :15 on clock

### 6. Free Play

All baskets count as 2 points



