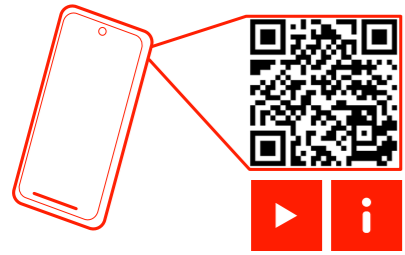
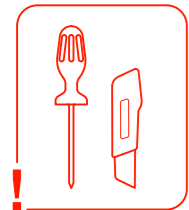


# Yaasa LED Assembly Guide



[www.yaasa.com/pages/assembly-led-kit](http://www.yaasa.com/pages/assembly-led-kit)

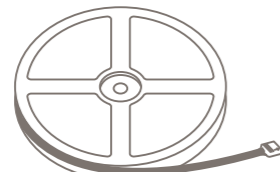


2x



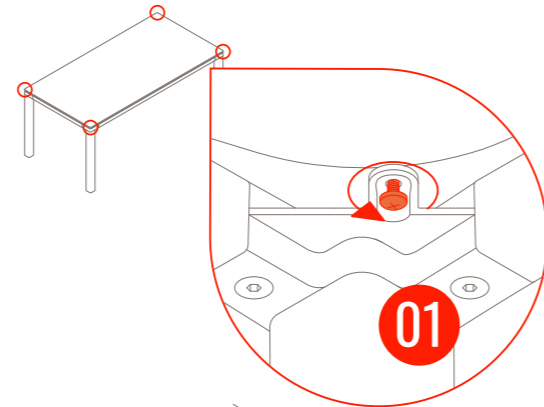
2x

4x



LED

01



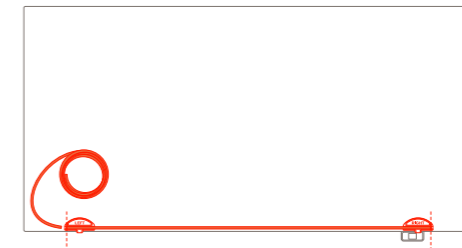
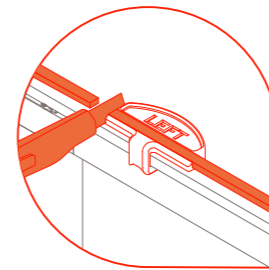
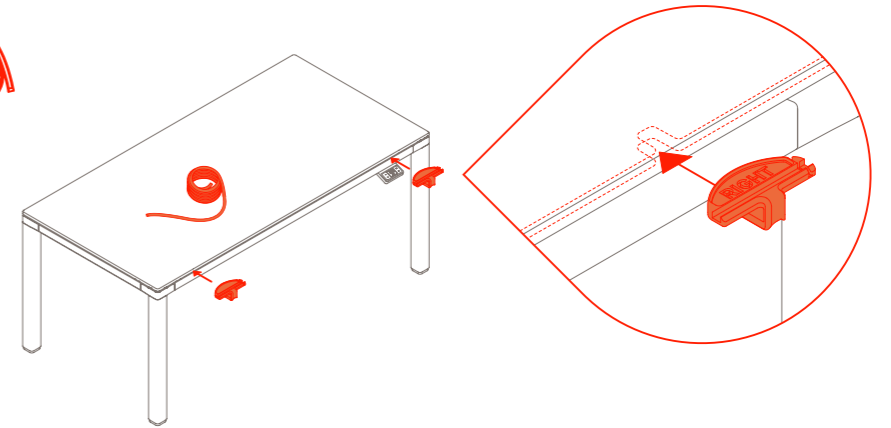
01

x4

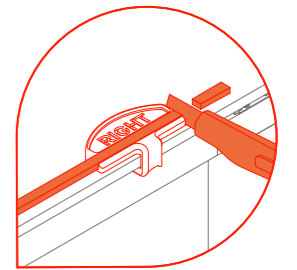
02



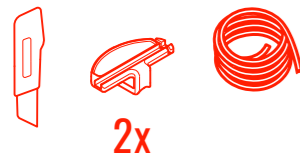
2x



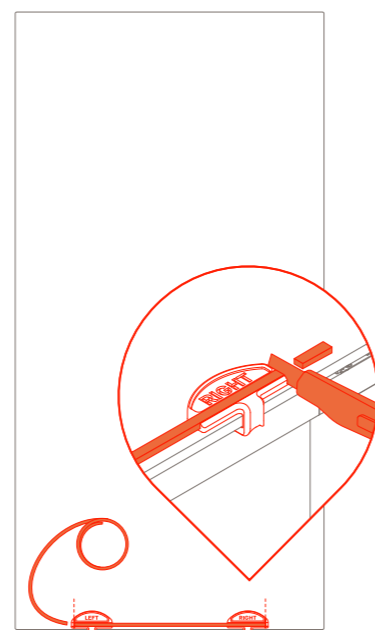
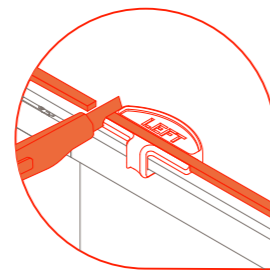
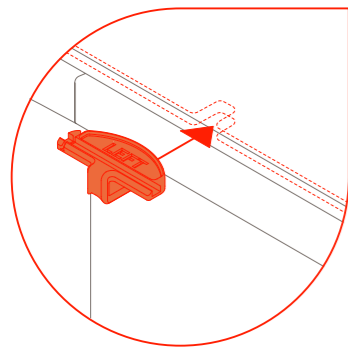
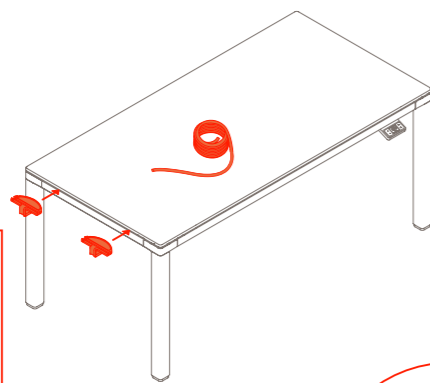
2x



03

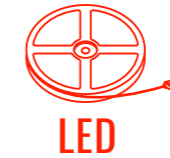


2x

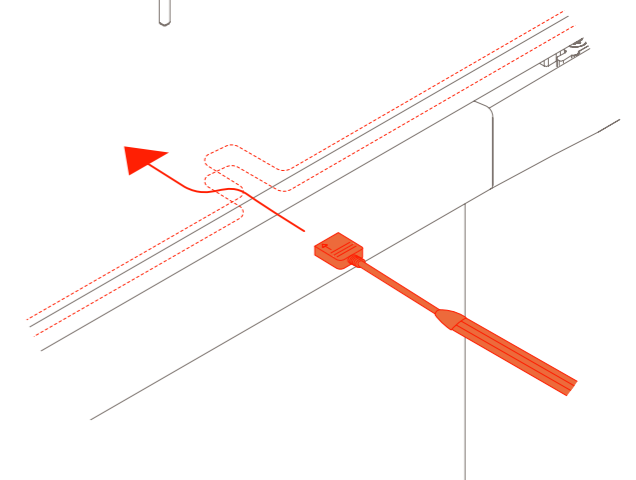
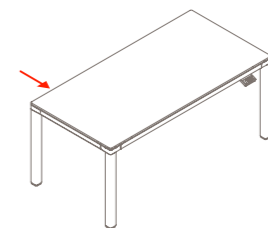


2x

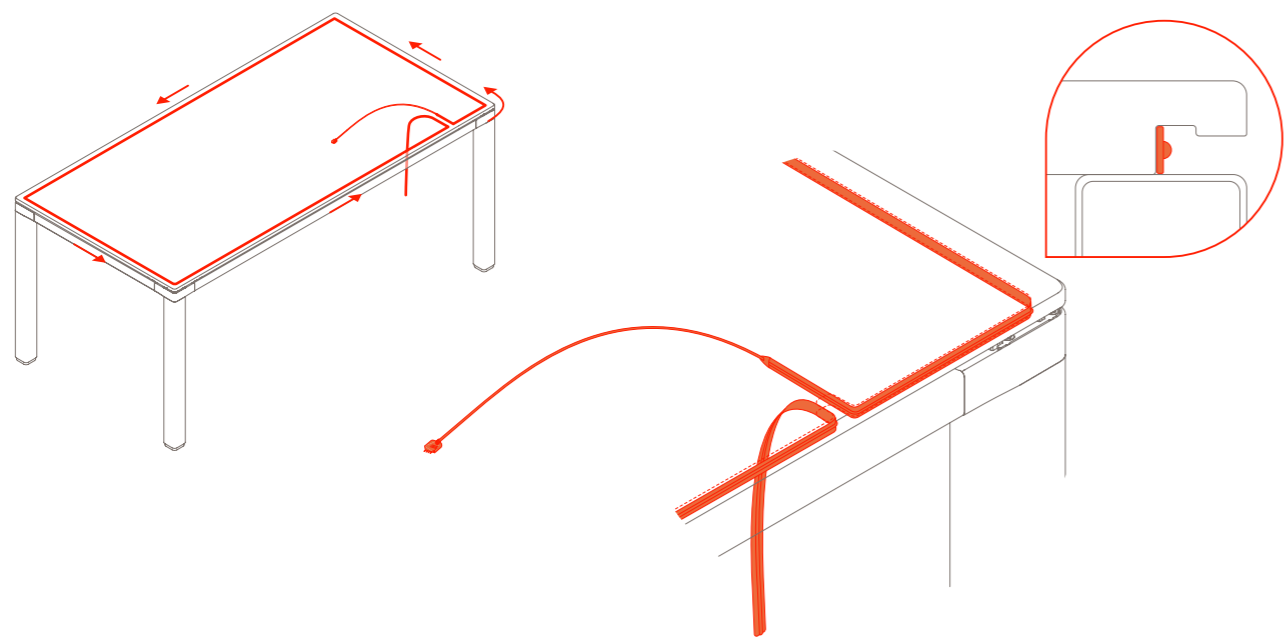
04



LED

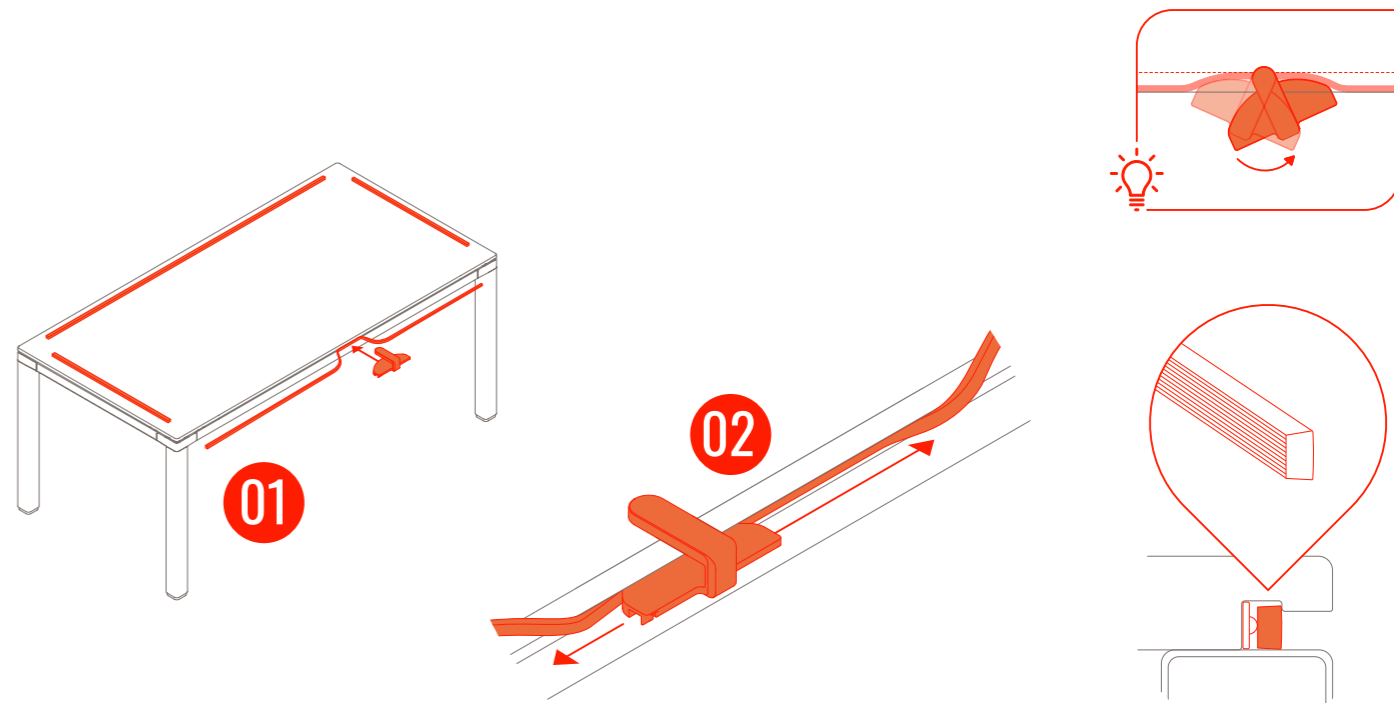


05



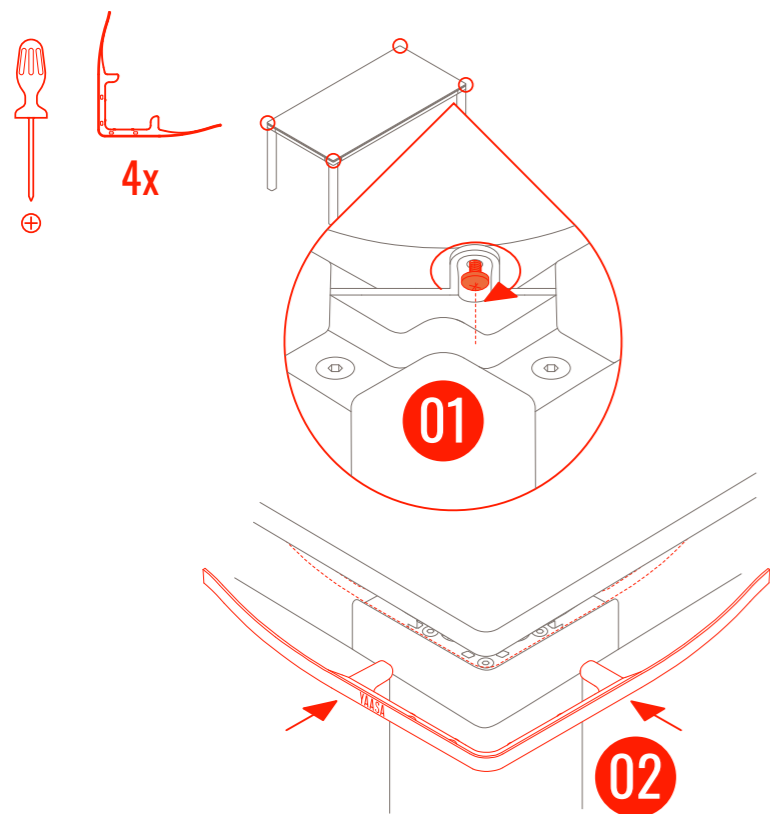
06

2x

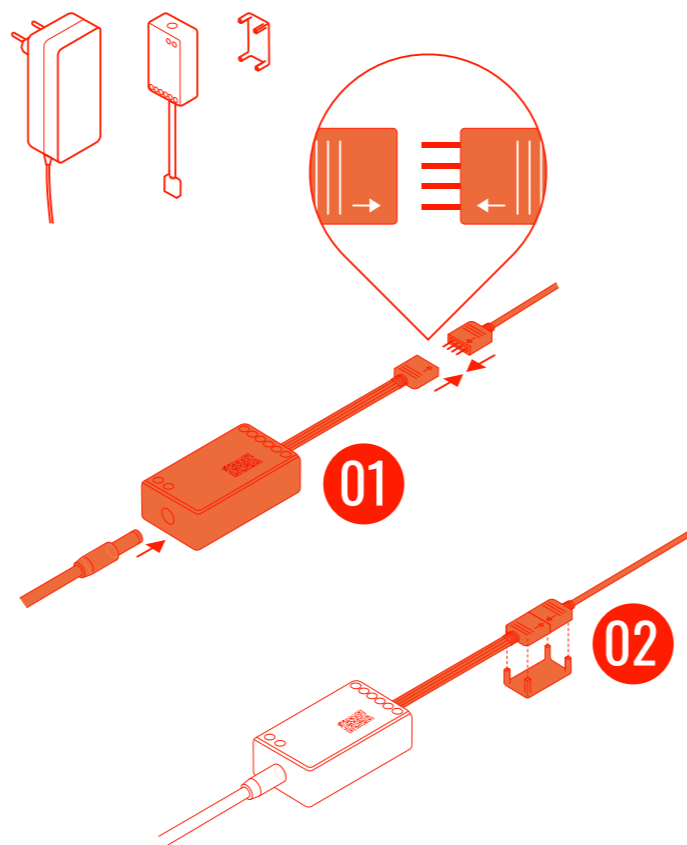


07

x4

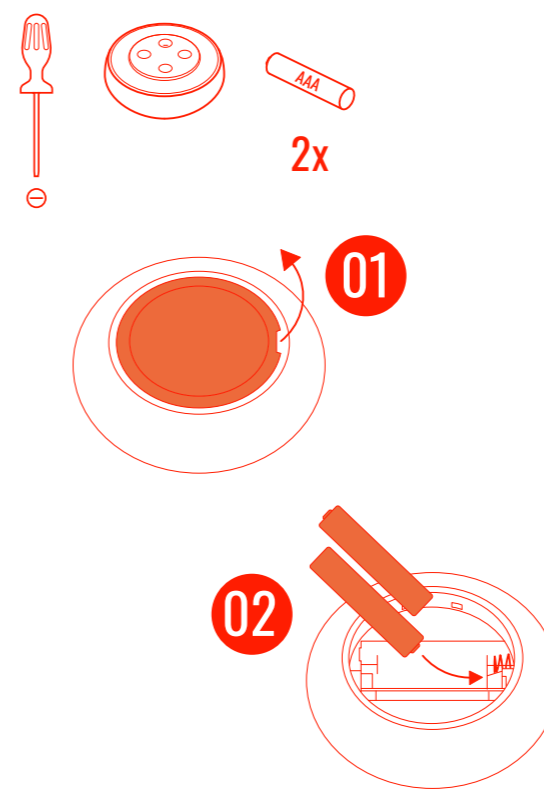


08



09

2x



10

