

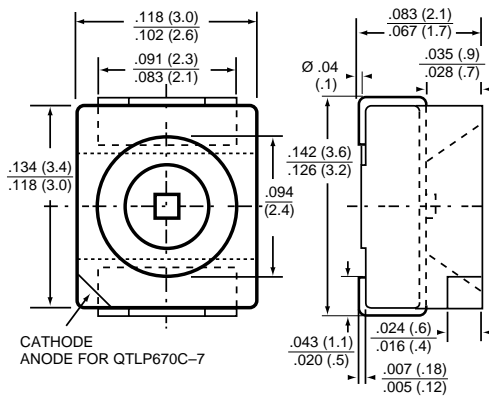
HIGH EFFICIENCY RED  
YELLOW

QTLP670C-2  
QTLP670C-3

GREEN  
AlGaAs RED

QTLP670C-4  
QTLP670C-7

### PACKAGE DIMENSIONS



NOTE: ALL DIMENSIONS ARE IN INCHES (mm)

### DESCRIPTION

The QT Optoelectronics surface mount lamps are designed with a flat top and sides for automatic placement equipment. They are compatible with convective IR and vapor phase reflow soldering and conductive epoxy attachment process.

The package size and configuration conform to the EIA-535 BAAC standard specification for case 3528 tantalum capacitor.

### FEATURES

- Non-diffused package for backlighting and coupling to light pipe
- Low package profile
- Low power dissipation
- Wide viewing angle

### ABSOLUTE MAXIMUM RATINGS ( $T_A = 25^\circ\text{C}$ Unless otherwise specified)

QTLP	HER 670C-2	Yellow 670C-3	Green 670C-4	AlGaAs Red 670C-7	Units
DC forward current, $I_F$	30	20	30	30	mA
Operating temperature range	-40° C to +85° C				
Storage temperature range	-40° C to +100° C				
Lead soldering time	5 seconds @ 260° C				
Peak forward current <sup>1</sup> , $I_F$	160	160	160	200	mA
Power dissipation $P_d$ (mW)	100	100	100	100	mW
Reversed Voltage ( $V_R$ )	5	5	5	5	V

Notes:

1. Measured @  $f=1.0$  kHz, Duty factor = 1/10

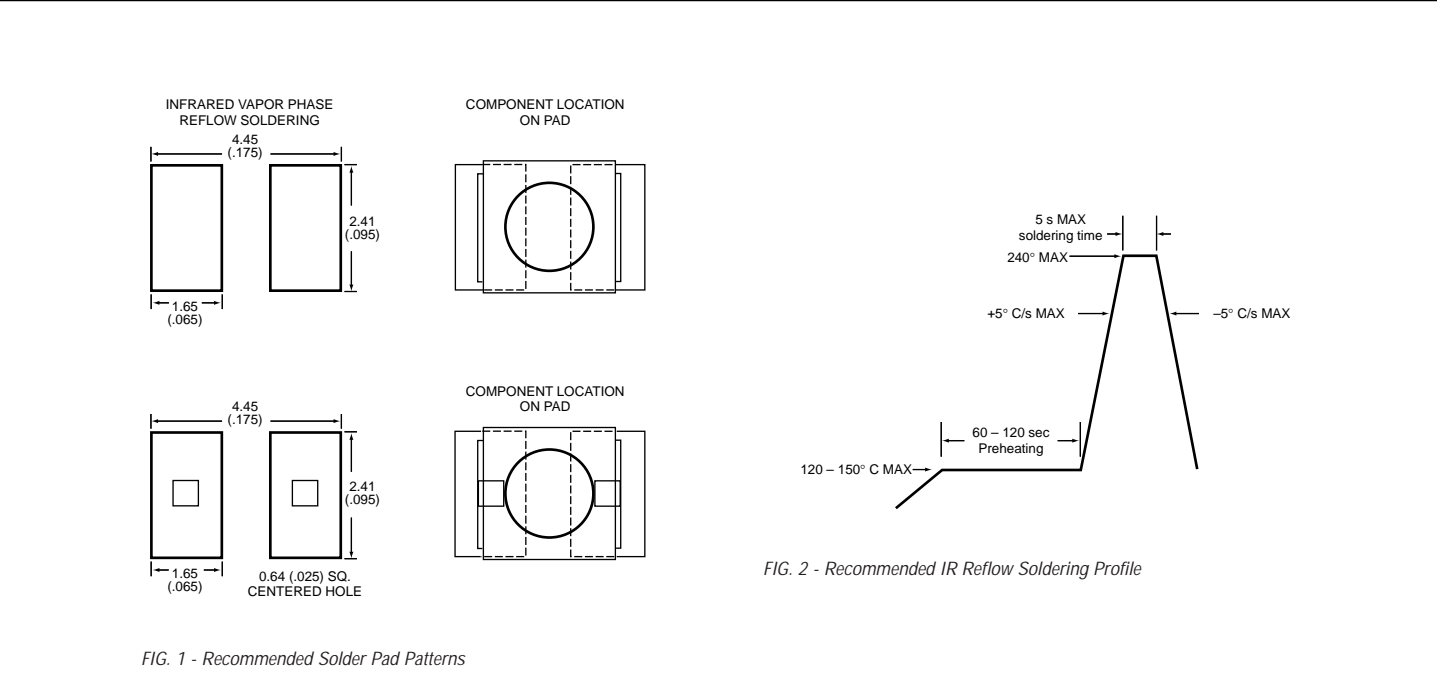
HER = High Efficiency Red

**ELECTRO-OPTICAL CHARACTERISTICS ( $T_A = 25^\circ\text{C}$  Unless otherwise specified)**

**INDIVIDUAL COMPONENT CHARACTERISTICS**

QTLP	HER 670C-2	YELLOW 670C-3	GREEN 670C-4	AlGaAs RED 670C-7	UNITS	TEST CONDITIONS
<b>LUMINOUS INTENSITY</b>						
minimum	6	6	15	25	mcd	$I_F = 20\text{ mA}$
typical	10	10	25	40	mcd	
<b>FORWARD VOLTAGE</b>						
minimum	1.7	1.7	1.7	1.5	V	$I_F = 20\text{ mA}$
typical	2.0	2.0	2.1	1.7	V	
maximum	2.8	2.8	2.8	2.4	V	
PEAK WAVELENGTH	635	585	570	660	nm	$I_F = 20\text{ mA}$
SPECTRAL LINE HALF WIDTH	45	35	30	20	nm	
VIEWING ANGLE	120°	120°	120°	120°		

**SOLDERING**



Notes:  
All dimensions are in millimeters (inches).  
HER = High Efficiency Red

**TYPICAL ELECTRO-OPTICAL CHARACTERISTIC CURVES ( $T_A = 25^\circ\text{C}$ )**

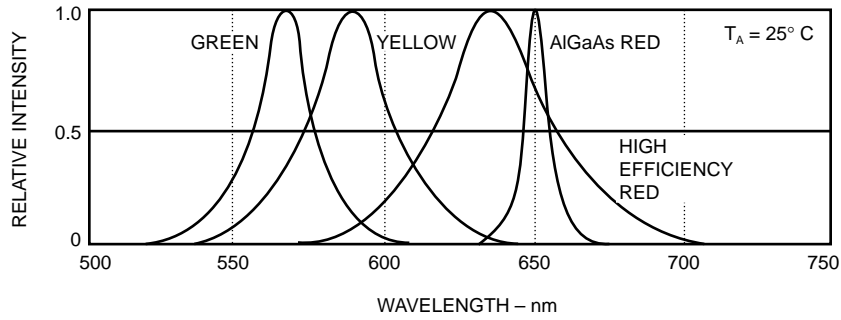


FIG. 3 - Relative Intensity vs. Wavelength

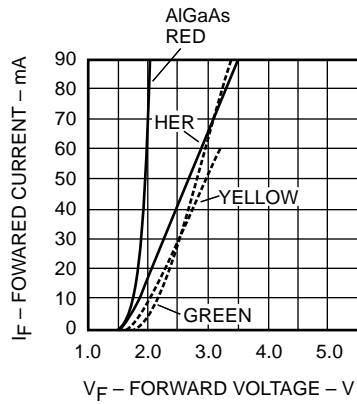


FIG. 4 - Forward Current vs. Forward Voltage

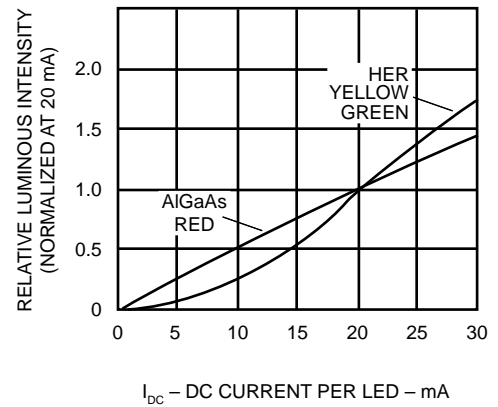


FIG. 5 - Relative Luminous Intensity vs. Forward Current

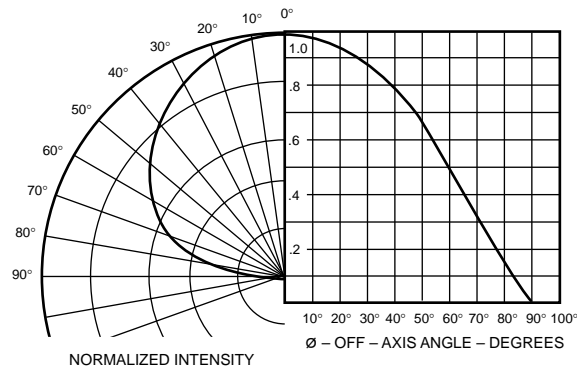
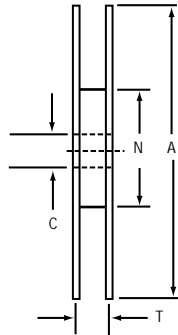
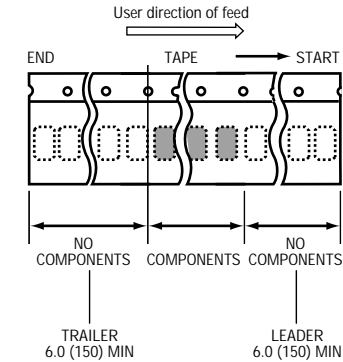


FIG. 6 - Relative Intensity vs. Angular Displacement

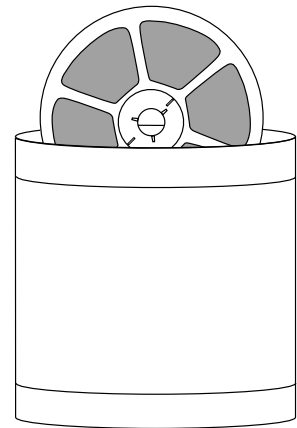
### 8 MM TAPE AND REEL



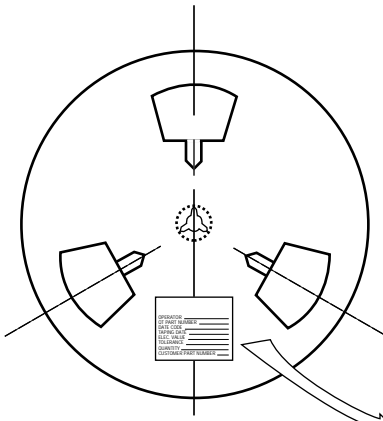
Dimensions per ANSI/EIA Standard RS-481 All dimensions are in millimeters.	
A	7.08 (180) 6.92 (176)
C	0.73 (18.5) DIA 0.69 (17.5)
N	3.19 (81) 3.11 (79)
T	.45 (11.5) .33 (8.5)
Thickness of top cover tape .004 (10) MAX	

**NOTES:**

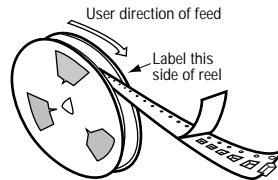
1. All dimensions are in inches (mm).
2. Quantity/Reel: 2,000
3. When ordering tape and reel parts, add suffix ".TR" to part number.



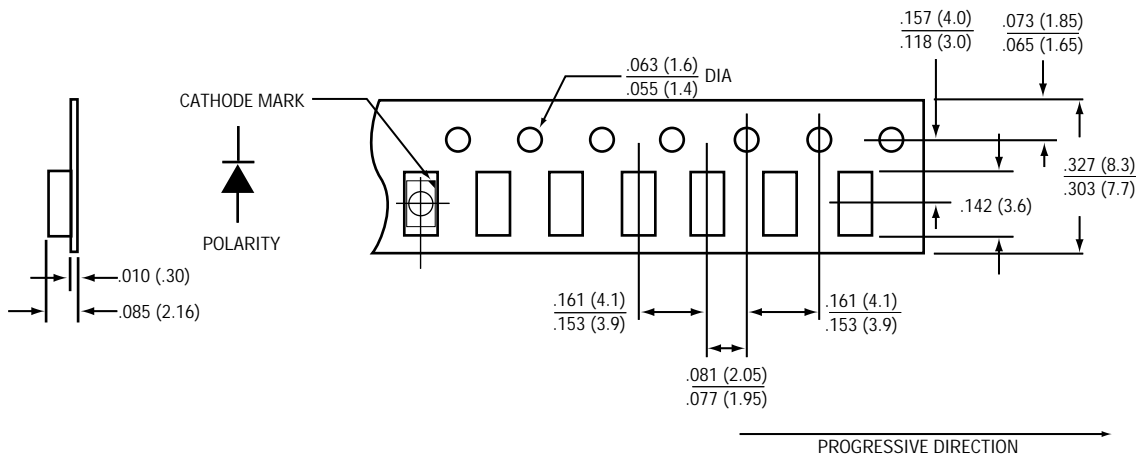
Components are packed in a heat-sealed, moisture-proof aluminum bag.



OPERATOR	_____
QT PART NUMBER	_____
DATE CODE	_____
TAPING DATE	_____
ELEC. VALUE	_____
TOLERANCE	_____
QUANTITY	_____
CUSTOMER PART NUMBER	_____



### TAPE DIMENSIONS



Call QT Optoelectronics for more information or the phone number of your nearest distributor.

United States 800-533-6786 • France 33 1/43.99.25.12 • Germany 49 089/96.30.51 • United Kingdom 44 [0] 1296/39.44.99 • Asia/Pacific 603/735-2417

This datasheet has been download from:

[www.datasheetcatalog.com](http://www.datasheetcatalog.com)

Datasheets for electronics components.