

KYK Hydrogen MAX - Underbench Hydrogen Ionizer & Ozone Water Generator



This cutting-edge water ionizer system features the latest PEM membrane technology, delivering ultra-rich hydrogen water with powerful antioxidant properties that can help you maintain optimal health. Plus, with no limits on how much you can drink, you'll have a continuous source of pure, health-promoting hydration right at your fingertips!

Please keep in mind that **the faucet is an electronic device that needs to be kept dry**. To clean it, you can use a dry microfiber cloth, but avoid showering or spraying water directly onto the faucet.

Operation: please note that the control functions for this product are exclusively operated through the faucet. Consequently, the touch function on the under-sink unit itself is intentionally disabled.

KYK Hydrogen MAX - Underbench Hydrogen Ionizer & Ozone Water Generator

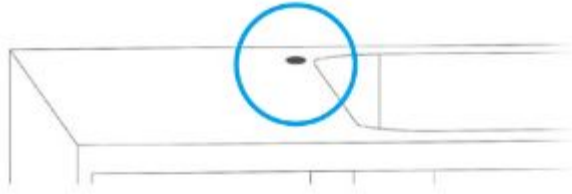
Drinking direction: For regular consumption, drink the standard regular level of hydrogen water. It is recommended to consume this level on a regular basis. However, if you need to increase your body's healing abilities or require an overall boost, then consider drinking the stronger version of hydrogen water.

As a cooking option, the 'Strong hydrogen water' can generally be used. Moreover, the KYK HYDROGEN MAX provides Ozone Water that is powerful enough to kill viruses, including the Coronavirus Sars and Covid 19 within seconds of contact. It is a safe option for sterilizing and disinfecting surfaces, as well as for soaking vegetables and fruits for a minute or for general cleaning.

To sterilize surfaces, the KYK HYDROGEN MAX offers strong and safe Ozone Water that can be used for disinfecting and sterilizing surfaces, fruits, and vegetables

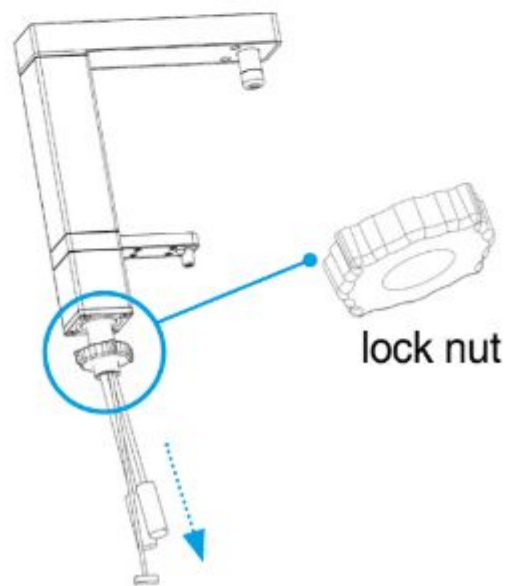
Before installing and operating this product, be sure to read the following points carefully and take special note of all Safety Precautions.

1. **Install the main unit under the sink on a flat horizontal surface and not on a sloping surface. This will cause the product to stop working.**
2. **Install with the main unit under the sink in a position higher than the waste water drain outlet. (It is possible for the waste outlet to be 1/3rd of the way up the Machine, any higher than this and the ozon water will not be discharged from the tubing)**
3. **The hose from the main unit to the faucet must not exceed 50cm.**
4. This product uses 220V only, and the power plug must be a 220V outlet with a ground terminal.
5. Ensure the power plug is installed away from any wet water and where it can get wet. It needs to be kept safe and dry free from dust and dirt.
6. If the electrical plug is broken, do not use the KYK product
7. Do not connect to mini electrical plugs to one power supply
8. Do not place heavy objects on the KYK product
9. Ensure the power cord into the main unit's body is installed away from any wet water and where it can get wet. It needs to be kept safe and dry.
10. Be careful not to let water enter or damage the power plug. It may cause electric shock or fire.
11. Do not install and use in a humid place such as a bathroom or outdoors, or near a place with fire or inflammable materials.
12. Do not drop or disassemble the product.
13. Use a dry microfiber cloth to clean the faucet
14. Keep out of direct sunlight or heat
15. When not using the product for a long time, unplug the power plug from the power supply.
16. Do not move the product while the power is connected.
17. Do not wipe the product with thinner, benzene, wax, alcohol, or chemical cleaners etc.
18. When you have not use this product for more than two days, run water through it for 1 to 2 minutes before using.
19. If you are not going to use this product for a long time (over one week), we recommend unplugging the unit and removing the filters, so they dry out.
20. Be careful when changing the filters to not damage the O-ring.
21. Do not use water supply that does not comply with the water quality standard law. Do not use, well water, ground water, contaminated water, hot water above 35°C, water containing metals, salt, lime, etc.
22. If the product is leaking water or water is accumulated around the product, turn off the water valve and remove the power plug. Then submit to our Customer Care Center

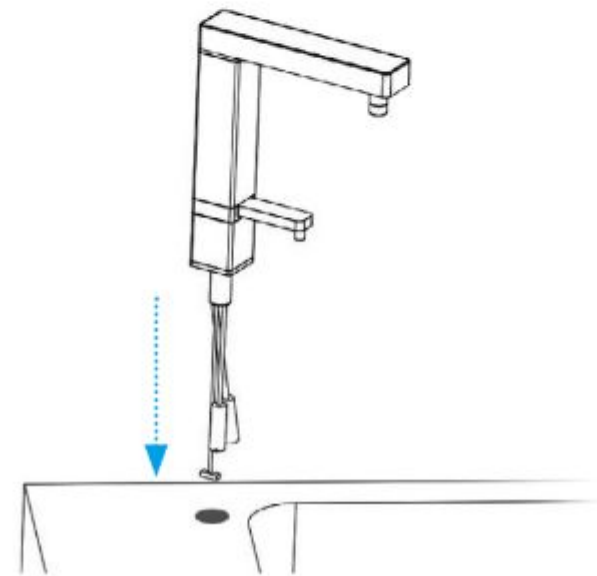


① After selecting an appropriate location to install the faucet on the sink bench top, use a Ø21mm drill bit or 21mm hole saw cutter to make a hole. Remove all sharp edges.

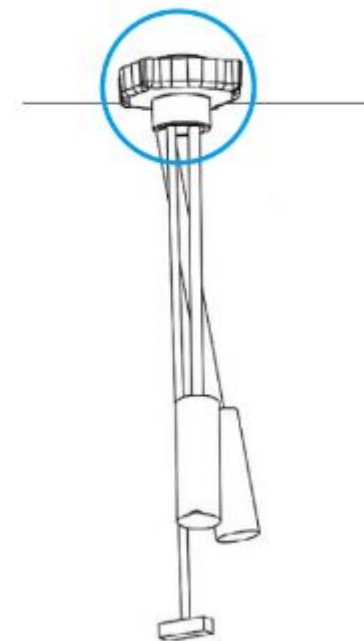
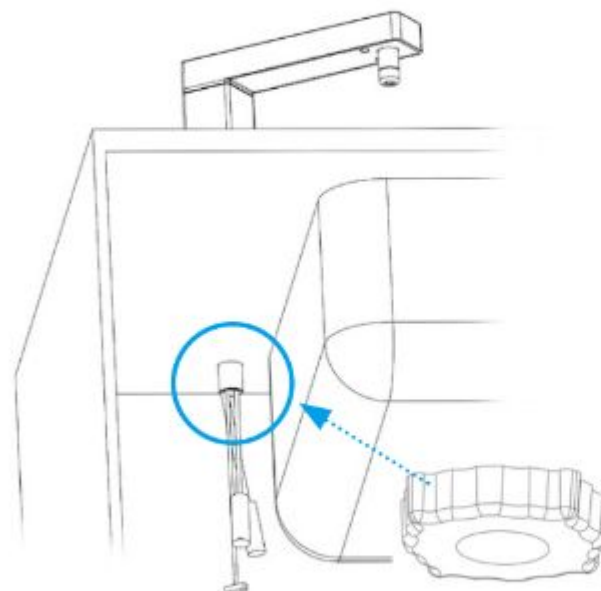
※ Be careful when selecting the location to drill the hole. There needs to be enough space around the hole so that the faucet can sit flat on the sink bench top. Place Ozone sterilized water (acidic water) outlet so that the outlet is located well over the sink.



② When the hole is completed in the desired location, loosen the lock nut attached to the bottom of the faucet body and insert the lower end into the hole.



③ When the hole is completed in the installation location, loosen and remove the locking nut attached to the faucet body and insert the tubes into the hole.



④ Before attaching the faucet to the hole, reassemble the locking nut underneath the sink. Tighten tightly to prevent loosening during operation.

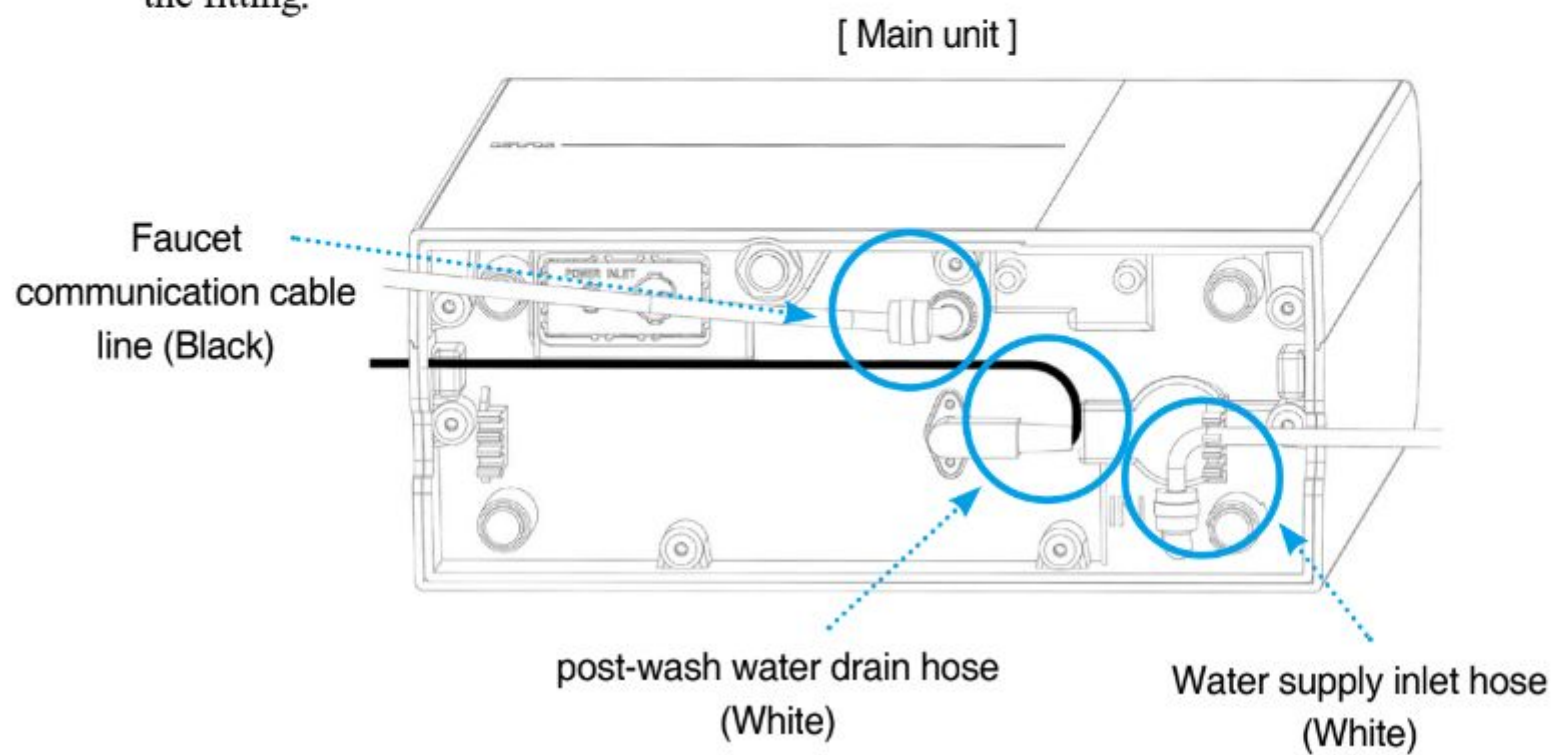
Cold water Feed:

Plumb in the tee-line diverter valve into your cold water supply, downstream of this you can then install the pressure reducing valve.

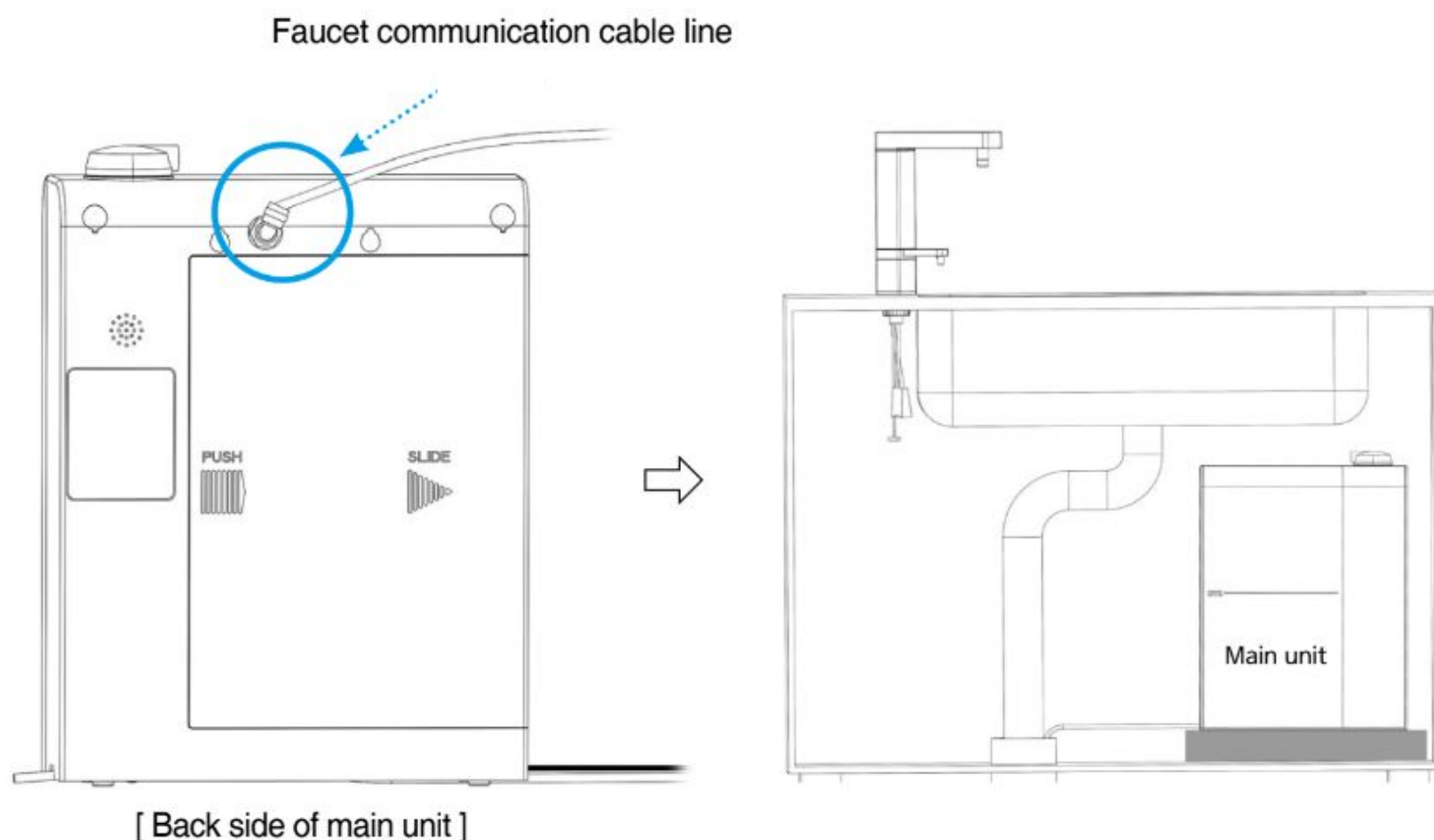
The KYK hydrogen ioniser offers a **flow rate range of 0.8 – 2.0 liters per minute**. It's a delicate balance between achieving a faster flow of up to 2.0 liters per minute and maintaining efficient hydrogen production at lower flow rates, such as 1.0 liter per minute. For my home, I'm inclined to target a flow rate of approximately 1.6 liters per minute. Turn the tee line diverter valve to closed again. Connect this above tube to the machine inlet. (Water supply inlet hose (White)). Connect the Acid outlet on the bottom of the unit to the waste saddle or catchment vessel. Connect the signal cable to the bottom of the main unit.

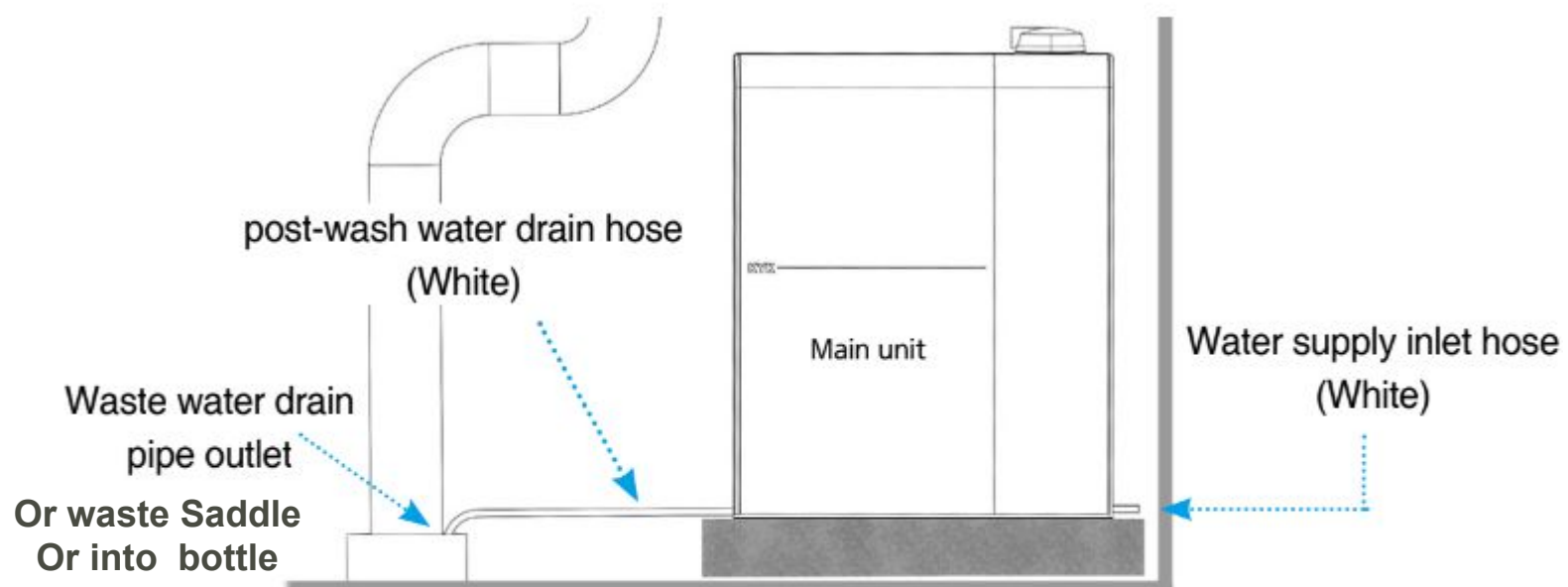
- ① After preparing the main unit to be installed under the sink, connect the raw imported water hose, acidic water outlet hose and signal cable to the bottom of the main unit.

※ When fitting the hose, make sure to push it all the way in so that the hose does not come out of the fitting.

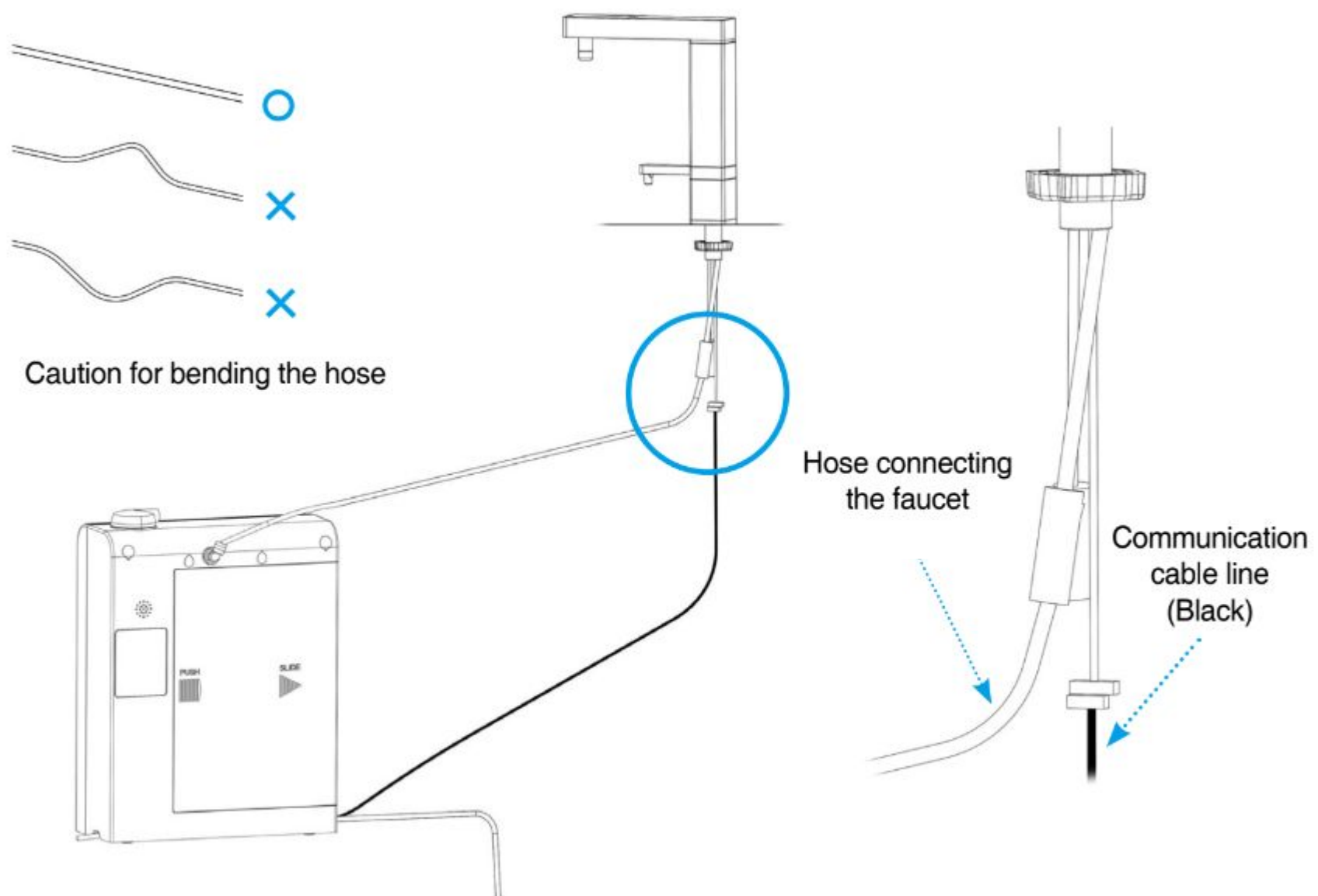


- ② Connect the blue hose on the back of the main unit as indicated below.
Place the main unit in a suitable position under the sink.





③ Insert the post-wash water drain hose into the waste water drain pipe outlet. This hose drains washing water during post-cleaning. If the height of the drain pipe is higher than the main body, use a pedestal or stand etc., and place the main unit higher than the drain pipe outlet. If the inlet of the waste water drain pipe is higher than the main unit, cleaning waste water may collect in the hose and cause the unit to stop working.



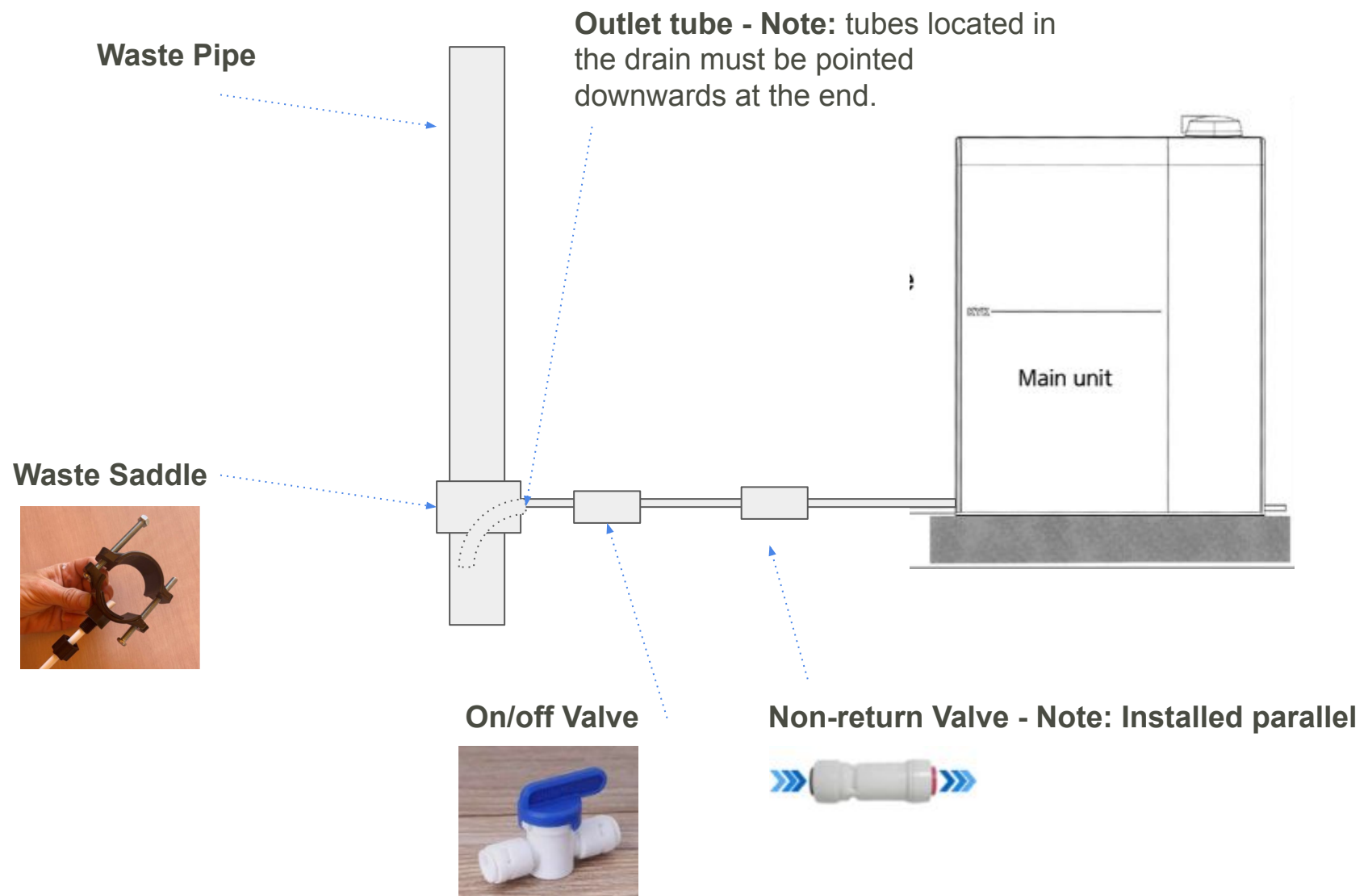
Plug the machine in to the power and turn the machine on using the control panel on the faucet.
Wait a few seconds before pressing any buttons.
Note: flush the first run of water for 2-3 minutes or until it's running clear.

The Outlet tube Options

It is normal that there is almost no wastewater generated from the hydrogen water generator. Therefore owners will often feed the outlet tube into a bottle located below the machine. Place this in a place that can be easily seen to ensure it never overflows

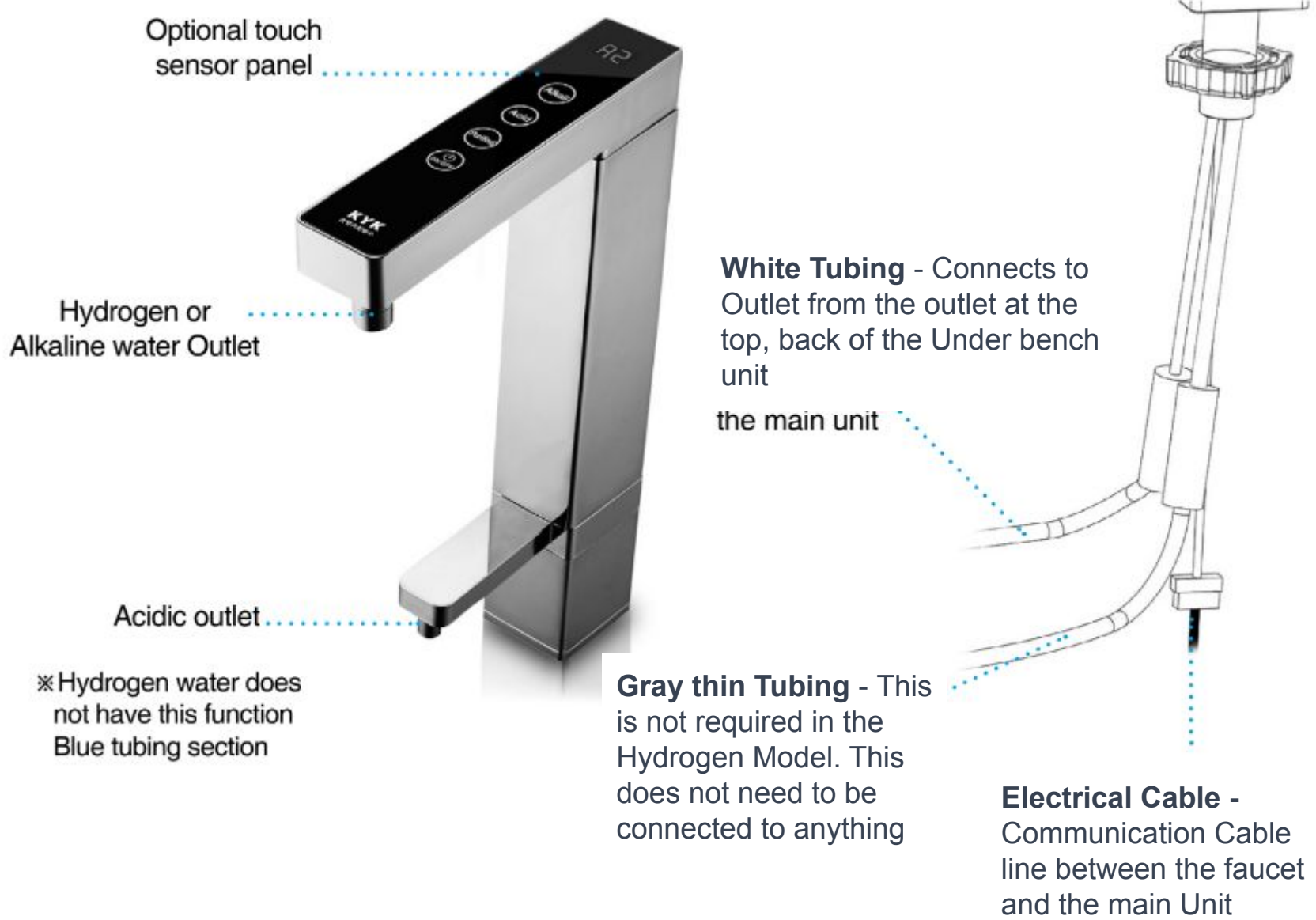
If you would prefer to install the outlet tube into the water pipe using a drain saddle, make sure to do the following:

1. Install a “non-return Valve”, these typically have a spring inside to open it when a certain amount of water pressure is applied..however the wastewater from the hydrogen water generator has no water pressure, therefore make sure the non-return valve has no spring so it is normally open or closed with very weak force. Even if there is no water pressure, the normally flowing water passes through and closes only when the water flows backward.
2. Make sure the outlet tube, once inside the waste pipe (through the drain saddle) is point downward.
3. Install the On/off valve. This can be used if you drain is ever blocked to ensure no water goes into the machine

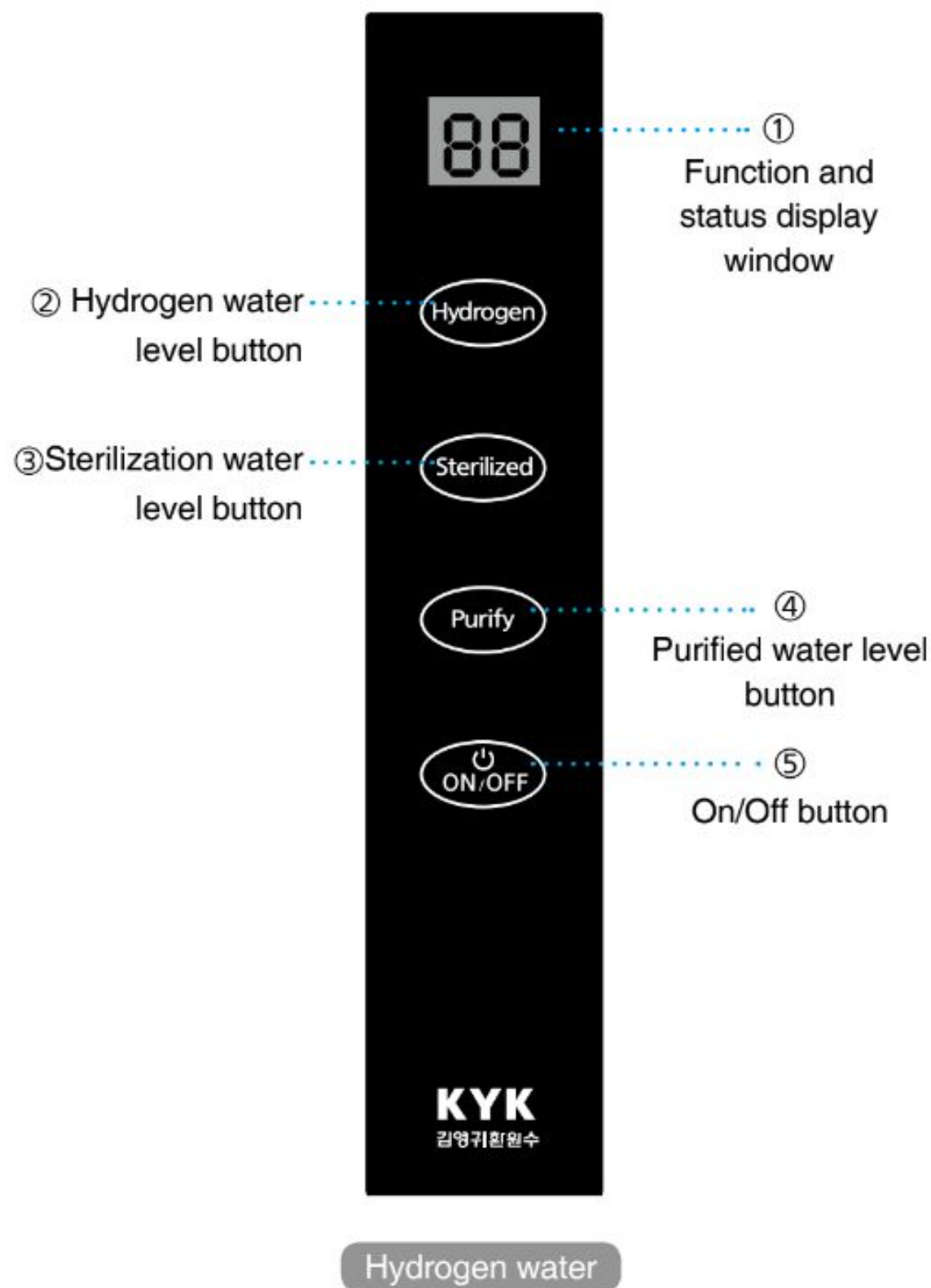


Product name	Undersink faucet (KUF)
Applied model (body)	Hym3+
Manufacturer	KYK Co., Ltd.
Address	#407~410, Sun il technopia, 555, Dunchon-daero, Jungwon-gu, Seongnam si, Gyeonggido, Korea
Serial number and date of manufacture	Refer to the back of the product
Dimension and weight	▪ Size: 45mm (W) x 210mm (D) x 290mm(H) ▪ Weight: 1.8kg
Power	The faucet is powered by the main unit via the communication cable.
Water supply	Undersink supply is connected directly to the cold-water supply.
How to operate	Touch sensor method
User temperature	5~35°C
Configuration	<ol style="list-style-type: none"> (1) Touch panel configuration (2) Consist of touch button and FND display, Press the touch screen buttons to display operation status (3) Faucet required a mina unit to operate, and receiving power from the main unit Filter replacement time
Filter replacement time	<ol style="list-style-type: none"> (1) The replacement filter life differs and depends on the product under the sink (2) When it is time to replace the filter. The display will change to indicate it is time to replace the filter. (3) If the quality of the incoming cold water is poor, then the outflow water could start smelling bad or the water starts to tastes bad. This means that the filter media is used. The filter must be replaced. Even before the filter replacement time is reached. (4) If the quality of the cold water supply is remarkably bad, then it is recommended to install a pre filter the pretreat the water before in inters the main unit (additional external pre-filter).

KYK Hydrogen MAX Faucet



Control Panel and Operating Procedures



① Function and status display window:



Selected the desired type of water and level. The selected water type will display on the screen. Touch the ON/OFF button to start the water dispensing.
Touching the ON/OFF button will stop the water dispensing.

Control Panel and Operating Procedures

② **Hydrogen water level button:**

Whenever the button is pressed with the hydrogen water outlet button, the display window changes as shown below.

H4	H2	or	Hh	Hn
Strong hydrogen water	Weak hydrogen water		Strong hydrogen water	Weak hydrogen water

③ **Sterilization water level button:** This is a button for disinfecting and disinfecting water, and when the button is pressed, it is displayed as following

03 When dispensing water is stopped the level will automatically revert to the lowest level hydrogen water.

When dispensing water is stopped the level will automatically revert to the lowest level hydrogen water. If water is dispensed continuously for 20 minutes or 10L, the unit will automatically start a cleaning and washing cycle. Waste water will be dispensed as part of the cleaning cycle and will stop after the cleaning cycle is completed.

④ **Purified level button:** It is a water level button; the display will step through the following display:

Pu

⑤ **On/OFF button:** Touch the ON/OFF button to start the water dispensing. Touching the ON/OFF button will stop the water dispensing.

KYK Hydrogen MAX

Self-diagnosis and error detection

- ① When it's time to replace the filter, order a replacement filter and then replace the filter.
A display will show in the display window when it is time to replace the filter as shown below.

Fc → 1

- ② If there is a problem with the filter, order a replacement filter and then replace the filter.
A display will show in the display window as shown below, and a warning sound will sound.

FE → 2

- ③ If there is abnormality level of water pressure, then display will show in the display window as shown below, and a warning sound will sound.

Lo Hi
Low pressure High pressure
water water

- ④ When there is an error in communication between the faucet and the main unit, a warning sound will sound with one of the following displays.

cE

FE means there is an issue reading the filter. It will tell you which filter specifically using the number. For eg **FE 3**.

This is either due to the cable not being inserted properly or the filter has a faulty filter chip. Chip failure can happen if the unit is not unplugged from the wall. Please contact us for instructions