



STARBORN®

GUIDE TO DECK AND TRIM FASTENING

**PRO PLUG® SYSTEM
DECKFAST®**

**CAP-TOR® xd
HEADCOTE®**

**FASCIA SYSTEM
SMART-BIT®**

ABOUT US

Our goal at Starborn is to provide professional contractors, as well as, leading building materials distributors and dealers nationwide with quality construction fasteners and innovative fastening solutions that bring value to their business.

Founded in 1961, Starborn Industries originally provided wood products to the building industry, but by the early 1980's construction fasteners became our primary product line. Since the late 1990's, Starborn has focused its fastener line on deck fastening solutions. We carefully monitor the decking industry and work closely with decking manufacturers to ensure the best fastening solutions for all types of deck installations as shown by our current offering of proprietary and patented products. These include CAP-TOR® xd, DECKFAST®, PRO PLUG® SYSTEM, SMART-BIT®, and others as shown in this catalog. New product development is continuous and ongoing. Our constant goal of inventing and providing innovative fastening solutions has made Starborn a leading provider of fasteners in the decking industry worldwide. We are the deck fastening specialists.

TO OUR CUSTOMERS

We value your business. We value your relationship. Your success is our success. Our commitment is to continue to provide you with superior service and knowledgeable support for all of your fastener needs.

STARBORN INDUSTRIES is located in Edison, NJ and is an independent, second generation family-owned and operated business.

STARBORN® Structural Code Compliant Structural Wood Screws	2
DECKFAST® Epoxy Color Matched Screws for Pressure Treated Lumber and PVC Trim	4
DECKFAST® Stainless Stainless Steel Screws for Hardwood, Cedar, Redwood and Pressure Treated Decking	6
HEADCOTE® Stainless Stainless Steel Screws With Color Coated Heads for Hardwood, Cedar, Redwood, Pressure Treated Decking, PVC Trim and Deck Fascia	8
CAP-TOR® xd Epoxy/Stainless Color Matched Screws for Composite and PVC Decking and Cladding	10
CAP-TOR® xd Collated Collated Strips for use with Muro® Auto Feed Driving Tool	12
CAP-TOR® xd Metal Color Matched Screws for Composite/PVC Decking and Cladding to Metal Framing	14
FASCIA SYSTEM Epoxy/Stainless Composite Fascia Board and Cladding	16
PRO PLUG® SYSTEM Deck Hidden Fastener for PVC/Composite Decking and Cladding	18
PRO PLUG® SYSTEM Trim Hidden Fastener for PVC Trim Board	20
PRO PLUG® SYSTEM Fascia Hidden Fastener for Composite Fascia Board and Cladding	22
PRO PLUG® SYSTEM Wood Hidden Fastener for Wood Decking and Flooring	24
SMART-BIT® Predrilling and Countersinking Tool For use with HEADCOTE® and DECKFAST® Stainless Screws	26
SMART-BIT® Depth Setter Tool Driving Tool for Setting Screws to the Perfect Depth	28

STARBORN[®] STRUCTURAL

Code Compliant Wood Screws



APPLICATION

Starborn Structural screws are fully tested and code compliant alternatives to traditional lag screws and through-bolts, with no predrilling required. Designed to save time and reduce labor, these structural screws can be used in a variety of applications including deck ledgers, deck substructures, landscape timbers, fences, pergolas, carrying beams, timber frames and more.

FEATURES

- IRC/IBC code compliant (DrJ TER 1703-05)
- No predrilling
- Superior design values and performance
- Speed-Knurl™ reduces friction for faster installation
- Tri-Forge® Point allows for fast start and reduces driving torque

INSTALLATION

- Starborn Structural screws should be installed using an impact driver or high-torque low speed drill.
- Predrilling is not required, but can be used where lumber is prone to splitting.
- For the H19 screw drive until washer head is flush to wood surface or countersink head flush.
- For the H23, F23, F23-E and F23-W screws drive until washer is drawn firm and flush. Do not overdrive or countersink

TECHNICAL GUIDES

TECHNICAL GUIDE	PRODUCT	
Deck Ledger to Rim Joist	H23	F23
Ledger to Stud with 0, 1, or 2 Layers of 5/8" Gypsum	H23	F23
Truss or Rafter to Top Plate	H19	
Multi-Ply Engineered Wood Connections	F23-E (Interior)	
Multi-Ply Dimensional Wood Connections	F23-W (Interior)	F23
Cladding Over Foam Sheathing	F23	
Bottom Plate to Rim Board	H19	
Screw Properties and Design Values	All	

For more information including technical guides and code compliance reports, visit starbornindustries.com.

FINISH

Black exterior coating
Gray E-Coat

CORROSION

Black exterior coating: H19, H23 and F23 | Approved for use in ACQ and pressure treated lumber.

Gray interior coating: F23-E and F23-W | Interior Use Only.

Starborn Structural screws are not designed for use in or near saltwater environments.

DRIVE SYSTEM

Hex Head
Star drive

DESIGN FEATURES



Hex Head
For maximum driveability



Low Profile Flat Head
T40 star drive eliminates cam-out



Speed-Knurl™
Reduces friction for faster installation



Tri-Forge™ Point
Fast start, minimal splitting, reduced driving torque



STARBORN® STRUCTURAL PACKAGING H19



LENGTH	20 PC		50 PC		250 PC	500 PC
	ITEM NO	CASE QTY	ITEM NO	CASE QTY	ITEM NO	ITEM NO
2-7/8"	XH19CL0288	6	XH19CT0288	6	XH19CQ0288	XH19CV0288
4"	XH19CL0400	6	XH19CT0400	6	XH19CQ0400	XH19CV0400
6"	XH19CL0600	6	XH19CT0600	6	XH19CQ0600	XH19CV0600
8"	XH19CL0800	6	XH19CT0800	3	XH19CQ0800	
10"	XH19CL1000	6	XH19CT1000	3	XH19CQ1000 (200PC)	

STARBORN® STRUCTURAL PACKAGING H23



LENGTH	20 PC		50 PC		250 PC	500 PC
	ITEM NO	CASE QTY	ITEM NO	CASE QTY	ITEM NO	ITEM NO
4"	XH23CL0400	6	XH23CT0400	6	XH23CQ0400	XH23CV0400
5"	XH23CL0500	6	XH23CT0500	6	XH23CQ0500	XH23CV0500

STARBORN® STRUCTURAL PACKAGING F23



LENGTH	20 PC		50 PC		250 PC	500 PC
	ITEM NO	CASE QTY	ITEM NO	CASE QTY	ITEM NO	ITEM NO
2-7/8"	XF23CL0288	6	XF23CT0288	6	XF23CQ0288	XF23CV0288
4"	XF23CL0400	6	XF23CT0400	6	XF23CQ0400	XF23CV0400
5"	XF23CL0500	6	XF23CT0500	6	XF23CQ0500	XF23CV0500
6"	XF23CL0600	6	XF23CT0600	6	XF23CQ0600	XF23CV0600
8"	XF23CL0800	6	XF23CT0800	3	XF23CQ0800	
10"	XF23CL1000	6	XF23CT1000	3	XF23CQ1000 (200PC)	

DECKFAST®

Epoxy

Exterior Wood Screw



APPLICATION

Color Matched Screws for Pressure Treated Lumber and PVC Trim.

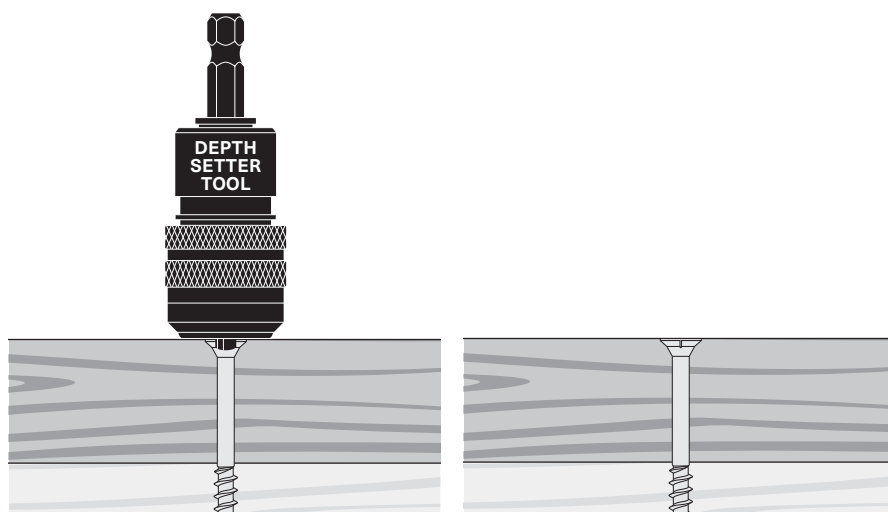
- Flat Head—For use in pressure treated decking.
- Trim Head—For use in pressure treated trim and finish applications.

FEATURES

- For excellent corrosion resistance and color matching with various types of treated lumber and PVC trim (Gray, Green, Red, Tan, White)
- Lengths from 1-1/4" to 6"
- Reinforced flat or trim head with nibs for better countersinking
- Extra deep star drive recesses to prevent cam-out
- Type 17 auger tip for faster, easier insertion and to help prevent splitting

INSTALLATION

- Install flush with decking surface. Do not overdrive.
- Install two screws per joist.
- Predrilling is recommended when fastening within 1-1/2" from the end of a deck board.



FINISH

Epoxy Coated

CORROSION

Exterior use—Approved for use in ACQ and pressure treated lumber.

For salt water or other areas where corrosion is a concern, use MarineGrade 316 Stainless.

DRIVE SYSTEM

Star drive

TOOL COMPATIBILITY

SMART-BIT® Depth Setter Tool

AVAILABLE COLORS



*White (#39) available only in Trim Head—2" and 2-1/2" lengths

FLAT HEAD PACKAGING



LENGTH	DRIVE TYPE	COUNT PACKAGING			POUND PACKAGING		
		RETAIL PACKS	JOB PACKS	BULK	1 LB	5 LBS	9 LBS
1-1/4"	T-20	100	500	8000	•	•	•
1-5/8"		100	500	5000	•	•	•
2"		100	500	3500	•	•	•
2-1/2"	T-25	75	250	2500	•	•	•
3"		75	250	2000	•	•	•
3-1/2"		50	250	1000	•	•	•
4"		50	250	1000	•	•	•
5"		30	–	500	•	–	•
6"	30	–	500	•	–	•	

TRIM HEAD PACKAGING



LENGTH	DRIVE TYPE	COUNT PACKAGING			POUND PACKAGING		
		RETAIL PACKS	JOB PACKS	BULK	1 LB	5 LBS	9 LBS
1-5/8"	T-20	100	500	5000	•	•	•
2"		100	500	3500	•	•	•
2-1/2"		75	250	2500	•	•	•
3"		75	250	2000	•	•	•
3-1/2"		50	250	1000	•	•	•
4"		50	250	1000	•	•	•

DECKFAST®

Stainless

Exterior Wood Screw



APPLICATION

Stainless steel screws for hardwood, cedar, redwood and pressure treated decking.

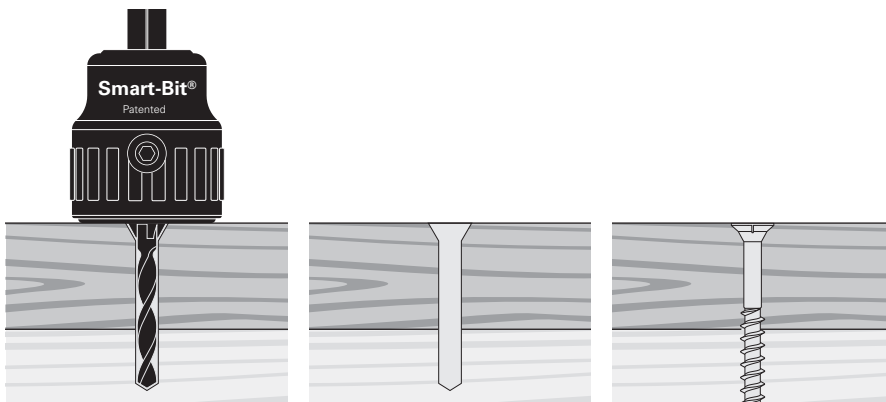
- Flat Head—For hardwood, cedar, redwood and pressure treated decking.
- Trim Head—For hardwood, cedar and redwood; pressure treated trim and finish applications.

FEATURES

- Grade 305 and Marine Grade 316 stainless steel for superior corrosion resistance
- Lengths from 1-1/4" to 3-1/2"
- Reinforced flat or trim head with nibs for better countersinking
- Extra deep star drive recesses to prevent cam-out
- Type 17 auger tips for faster, easier insertion and to help prevent splitting

INSTALLATION

- Predrilling required for hardwoods and in all cases when fastening within 1-1/2" from the end of a deck board.
- Slightly countersink screw head. Do not overdrive.
- Recommended: For a clean and professional finish use SMART-BIT® Predrilling and Countersinking Tools in combination with screws.



FINISH

Grade 305 Stainless
Marine Grade 316 Stainless

CORROSION

Exterior use—Approved for use in ACQ and pressure treated lumber.

For salt water or other areas where corrosion is a concern, use Marine Grade 316 Stainless.

DRIVE SYSTEM

Star drive

TOOL COMPATIBILITY

SMART-BIT® Predrilling and Countersinking Tool
SMART-BIT® Depth Setter Tool



FLAT HEAD PACKAGING

LENGTH	DRIVE TYPE	COUNT PACKAGING			POUND PACKAGING		
		RETAIL PACKS	JOB PACKS	BULK	1 LB	5 LBS	9 LBS
6 x 1-1/4"	T-20	100	500	5000	•	•	•
8 x 1-5/8"		100	500	4000	•	•	•
8 x 2"		100	500	3000	•	•	•
10 x 2-1/2"	T-25	75	250	2000	•	•	•
10 x 3"		75	250	1500	•	•	•
10 x 3-1/2"		50	250	1000	•	•	•



TRIM HEAD PACKAGING

LENGTH	DRIVE TYPE	COUNT PACKAGING			POUND PACKAGING		
		RETAIL PACKS	JOB PACKS	BULK	1 LB	5 LBS	9 LBS
7 x 1-5/8"	T-15	100	500	5000	•	•	•
7 x 2-1/4"		75	250	3000	•	•	•
8 x 2-1/2"	T-20	75	250	2500	•	•	•
8 x 3"		75	250	2000	•	•	•

HEADCOTE®

Stainless

Deck Screws



APPLICATION

Stainless steel screws with color coated heads for hardwood, cedar, redwood, pressure treated decking, PVC fascia and trim boards.

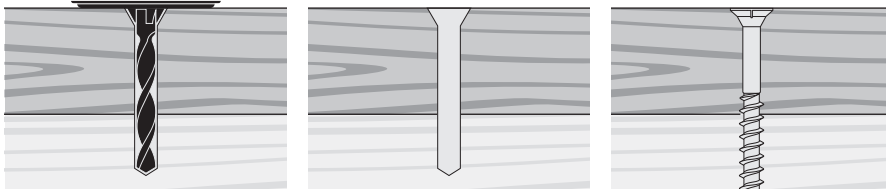
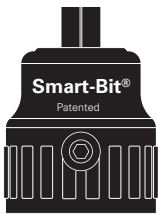
- Flat Head—For hardwood, cedar, redwood, composite/PVC and pressure treated decking.
- Trim Head—For hardwood, cedar, redwood, composite/PVC, pressure treated decking (finish applications) and PVC trim.

FEATURES

- Grade 305 and Marine Grade 316 stainless steel for superior corrosion resistance
- Lengths from 1-5/8" to 3"
- Reinforced flat or trim head with nibs for better countersinking
- Extra deep star drive recesses to prevent cam-out
- Type 17 auger tips for faster, easier insertion and to help prevent splitting
- Approved for use in ACQ and other pressure treated lumber

INSTALLATION

- Predrilling required for hardwoods and in all cases when fastening within 1-1/2" from the end of a deck board.
- Slightly countersink screw head. Do not overdrive.
- Recommended: For a clean and professional finish use SMART-BIT® Predrilling and Countersinking Tools in combination with screws.



FINISH

Grade 305 Stainless
Marine Grade 316 Stainless

CORROSION

Exterior use—Approved for use in ACQ and pressure treated lumber.

For salt water or other areas where corrosion is a concern, use MarineGrade 316 Stainless.

DRIVE SYSTEM

Star drive

TOOL COMPATIBILITY

SMART-BIT® Depth Setter Tool
SMART-BIT® Predrilling and Countersinking Tool

AVAILABLE COLORS



HEADCOTE® COLORS TRIM

LENGTH	AVAILABLE COLORS
	305 STAINLESS
7 x 1-5/8"	31, 34, 37, 39, 43, 45, 51, 53, 54, 61, 63, 64, 65, 71, 73, 81, 82
7 x 2-1/4"	34, 37, 38, 39
8 x 2-1/2"	31, 34, 37, 39, 54, 55, 64, 65, 71, 73, 81, 82, 87, 94
8 x 3"	31, 34, 37
LENGTH	316 STAINLESS
7 x 1-5/8"	34, 39, 54, 64
8 x 2-1/2"	34, 39, 54, 64

HEADCOTE® COLORS FLAT

LENGTH	AVAILABLE COLORS
	305 STAINLESS
8 x 2"	34, 37
10 x 2-1/2"	31, 34, 37
10 x 3"	

FLAT HEAD PACKAGING



LENGTH	DRIVE TYPE	COUNT PACKAGING				
		RETAIL PACK	DECK PACK	CONTRACTOR PACK	PRO PACK	BULK
2"	T-20	100	350	1050	-	3000
2-1/2"	T-25	100	250	1050	1750	2000
3"		85	265	1050	1750	1500

TRIM HEAD PACKAGING



LENGTH	DRIVE TYPE	COUNT PACKAGING				
		RETAIL PACK	DECK PACK	CONTRACTOR PACK	PRO PACK	BULK
1-5/8"	T-15	100	350	1050	-	5000
2-1/4"		100	350	-	-	3000
2-1/2"	T-20	100	350	1050	1750	2500 (305 SS Only)
3"		-	350	1050	1750	2000

CAP-TOR[®] xd

Epoxy/Stainless

Composite/PVC Deck Screws



APPLICATION

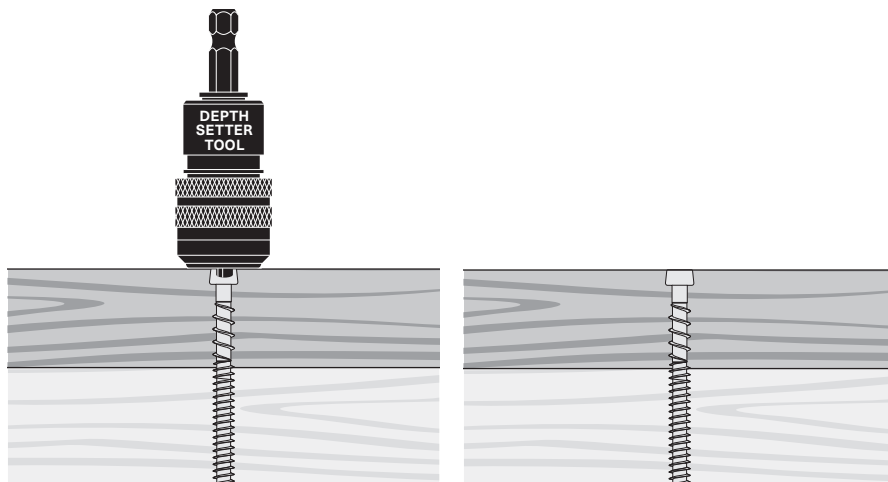
Color matched deck screw available in a variety of colors to match all of the leading composite/PVC deck boards and cladding on the market.

FEATURES

- Extra deep star drive recess to prevent cam-out
- Undercut head to cut cleanly through the hard outer layer of capstock decking
- Reverse threads to prevent mushrooming and surface defects
- Tri-lobular shanks and thread to reduce driving torque
- Type 17 auger tips for faster, easier insertion and to help prevent splitting
- Available in a variety of colors

INSTALLATION

- Install flush with decking surface. Do not overdrive.
- Install two screws per joist.
- Predrilling is recommended when fastening within 1" from the end of a deck board.
- Recommended: For a clean and professional finish use the SMART-BIT[®] Depth Setter Tool in combination with screws.



FINISH

Epoxy coated
Grade 305 Stainless
Marine Grade 316 Stainless

CORROSION

Exterior use—Approved for use in ACQ and pressure treated lumber.

For salt water or other areas where corrosion is a concern, use Marine Grade 316 Stainless.

DRIVE SYSTEM

Star drive

TOOL COMPATIBILITY

SMART-BIT[®] Depth Setter Tool

AVAILABLE COLORS



CAP-TOR® XD COLORS

LENGTH	AVAILABLE COLORS	
	EPOXY	
10 x 2"	34, 37, 54, 73, 81	
10 x 2-3/4"	31, 34, 37, 43, 53, 54, 55, 63, 64, 65, 71, 73, 81, 82, 87, 94	
LENGTH	305 STAINLESS	
10 x 2"	01	34, 37, 54, 73, 81
10 x 2-1/2"		31, 34, 37, 39, 43, 45, 51, 53, 54, 55, 63, 64, 65, 71, 73, 81, 82, 87, 94,
10 x 2-3/4"	-	31, 34, 37, 39, 43, 45, 48, 51, 53, 54, 55, 63, 64, 65, 71, 73, 81, 82, 87, 94
LENGTH	316 STAINLESS	
10 x 2-1/2"	01	31, 34, 37, 39, 43, 53, 54, 55, 63, 64, 65, 71, 73, 81, 82
10 x 2-3/4"		31, 34, 37, 39, 43, 45, 48, 51, 53, 54, 55, 63, 64, 65, 71, 73, 81, 82, 87, 94

CAP-TOR® XD PACKAGING

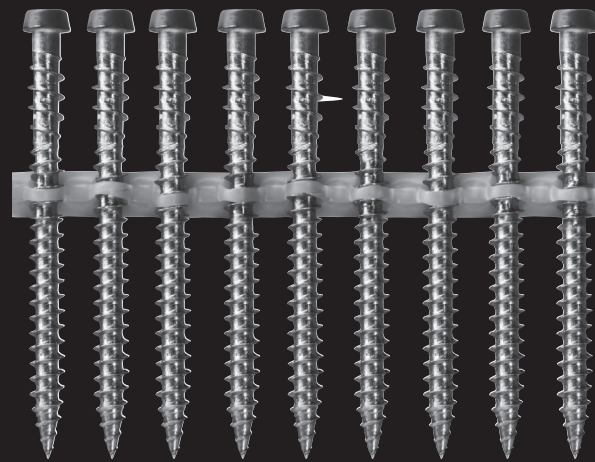


LENGTH	FINISH	DRIVE TYPE	COUNT PACKAGING			
			RETAIL PACK	DECK PACK	CONTRACTOR PACK	PRO PACK
2"	Epoxy	T-20	100	350	-	1750
2-3/4"						
2"	305 Stainless	T-20	100	350	1050	1750
2-1/2"						
2-3/4"	316 Stainless	T-20	100	350	1050	1750
2-1/2"						
2-3/4"						

CAP-TOR[®] xd

Collated

Collated Strips For Use With
Muro[®] Auto Feed Driving Tool



APPLICATION

Auto-feed color matched deck screw strip for composite/PVC deck boards and cladding.

FEATURES

- Increase productivity with faster installation
- Muro[®] Ultra Driver works with corded or cordless motor options.
- Fast and easy strip loading
- 30 screws per strip/1500 screws per pack
- Available in a variety of colors
- Approved for use in ACQ and other pressure treated lumber

INSTALLATION

- Load screw strip into tool.
- Set countersink adjustment so screws are installed flush to surface.
Do not overdrive.
- For best results, fastener perpendicular to deck board two screws per joist.
- Predrilling is recommended when fastening within 1" from the end of a deck board.



Muro[®] Ultra Drive

FINISH

Epoxy coated
Grade 305 Stainless
Marine Grade 316 Stainless

CORROSION

Exterior use—Approved for use in ACQ and pressure treated lumber.

For salt water or other areas where corrosion is a concern, use Marine Grade 316 Stainless.

DRIVE SYSTEM

Star drive

TOOL COMPATIBILITY

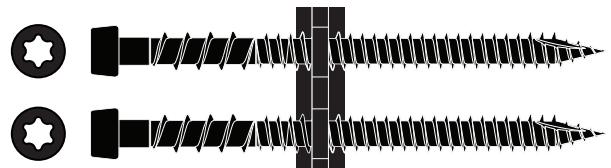
Muro[®] CH7390 Ultra Driver Tool
with custom Starborn attachment

AVAILABLE COLORS



CAP-TOR® XD COLLATED COLORS

LENGTH	AVAILABLE COLORS	
	EPOXY	
10 x 2-3/4"	31, 34, 37, 43, 53, 54, 55, 63, 64, 65, 71, 73, 81, 82, 87, 94	
LENGTH	305 STAINLESS	
10 x 2-1/2"	01	31, 34, 37, 39, 43, 45, 51, 53, 54, 55, 63, 64, 65, 71, 73, 81, 82, 87, 94
10 x 2-3/4"	-	
LENGTH	316 STAINLESS	
10 x 2-1/2"	01	31, 34, 37, 39, 43, 53, 54, 55, 63, 64, 65, 71, 73, 81



CAP-TOR® XD COLLATED PACKAGING

LENGTH	FINISH	DRIVE TYPE	SCREWS PER STRIP	STRIP PACK
2-3/4"	Epoxy	T-20	30	1500
2-1/2"	305 Stainless	T-20	30	1500
2-3/4"				
2-1/2"	316 Stainless	T-20	30	1500

CAP-TOR[®] xd

Metal

Composite/PVC

Deck Screw For Metal Framing



APPLICATION

Color matched screws for attaching composite/PVC decking and cladding to steel or aluminum framing.

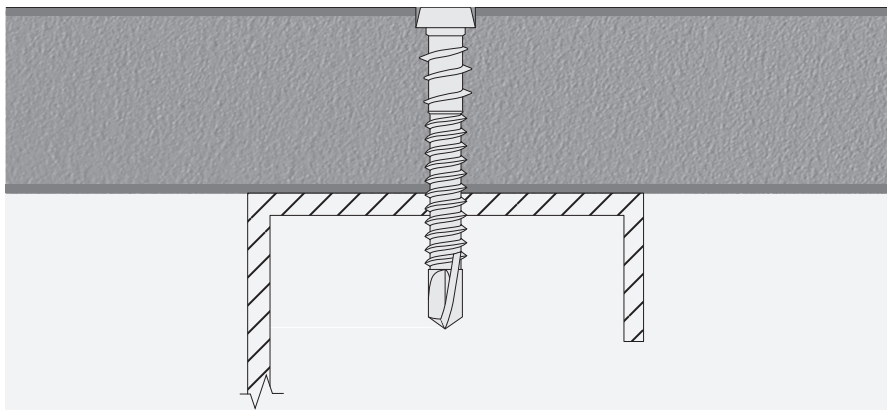
- 10 x 1-5/8": 3/4" to 1" decking material attached to 12 gauge or two 14 gauge joists doubled up.
- 12 x 2-3/8": 1" to 1-1/2" decking material attached to up to 1/4" thick joists.

FEATURES

- Epoxy coated Grade 410 stainless steel
- Sharp drill point for quick installation into metal framing
- Extra deep star drive recess to prevent cam-out
- Undercut head to cut cleanly through the hard outer layer of capstock decking
- Available in a variety of colors

INSTALLATION

- Install flush with decking surface. Do not overdrive.
- Install two screws per joist with a minimum three threads beyond metal framing.
- Predrilling is recommended when fastening within 1" from the end of a deck board. Predrill decking only, not joist.
- Recommended: For a clean and professional finish use the SMART-BIT[®] Depth Setter Tool in combination with screws.



FINISH

Epoxy coated

CORROSION

Exterior use—Approved for use in ACQ and pressure treated lumber.

For salt water or other areas where corrosion is a concern, use Marine Grade 316 Cap-Tor xd fasteners with wood sleeper system.

DRIVE SYSTEM

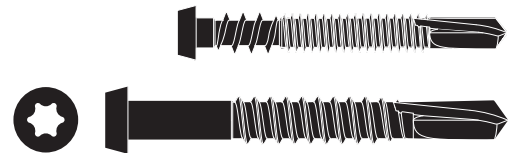
Star drive

AVAILABLE COLORS



CAP-TOR® XD METAL COLORS

LENGTH	AVAILABLE COLORS	
10 x 1-5/8"	410 Stainless	31, 34, 37, 39, 43, 53, 54, 55, 63, 64, 65, 71, 73, 81, 82, 87
12 x 2-3/8"		31, 34, 37, 39, 53, 54, 64, 65, 71, 73, 81



CAP-TOR® XD METAL PACKAGING

LENGTH	FINISH	DRIVE TYPE	COUNT PACKAGING			
			RETAIL PACK	DECK PACK	PRO PACK	BULK
1-5/8"	410 Stainless	T-20	100	350	1750	3500
2-3/8"			75	265	1750	-

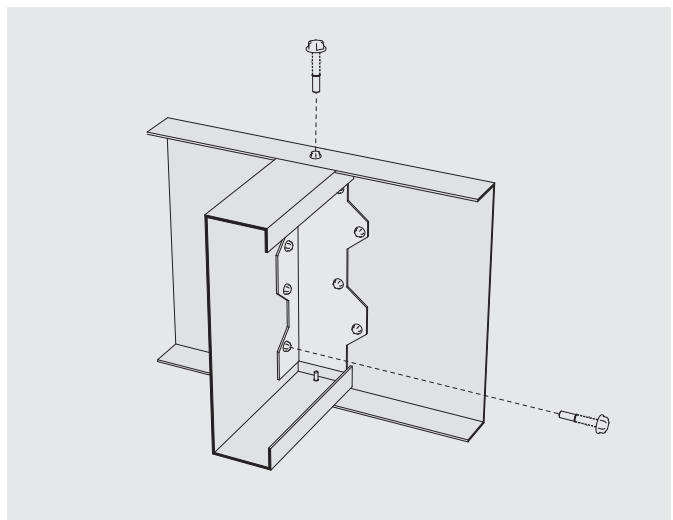
BUILDEX® TEKS SELECT™



5/16" Hex Washer Head: 10-16 x3/4"

For all steel-to-steel and bracket connections.

Teks Select™ is a trademark of ITW Buildex® and Illinois Tool Works, Inc. Teks Select™ is manufactured by ITW Buildex® and packaged and distributed by Starborn Industries.



FASCIA SYSTEM

Epoxy/Stainless

Fascia Screw



APPLICATION

Color matched fastening system for composite/PVC deck fascia and cladding. The system securely fastens fascia material while also allowing boards to expand and contract freely. Installation is a two-step process utilizing a pre-drilling tool and screws.

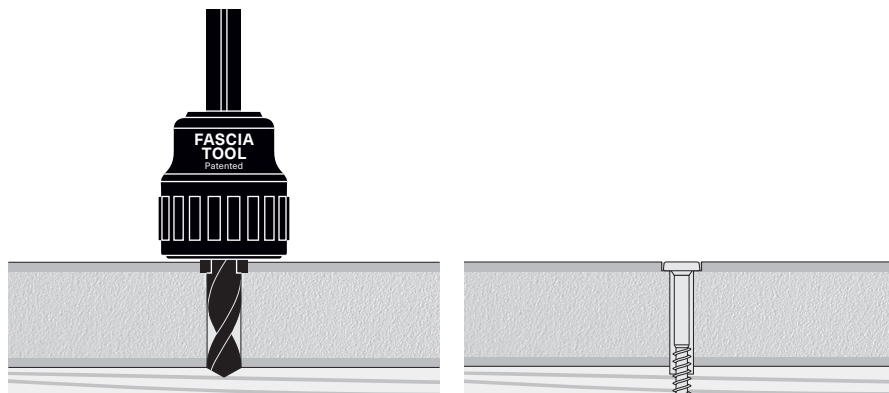
FEATURES

- Designed for use with ½" to ¾" composite fascia profiles
- Fascia Tool creates an over-sized hole so that the board can expand and contract freely and provides a pre-set countersink that matches the head diameter and depth of the Fascia Screw
- Free spinning collar on Fascia Tool prevents damage to the fascia board surface
- Type 17 auger tips for faster, easier insertion and to help prevent splitting
- Available in a variety of colors

INSTALLATION

Follow all fascia manufacturer instructions, including specifications for screw spacing, edge/ end distances, and gapping.

- Pre-drill with the Fascia Tool until the collar stops spinning.
- Drive the Fascia Screw until snug, do not overtighten. The material should hang from the screw to allow for expansion and contraction.



FINISH

Epoxy coated
Grade 305 Stainless
Marine Grade 316 Stainless

CORROSION

Exterior use—Approved for use in ACQ and pressure treated lumber.
For salt water or other areas where corrosion is a concern, use Marine Grade 316 Stainless.

DRIVE SYSTEM

Star drive

TOOL COMPATIBILITY

FASCIA Tool

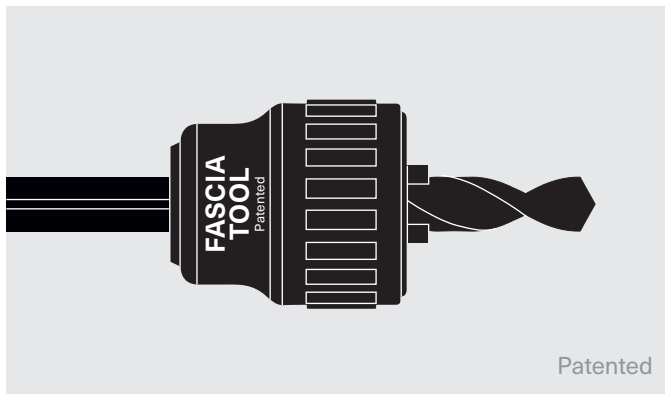
AVAILABLE COLORS



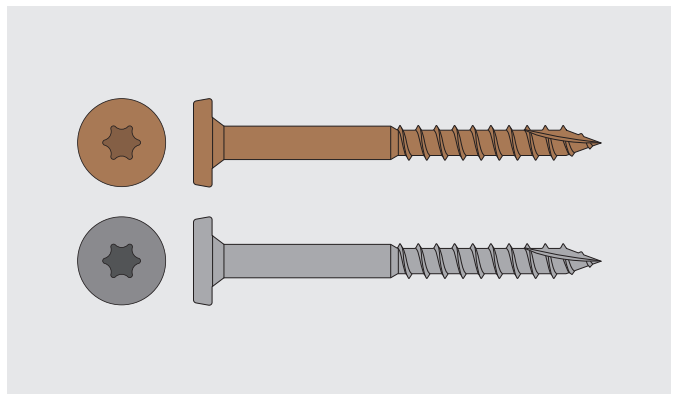
FASCIA SYSTEM COLORS

LENGTH	AVAILABLE COLORS	
10 x 1-7/8"	Epoxy	31, 34, 37, 39, 43, 53, 54, 55, 63, 64, 65, 71, 73, 81, 82, 87
9 x 1-7/8"	305 Stainless	

SYSTEM COMPONENTS (SOLD SEPARATELY)



Fascia Tool
Pre-drilling and countersinking



Fascia Screws
Color matched screws available
in Epoxy Coated or Grade 305 Stainless

FASCIA SYSTEM PACKAGING



LENGTH	FINISH	DRIVE TYPE	COUNT PACKAGING		
			RETAIL PACK	DECK PACK	BULK
1-7/8"	Epoxy	T-20	100	400	2500
	305 Stainless				

PRO PLUG[®] SYSTEM

Deck

Hidden Fastener For PVC/ Composite Decking and Cladding



Patented

APPLICATION

Hidden fastening system that provides a secure face-fastened connection with precision cut plugs made from actual decking and cladding materials. Installation is a two-step process utilizing a setting tool, screws and plugs. All components must be used together as instructed to ensure proper function.

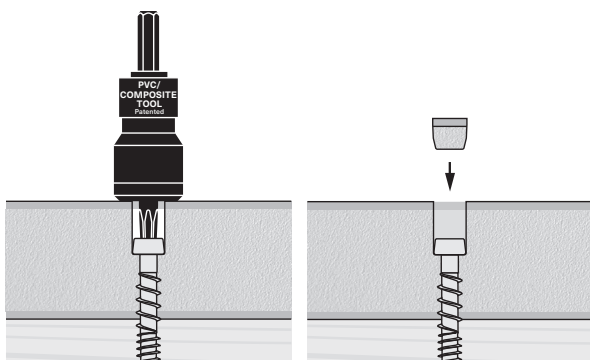
FEATURES

- Plugs are for 1" nominal (or greater) material and available in all leading deck and cladding brands
- Available in Kits (screws, plugs and tool) and Inventory Management (system components sold separately)
- Patented PVC/Composite Tool with Auto-Stop™ sets screw to the correct depth without stripping screw recess
- Free spinning stop collar on setting tool prevents damage to the board surface
- Screws feature a Type 17 auger tip for faster, easier insertion and to help prevent splitting

INSTALLATION

Follow all decking and cladding manufacturer instructions, including specifications for screw spacing, edge/end distances, and gapping. Predrilling is recommended for all composite deck boards. Predrill a 3/16" pilot hole through the decking material only; not the joist. For DuraLife® decking, use a 7/32" pilot hole.

- Fit setting tool with application specific driver bit, marked "DECK".
- Drive the screw with the PVC/Composite Tool using a standard drill on high speed.
- Do not use impact driver with setting tool.
- The setting tool's Auto-Stop™ mechanism will make a "pop" sound when the screw is set to the correct depth. (Do not hesitate or slow down while driving.)
- Insert plug into hole and tap with a smooth-faced hammer until the plug is flush with board.



FINISH

Epoxy coated
Grade 305 Stainless
Marine Grade 316 Stainless

CORROSION

Exterior use—Approved for use in ACQ and pressure treated lumber.

For salt water or other areas where corrosion is a concern, use Marine Grade 316 Stainless.

DRIVE SYSTEM

Star drive

TOOL COMPATIBILITY

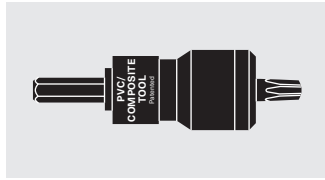
PVC/Composite Tool
PVC/Composite DECK Bits

PLUGS AVAILABLE IN THE FOLLOWING BRANDS

AMERICAN PRO	APEX®	ARMADILLO®	AZEK®	BARRETTE®
CLUBHOUSE®	DEKORATORS®	ENDECK®	ENVISION®	FIBERON®
MOISTURESHIELD®	TIMBERTECH®	TIVA®	TREX®	VEKADECK®
WOLF				

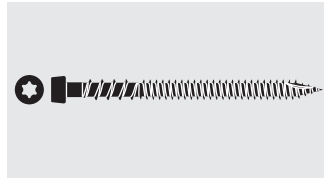
New board brands are always being added to our product offering. Please refer to our website or contact Starborn® customer service if you do not see the board brand you are looking to use on your project.

SYSTEM COMPONENTS



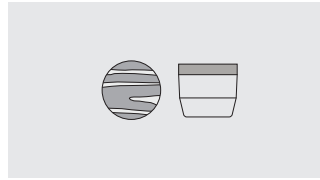
PVC/Composite Tool

For setting screws to the correct depth



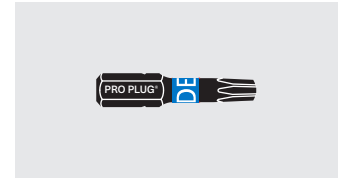
Screws

Epoxy coated, grade 305 or marine grade 316 stainless, or epoxy coated grade 410 stainless for metal framing



Plugs

Made from actual PVC/Composite decking and trim material



Deck Bits

PRO PLUG® SYSTEM DECK PACKAGING

KIT PACKAGING					
LENGTH	FINISH	COVERAGE	SCREWS	PLUGS	TOOL
2-3/4"	Epoxy	100 lf	150	165	1
		100 sq ft	350	375	1
		300 sq ft	1050	1125	1
2-1/2"	305 Stainless	100 lf	150	165	1
		100 sq ft	350	375	1
		300 sq ft	1050	1125	1

INVENTORY MANAGEMENT—PLUGS ONLY	
PLUGS	COVERAGE
100	—
375	100 sq ft
1125	300 sq ft

FOR METAL FRAMING—CAP-TOR XD METAL			
LENGTH	FINISH	SCREWS	COVERAGE
1-5/8"	Epoxy Coated 410 Stainless (Metal Framing)	375	100 sq ft

For Metal Framing

Use 1-5/8" CAP-TOR xd Metal screw and purchase plugs and PVC/Composite Tool separately.

INVENTORY MANAGEMENT—SCREWS ONLY			
LENGTH	FINISH	SCREWS	COVERAGE
2"	Epoxy	100	—
		375	100 sq ft
		1125	300 sq ft
2-3/4"		100	—
		375	100 sq ft
		1125	300 sq ft
3"		100	—
		375	100 sq ft
		1125	300 sq ft
2"	305 Stainless	100	—
		375	100 sq ft
		1125	300 sq ft
2-1/2"		100	—
		375	100 sq ft
		1125	300 sq ft
3"		100	—
		375	100 sq ft
		1125	300 sq ft
2-1/2"	316 Stainless	100	—
		375	100 sq ft
		1125	300 sq ft
3"		100	—
		375	100 sq ft
		1125	300 sq ft

PRO PLUG[®] SYSTEM

Trim

Hidden Fastener for PVC Trim Board



APPLICATION

Hidden fastening system that provides a secure face-fastened connection with precision cut plugs made from actual PVC trim boards. Installation is a two-step process utilizing a setting tool, screws and plugs. All components must be used together as instructed to ensure proper function.

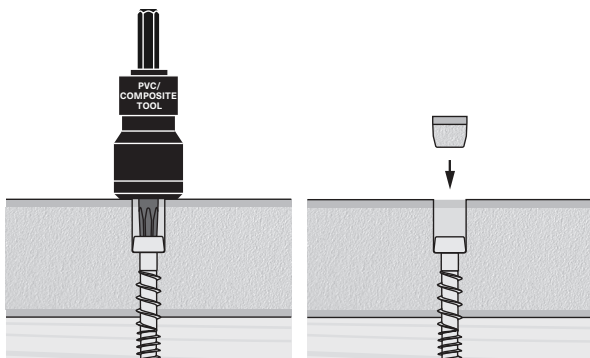
FEATURES

- Plugs are for 5/8" to 1-1/4" thick PVC trim and available in all leading brands
- Available in Kits (screws, plugs and tool) and Inventory Management (system components sold separately)
- Patented PVC/Composite Tool with Auto-Stop™ sets screw to the correct depth without stripping screw recess
- Free spinning stop collar on setting tool prevents damage to the board surface
- Screws feature a Type 17 auger tip for faster, easier insertion and to help prevent splitting

INSTALLATION

Follow all PVC trim manufacturer instructions, including specifications for screw spacing, edge/end distances, and gapping.

- Fit setting tool with application specific driver bit, marked "TRIM".
- Drive the screw with the PVC/Composite Tool using a standard drill on high speed.
- Do not use impact driver with setting tool.
- The setting tool's Auto-Stop™ mechanism will make a "pop" sound when the screw is set to the correct depth. (Do not hesitate or slow down while driving.)
- Insert plug into hole and tap with a smooth-faced hammer until the plug is flush with board.



FINISH

Epoxy coated
Grade 305 Stainless
Marine Grade 316 Stainless

CORROSION

Exterior use—Approved for use in ACQ and pressure treated lumber.

For salt water or other areas where corrosion is a concern, use Marine Grade 316 Stainless.

DRIVE SYSTEM

Star drive

TOOL COMPATIBILITY

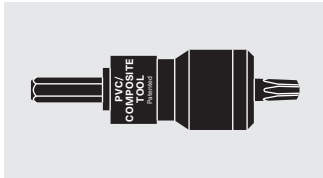
PVC/Composite Tool
PVC/Composite TRIM Bits

PLUGS AVAILABLE IN THE FOLLOWING BRANDS

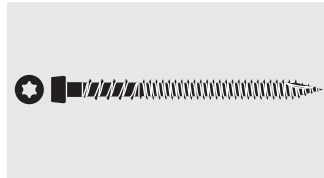
AZEK®	BETTER BRAND®	BORAL®	CERTATRIM®	INTEPLAST®
KLEER®	KOMA®	NUCEDAR®	PALIGHT®	PLY GEM®
ROYAL®	RESTORATION MILLWORK®	VERSATEX®	WOLF	XO™

New board brands are always being added to our product offering. Please refer to our website or contact Starborn® customer service if you do not see the board brand you are looking to use on your project.

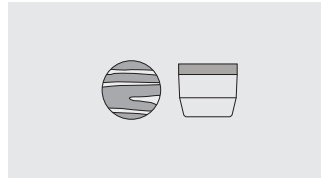
SYSTEM COMPONENTS



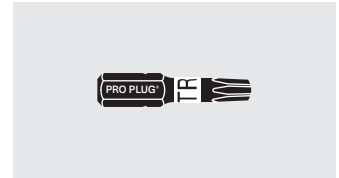
PVC/Composite Tool
For setting screws to the correct depth



Screws
Epoxy coated, grade 305 or marine grade 316 stainless, or epoxy coated grade 410 stainless for metal framing



Plugs
Made from actual PVC/Composite decking and trim material



Trim Bits

PRO PLUG® SYSTEM TRIM PACKAGING

KIT PACKAGING					
LENGTH	FINISH	COVERAGE	SCREWS	PLUGS	TOOL
2"	Epoxy	50 lf	75	85	–
		250 lf	375	400	1
		750 lf	1125	1200	1
2-3/4"		50 lf	75	85	–
		250 lf	375	400	1
		750 lf	1125	1200	1
2"	305 Stainless	50 lf	75	85	–
		250 lf	375	400	1
		750 lf	1125	1200	1
2-1/2"		50 lf	75	85	–
		250 lf	375	400	1
		750 lf	1125	1200	1

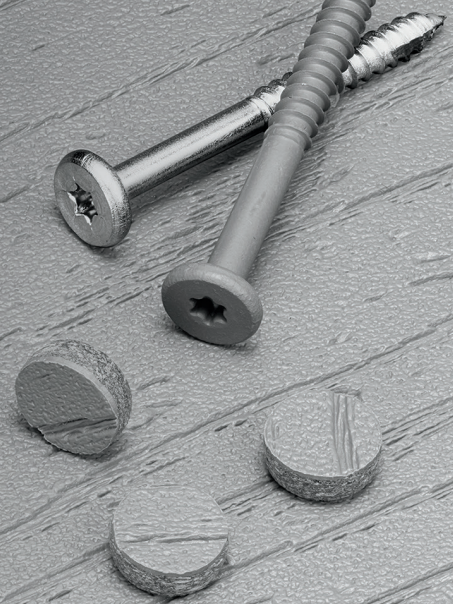
INVENTORY MANAGEMENT—SCREWS ONLY				
LENGTH	FINISH	SCREWS	COVERAGE	
2"	Epoxy	100	–	
		375	100 sq ft	
		1125	300 sq ft	
2-3/4"		100	–	
		375	100 sq ft	
		1125	300 sq ft	
3"		100	–	
		375	100 sq ft	
		1125	300 sq ft	
2"		305 Stainless	100	–
			375	100 sq ft
			1125	300 sq ft
2-1/2"	100		–	
	375		100 sq ft	
	1125		300 sq ft	
3"	100		–	
	375		100 sq ft	
	1125		300 sq ft	
2-1/2"	316 Stainless		100	–
			375	100 sq ft
			1125	300 sq ft
3"		100	–	
		375	100 sq ft	
		1125	300 sq ft	

INVENTORY MANAGEMENT—PLUGS ONLY	
PLUGS	COVERAGE
100	–
400	250 lf
1200	750 lf

PRO PLUG[®] SYSTEM

Fascia

Hidden Fastener for Composite Fascia Board and Cladding



APPLICATION

Hidden fastening system that securely fastens deck fascia and cladding while also allowing boards to expand and contract freely. Precision cut plugs are made from actual fascia material. Installation is a three-step process utilizing a predrilling tool and a setting tool (sold as a tool set) and screws and plugs. All components must be used together as instructed to ensure proper function.

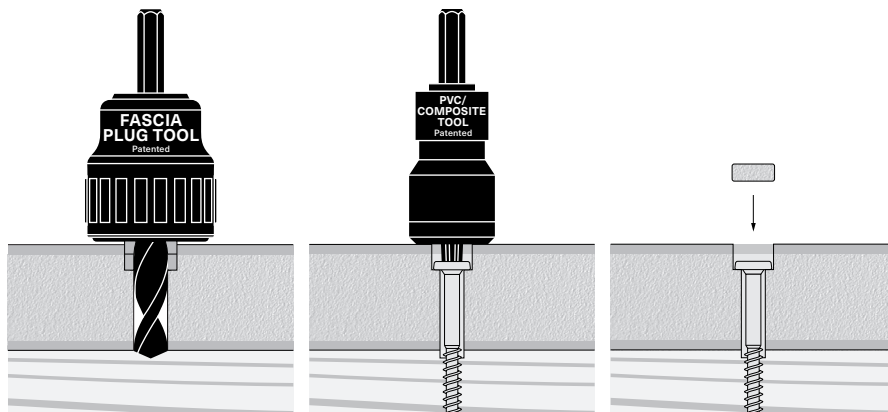
FEATURES

- Fascia Plug Tool predrills an over-sized hole so that the board can expand and contract freely and provides a pre-set countersink that matches the diameter and depth of screw and plug
- Free spinning stop collar on Fascia Plug Tool prevents damage to the board surface
- PVC/Composite Tool with Fascia Bit sets screw to proper depth and eliminates overdriving screw
- Screws feature Type 17 auger tip for faster, easier insertion and to help prevent splitting
- Kit packaging includes screws and plugs (Fascia Plug Tool Set sold separately)

INSTALLATION

Follow all fascia manufacturer instructions, including specifications for screw spacing, edge/ end distances, and gapping.

- Fit setting tool with application specific driver bit, marked "FSCA".
- Predrill with the Fascia Plug Tool until the collar stops spinning.
- Drive the screw with the PVC/Composite Tool using a standard drill on high speed.
- Do not use impact driver with setting tool.
- The setting tool's Auto-Stop™ mechanism will make a "pop" sound when the screw is set to the correct depth. (Do not hesitate or slow down while driving.)
- Insert plug into hole and tap with a smooth-faced hammer until the plug is flush with board.



FINISH

Epoxy coated
Grade 305 Stainless
Marine Grade 316 Stainless

CORROSION

Exterior use—Approved for use in ACQ and pressure treated lumber.

For salt water or other areas where corrosion is a concern, use Marine Grade 316 Stainless.

DRIVE SYSTEM

Star drive

TOOL COMPATIBILITY

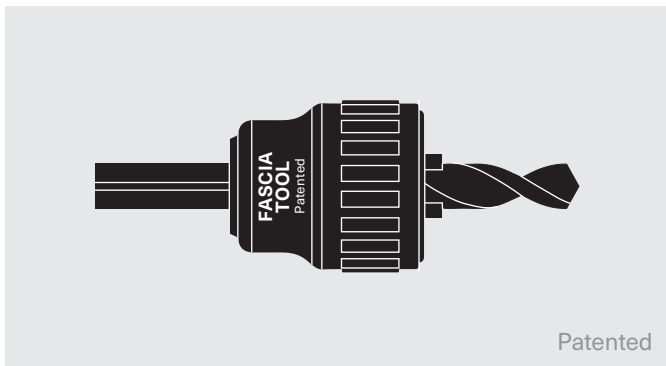
Fascia Plug Tool Set

PLUGS AVAILABLE IN THE FOLLOWING BRANDS

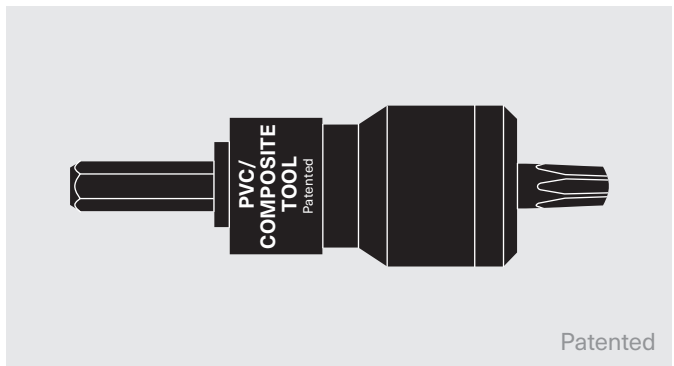


New board brands are always being added to our product offering. Please refer to our website or contact Starborn® customer service if you do not see the board brand you are looking to use on your project.

SYSTEM COMPONENTS



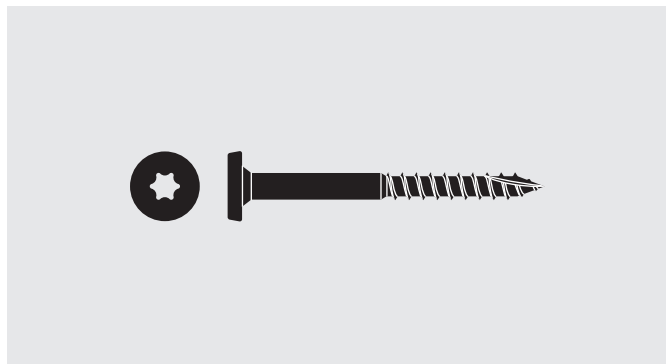
Patented



Patented

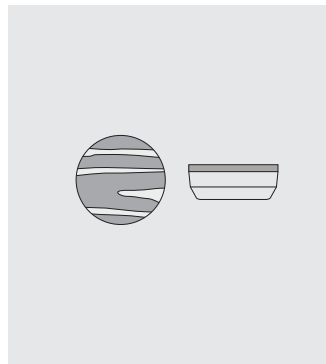
Fascia Plug Tool Set

Fascia Plug Tool for pre-drilling and PVC/Composite Tool for screw setting. (Sold Separately)



Fascia Screws

Epoxy coated, grade 305 or marine grade 316 stainless



Fascia Plugs

Made from actual fascia material to match perfectly



Fascia Bit

PRO PLUG® SYSTEM FASCIA PACKAGING

LENGTH	FINISH	DRIVE TYPE	KIT PACKAGING		
			SCREWS	PLUGS	TOOL
1-7/8"	Epoxy	T-20	100	100	-
	305 Stainless				
	316 Stainless				

PRO PLUG SYSTEM[®]

Wood

Hidden Fastener for Wood Decking and Flooring



APPLICATION

Hidden fastening system that provides a secure face-fastened connection with precision cut, face grain plugs made from a variety of hardwood decking and flooring. Installation is a four step process utilizing a predrilling tool, glue (sold separately), screw and plug.

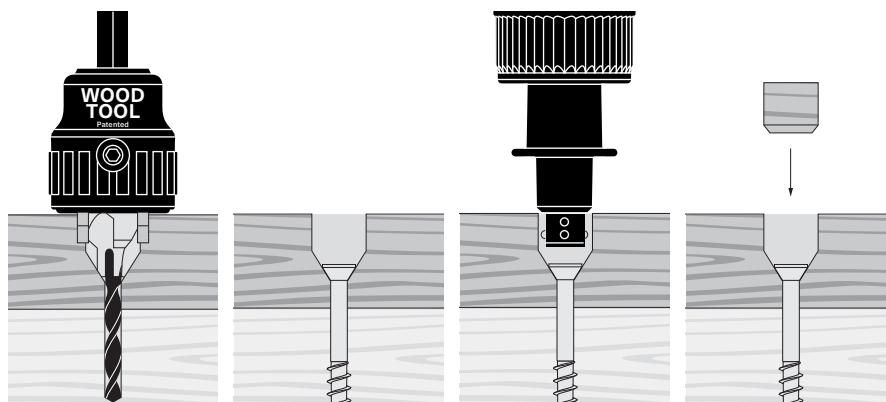
FEATURES

- Provides the strength of top-down fastening with the high end finish of face grain wood plugs
- Drill, screw, glue and plug all types of hardwoods in a fraction of the time compared to traditional plug methods
- Patented Wood Tool creates a screw hole, countersink and counterbore to match other system components
- Free spinning stop collar on Wood Tool prevents damage to the board surface
- Patented glue nozzle applies glue to the sidewall of the counterbored hole
- Kit packaging includes screws, plugs and glue nozzle (Wood Tool sold separately)

INSTALLATION

Follow all decking and flooring manufacturer instructions, including specifications for screw spacing, edge/end distances, and gapping.

- Predrill with the countersinking Wood Tool using a corded drill on high speed until the collar stops spinning. Remove debris from hole.
- Drive screw so that it is fully seated in the countersink. (Do not overtighten.)
- Fit glue nozzle on glue bottle. Apply glue to hole by pushing down and gently squeezing the bottle while rotating it one quarter turn, then remove. Glue should coat the side walls of the hole.
- Insert plug into hole, align grain of plug to match grain of board, and tap with a smooth-faced hammer until the plug is flush with board.



FINISH

DECKING KITS

Grade 305 Stainless
Marine Grade 316 Stainless

FLOORING KITS

Zinc Plated

CORROSION

DECKING KITS

Exterior use—Approved for use in ACQ and pressure treated lumber.

For salt water or other areas where corrosion is a concern, use Marine Grade 316 Stainless.

FLOORING KITS

Interior use only

DRIVE SYSTEM

Star drive

TOOL COMPATIBILITY

Wood Tool
Wood Tool Replacement Bits

PLUGS AVAILABLE IN THE FOLLOWING HARDWOOD DECKING

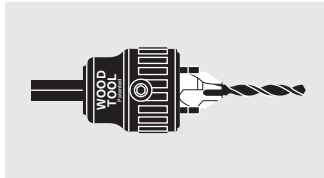
ALASKAN YELLOW CEDAR	BAMBOO	CAMBARA	CUMARU	DASSOXTR FUSED BAMBOO®
GARAPA	IPE	IRON WOODS®	JATOBA	KEBONY®
MAHOGANY	MASSARANDUBA	MERANTI	MERBAU	PEDRA
PROTEAK	RED BALAU	THERMORY®	TIGERWOOD	YELLOW BALAU

PLUGS AVAILABLE IN THE FOLLOWING HARDWOOD FLOORING

AMERICAN CHERRY	AMERICAN WALNUT	EASTERN WHITE PINE	MAHOGANY	POPLAR
RED OAK	WHITE OAK			

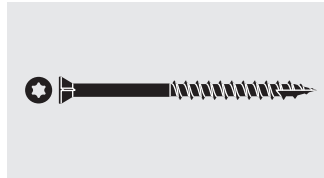
New board brands are always being added to our product offering. Please refer to our website or contact Starborn® customer service if you do not see the board brand you are looking to use on your project.

SYSTEM COMPONENTS



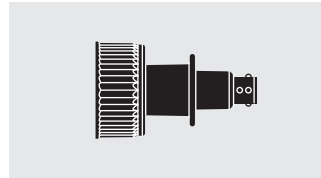
Countersinking Wood Tool

For predrilling and countersink
(Sold separately)



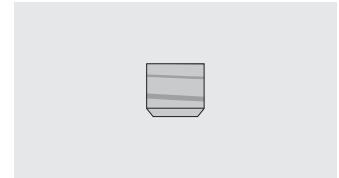
Screws

Grade 305 or marine grade
316 stainless for decking, zinc
plated for interior flooring



Glue Nozzle

Applies glue to sidewalls of
screw hole



Plugs

Made from actual hardwood
species

PRO PLUG® SYSTEM WOOD PACKAGING

DECK KIT PACKAGING					
LENGTH	FINISH	COVERAGE	SCREWS	PLUGS	TOOL
1-5/8"	305 Stainless	25 sq ft	100	100	-
		100 sq ft	350	350	-
		300 sq ft	1050	1050	-
2-1/2"		25 sq ft	100	100	-
		100 sq ft	350	350	-
		300 sq ft	1050	1050	-
1-5/8"	316 Stainless	25 sq ft	100	100	-
		100 sq ft	350	350	-
		300 sq ft	1050	1050	-
2-1/2"		25 sq ft	100	100	-
		100 sq ft	350	350	-
		300 sq ft	1050	1050	-

FLOOR KIT PACKAGING					
LENGTH	FINISH	COVERAGE	SCREWS	PLUGS	TOOL
1-5/8"	Yellow Zinc	25 sq ft	100	100	-
		100 sq ft	350	350	-
		300 sq ft	1050	1050	-

SMART-BIT®

Predrilling and Countersinking Tool

For use with HEADCOTE® and DECKFAST® Stainless Screws

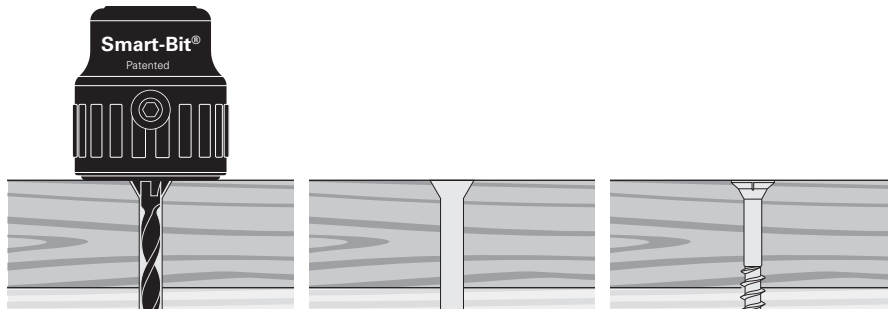
Patented

APPLICATION

Designed for decking and general woodworking when materials require predrilling. Tools are engineered to match precisely with HEADCOTE® and DECKFAST® stainless steel screws to provide a clean and professional finish.

FEATURES

- Perfect for use with hardwoods like ipe, mahogany, meranti and merbau
- Pre-set countersink matches head shape of HEADCOTE® and DECKFAST® stainless steel screws
- Free spinning stop collar protects board surface
- Durable ball bearing assembly
- Replaceable Powerbolic® fluted drill bits that cut through decking more than twice as fast as standard wood bits

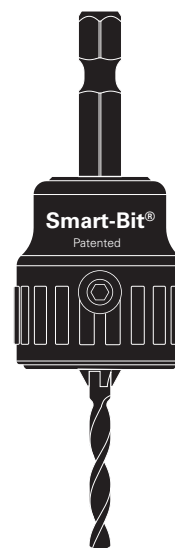


CORRECT USE

- Choose the tool size gauge that matches the diameter and head style of screw.
- (The 1-1/8" overall hole depth is sufficient for installing decking material up to 5/4 nominal (30mm thick))
- Drill in a straight and stable fashion.
- The hole is complete when the collar stops spinning.

REPLACING BITS

- Disconnect power and remove the SMART-BIT® Tool from the drill.
- Loosen the set screw with the included hex wrench.
- Remove old bit and insert a new bit fully into the countersink portion with the flat side facing the set screw.
- Tighten the set screw.
- Use only SMART-BIT® Powerbolic® replacement bits.



DIMENSIONS

TOOL SIZE GAUGE (MM)	HEAD STYLE	DRILL BIT MM (INCH)	COUNTERSINK DIA. MM (INCH)	COUNTERSINK ANGLE	HOLE DEPTH* MM (INCH)
#7 (4.2)	Trim	3.0 (7/64")	6.2 (1/4")	60°	30 (11/8")
#8 (4.5)	Trim	3.2 (1/8")	6.6 (17/64")	60°	30 (11/8")
#8 (4.5)	Flat	3.2 (1/8")	8.4 (21/64")	82°	30 (1-1/8")
#10 (5.0)	Flat	3.6 (9/64")	9.2 (23/64")	90°	30 (11/8")
#12 (5.5)	Flat	4.0 (5/32")	11 (7/16")	82°	40 (19/16")
#14 (6.2)**	Flat	5.25 (13/64")	12.9 (1/2")	82°	40&75 (19/16"&3")

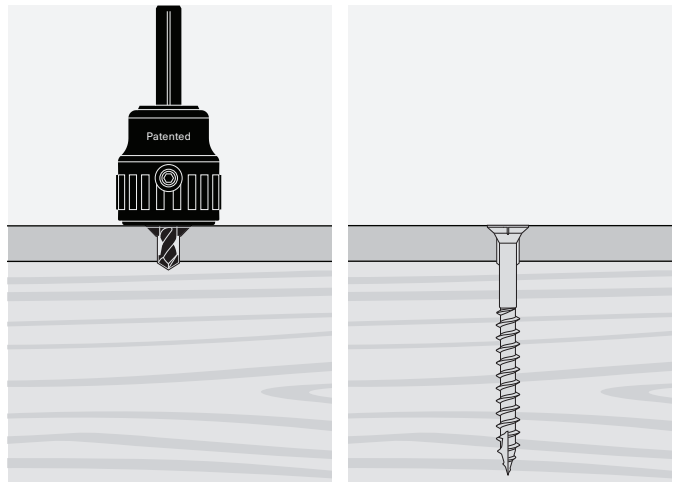
*Overall hole depth including countersink portion. When installing decking it is general practice to not pre-drill the underlying (joist) material; this is usually treated lumber and does not require pre-drilling. The 11/8" overall hole depth is sufficient for installing decking material up to 5/4 thick (nominal).

**The #14 Smart-Bit® comes with two 40mm bits and one 75mm bit. Durable ball bearing assembly

ALSO AVAILABLE FOR FIBER CEMENT

Designed specifically for use with compressed fiber cement board, but can also be used with a variety of fiber cement and masonry products.

- Tungsten carbide tip
- Durable ball bearing assembly
- Free spinning stop collar
- Use with #10 (5.0mm) flat head screws



SMART-BIT®

Depth Setter Tool

Driving Tool for Setting Screws
to the Perfect Depth

Patented

APPLICATION

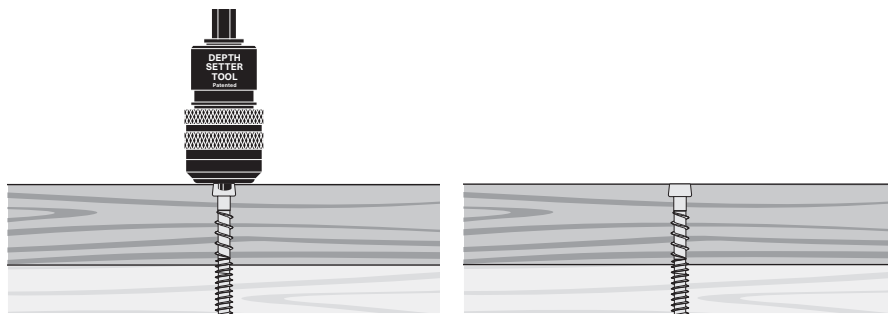
Designed to drive screws to the perfect depth—flush or below the work surface—every time. Adjustable and easy to use on decks, drywall and in general construction. The tool works with Phillips® and Torx® bits and is designed for use with Starborn® fasteners and other screw products.

FEATURES

- Perfectly set screws every time
- Locking rings allow for screw depth adjustment and secures desired setting for consistent screw installation
- Auto-Stop™ mechanism sets screw to the correct depth without stripping screw recess
- Free spinning stop collar prevents damage to the board surface

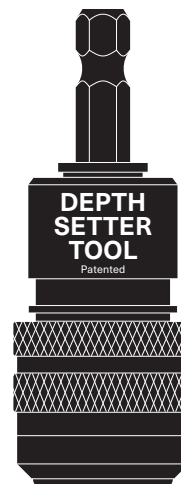
CORRECT USE

- Use a standard drill. Do not use an impact driver.
- Drill in a straight and stable fashion.
- The screw is set when the Auto-Stop™ mechanism engages fully (making a “pop” sound in most materials).



REPLACING BITS

- Disconnect power and remove the SMART-BIT® Tool from the drill.
- Loosen the set screw with the included hex wrench.
- Remove old bit and insert a new bit fully into the countersink portion with the flat side facing the set screw.
- Tighten the set screw.
- Use only SMART-BIT® Powerbolic® replacement bits.



COMPATIBLE STARBORN® SCREWS

CAP-TOR® xd Stainless

Color Matched Screws for PVC and Composite Decking



DECKFAST® Epoxy

Lumber and PVC Trim



CAP-TOR® Metal

Color Matched Screws for Fastening PVC, Composite and Hardwood Decking to Trex Elevations and other Metal Framing Systems



STARBORN DECKMATCHER TABLE

STARBORN COLOR	ARMADILLO*	AZTEC	BARRETTE*	CLUBHOUSE	DECORATORS*	ENDECK*	ENVISION*	FIBERON*	FORTRESS*
TAN GRAY—#31	FOOTHILLS	AUTUMN CHESTNUT • WEATHERED TEAK	MAHOAGANY • TROPICAL WALNUT	COBBLESTONE	COSTA • HICKORY	CEGAR • SABLE	WEATHERED WOOD	CABIN • IPE • JATOPA • MORINGA • MUECA • NATURAL REE • RUSSET DUNE • SUMAC • TUDOR BROWN	
BROWN—#34	CAMPFIRE • PAINTED DESERT	ENGLISH WALNUT • HICKORY • MORADO	MAHOAGANY • TROPICAL WALNUT	HICKORY	MESA • PRAIRIE • REWOOD	SPICED TEAK • TANGLED TWINE • VINTAGE OAK	GREY WOOD • HARBOR GREY	CASTLE GRAY • COTTAGE • MINERAL • MORA • NANTUCKET GRAY • SEASIDE GRAY	CARRIBEAN CORRAL • SAPPHIRE SILVER
GRAY—#37	COYOTE	CASTLE GATE • COASTLINE			ASHWOOD • COMPASS GRAY • FIELDSTONE • GRAY • KETTLE • SILVERWOOD • SUMMIT	SLATE	CAPE COD GREY		
WHITE—#39	WHITE SAND					ASHWOOD			
ASHWOOD—#43		HAZELWOOD		SANDSTONE	MACADAMIA	BEECHWOOD		BEACH HOUSE • FLAGSTONE • GRAPHITE • MODONILT COVE • PALO	ALASKAN DRIFTWOOD • CAPE TOWN GREY
IVORY—#45					DUSK • LAKEVIEW • RIDGELINE • RIDGEWAY • SIERRA • SMOKEHOUSE	DAWN	BARNWOOD PLANK • GUNSTOCK	CABANA • CHAI • SANDSTONE • SHADED CAY	ARTIC BIRCH
KHAKI—#48					TUNDRA			EARL GREY • GRAY BIRCH • WEATHERED CLIFF • WENGE	
DARK GRAY—#53	CANYON GRAY • SMOKE	ISLAND OAK	GARAPA GREY • SLATE	DRIFTWOOD	SIERRA • SMOKEHOUSE	DAWN	BARNWOOD PLANK • GUNSTOCK	CLAY • TUSCAN VILLA • WAHMI SIENNA	HIMALAYAN CEDAR
WARM GRAY—#54		SLATE GRAY	COASTAL GREY	BROOKSTONE	TUNDRA	DAWN			
DARK SLATE—#55	CHARCOAL			IRONWOOD	DRIFTWOOD • SLATE				
BUCKSKIN—#63				PE	GEDAR • DUNEWOOD • SANDALWOOD • TIMBERLINE	OLIVEWOOD			SAHARA SAND
SAND—#64				CLAY	MILLED MAPLE	OLIVEWOOD			
ROSY BROWN—#65		BROWNSTONE • FRENCH WHITE OAK	PEBBLE	CLAY	CIDERHOUSE • MESQUITE			BROWNSTONE	OASIS PALM
CHOCOLATE—#71	WALNUT	ACACIA • AMERICAN WALNUT • BRAZILIAN WALNUT • DARK HICKORY • KONA	MOCHA	WALNUT	BARREL AGED OAK • KHAY • IRONWOOD • PATHWAY • RIVERHOUSE • SHIPYARD BROWN	CHESTNUT	BLACK WALNUT • RUSTIC WALNUT • WEATHERED WICKER • WOODLAND BARK	BURNT UMBER • ESPRESSO • KOA • LATTE	BRAZILIAN TEAK • ESPRESSO ROAST
JAVA—#73	BRONCO • TORTOISE • TUMBLEWEED • VINTAGE SLATE	MOUNTAIN REDWOOD	MAHOAGANY	MAHOAGANY	CANYON • CHICOORY • KINGWOOD • RIVERSIDE • ROSEWOOD • WALNUT • WOODLAND	SEQUOIA	CANYON RIDGE • CARIBOU BROWN • SHADED AUBURN	BUNGALOW • CHESTNUT • ROSEWOOD • SANDY PIER	SPANISH SAFFRON • TIGER COVE
CEDAR—#81			BRAZILIAN CHERRY • GOLDEN TEAK		SEDONA		CEDAR	TUPELO	
MAHOAGANY—#82							REDWOOD		KONA SUNSET
BURGUNDY—#87	RUSTIC RED • SUNSET							CINNABAR • MERANTI	
STARBORN COLOR	MOISTURE SHIELD*	TIMBERTECH*	TIVA*	TEX*	TRU NORTH	VEKA DECK	WOLF		
TAN GRAY—#31	EARTH TONE								
BROWN—#34	BRIDE • CANOE • TIGERWOOD • WALNUT	ANTIGUA GOLD • BROWN OAK • DARK ROAST • DARK TEAK	CHESTNUT	TOASTED SAND					WEATHERED IPE
GRAY—#37	ALPINE GRAY • AURORA MIST • CAPE COD GRAY • CATHEDRAL STONE • CITADEL • LAKE HOG	ASHWOOD • DRIFTWOOD • MARITIME GRAY • SEA SALT GRAY • SILVER MAPLE • STONEASH • STORM GRAY	ASHWOOD • ELMWOOD • WOODSTOCK • BIRCHWOOD	SADDLE • TREE HOUSE	HAZELWOOD • STONE GREY				AMBERWOOD • CEDAR RIDGE • ROSEWOOD
WHITE—#39				WOOD GRAN WHITE					DRIFTWOOD GREY • POTOMAC GREY
ASHWOOD—#43			BEACHWOOD GRAY • WHITEWASH CEDAR	FOGGY WHARF					WHITE
IVORY—#45									GRAY
KHAKI—#48									ALMOND
OLIVE GRAY—#51									
DARK GRAY—#53	GRAYSTONE • HARBOR GRAY • SMOKEY GRAY • SOUTHERN BARNWOOD	SANDSTORM GRAY	EBONY	CLAM SHELL • ISLAND MIST	AMAZON GREY • ASH GREY				PUMICE
WARM GRAY—#54									HARBOR GREY
DARK SLATE—#55									ONYX
BUCKSKIN—#63	SHORESIDE	AMAZON MIST	CHARWOOD	GRAVEL PATH • ROCKY HARBOR					GOLDEN CYPRESS
SAND—#64	DESERT SAND • MOCHACCINO	ANTIQUE LEATHER • COCONUT HUSK • TIGERWOOD	BEACHWOOD • RIVERWOOD	WINCHESTER GREY					SAND CASTLE • SILVER TEAK • WILLOW
ROSY BROWN—#65		SANDY BIRCH • TIDAL SAND	IRONWOOD • TIGERWOOD	ROPE SWING					SAND CASTLE • SILVER TEAK • WILLOW
CHOCOLATE—#71	RIVERBANK • SPANISH LEATHER	CEGAR • PECAN	BLACKWOOD • WALNUT	BEACH DUINE • HAVANA GOLD					CASHMERE
JAVA—#73	BRAZILIAN CHESTNUT • COL DBREW • GOLDEN TEAK • IPE • MARINER • NORTHERN HICKORY • ROSEWOOD • RUSTIC TIMBER	ANTIQUE PALM • CARIBBEAN REDWOOD • MOCHA • RUSTIC ELM • SABLE	KINGWOOD	COASTAL BLUFF • VINTAGE LANTERN					BLACK WALNUT • MOCHA
CEDAR—#81	RUSTIC CEDAR			FIRE PIT • LAVA ROCK • SPICED RUM • WOODLAND BROWN	BRAZILIAN CHERRY • MOCHA • TROPICAL WALNUT				ESPRESSO
MAHOAGANY—#82				TIKI TORCH	CARAMEL				TEAKWOOD
BURGUNDY—#87	SEASONED MAHOAGANY			MADERA • SUNSET COVE	RED BORDEAUX				REDWOOD