



Installation Instructions for Fortress Pure View Glass Balusters with Pure View Nylon Mounting Shoes and Wood Rails

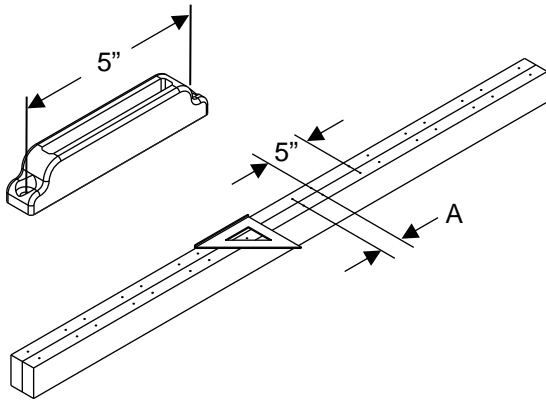
It is the responsibility of the installer to meet all code and safety requirements, and to obtain all required building permits. The deck and railing installer should determine and implement appropriate installation techniques for each installation situation. The Fortress Company nor its distributors shall not be held liable for improper or unsafe installations.

Read Instructions Completely Before Starting Installation

Required Materials

Saw, Drill, 1/16" Drill Bit, Phillips Driver Bit, Tape Measure, Pencil, Speed Square, Safety Glasses

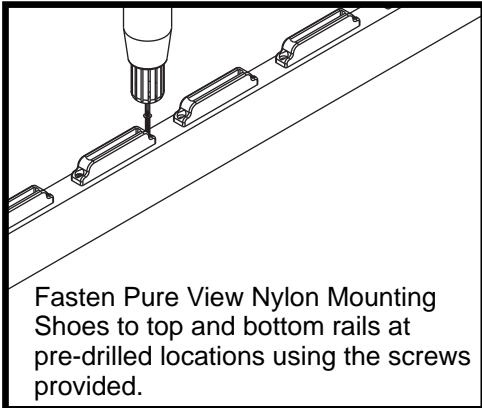
Pure View Shoe Hole Layout



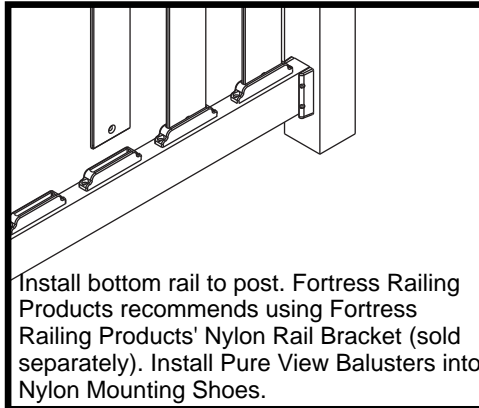
Cut Rails to required length. Place top and bottom 2x4 rails side by side for accurate placement of Fortress Pure View Nylon Mounting Shoes. **Fortress Pure View Glass Balusters CANNOT EXCEED 4" SPACING between balusters.** Mark layout on rails so that there is an equal distance between the first Pure View Baluster and the end of rail at each end. Using a square mark the location of each Pure View Nylon Mounting Shoe and pre-drill with a 1/16" drill bit.

Pure View Baluster Spacing

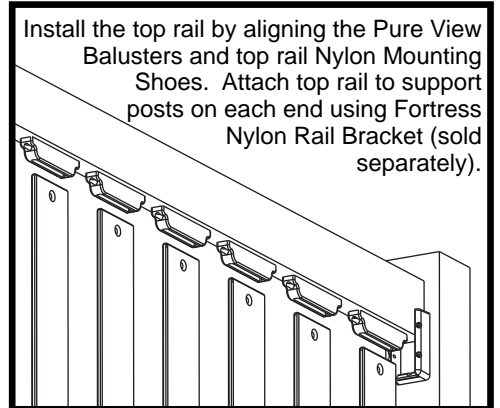
Dimension "A"	Space Between Balusters
2-1/2"	3-3/4"
2-5/8"	3-7/8"
2-3/4"	4"



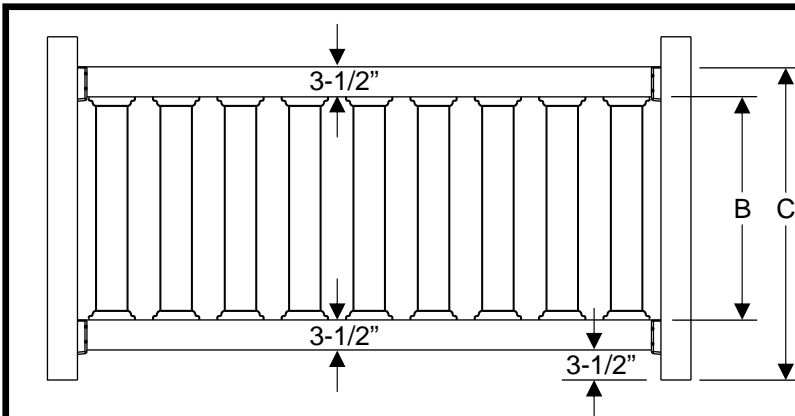
Fasten Pure View Nylon Mounting Shoes to top and bottom rails at pre-drilled locations using the screws provided.



Install bottom rail to post. Fortress Railing Products recommends using Fortress Railing Products' Nylon Rail Bracket (sold separately). Install Pure View Balusters into Nylon Mounting Shoes.



Install the top rail by aligning the Pure View Balusters and top rail Nylon Mounting Shoes. Attach top rail to support posts on each end using Fortress Nylon Rail Bracket (sold separately).



Pure View Installed Rail Heights

Dimension "B"	Dimension "C" Top Rail Height with 3-1/2" Rails
26"	36-1/2"
34"	44-1/2"
40"	50-1/2"

Pure View Mounting Clip Installation Instructions

Instructions d'installation / Instrucciones de instalación

1. Choose appropriate glass baluster for straight or stair application.
2. Measure the opening from post to post to determine length of baluster rail section. Cut top and bottom 2x4 rails to appropriate length.
3. Place top and bottom 2x4 rails side by side for accurate placement of Fortress Glass Balusters. Cut a 4" block of 2x4 to use in measuring and creating the necessary 4" on-center gap. Mark a point at the center of top and bottom 2x4 rails. Place one end of the 4" block on the center point and mark your fastener point on other end of 4" block. Continue this through both ends of top and bottom rails.
4. Fasten Mounting Clip to top and bottom rails at marked points using the screws provided and a cordless drill.
5. Attach top rail to support posts on each end using Fortress Nylon Rail Bracket (sold separately).
6. Set each glass baluster into top rail Mounting Clips by placing provided bolt through holes on each side of Mounting Clip and hole in the glass baluster.
7. Once all glass balusters are set in top rail Mounting Clips, set the bottom rail by aligning and attaching the glass balusters and bottom rail Mounting Clips. Attach glass balusters into bottom rail Mounting Clips with the same process as used for the top rail.
8. Attach bottom rail to support posts on each end using Fortress Rail Bracket (sold separately).
9. Attach cap rail as desired for finished appearance.
10. Repeat process for each railing section.

