



# INSTALLATION GUIDE: RailFX Railing Systems



**DRAWING  
ENCLOSED**



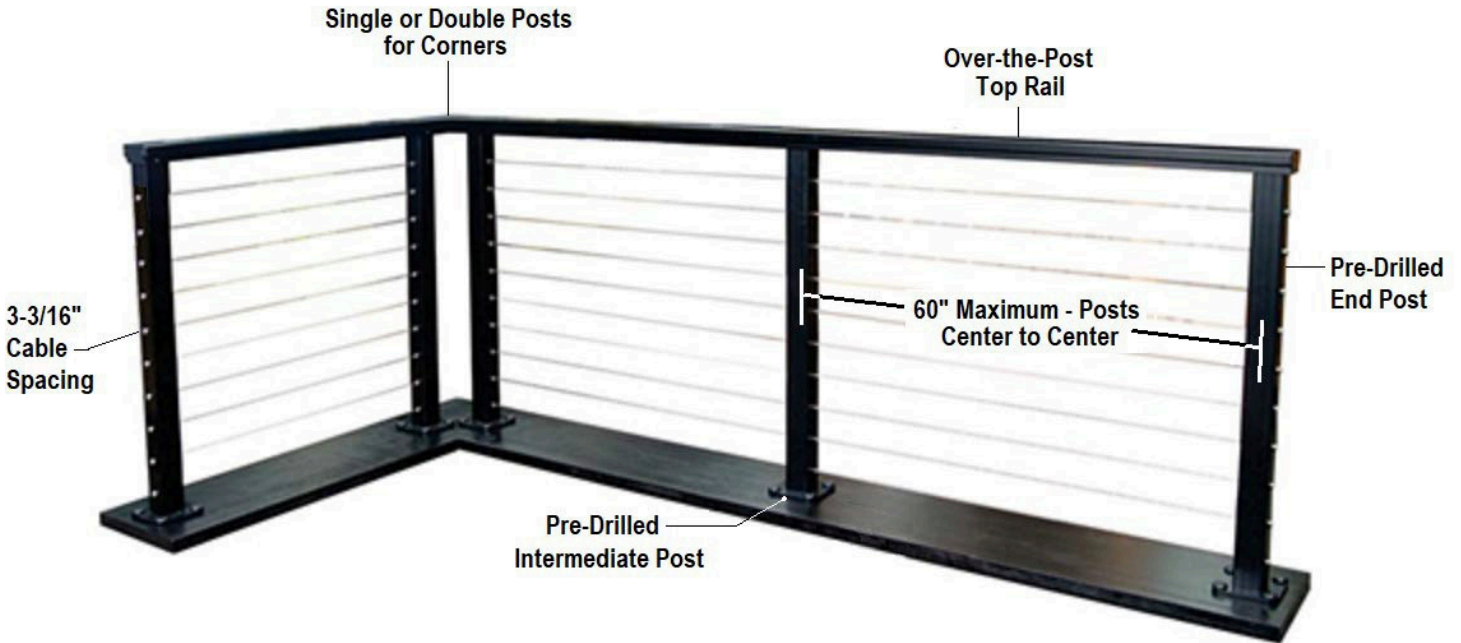
THIS PACKET **MUST** ACCOMPANY MATERIALS TO JOB SITE

Call (206) 453-1123 or email [support@railfx.net](mailto:support@railfx.net) for INSTALLATION SUPPORT

## **TABLE OF CONTENTS**

RailFX Railing Overview .....	4-5
Railing Component Guide .....	7-12
RFX100/250 Top Rail.....	13-14
RFX200/300 Top Rail.....	15-18
RFX400 Top Rail .....	19-21
Surface Mount Post.....	22-24
Single Corner Post .....	25
Fascia Post with Bracket.....	26-29
Fascia Post without Bracket .....	30-32
Surface Mount Stair... ..	33-37
Cable Railing Install.....	38-39

## RAILFX RAILING OVERVIEW



RailFX Aluminum Rail and Cable System has been designed, engineered, and tested specifically for a cable application rail system. The aluminum framework and stainless-steel cable allows for railings to be lightweight, while still retaining exceptional durability.

### Rail Guidelines

To comply with engineering and testing, **posts must be spaced no more than 60" on center**. Cables are spaced 3-3/16" on center to keep cable from deflecting beyond 4" to meet code. Cable can either terminate at the corner or run continuously through corners. Single corner posts can be used with cable running through the corner. Top rail is required for all railing installations.

### Posts

RailFX posts for level and stair railings are pre-drilled and ready for cable installation. Posts for stairs come with a base plate unattached to maximize installation flexibility, which allows the post to accommodate most stair applications. All posts are available for surface mount or fascia mount and available for 36" and/or 42" rail heights. Custom lengths are also available.

## RAIL GUIDELINES

To comply with engineering and testing, **posts must be spaced no more than 60" on center**. Cables are spaced 3-3/16" on center to keep cable from deflecting beyond 4" to meet code. Cable can either terminate at the corner or run continuously through corners. Single corner posts can be used with cable running through the corner. Top rail is required for all railing installations.

### Posts

RailFX posts for level and stair railings are pre-drilled and ready for cable installation. Posts for stairs come with a base plate unattached to maximize installation flexibility, which allows the post to accommodate most stair applications. All posts are available for surface mount or fascia mount and available for 36" and/or 42" rail heights. Custom lengths are also available.

### Top Rails

There are 5 styles of top rail RailFX railing offers: (Note: ADA rail does not qualify as a top rail)

**RFXRFX100** has a rounded profile that qualifies as a graspable rail and is most often used for stairs.

**RFXRFX 200** is a contemporary flat top rail most often used for level applications. It can be used for stairs with the addition of a secondary handrail system.

**RFXRFX 250** is a square top that qualifies as a graspable rail and is commonly paired with RFXRFX200.

**RFXRFX 300** is a contemporary rounded top rail most often used for level applications. It can be used for stairs with the addition of a secondary handrail system.

**RFXRFX 400** is a flat top rail that is designed to accept a wood or composite cap rail.

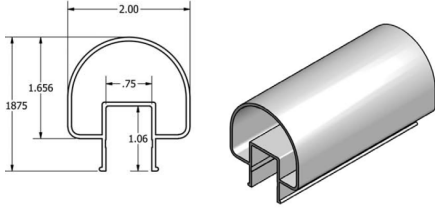
### Available Colors:



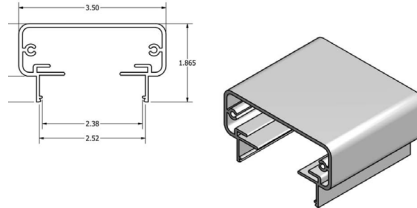
\*Colors shown are approximate representation\*

\*Custom colors are available upon request\*

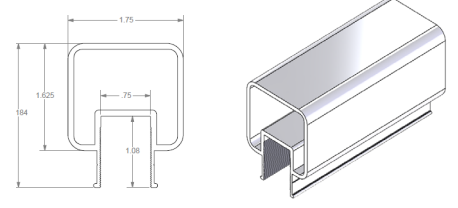
## RAIL PROFILES



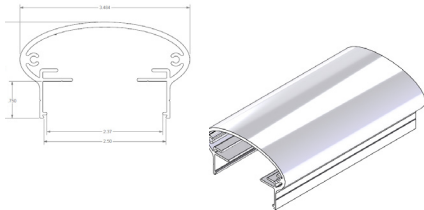
**RFX100**



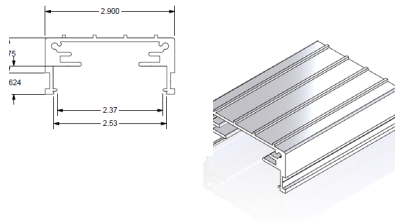
**RFX200**



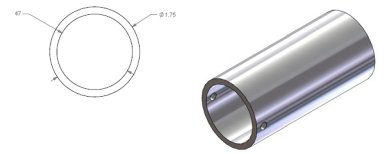
**RFX250**



**RFX300**

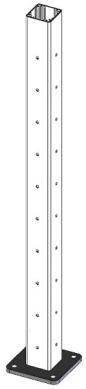


**RFX400**

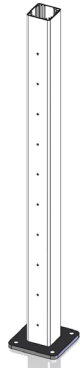


**RFXADA**

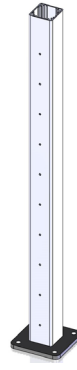
## COMPONENT GUIDE



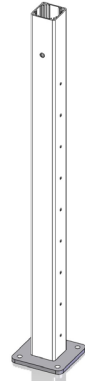
**Corner Post**



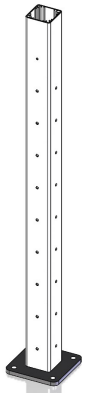
**End Post**



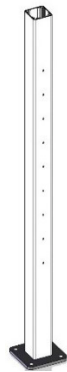
**Intermediate Post**



**Stair Corner Post  
Left Hand**



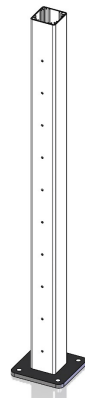
**Stair Corner Post  
Righty Hand**



**Stair End Post**

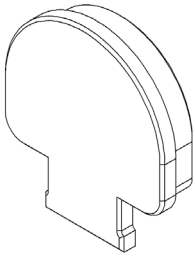


**Stair Intermediate  
Post Slot**

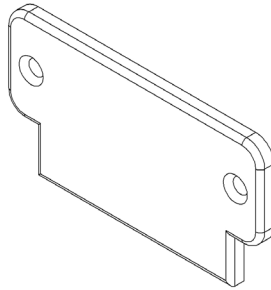


**Stair Top Terminating  
Intermediate Post**

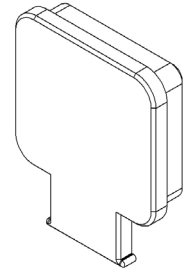
## END CAPS



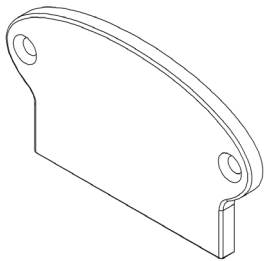
**RFX 100 End Cap**



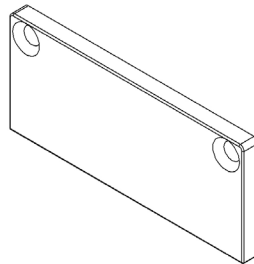
**RFX 200 End Cap**



**RFX 250 End Cap**



**RFX 300 End Cap**



**RFX 400 End Cap**

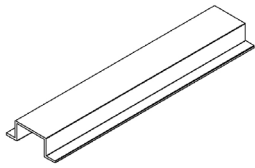


**RFX ADA End Cap**

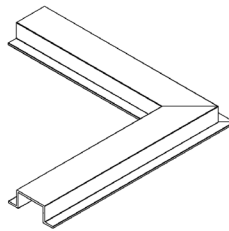


## SPLICES / CONNECTORS

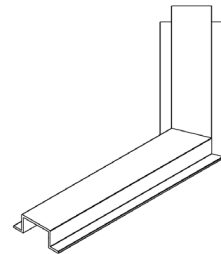
\*Custom angle splices are available upon request\*



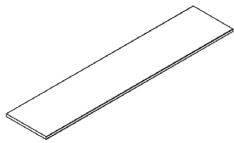
**RFX 200 / 300 Top Rail  
Splice**



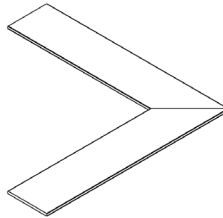
**RFX 200 / 300 Top Rail  
90 Degree Splice**



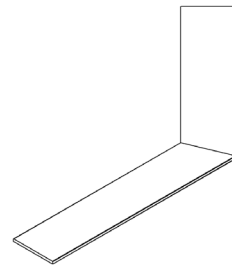
**RFX 200 / 300 Top Rail  
45 Degree Splice**



**RFX 400 Top Rail Splice**

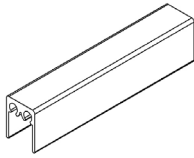


**RFX 400 Top Rail  
90 Degree Splice**



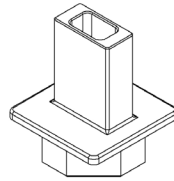
**RFX 400 Top Rail  
45 Degree Splice**

## SPLICES / CONNECTORS

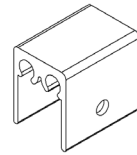


**RFX 100 / 250 Top Rail Splice**

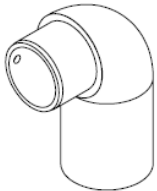
RCB12- used for stair rail  
exceeding 20'



**RFX 100 / 250 Top Rail  
Over The Post Fitting**

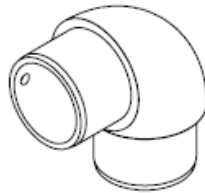


**RFX 100 / 250 Top Rail  
Connecting Block**



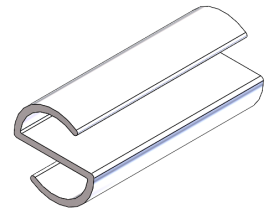
**RFX ADA Female to  
Male Corner**

\*Available in 33, 36 and 90  
degrees\*



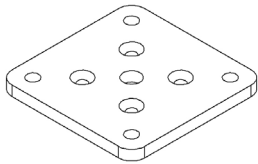
**RFX ADA Male to Male  
Corner**

\*Available in 33, 36 and  
90 degrees\*

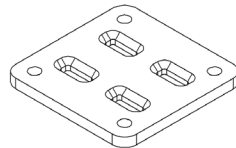


**RFX ADA Rail Splice**

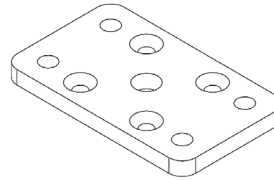
## HARDWARE / ACCESSORIES



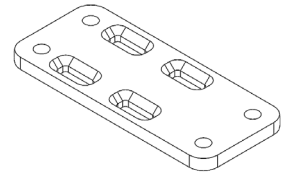
**5x5 RFX  
Base Plate**



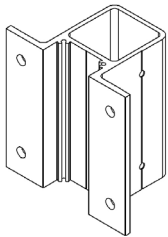
**5x5 RFX Slotted  
Base Plate**



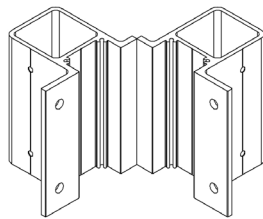
**3x5 RFX  
Base Plate**



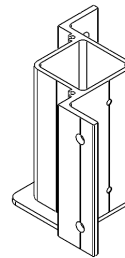
**3x7 RFX Slotted  
Base Plate**



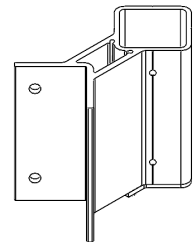
**RFX Straight  
Fascia Bracket**



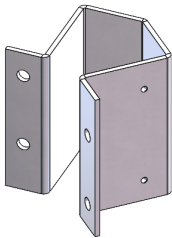
**RFX Double Outside  
Corner Fascia Bracket**



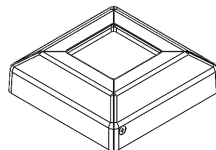
**RFX Single Inside  
Corner Fascia Bracket**



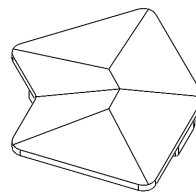
**RFX Single Outside  
Corner Fascia Bracket**



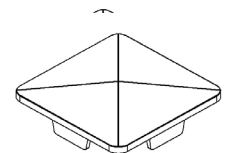
**RFX 135 Degree  
Fascia Bracket**



**RFX Post Skirt  
(Optional)**

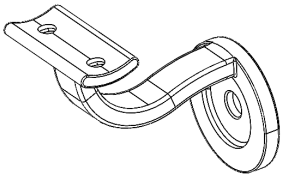


**RFX 135  
Post Cap**

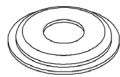


**RFX Post Cap**

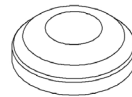
## HARDWARE / ACCESSORIES



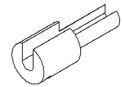
**RFX ADA  
Mount**



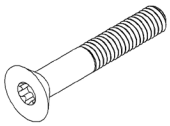
**3/8" Stainless  
Steel Cup Washer**



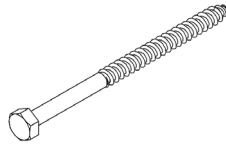
**Vinyl Bolt  
Cap**



**Push Lock  
Release Key**



**T-40 Self Tapping  
Stainless Steel Screws**



**5.5" x 3/8" Stainless  
Steel Lag Bolt**



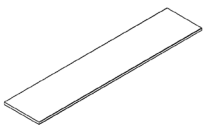
**7.5" x 3/8" Stainless  
Steel Lag Bolt**



**#10 – 3/4"  
Screw**



**#14 – 1"  
Fascia Bracket  
Screw**



**Internal Post  
Stiffener**



**RFX System  
Install Kit**

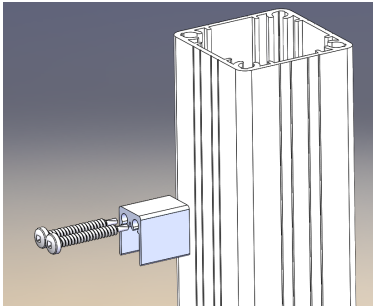


**1/8" Cable Cutter  
(Optional)**



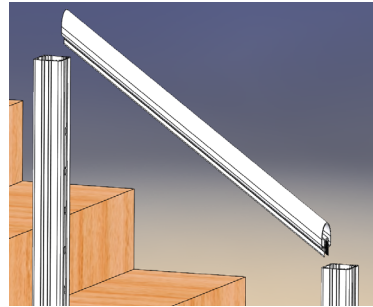
**Cable Gripping Pliers  
(Optional)**

## RFX100/250 TOP RAIL INSTALLATION



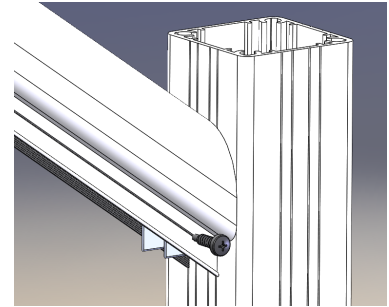
### Rail Connecting Block

Measure 3-1/2" from middle of top hole to determine install location of RCB. Secure fitting in place with 2 each screws. Cut top of post to desired height.



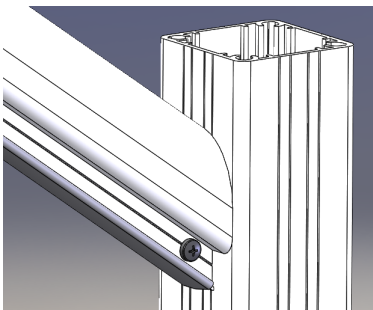
### Cutting Top Rail

Measure the distance and angle needed for top rail to fit between posts. Cut top rail using a saw.



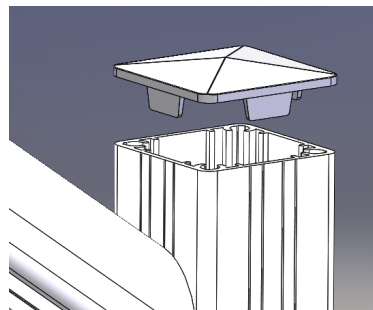
### Attaching Top Rail

Slide top rail over top of RCB and secure with 2 each screws one on each side.



### RFX100/250 Infill

Snip RCB to allow Infill to be snapped on for a finished look. *Install prior to tensioning the cables.*



### Install Post Cap

Install post cap. Use adhesive to secure cap to post.

## RFX100/250 TOP RAIL INSTALLATION

RFX 100 Top Rail over the post using  
RFX OPF Fitting



RFX 200 Top Rail – Level  
RFX 100 Rail - Stair



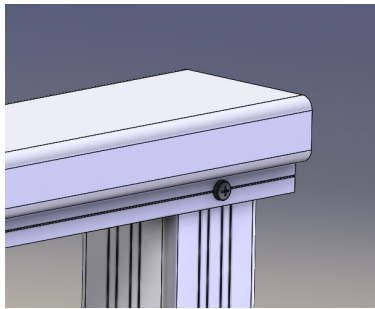
RFX 100 Top Rail over the post using  
RFX OPF Fitting



RFX 100 Top Rail over the post using  
RFX OPF Fitting

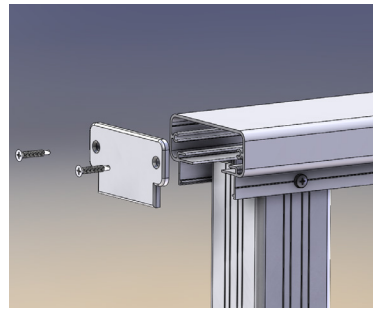


## RFX200/300 TOP RAIL FOR LEVEL APPLICATIONS



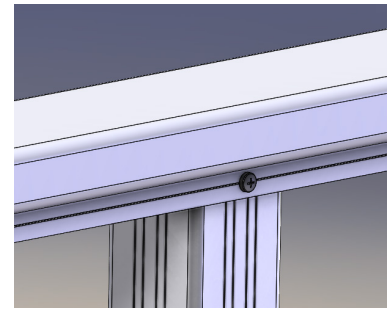
### Attaching to End Post

Rail slides over top of post and attaches with 2 each screws.



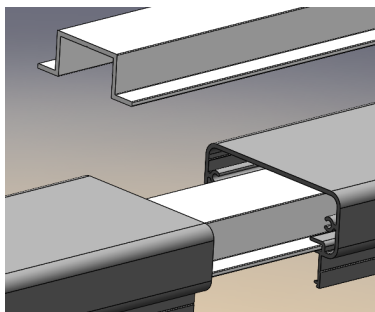
### Attaching End Cap

End cap goes on open end of top rail. Use 2 each included self-tapping screws to attach to top rail. End cap must be installed first if ending against a wall.



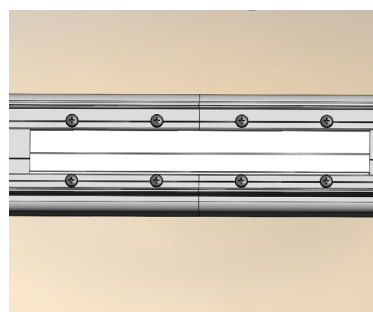
### Attaching to Intermediate Post

Rail slides over top of post and attaches with 2 each screws. 1 screw on each side.



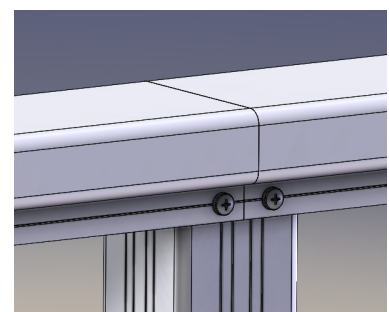
### RFX200/300 Level Splice - 1

Level splice slides into each end of the rail.  
Splice is acceptable between posts or over posts.



### RFX200/300 Level Splice - 2

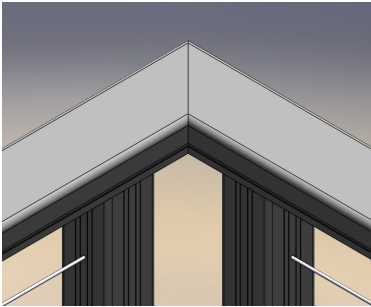
Use 8 each self-tapping screws to secure splice into rail from the underside.



### Option to Splice Over a Post

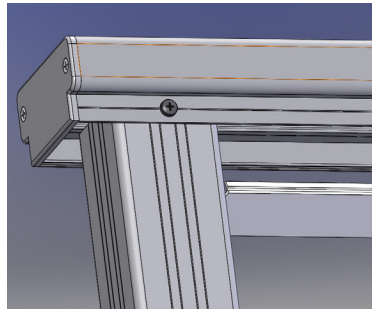
Splice must be installed into rail and then rail mounts to post. Secure rail with 4 each screws.

## RFX200/300 TOP RAIL FOR LEVEL APPLICATIONS



### Angled Splice

Splices are also used to attach corner rails. Angles include 45, 90 and custom degrees.

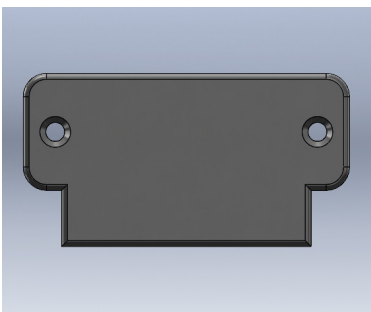


### RFX200/300 – Flat In

Cut flat infill to length and snap into bottom side of rail. *Install prior to tensioning the cables.*

## RFX200/300 TOP RAIL FOR LEVEL APPLICATIONS

*\*Please Note\** Standard end cap can also be used if desired.



### RFX200/300 Terminating into Post - 1

Drill 2 holes through the end cap for screws.

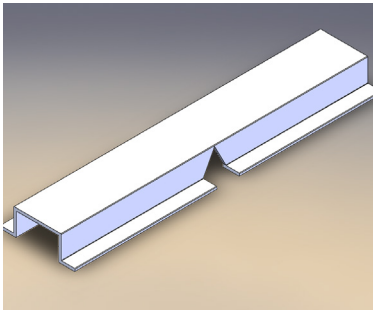


### RFX200/300 Terminating into Post - 2

Use 2 each wood screws to attach end cap to top rail then attach rail to column using two each screws.

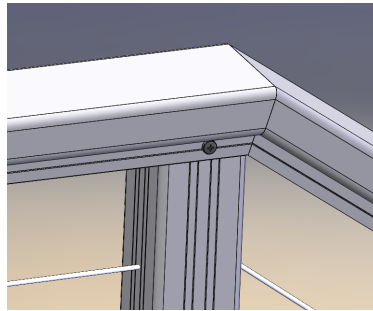


## RFX200/300 TOP RAIL FOR STAIR APPLICATIONS



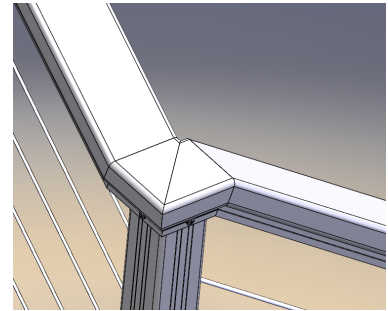
### RFX200/300 – Stair Splice

Bend splice to the correct angle of the stairs and secure splice into place with 8 each screws.



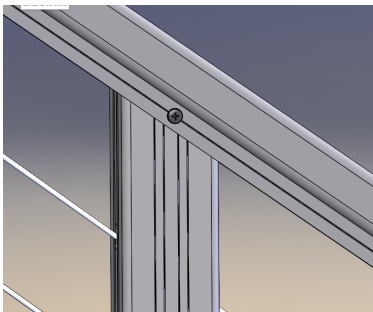
### Stair Splice – Application 1

Example of rail mitered down the stairs in a continuous line.



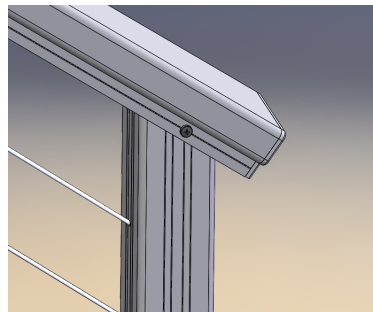
### Stair Splice – Application 2

Example of rail mitered down the stairs in with a 90 degree turn.



### RFX200/300 Stair Intermediate Post

Cut post at the angle of the stairs. Rail slides over top of post and attaches with 2 each screws. 1 screw per side.



### RFX200/300 Level Splice - 2

Cut post at the angle of the stairs. Rail slides over top of post and attaches with 2 each screws. 1 screw per side.

### *\*Please Note\**

- RFX200/300 does not qualify as a graspable rail down the stairway. A secondary handrail must be used (ADA Sub-Rail) or RFX100/250 top rail can be used.
- Painting the ends of the railing that has been cut will help prevent oxidation.
- Railing must be cut square to allow end cap to securely attach to rail.

## RFX200/300 TOP RAIL FOR STAIR APPLICATIONS

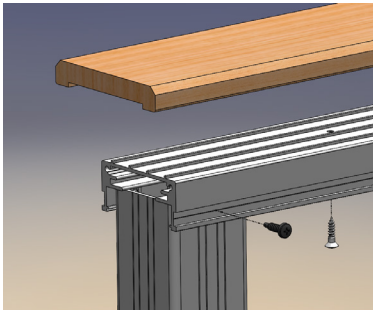
RFX200 Top Rail with Fascia Mount Post -  
Black



RFX200 Top Rail with Surface Mount Post -  
Silver

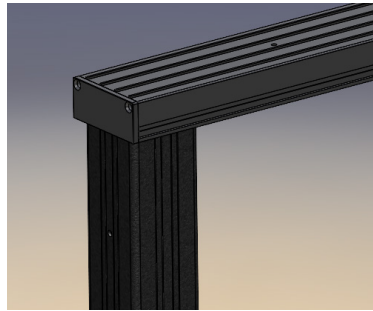


## RFX400 TOP RAIL FOR LEVEL APPLICATIONS



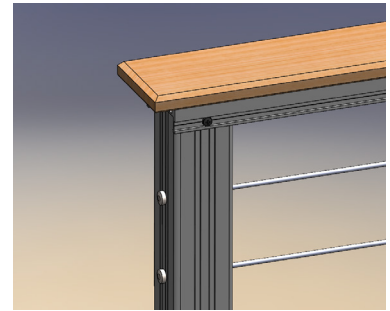
### RFX400 Top Rail

Allows for a wood / composite cap to be attached to the RailFX rail system. Cap can be screwed directly to top rail or dadoed out.



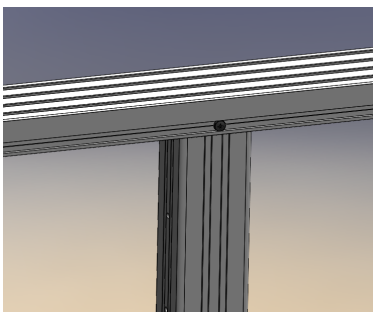
### Attaching to End Post

Top rail slides over top of post and attaches with 2 each screws. 1 screw on each side.



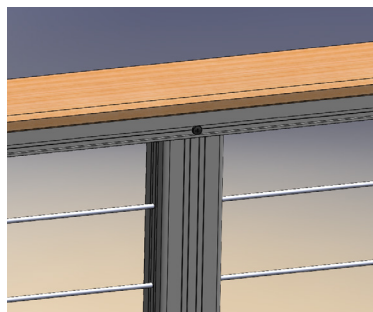
### Attaching to End Post

Wood / Composite cap attaches to RFX400 top rail by screws from the bottom side.



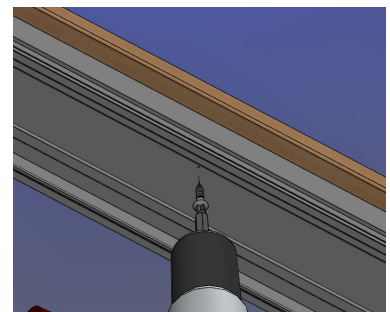
### Attaching to Intermediate Post

Rail slides over top of post and attaches with 2 each screws. 1 screw on each side.



### Attaching to Intermediate Post

Wood / Composite cap attaches to RFX400 top rail by screws from the bottom side.

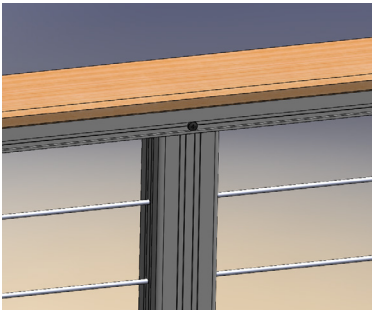


### Screwing from Bottom Side

Wood / Composite cap attaches to RFX400 top rail by customer provided screws from the bottom side.

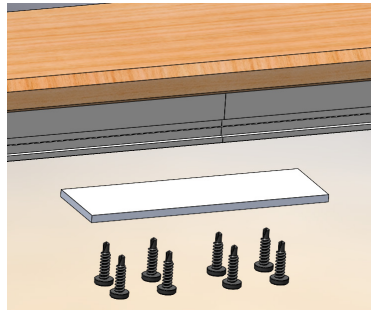
Attach cap before installing flat infill.

## RFX400 TOP RAIL FOR LEVEL APPLICATIONS



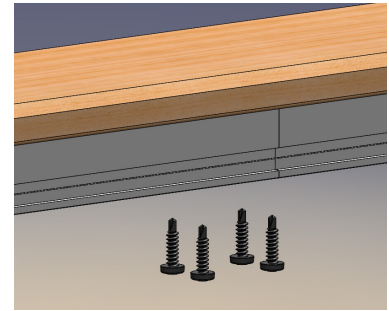
### Straight Splice Option 1

Both top rails slide over top of post and attach with screws. 1 screw on each side. (Total of 4 each screws).



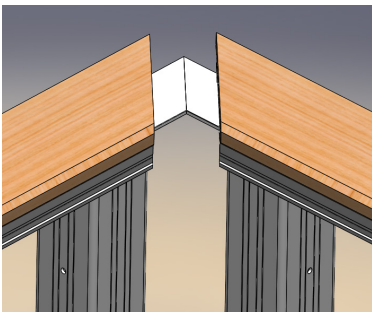
### Straight Splice Option 2

Splice must be secured into place with 8 each screws from underside. Splice is made from a cut piece of Internal Post Stiffener.



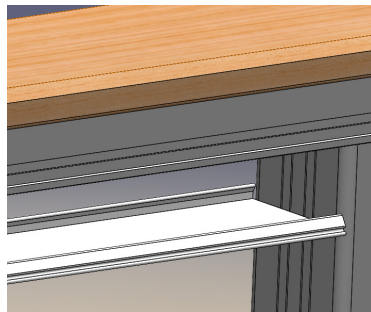
### Straight Splice Option 3

Use wood / Composite as splice to connect rails together where RFX400 rails meet between posts.



### Angle Splice

Splice must be secured into place with 8 each screws from underside. (Top rail must be mitered).



### RFX400 – Flat Infill

Cut flat infill to length and snap into bottom side of top rail.

*Install prior to tensioning the cables.*

## RFX400 TOP RAIL FOR LEVEL APPLICATIONS

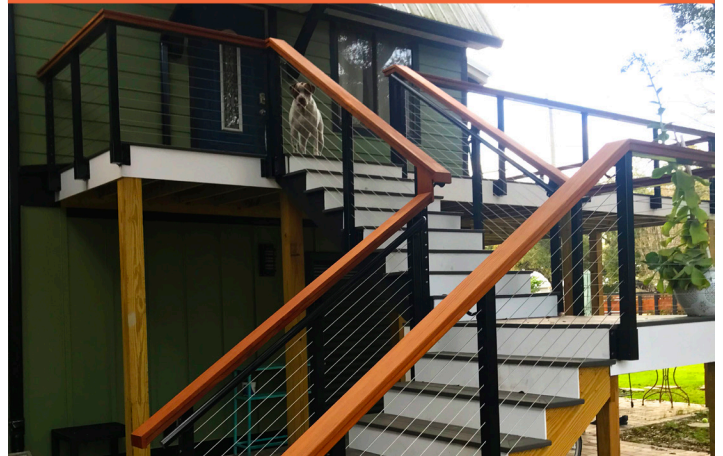
### Special Notes:

- RFX400 top rail is designed to allow for the attachment of a wood or composite cap rail.
- Cap rail **MUST** add 1" or more to overall rail height to reach the required rail heights for both 36" and 42" rails.
- A scarf joint should be used to allow for expansion and contraction of cap rail.
- Painting the ends of railings that have been cut will help to prevent corrosion.

**RFX 400 Top Rail with Composite Cap Rail**



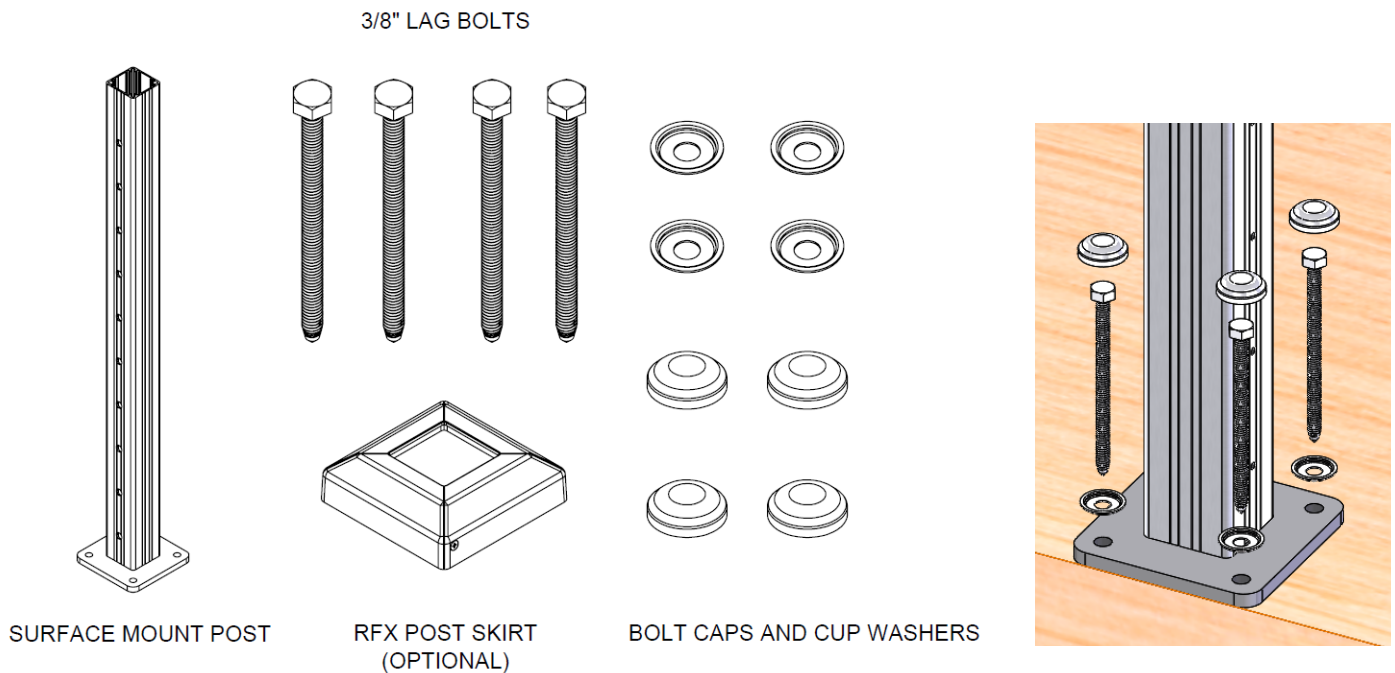
**RFX 400 Top Rail with Wood Cap Rail**



## SURFACE MOUNT POST INSTALLATION

For 36"/42" RailFX Aluminum Railing and Cable System

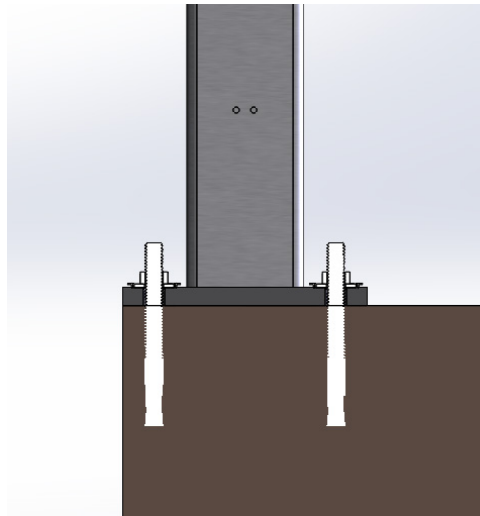
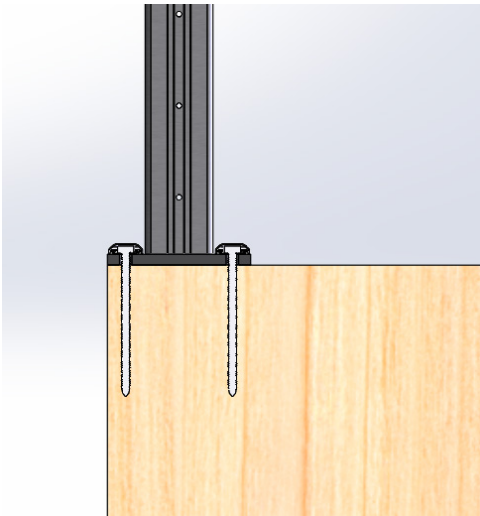
### Materials included for installation:



It is the responsibility of the installer to meet all code and safety requirements, and to obtain all required building permits. The deck and railing installer should determine and implement appropriate techniques for each installation situation. RailFX or its distributors shall not be held liable for improper or unsafe installations. Determine appropriate layout and post spacing- **Maximum post spacing is 60" on center.** Ensure that proper blocking is in place prior to mounting post. 5.5"/7.5" lag must be fully embedded into blocking.

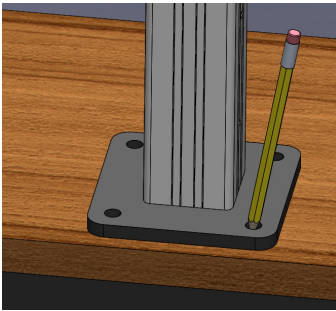
## POST MOUNTING OPTIONS

- Wood blocking must be constructed with treated dimensional lumber
- Secure wood blocking to deck frame on all four sides – using #10-3-1/2" deck screws
- Wood blocking must be constructed with a minimum thickness of 1-1/2"
- Base plate holes MUST be positioned a minimum 1/2" from the edge of the deck board
- Use only 3/8" diameter lag screws to attach post
- Secure each post with four bolts



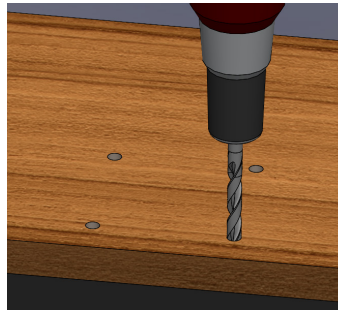
## SURFACE MOUNT POST INSTALLATION

For 36"/42" RailFX Aluminum Railing and Cable System



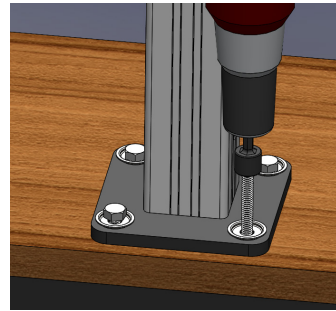
### Step 1

Determine location of post and mark hole locations.



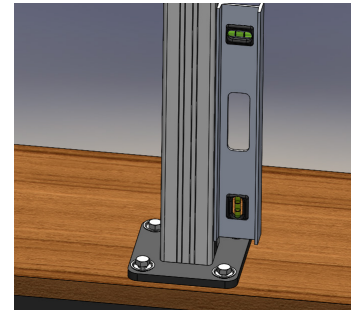
### Step 2

Remove post and pre-drill pilot holes to accept 3/8" diameter lag bolt.



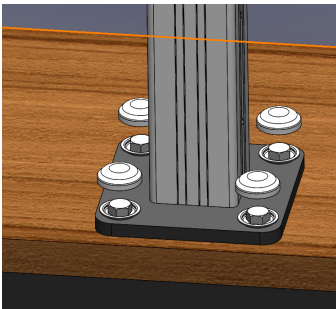
### Step 3

Install cup washer under head of each fastener and drive fastener into blocking.



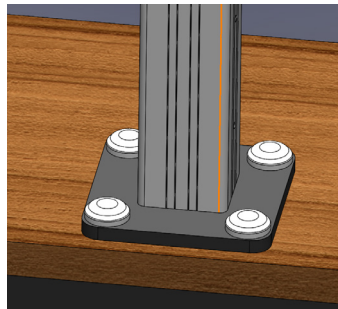
### Step 4

Ensure post is plumb. If not, adjust as needed utilizing composite shims. Tighten fasteners and ensure proper engagement of lags.



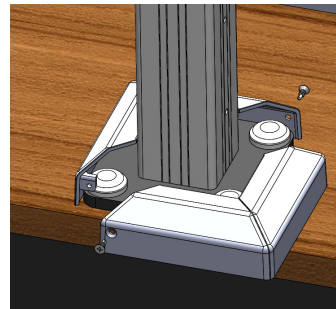
### Step 5a

Press bolt caps onto cup washer to finish post.



### Step 5b

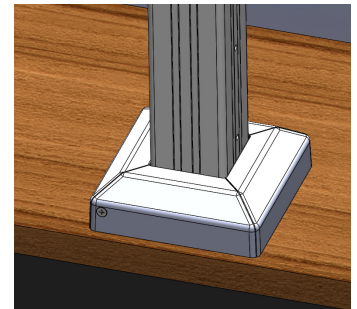
Finished Installation. (Unless using post skirt).



### Step 6a

Install 2 piece post skirt (optional).

Secure with 2 screws (included).

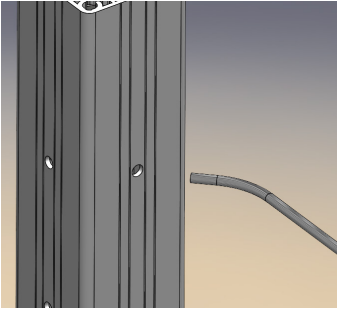


### Step 6b

Finished Installation.

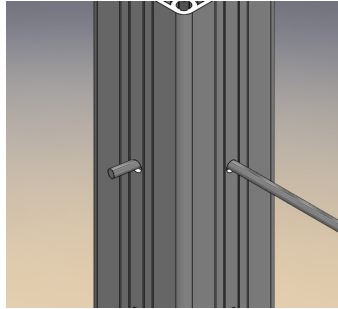


## SINGLE CORNER POST INSTALLATION



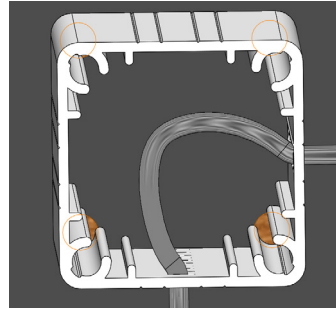
### Step 1: Bend and Insert Cable

Create a bend in cable to allow for easier insertion into post. Do not fray cable end.



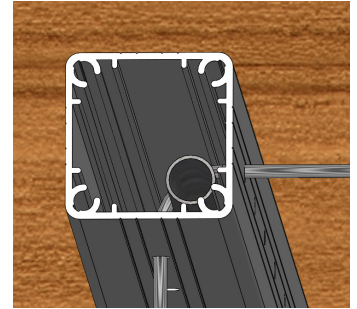
### Step 2: Run Cable

Insert and pull through 1' on all cables on post.



### Step 3: Create a Loop

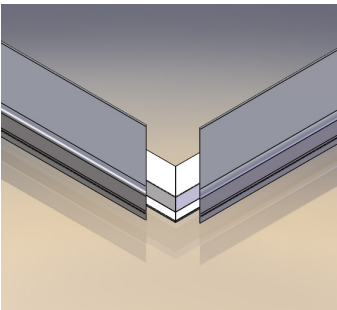
Push cable back into post creating a loop.



### Step 4: Insert Conduit

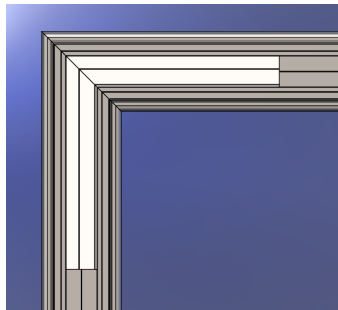
Insert conduit into post and align to inside corner. Pull cables tight to conduit.

## RFX200/300 TOP RAIL – MITER, SPLICE & POST ATTACHMENT



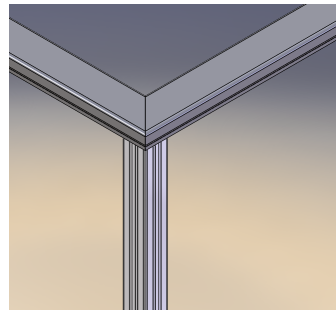
### Step 1: Miter Top Rail

Miter top rails to create a 90 degree corner and slide splice into each end of the rail.



### Step 2: 90 Degree Splice Install

Using 8 each screws, secure splice into top rail from the underside of the rail. Ensure screws do not interfere with post.



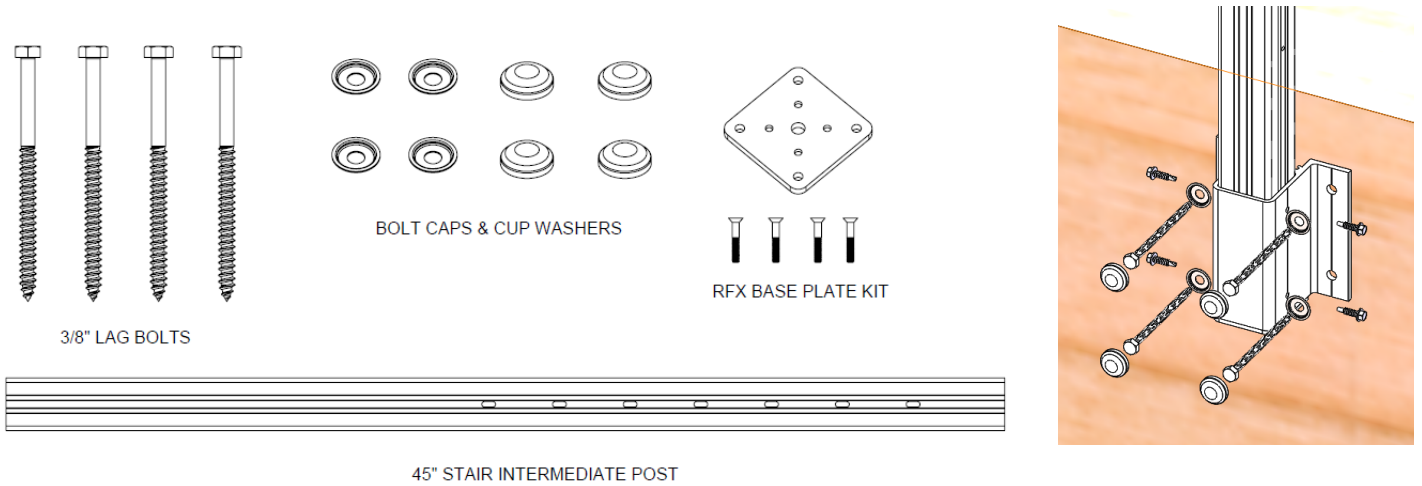
### Step 3: Single Corner Post

Once top rail is secured with a splice, it can be placed onto the post. Use 2 each screws to attach top rail to post.

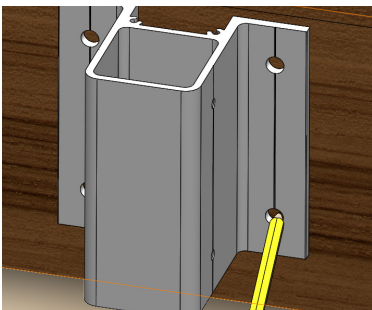
## FASCIA POST WITH BRACKET

## FASCIA MOUNT END POST WITH BRACKET

### Materials included for installation:

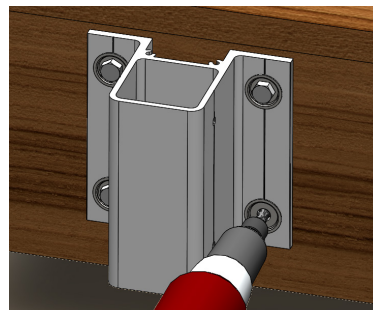


It is the responsibility of the installer to meet all code and safety requirements, and to obtain all required building permits. The deck and railing installer should determine and implement appropriate techniques to each installation. RailFX or its distributors shall not be held liable for improper or unsafe installations. Determine appropriate layout and post spacing – **Maximum post spacing of 60" on center**. Ensure that proper blocking is in place before mounting post.



### Step 1

Determine location of end post fascia bracket. Ensure bracket is plumb, mark holes, remove bracket and drill pilot holes to accept 3/8" diameter lag bolt.



### Step 2

Install cup washer under head of each fastener and drive fastener loosely into blocking.

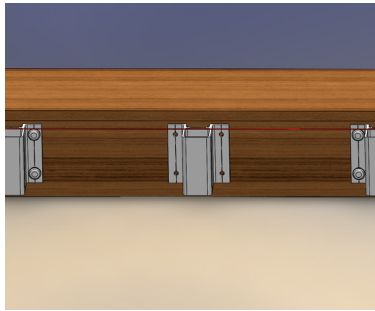


### Step 3

Ensure bracket is plumb, adjust as needed. Tighten fasteners and ensure proper engagement into blocking.

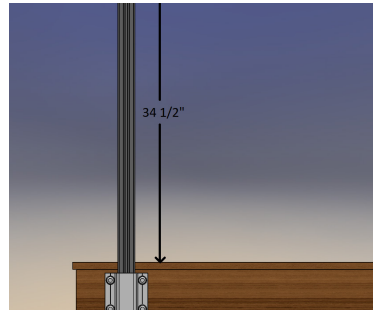
## FASCIA POST WITH BRACKET

### FASCIA MOUNT END POST WITH BRACKET



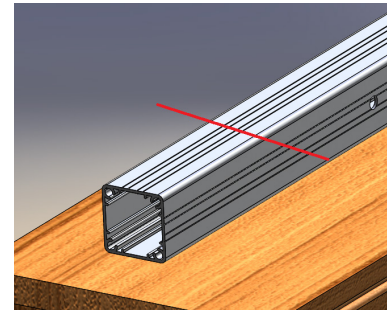
#### Step 4

Install fascia end bracket at opposite end. Measure down from deck boards the same distance as the first bracket.



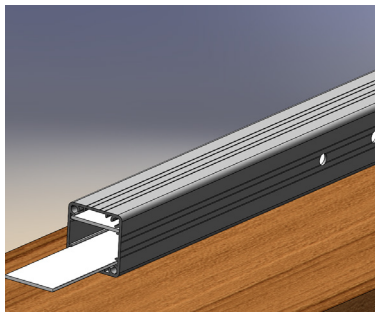
#### Step 5

Insert top of post into bracket and mark bottom of post at 34-1/2" above deck surface to meet 36" rail height requirements.



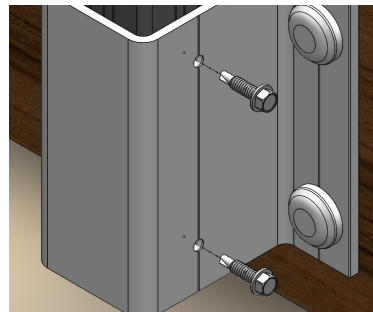
#### Step 6

Cut post end using a sharp carbide 80 tooth blade on a miter saw.



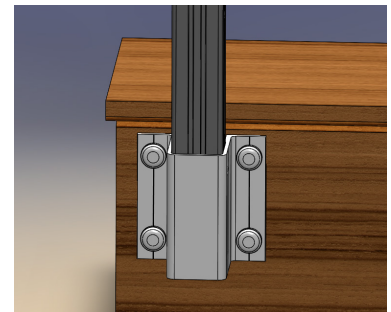
#### Step 7

Insert 2 each post stiffeners into end post parallel to pre-drilled cable fitting holes as shown. Carefully install post with stiffeners into mounted fascia bracket.



#### Step 8

Plumb post and secure into bracket by installing 4 each self-drilling #1/4 x 1" screws.



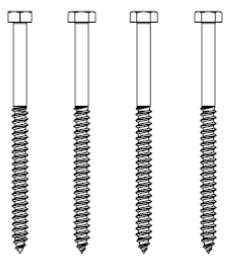
#### Step 9

Install nylon bolt cap covers for a finished look.

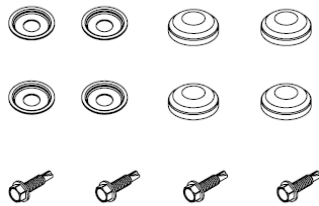
# FASCIA POST WITH BRACKET

## FASCIA MOUNT END POST WITH BRACKET

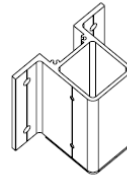
**Materials included for installation:**



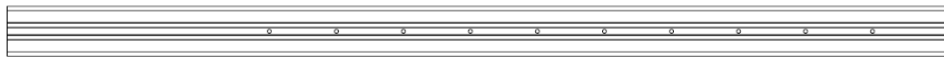
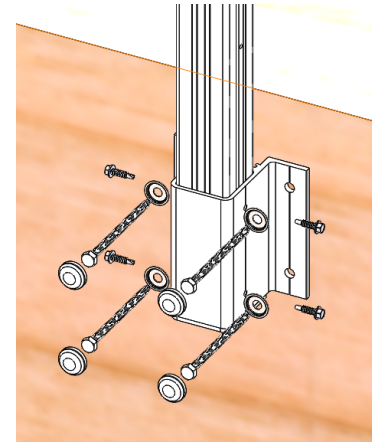
3/8" LAG BOLTS



BOLT CAPS, CUP WASHERS & FASCIA BRACKET SCREWS

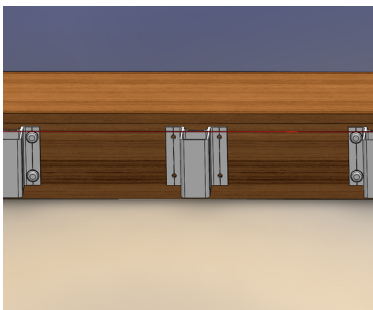


FASCIA BRACKET



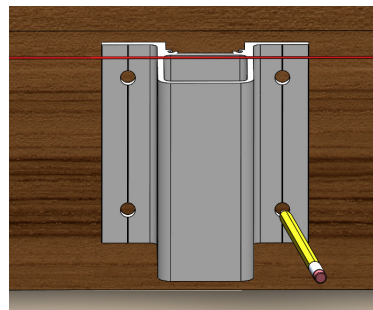
45" FASCIA INTERMEDIATE POST

It is the responsibility of the installer to meet all code and safety requirements, and to obtain all required building permits. The deck and railing installer should determine and implement appropriate techniques to each installation. RailFX or its distributors shall not be held liable for improper or unsafe installations. Determine appropriate layout and post spacing – **Maximum post spacing of 60" on center**. Ensure that proper blocking is in place before mounting post.



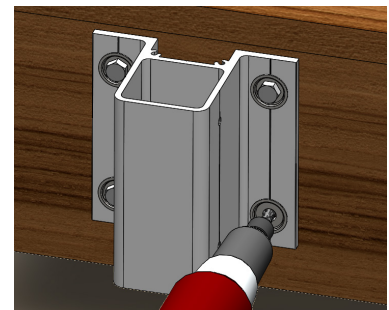
**Step 1**

End post brackets must be installed prior to intermediate bracket placement. A level string is used to place intermediate bracket, ensuring all brackets are on same plane.



**Step 2**

Determine location of fascia bracket. Ensure bracket is level, mark holes, remove bracket and drill pilot holes to accept 3/8" diameter lag bolt.

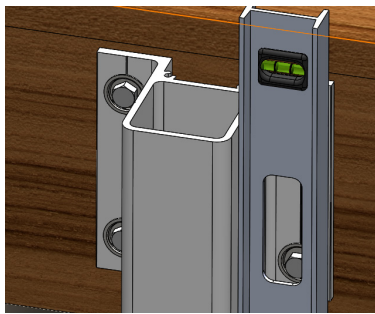


**Step 3**

Install cup washer under head of each fastener and drive fastener loosely into blocking.

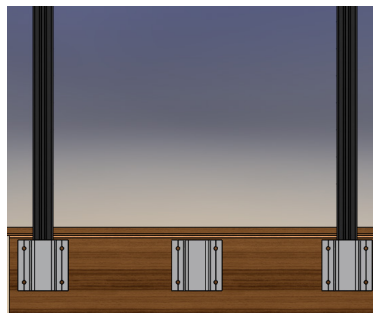
## FASCIA POST WITH BRACKET

### FASCIA MOUNT END POST WITH BRACKET



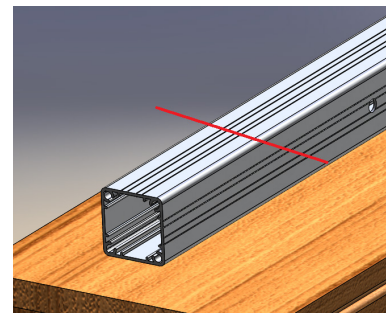
#### Step 4

Ensure bracket is plumb, adjust as needed. Tighten fasteners and ensure proper engagement into blocking.



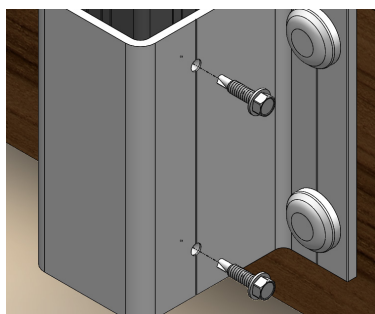
#### Step 5

End posts must be installed prior to intermediate post placement. A level string can be used to properly align all intermediate posts. Posts must be 34-1/2" above deck board for a 36" rail height.



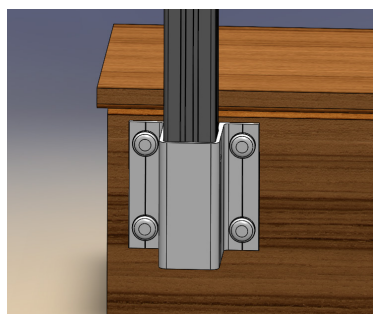
#### Step 6

Insert top of post into fascia bracket and mark where string line intersects. Cut post end using a sharp carbide 80 tooth blade on a miter saw.



#### Step 7

Plumb post and secure into bracket by installing 4 each self-drilling #1/4 x 1" screws.



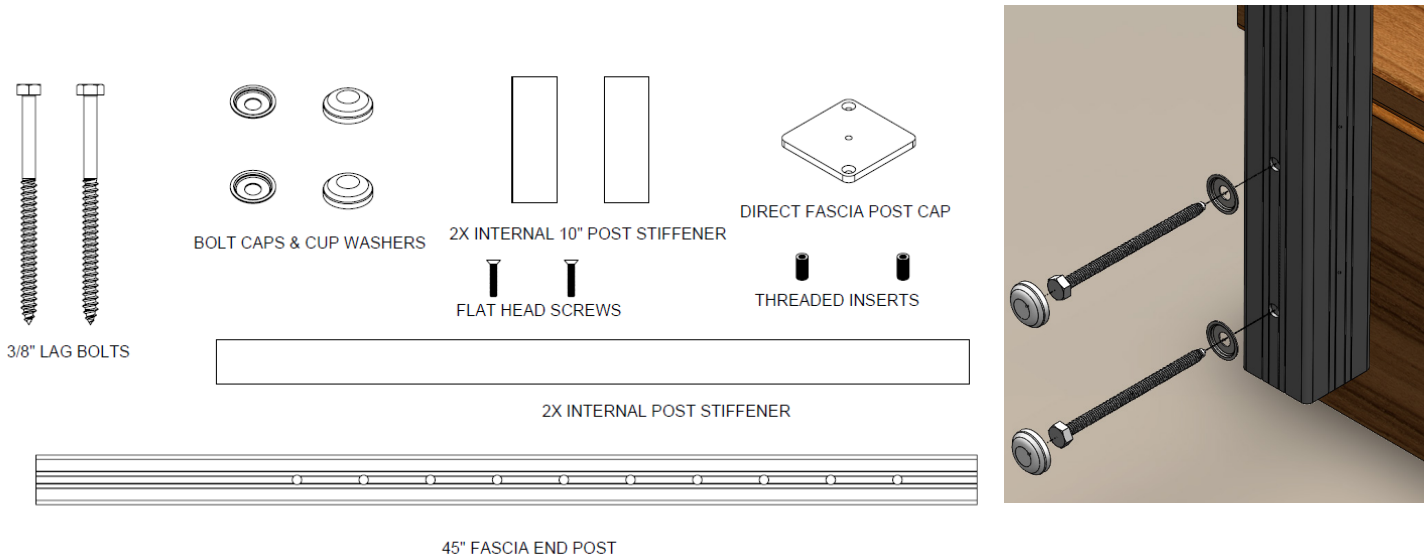
#### Step 8

Install nylon bolt cap covers for a finished look.

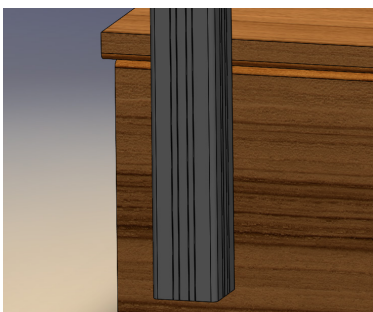
## FASCIA POST WITH BRACKET

## FASCIA MOUNT END POST WITHOUT BRACKET

### Materials included for installation:

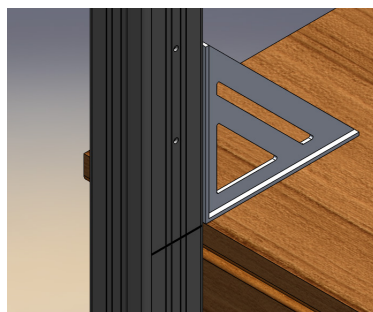


It is the responsibility of the installer to meet all code and safety requirements, and to obtain all required building permits. The deck and railing installer should determine and implement appropriate techniques to each installation. RailFX or its distributors shall not be held liable for improper or unsafe installations. Determine appropriate layout and post spacing – **Maximum post spacing of 60" on center**. Ensure that proper blocking is in place before mounting post.



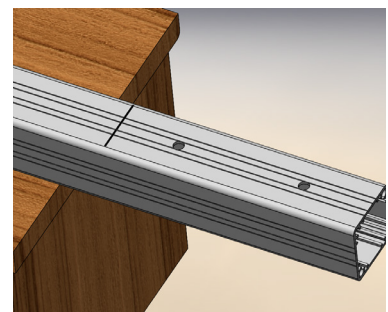
### Step 1

Determine location of end post. (Max. post spacing of 60" on center) Posts must be 34-1/2" above deck board for a 36" rail height.



### Step 2

Mark post at deck height to use as a reference point.

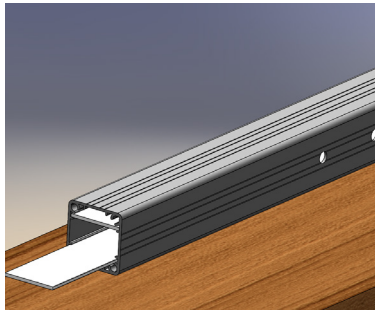


### Step 3

From the mark created, measure down to first hole and mark. The second hole must be at least 4-1/2" down from the first hole. After marking, drill holes. Holes should be marked and drilled separately. If needed, trim excess off end of post.

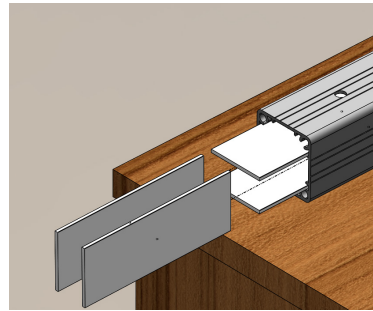
## FASCIA POST WITH BRACKET

### FASCIA MOUNT END POST WITHOUT BRACKET



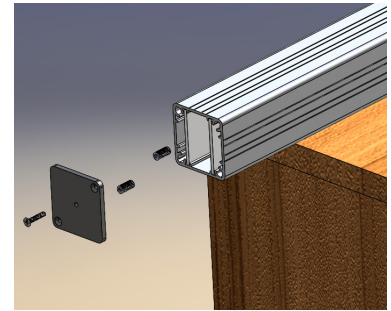
#### Step 4

With post laying horizontally, slide 2 each 34" post stiffeners into existing channels parallel to pre-drilled cable holes. Stiffeners provide necessary rigidity for posts.



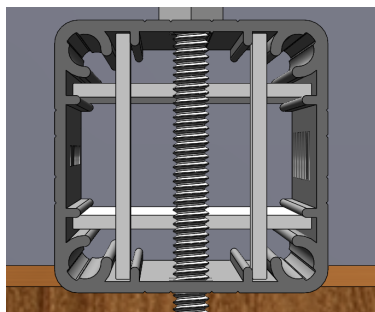
#### Step 4a

Then, slide 2 each 10" post stiffeners into other channels perpendicular to pre-drilled cable holes. Stiffeners provide support for posts.



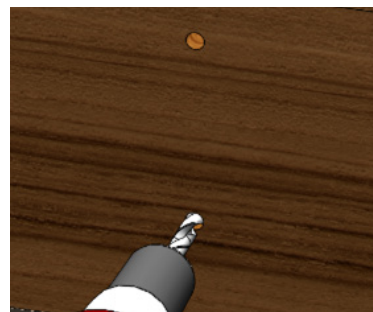
#### Step 4b

Install threaded inserts into opposite corners of post. Then install direct fascia post cap using 2 each provided screws.



#### Step 4c

This cross section looking up from the bottom of the post shows how the stiffeners criss-cross inside the post.



#### Step 5

Confirm location of fascia post. (Max. post spacing 60" on center). Mark holes, remove post and drill pilot holes to accept 3/8" lag bolts.

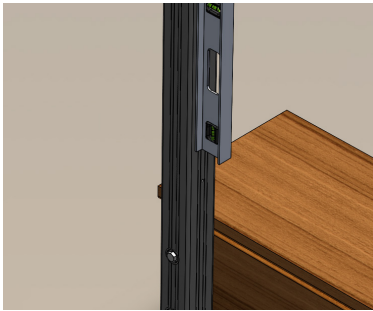


#### Step 6

Install cup washer under head of fastener and drive fastener loosely into blocking.

## FASCIA POST WITH BRACKET

### FASCIA MOUNT END POST WITHOUT BRACKET



#### Step 7

Plumb post, adjust as needed. Tighten fasteners and ensure proper engagement into blocking.



#### Step 8

Install nylon bolt cap covers for a finished look.



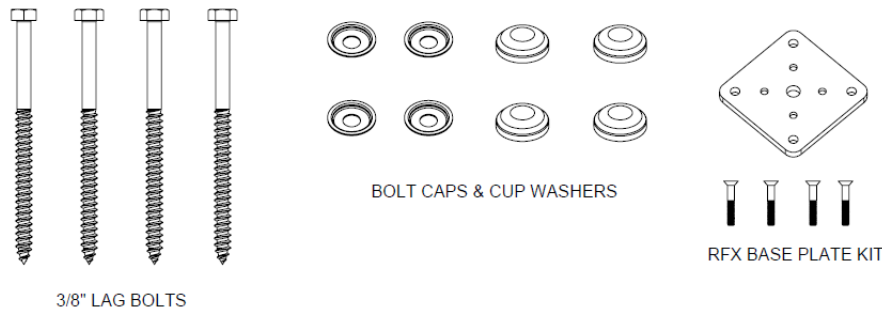
#### Step 9

Finished fascia mount post installed.

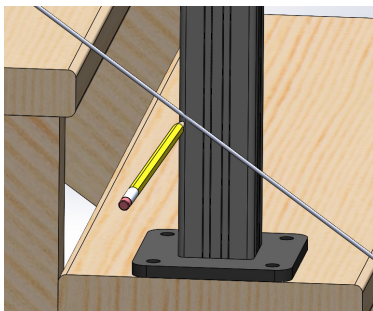


## SURFACE MOUNT STAIR END POST

**NOTE: Post comes long on top and bottom and will require trimming prior to installation.**

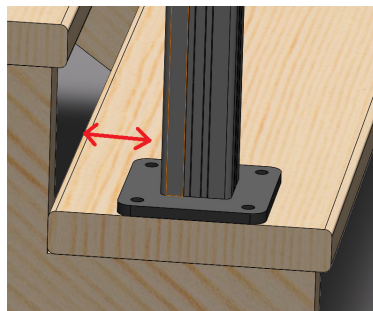


45° STAIR INTERMEDIATE POST



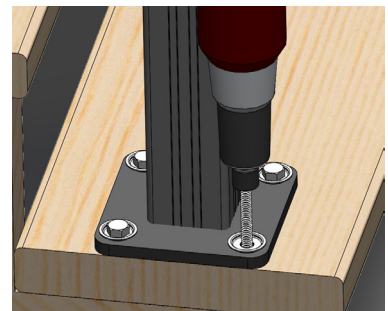
### Step 1

Measure desired height of post and add 3/8" to accommodate base plate.



### Step 2

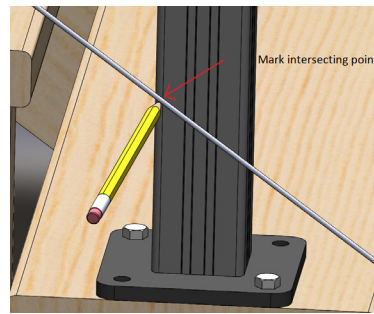
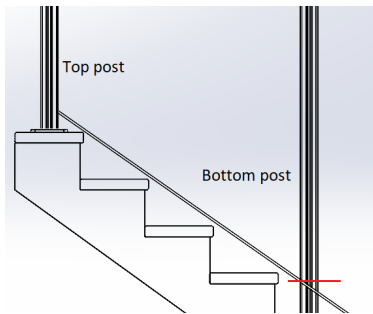
Determine location of bottom end post and mark base plate holes.



### Step 3

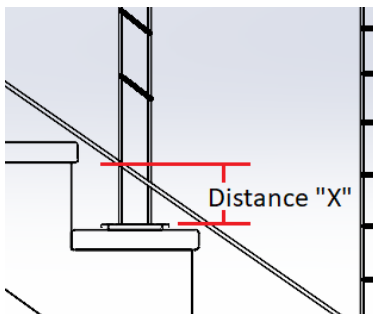
Temporarily fasten post.

## SURFACE MOUNT STAIR END POST



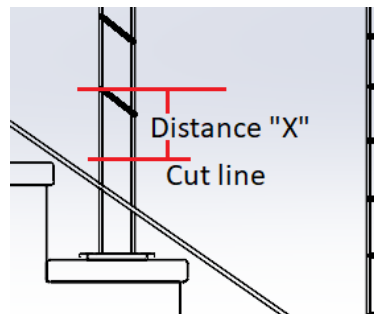
### Step 4

Insert cable into first hole of top end post (previously mounted) and pull tightly along side the bottom end post. Ensure that cable is evenly spaced above the nose of the treads, then mark the bottom end post, using masking tape, where the cable intersects the post.



### Step 5

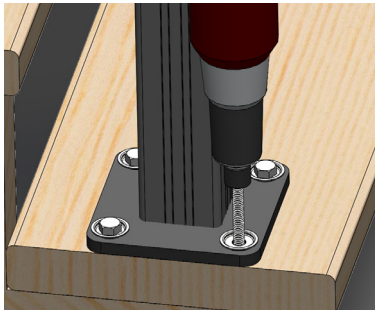
Measure distance (Distance "X") from the mark made in Step 4 to the top of the base plate.



### Step 6

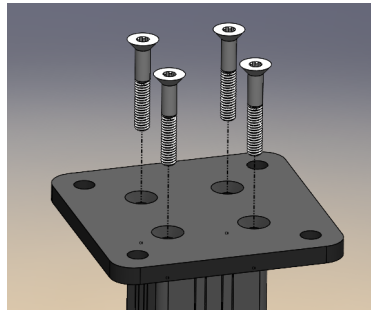
Use Distance "X" from Step 5 and measure down from the center of the first hole (closest to the tread).

## SURFACE MOUNT STAIR END POST



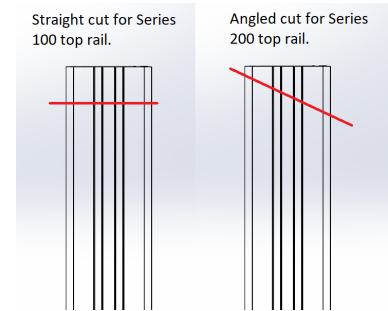
### Step 7

Remove post from tread and remove base plate from post before cutting. Then, cut post at marked cut line from Step 6.



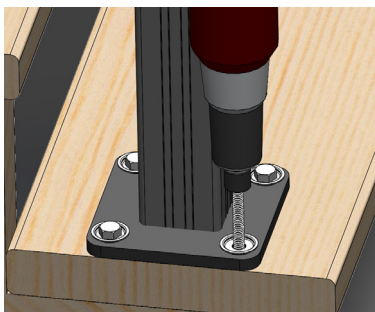
### Step 8

Re-attach base plate to bottom of cut post with all 4 screws. (Use beeswax for easier install).



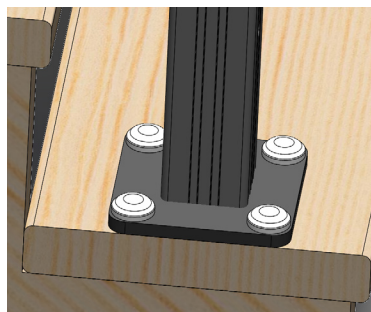
### Step 9

Before final post attachment, the top of the post will need to be cut accordingly, so cable is 3-1/2" or less from top rail.



### Step 10

Attach post to surface.

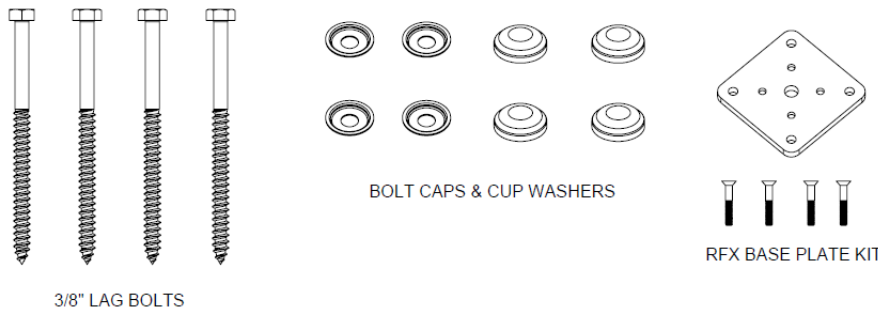


### Step 11

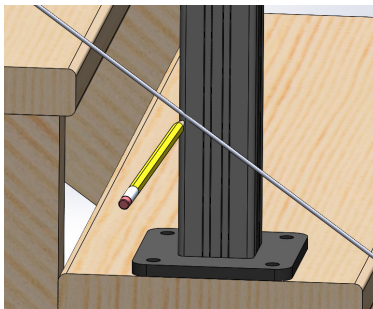
Finished post installation. Bolt caps (shown) or post skirt.

## SURFACE MOUNT STAIR INTERMEDIATE POST

**NOTE: Post comes long on top and bottom and will require trimming prior to installation.**

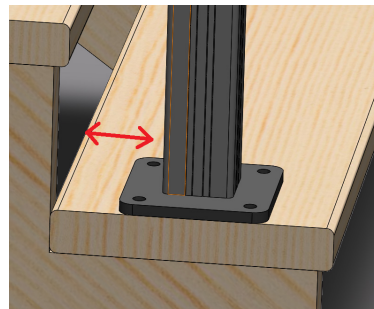


45° STAIR INTERMEDIATE POST



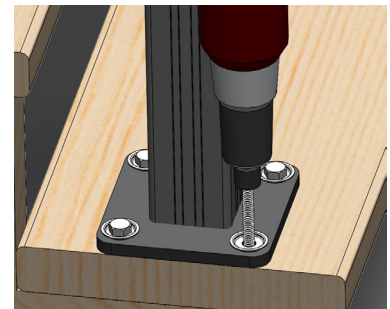
### Step 1

Measure desired height of post and add 3/8"



### Step 2

Determine location of bottom end post and mark base plate holes.

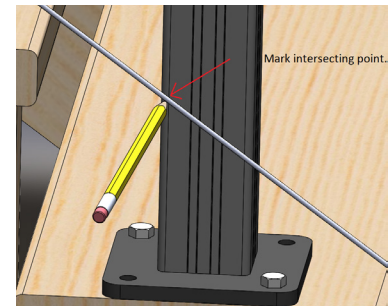
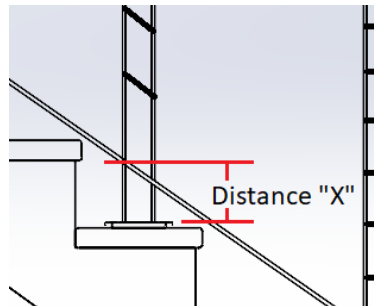


### Step 3

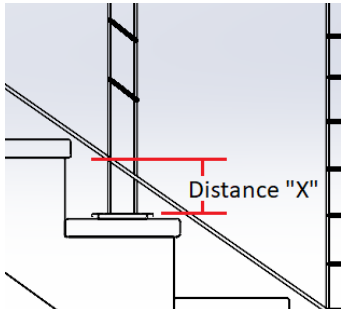
Temporarily fasten post.

### Step 4

Insert cable into first hole of top end post (previously mounted) and pull tightly along side the bottom end post. Ensure that cable is evenly spaced above the nose of the treads, then mark the bottom end post, using masking tape, where the cable intersects the post.

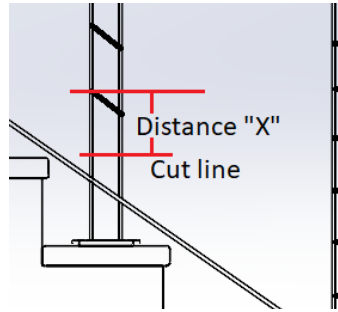


## SURFACE MOUNT STAIR INTERMEDIATE POST



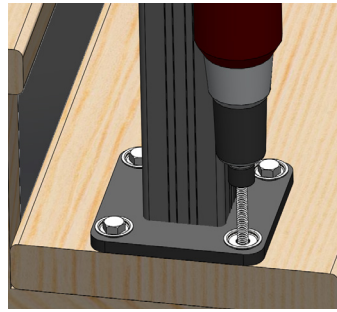
### Step 5

Measure distance (Distance "X") from the mark made in Step 4 to the top of the base plate.



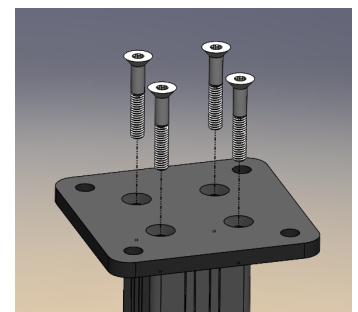
### Step 6

Use Distance "X" from Step 5 and measure down from the center of the first hole (closest to the tread).



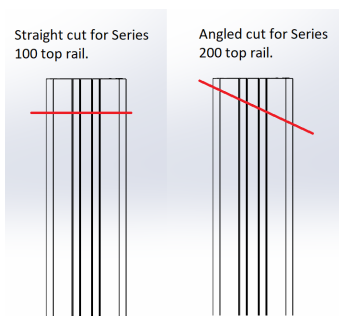
### Step 7

Remove post from tread and remove base plate from post before cutting. Then, cut post at marked cut line from Step 6.



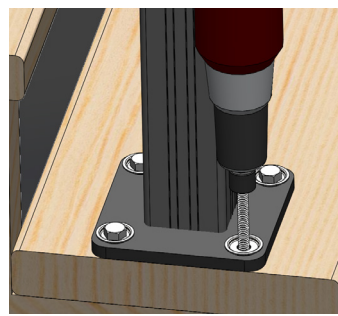
### Step 8

Re-attach base plate to bottom of cut post with all 4 screws. (Use beeswax for easier install).



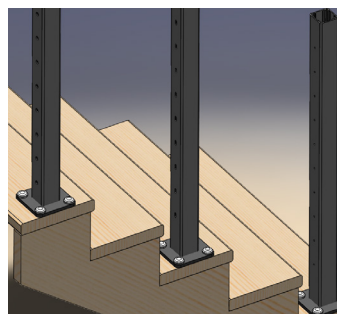
### Step 9

Before final post attachment, the top of the post will need to be cut accordingly, so cable is 3-1/2" or less from top rail.



### Step 10

Attach post to surface.



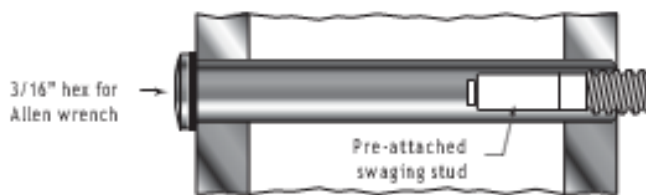
### Step 11

Finished post installation. Bolt caps (Shown) or post skirt.

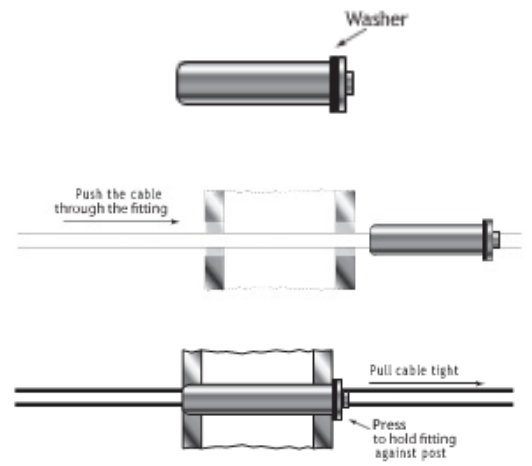
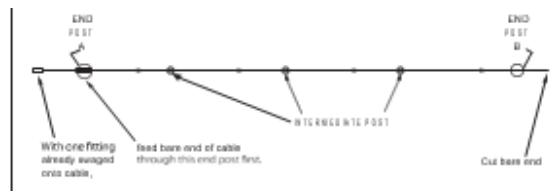
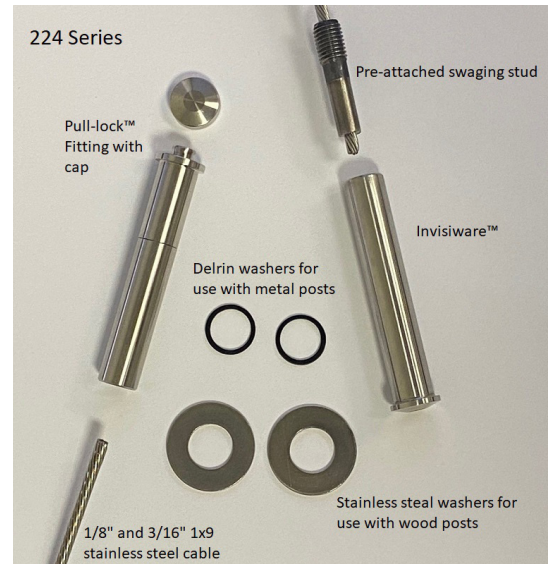
## CABLE INSTALLATION GUIDE

### RFX PROFESSIONAL KIT INSTALLATION INSTRUCTIONS

1. Install the tensioning end first with the 2-3/8" long receiver.
2. Slip the Delrin washer over the body of the receiver and insert the receiver into the post.
3. Start the threaded stud attached to the cable into the receiver and turn 3 complete turns. This will thread about half the stud into the receiver.



4. Run the bare end of the cable through all your intermediate posts and through the end post where the pull-lock fitting will be installed.
5. Slip the Delrin washer over the body of the pull-lock fitting prior to running cable through fitting.
6. Push the cable into the hole in front of the pull-lock fitting. Twist the cable in the right-hand direction as it is being pushed. If the cable begins to "unravel" it is being rotated the wrong way. Push the cable until it is through the fitting.
7. Once the cable is through the fitting, pull cable while holding the pull-lock fitting firmly in the hole on the post. Hold the fitting in one hand while pulling the cable through as tightly as possible.

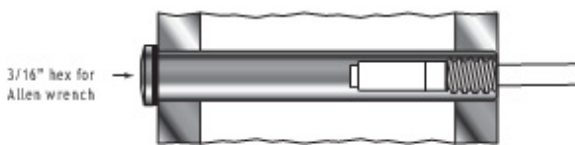


**NOTE:** Longer runs of cable and cables that go around corners may need to be pretensioned.

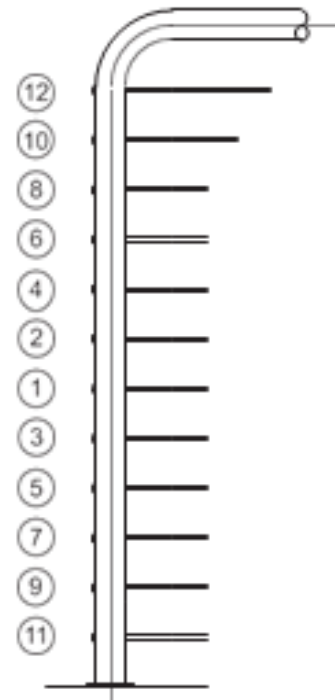
## CABLE INSTALLATION GUIDE

### RFX PROFESSIONAL KIT INSTALLATION INSTRUCTIONS

8. Go to the other end and tension the cable by holding the cable tightly with cable gripping pliers while turning the receiver with an Allen hex wrench. **Be careful to protect the cable from damage while tensioning.**

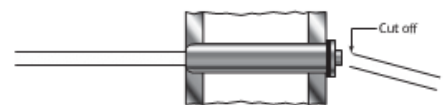
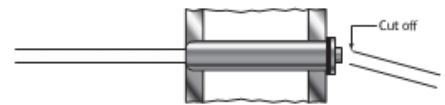


The swaging stud will be pulled into the Receiver by the tensioning.



RECOMMENDED TENSIONING SEQUENCE

9. Tension in sequence beginning with the center cable and moving back and forth toward the top and bottom. As each cable is tensioned, give a sharp pull downward midspan to help set the locking wedges in the pull-lock fitting. Then re-tension as necessary in the same sequence.
10. Cut the cable flush with the hole in the back of the fitting using a cut-off wheel. Then press cap onto fitting.



# LEAN ON US™



2801 Arrowhead Dr.,  
Carson City, NV 89706  
P: 206.453.1123  
railfx.net  
sales@railfx.net