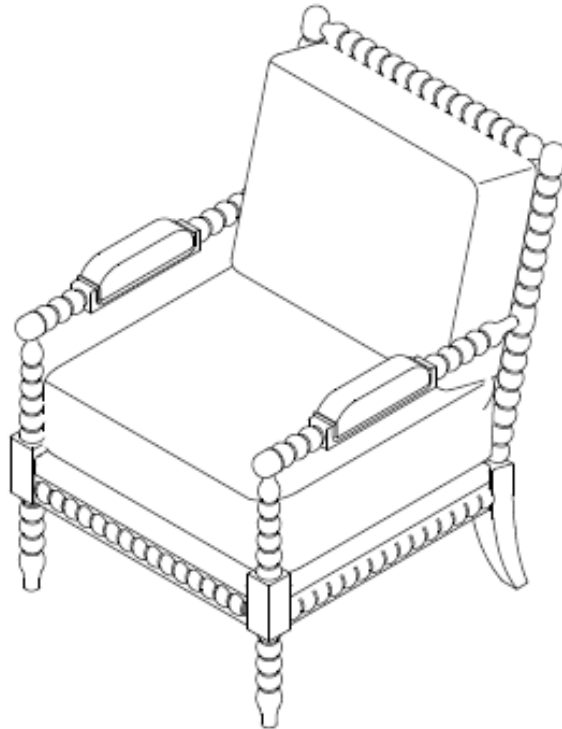




INDOOR LIVING



Silverthorne Spindle Chair

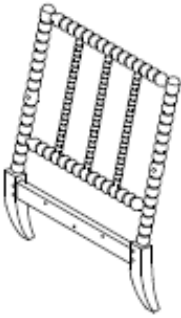
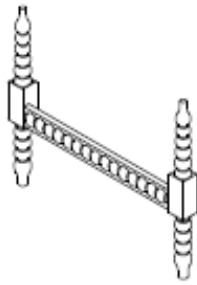
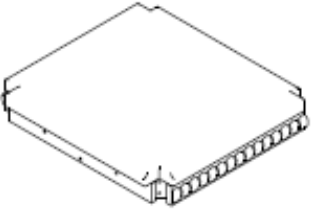
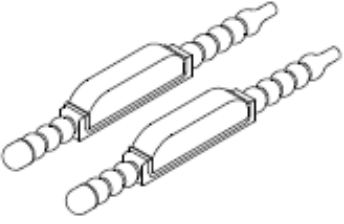
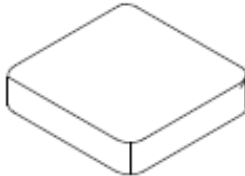
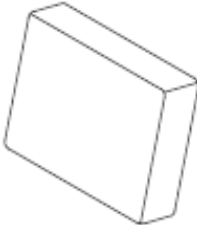
Item No. IF-1108, IF-1109, IF-1110, IF-1111, IF-1112,
IF-1113, IF-1114, IF-1115

For assistance with assembly, please contact DTYStore.com Customer Satisfaction Center
866-217-8155 . CS@DTYStore.com










Made in Vietnam

- Find a smooth clean area in which to work to avoid damaging your item.
- Check that all parts and hardware from the lists are present.
- Lay out parts in alphabetical order and hardware in numerical order to make them easier to find when you are ready to assemble
- Wait to dispose of packing material until assembly is complete to avoid accidentally disposing of small parts or hardware
- Tools required: Hex wrench (included), Phillips Screwdriver not included
- Please use caution and care when lifting the product to avoid injury
- For ease of assembly two people are recommended

Parts List:

<p>A . Back Leg Frame Qty : 01</p> 	<p>B . Front Leg Frame Qty : 01</p> 
<p>C . Seat Frame Qty : 01</p> 	<p>D . Amrest Qty : 02</p> 
<p>E . Cushion Seat Qty : 01</p> 	<p>F . Cushion back Qty : 01</p> 

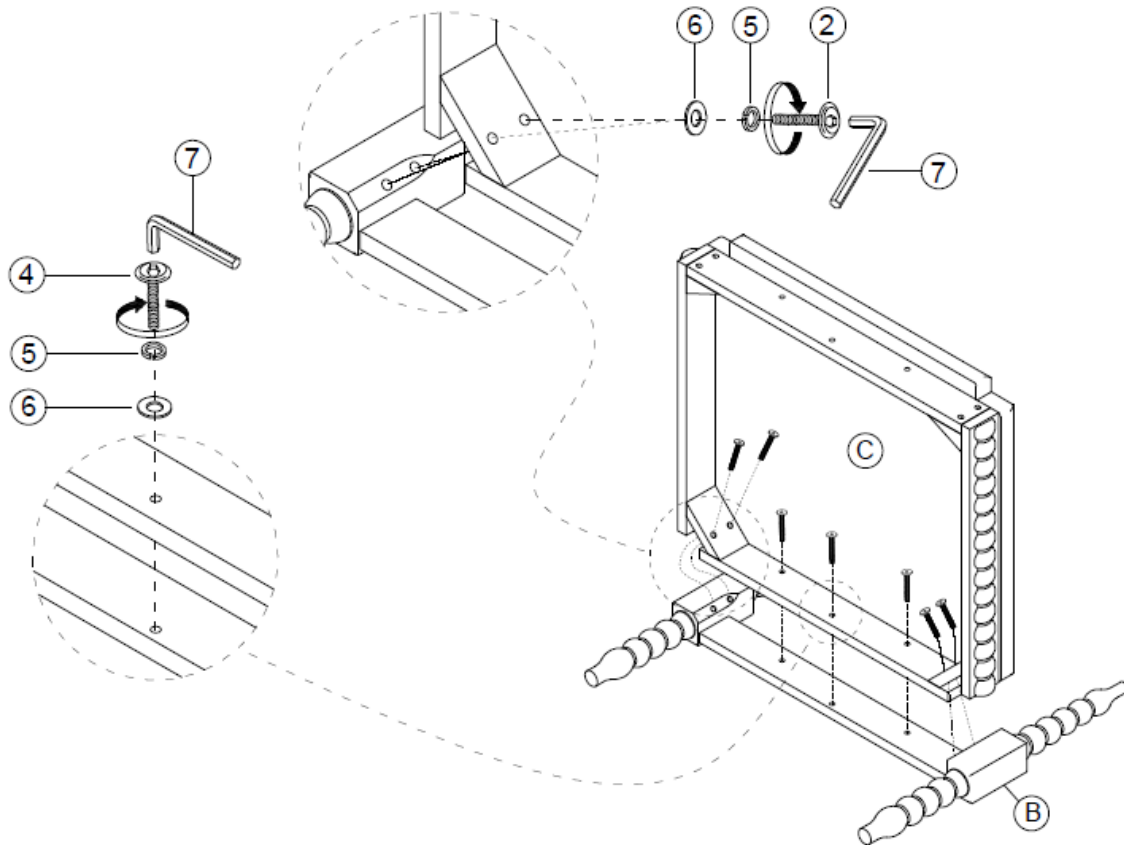
Hardware List:

1. Bolt 3 1/8" L Qty: 4 	2. Bolt 2 3/8" L QTY: 4 	3. Bolt 2" L Qty: 2 
4. Bolt 1 3/8" L Qty: 6 	5. Spring Washer Qty: 14 	6. Flat Washer Qty: 14 
7. Hex Wrench Qty: 1 	8. Screw 1 3/8" L Qty: 2 	9. Wood Plug Qty: 2 

Assembly Instructions:

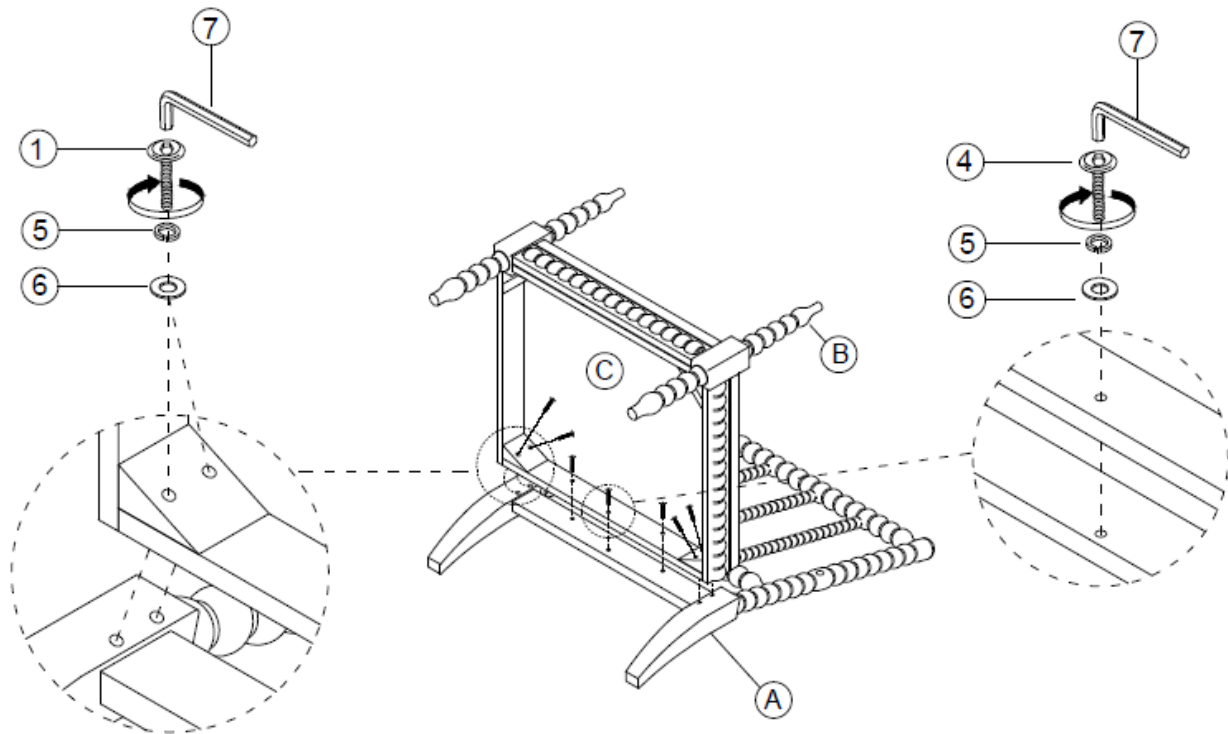
Step 1

- A. Lay Front Leg Frame(B) on a clean flat surface place Seat Frame (C) on top of Front Leg Frame(B). Use four Bolts (2), four Spring Washers (5), and four Flat Washers (6), to attach the Front Leg Frame (B) to the corners of the Seat Frame (C)
- B. Use three Bolts (4), three Spring Washers (5), and three Flat Washers (6), to attach the middle of the Front Leg Frame (B) to the front of the Seat Frame (C)



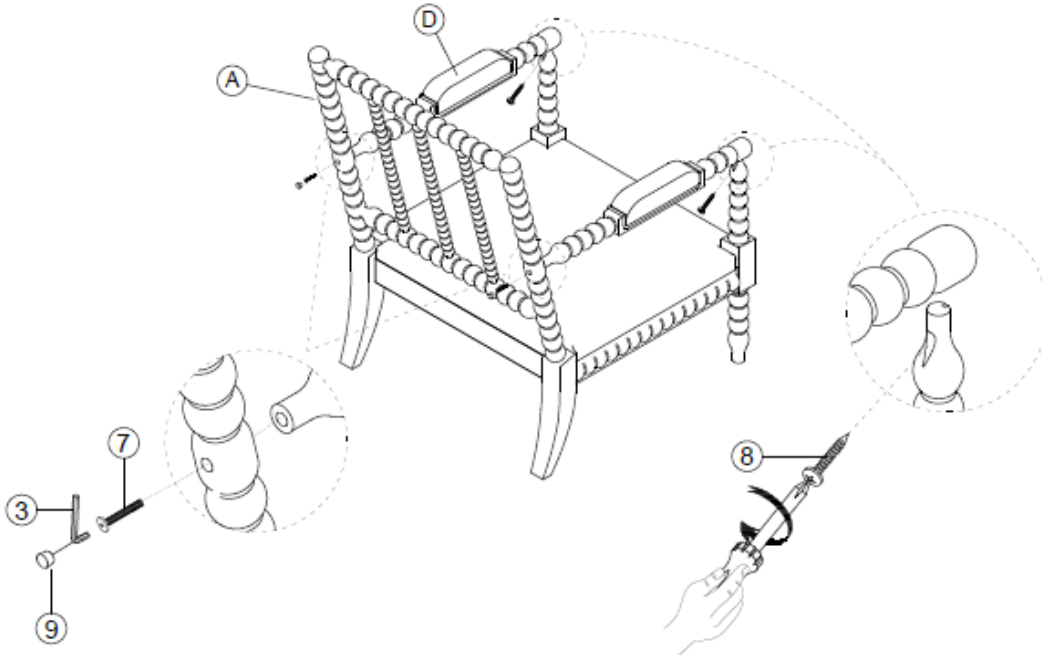
Step 2

- A. Lay Back Leg Frame (A) on a flat surface. Use four Bolts (1), four Spring Washers (5), and four Flat Washers (6), to attach the back corners of the Seat Frame (C) to the Back Leg Frame (A)
- B. Use three Bolts (4), three Spring Washers (5), and three Flat Washers (6), to attach the middle of the Back Leg Frame (A) to the back of the Seat Frame (C)



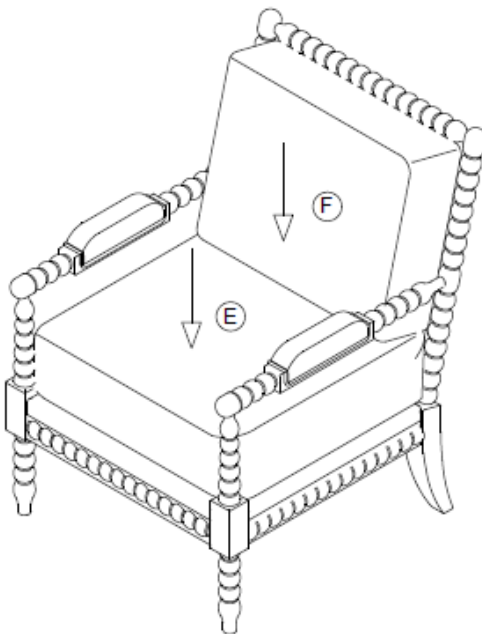
Step 3

- A. With a Phillips screwdriver (not included) use two Screws (8) to attach the rounded end of Armrests (D), to the Front Leg Frame (B)
- B. Use two Bolts (7) to attach the long end of Armrests (D) to the Back Leg Frame (B) use two Wood Plugs (9) to cover the bolt holes in the Back Leg Frame (B)



Step 4

- A. Place Cushion (E) on seat of chair, place cushion (F) against back of chair



Post Assembly Instructions:

- Periodically check bolts to be sure they do not loosen over time.
- Do not stand on spindle chair.

Furniture Care Tips

With proper care your furniture will look beautiful for years to come.

Wood Furniture Tips

- Avoid placing in direct sunlight to keep from fading and discoloring.
- Do not use soap or abrasive cleaners
- Clean up spills as soon as they occur by blotting the food or liquid and then by wiping with a damp cloth
- Vacuum seat cushions periodically to remove dust and dirt
- Use a soft damp cloth to remove normal dust and dirt from the wood,
- Wood furniture should be dusted frequently. Use a lamb's wool duster, microfiber cleaning cloth or cotton cleaning cloth.
- Dusting with a dry cloth can scratch your furniture so lightly spritz your duster with water, a spray duster or wood polish.
- Never spray polish directly on the furniture as it can cause furniture products to buildup.
- Dust in the direction of the grain

Polyester Upholstery Tips

- Avoid placing in direct sunlight to keep from fading and discoloring.
- Vacuum fabric regularly with an upholstery attachment using low suction.
- Use a soft damp cloth to remove normal dust and dirt
- Wipe up spills immediately, as stains are harder to remove once they are set.
- Most minor stains can be cleaned using 1 tablespoon of dishwashing liquid with 2 cups of cool water. Dab onto the stain with a clean, white cloth. Blot until the liquid is absorbed.
- Never use harsh cleaners.