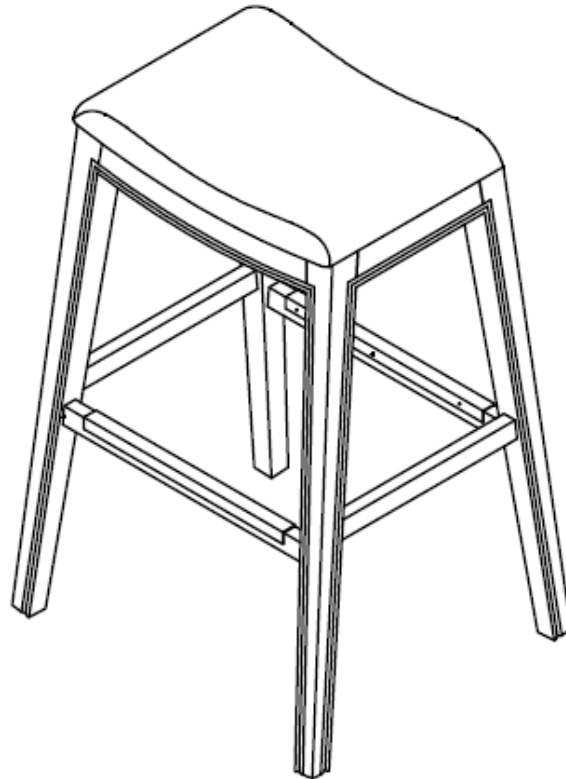




INDOOR LIVING



Saddle Stool

Item No. IF-1001, IF-1002, IF-1009, IF-1010, IF-1021,
IF-1022

For assistance with assembly, please contact DTYStore.com Customer Satisfaction Center
866-217-8155 . CS@DTYStore.com


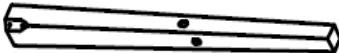
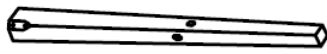


Made in Vietnam

Updated 8-2020




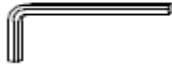
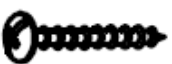
Pre-Assembly Instructions

- Read all instructions carefully before assembly.
- Find a smooth clean area in which to work to avoid damaging your item.
- Check that all parts and hardware from the lists are present.
- Lay out parts in alphabetical order and hardware in numerical order to make them easier to find when you are ready to assemble
- Wait to dispose of packing material until assembly is complete to avoid accidentally disposing of small parts or hardware
- Tools required: Hex wrench (included) Phillips Screwdriver (not included)
- Please use caution and care when lifting the product to avoid injury
- For ease of assembly two people are recommended

Parts List:

<p>A. Seat Qty:1</p> 	<p>B. Right Leg Qty: 2</p> 	<p>C. Left Leg Qty: 2</p> 
<p>D. Long Stretcher Qty: 2</p> 	<p>E. Short Stretcher Qty: 2</p> 	

Hardware List:

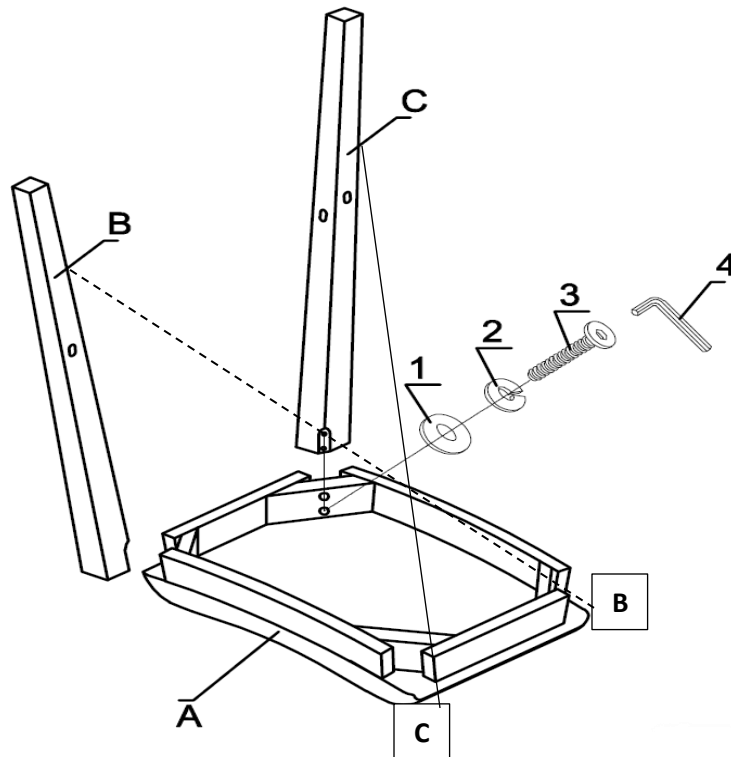
<p>1. Flat Washer Qty: 8</p> 	<p>2. Spring Washer QTY: 8</p> 	<p>3. 60mm Bolt Qty: 8</p> 
<p>4. Hex Wrench Qty: 1</p> 	<p>5. Screw Qty: 8</p> 	

Assembly Instructions:

Step 1

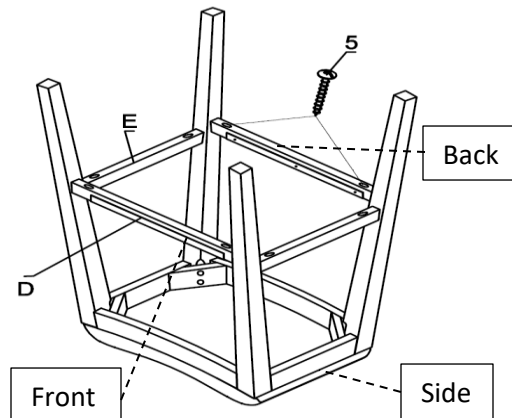
Wait to fully tighten all hardware until the end of Step 2.

- A. Place Seat (A) upside down on a soft surface. Use two Bolts (3), two Spring Washers (2), and two Flat Washers (1), to loosely attach Right Leg (B) to Seat (A).
- TIP: Leg should line up perfectly with the apron of the chair, if there are any gaps between the leg and the seat frame, the leg is in the wrong corner**
- B. Use two Bolts (3), two Spring Washers (2), and two Flat Washers (1), to loosely attach Left Leg (C) to Seat (A).
 - C. Repeat with remaining legs. Legs should be in opposite corners not on the same side of the stool.



Step 2

- A. Use two Screws (5), to **loosely** attach Long Stretcher (D) between Right Leg (B) and Left Leg (C) across the front of the stool. Be sure metal foot plate faces the bottom of the seat and screws on the foot plate face the center of the stool.
TIP: Press both legs against the stretcher bar, lightly tighten the screws (5) to hold the stretcher bar in place. Make sure the stretcher bar is flush (no gaps) against the leg, this will help with stabilization.
- B. Use two Screws (5), to **loosely** attach Long Stretcher (D) between Right Leg (B) and Left Leg (C) across the back of the stool. Be sure metal foot plate faces the bottom of the seat and screws on the foot plate face the center of the stool.
- C. Use two Screws (5), to **loosely** attach Short Stretcher (E) between Right Leg (B) and Left Leg (C) across one side of the stool repeat for remaining side.
TIP: Press both legs against the stretcher bar, lightly tighten the screws (5) to hold the stretcher bar in place. Make sure the stretcher bar is flush (no gaps) against the leg, this will help with stabilization.
- D. Fully Tighten all leg bolts
TIP: To help line up the decorative edge and prevent uneven legs, set stool right side up on the floor and press down on each corner of the chair to finish tightening the bolts.
- E. Fully Tighten all stretcher screws
TIP: To help ensure that the stool sits flat on the floor all stretchers bars must be screwed in tightly. If the stool wobbles make sure the stretcher is flush (no gaps) against the leg and all leg bolts are tight.



Post-Assembly Instructions:

- Periodically check hardware to be sure they do not loosen over time.
- Do not stand on stool or stretchers.

Furniture Care Tips

With proper care your furniture will look beautiful for years to come.

- Avoid placing in direct sunlight to keep from fading and discoloring.
- Do not use soap or abrasive cleaners
- Use a soft damp cloth to remove normal dust and dirt, then dry with a clean cloth until completely dry.
- Clean up spills as soon as they occur by blotting the food or liquid and then by wiping with a damp cloth
- A good quality leather cleaner and conditioner may be used periodically following their instructions.
- Wood furniture should be dusted frequently. Use a lamb's wool duster, microfiber cleaning cloth or cotton cleaning cloth.
- Dusting with a dry cloth can scratch your furniture so lightly spritz your duster with water, a spray duster or wood polish.
- Never spray polish directly on the furniture as it can cause furniture products to buildup.
- Dust in the direction of the grain

With proper care your bonded leather furniture will look beautiful for years to come.

- Avoid placing in direct sunlight to keep from fading and discoloring.
- Never use harsh or alcohol-based cleaners.
- Use a soft damp cloth to remove normal dust and dirt and wipe up spills as soon as they occur.
- A good quality leather conditioner may be used periodically following manufacturer's instructions.