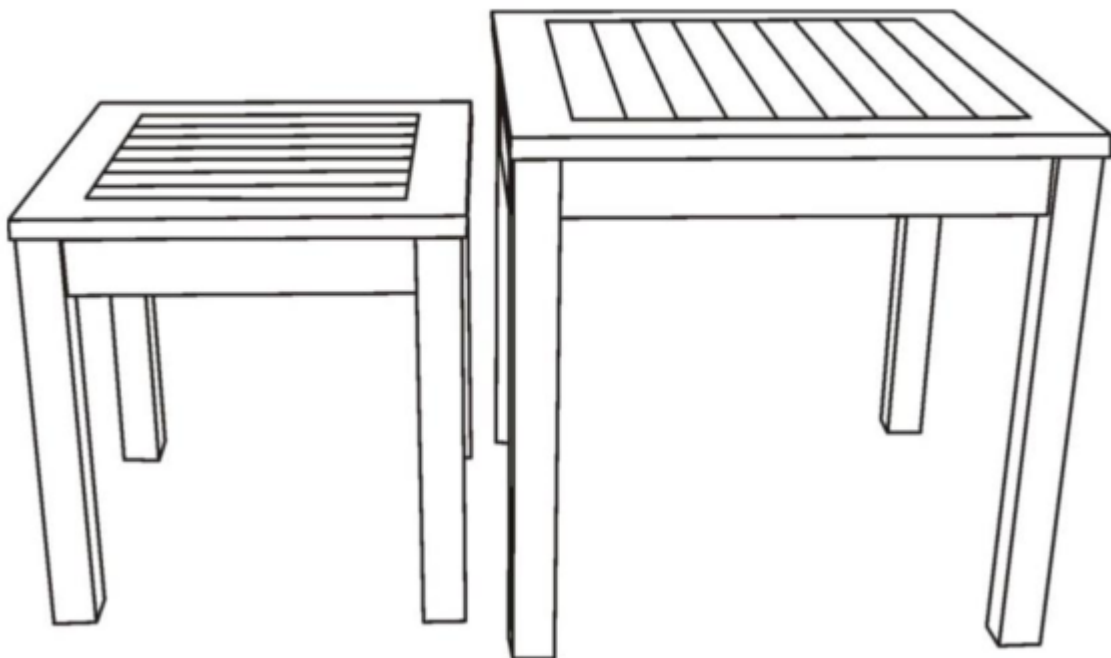




OUTDOOR LIVING



Eucalyptus Nesting Side Tables

Item No. OF-1016

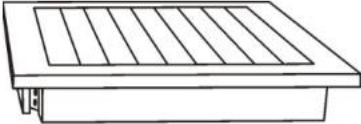



For assistance with assembly, please contact DTYStore.com Customer Satisfaction Center
866-217-8155 . CS@DTYStore.com

Made in Vietnam




Pre-Assembly Instructions

- Read all instructions carefully before assembly.
- Find a smooth clean area in which to work to avoid damaging your item.
- Check that all parts and hardware from the lists are present.
- Lay out parts in alphabetical order and hardware in numerical order to make them easier to find when you are ready to assemble
- Wait to dispose of packing material until assembly is complete to avoid accidentally disposing of small parts or hardware
- Tools required: Hex wrench (included) Phillips screwdriver and flathead screwdriver (not included)
- Please use caution and care when lifting the product to avoid injury
- For ease of assembly two people are recommended

Parts List:

A. Large Top Qty: 1 	B. Long Leg Qty: 4 	C. Small Top Qty: 1 	D. Short Leg Qty: 4 
--	--	---	---

Hardware List:

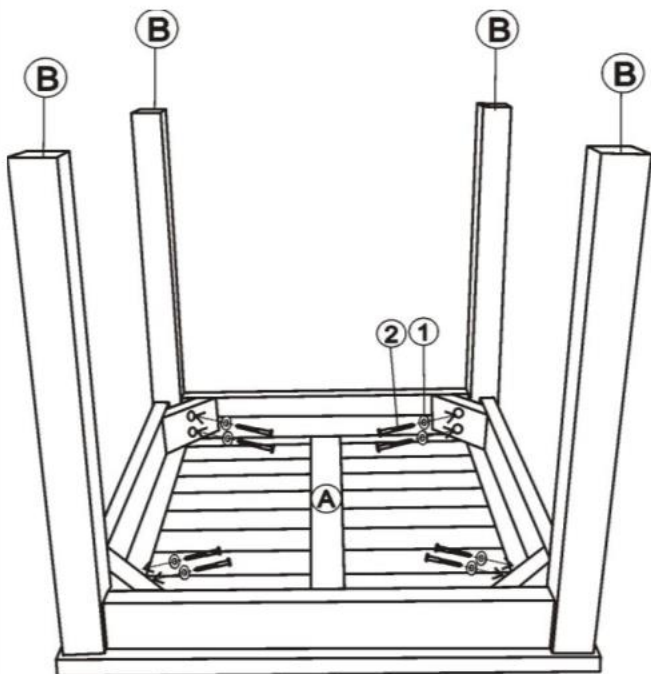
1. Washer Qty: 16 	2. Screw Qty: 16 	3. Hex Wrench Qty: 1 
--	---	---

Assembly Instructions:

Step 1

Place the Large Top (A) upside-down on a flat surface.

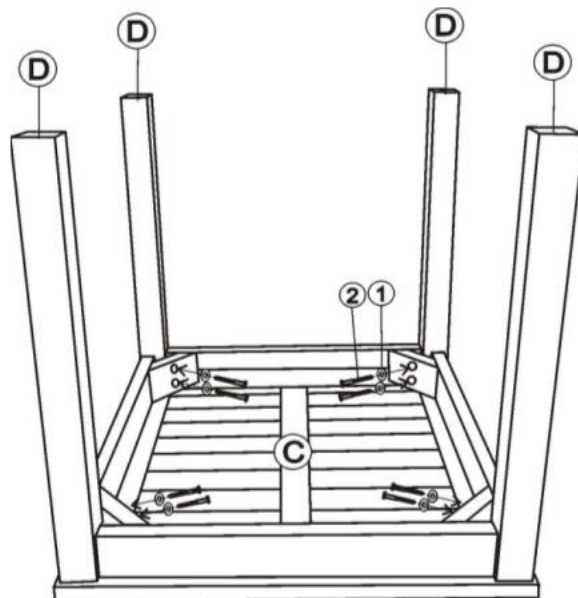
Use two Washers (1) and two Screws (2) to secure each Long Leg (B) to the corners of the Large Top. Tighten all Screws with the Wrench (3).



Step 2

Place the Small Top (C) upside-down on a flat surface.

Use two Washers and two Screws to secure each Short Leg (D) to the corners of the Small Top. Tighten all Screws with the Wrench (3). Turn the tables upright.



Post-Assembly Instructions:

- Periodically check fasteners to be sure they do not loosen over time.
- Do not stand or sit on this item.

Outdoor Furniture Care Instruction:

With the proper care your premium eucalyptus furniture will last up to 25 years or more. For unfinished furniture, we suggest lightly sanding the surface of the furniture with 150 or 180 grit sandpaper once a year to remove any fuzziness and any larger splinter causing fibers that occur due to exposure to the elements. Be sure to sand lightly to retain the natural patina. Furniture with an oil finish should also be treated yearly with a light coat of wood oil designed for eucalyptus or teak by applying it with a soft cloth. For finished furniture, we recommend brushing off any loose dirt or debris with a soft brush and wiping down with a mild detergent and water. We recommend you protect your furniture in the off season by using a good quality furniture cover. It helps keep your furniture clean and protects it from the elements thus minimizing annual maintenance.