



OUTDOOR LIVING



Aspen Plantation Chair

Item No. OF-1015

For assistance with assembly, please contact DTYStore.com Customer Satisfaction Center
866-217-8155 . CS@DTYStore.com

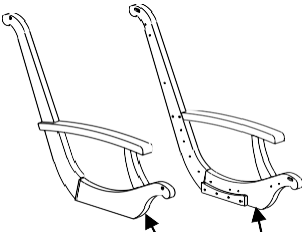
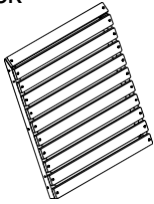
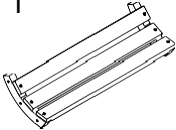
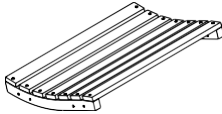
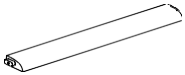


Made in Vietnam

Pre-Assembly Instructions





- Read all instructions carefully before assembly.
- Find a smooth clean area in which to work to avoid damaging your item.
- Check that all parts and hardware from the lists are present.
- Lay out parts in alphabetical order and hardware in numerical order to make them easier to find when you are ready to assemble
- Wait to dispose of packing material until assembly is complete to avoid accidentally disposing of small parts or hardware
- Tools required: Hex wrench (included)
- Please use caution and care when lifting the product to avoid injury

For ease of assembly two people are recommended

Parts List:

 <p>1. Sides left right</p>	<p>2. Back Qty: 1</p> 	<p>3. Small Seat Qty: 1</p> 	<p>4. Large Seat Qty: 1</p> 
<p>5. End Qty: 2</p> 	<p>6. Leg Qty: 2</p> 	<p>7. Cross-Bar Qty: 2</p> 	

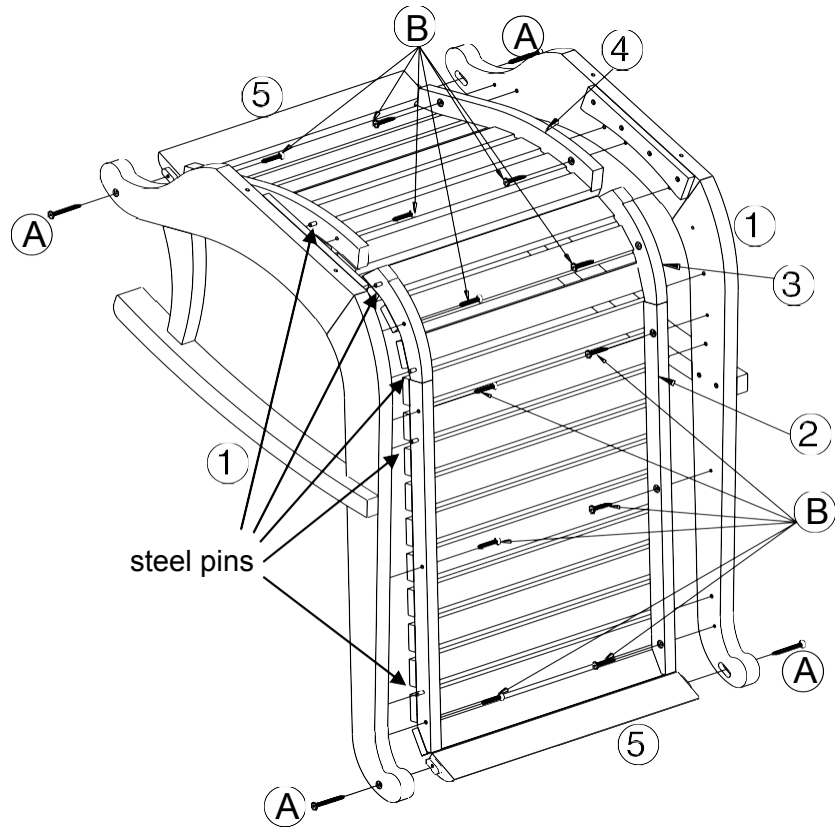
Hardware List:

<p>A. Medium Screw (70mm long) Qty: 8</p> 	<p>B. Short Screw (45mm long) Qty: 12</p> 
<p>C. Long Screw (120mm long) Qty: 4</p> 	<p>D. Hex Wrench Qty: 1</p> 

Assembly Instructions:

Step 1

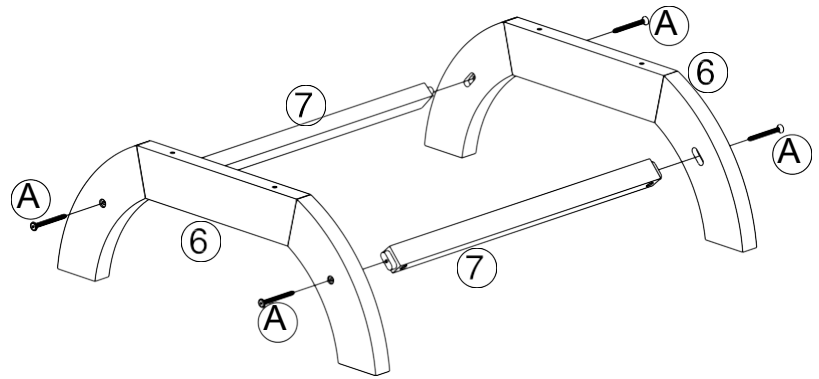
- a. Use two Medium Screws (A) to secure the Ends (5) to **one** of the Sides. Note the orientation of the Ends.
- b. Note the steel pins in the sides of the Large Seat (4), the Small Seat (3), and the Back (2). Insert these pins in the holes of the Side.
- c. Partially insert six Short Screws (B) to loosely attach the Large Seat (4), the Small Seat (3), and the Back (2) to the Side.
- d. Follow a, b, and c to loosely attach these parts to the **other** Side.
- e. Use the Hex Wrench (D) to fully tighten all 16 Screws.



Step 2

Use two Medium Screws (A) to loosely attach the two Cross-Bars (7) to **one** of the Legs (6).

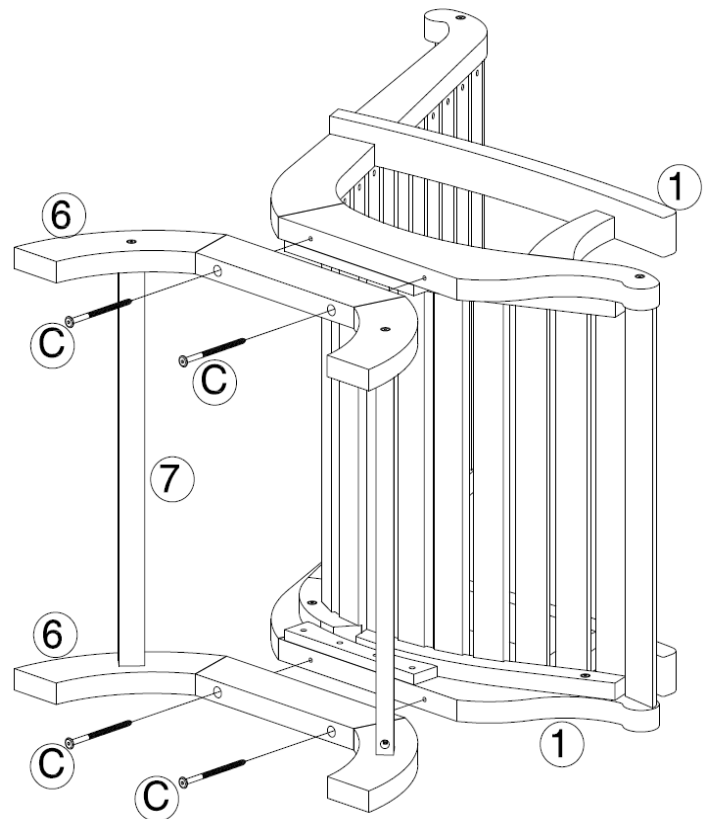
Use two Medium Screws (A) to loosely attach the two Cross-Bars (7) to the **other** Leg (6).



Step 3

Use four Long Screws (C) to loosely attach the Legs (6) to the Sides as shown.

Use the Hex Wrench (D) to tighten all eight Screws from Steps 2 and 3.



Post-Assembly Instructions:

- Periodically check fasteners to be sure they do not loosen over time.
- Do not stand on this item.

Outdoor Furniture Care Instruction:

With the proper care your premium eucalyptus furniture will last up to 25 years or more. For unfinished furniture, we suggest lightly sanding the surface of the furniture with 150 or 180 grit sandpaper once a year to remove any fuzziness and any larger splinter causing fibers that occur due to exposure to the elements. Be sure to sand lightly to retain the natural patina. Furniture with an oil finish should also be treated yearly with a light coat of wood oil designed for eucalyptus or teak by applying it with a soft cloth. For finished furniture, we recommend brushing off any loose dirt or debris with a soft brush and wiping down with a mild detergent and water. We recommend you protect your furniture in the off season by using a using a good quality furniture cover. It helps keep your furniture clean and protects it from the elements thus minimizing annual maintenance.