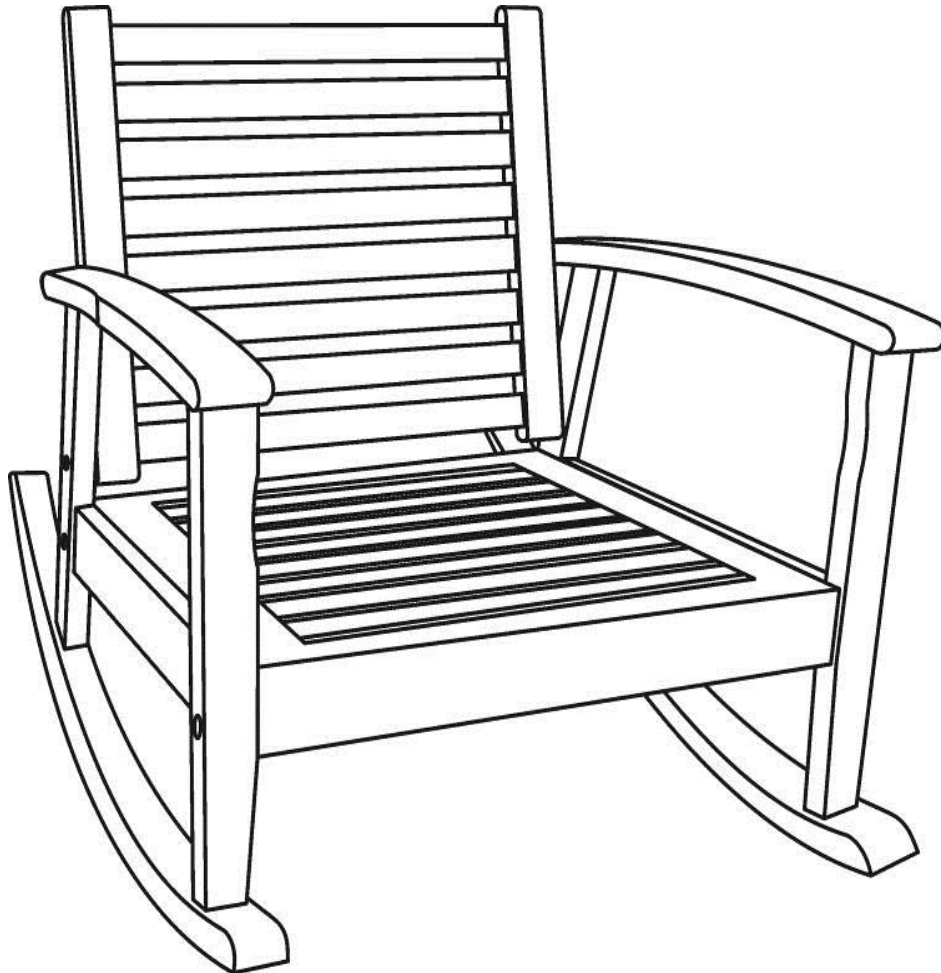




**OUTDOOR LIVING**



## Longs Peak Eucalyptus Rocker

Item No. OF-1005

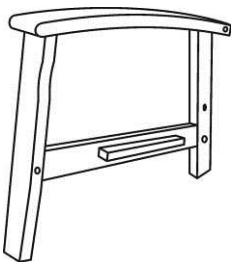
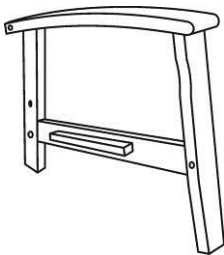
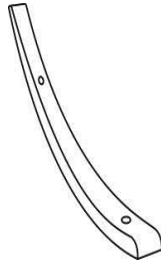
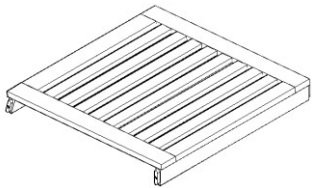
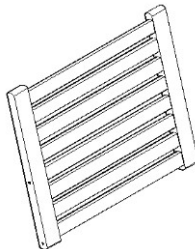
For assistance with assembly, please contact [DTYStore.com](http://DTYStore.com) Customer Satisfaction Center  
**866-217-8155 . [CS@DTYStore.com](mailto:CS@DTYStore.com)**

Made in Vietnam


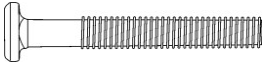
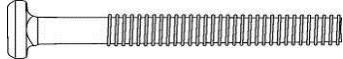
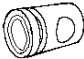



## Pre-Assembly Instructions

- Read all instructions carefully before assembly.
- Find a smooth clean area in which to work to avoid damaging your item.
- Check that all parts and hardware from the lists are present.
- Lay out parts in alphabetical order and hardware in numerical order to make them easier to find when you are ready to assemble
- Wait to dispose of packing material until assembly is complete to avoid accidentally disposing of small parts or hardware
- Tools required: Hex wrench (included) Phillips screwdriver (not included)
- Please use caution and care when lifting the product to avoid injury
- For ease of assembly two people are recommended

### Parts list:

<p>A. Right Leg Qty: 1</p> 	<p>B. Left Leg Qty: 1</p> 	<p>C. Rocker Qty: 2</p> 
<p>D. Seat Qty: 1</p> 	<p>E. Back Qty: 1</p> 	


### Hardware list:

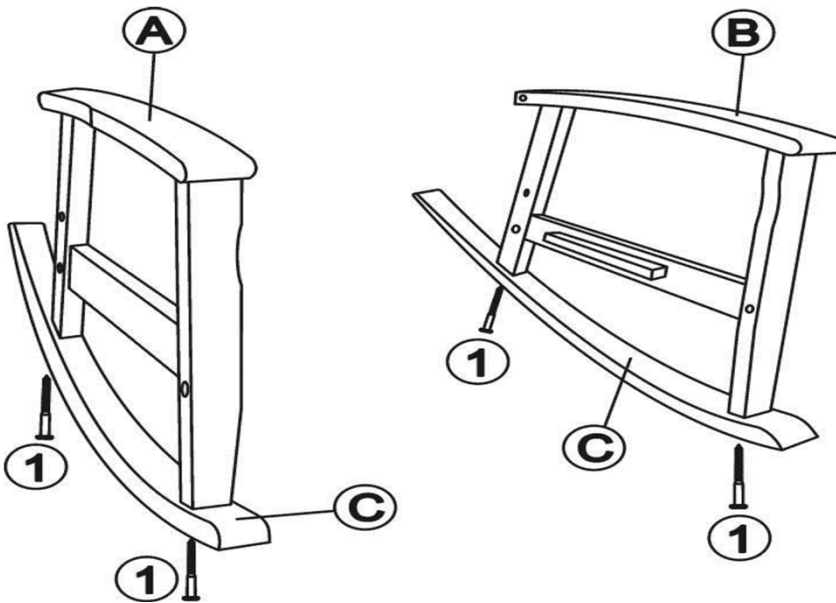
<p>1. Long Screw 70mm long Qty: 4</p> 	<p>2. Short Bolt 70mm long Qty: 2</p> 	<p>3. Long Bolt 90mm long Qty: 2</p> 	
<p>4. Nut Qty: 4</p> 	<p>5. Short Screw 60mm long Qty: 4</p> 	<p>6. 35mm long Screw Qty: 2</p> 	<p>7. Hex Wrench Qty: 2</p> 

**Step 1 :**




Use two Long Screws (1) to attach a Rocker (C) to the Right Side (A). Repeat with the Left Side (B)

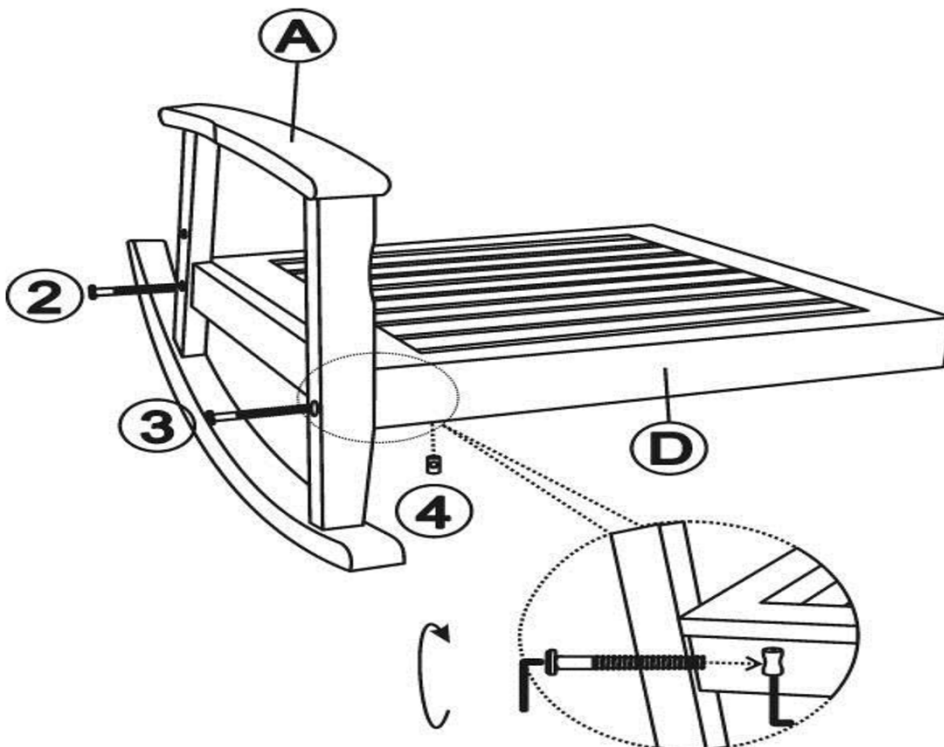
*Note:* Insert fasteners only half-way until all parts have been assembled

Item	Drawing	Qty
1		4






**Step 2:** Use the Short Bolt (2), Long Bolt (3), Nut (4) and Hex Wrench (7) to loosely attach the Seat (D) to Left Leg (A).

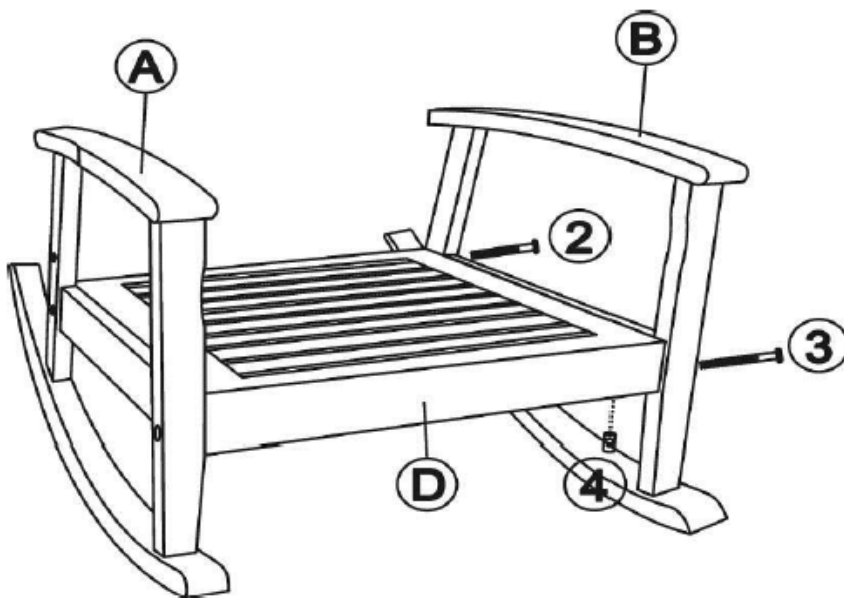
Item	Drawing	Qty
2		1
3		1
4		2




**Step 3:**

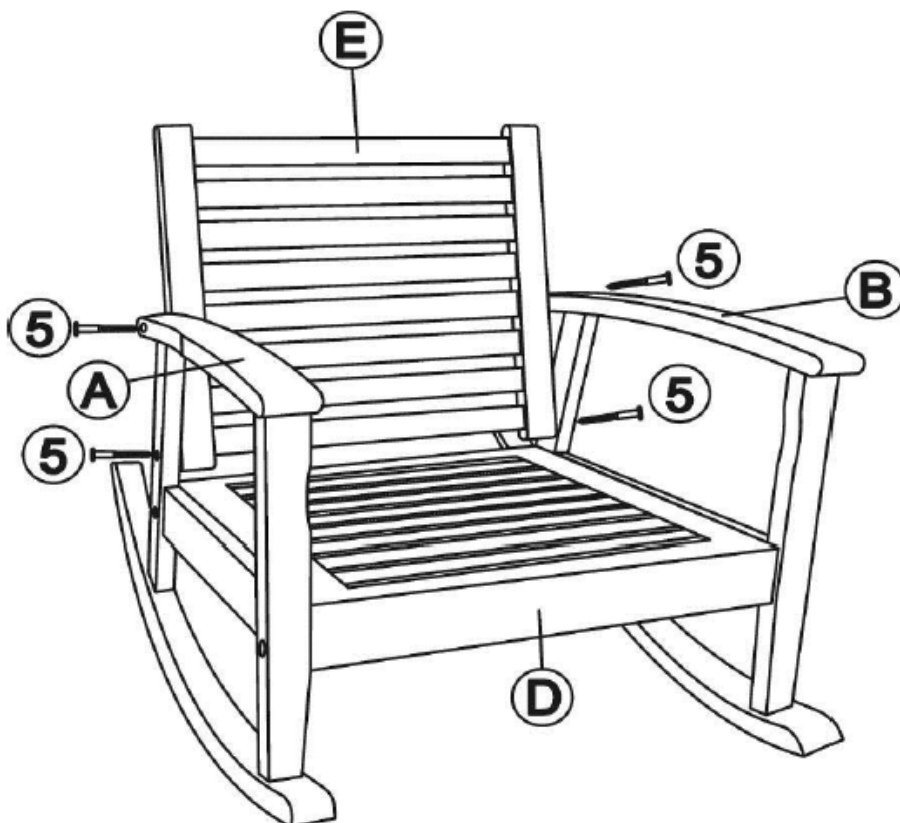
Use a Short Bolt (1), Long Bolt (2), Nut (3) and Hex Wrench (7) to loosely attach the Seat (D) to the Right Leg (B).

Item	Drawing	Qty
2		1
3		1
4		2

**Step 4:**


Use a 60mm long Screw (5) and Hex Wrench (7) to attach the Back (E) to the Right Leg (A) and the Left Leg (B).

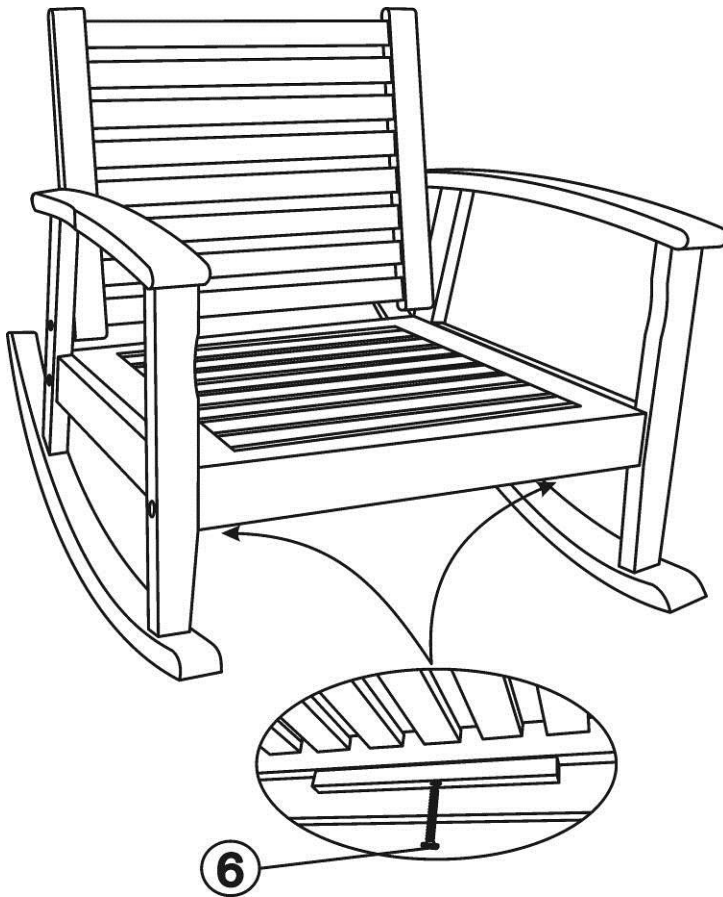
Item	Drawing	Qty
5		4



**Step 5:**

Use the 35mm long Screws (6) to secure the support rail on the Sides to the Seat. Use the Hex Wrench (7) to fully tighten all Bolts and Screws.

Item	Drawing	Qty
6		2

**Post-Assembly Instructions:**

- Periodically check fasteners to be sure they do not loosen over time.
- Do not stand on this item.

**Outdoor Furniture Care Instruction:**

With the proper care your premium eucalyptus furniture will last up to 25 years or more. For unfinished furniture, we suggest lightly sanding the surface of the furniture with 150 or 180 grit sandpaper once a year to remove any fuzziness and any larger splinter causing fibers that occur due to exposure to the elements. Be sure to sand lightly to retain the natural patina. Furniture with an oil finish should also be treated yearly with a light coat of wood oil designed for eucalyptus or teak by applying it with a soft cloth. For finished furniture, we recommend brushing off any loose dirt or debris with a soft brush and wiping down with a mild detergent and water. We recommend you protect your furniture in the off season by using a good quality furniture cover. It helps keep your furniture clean and protects it from the elements thus minimizing annual maintenance.