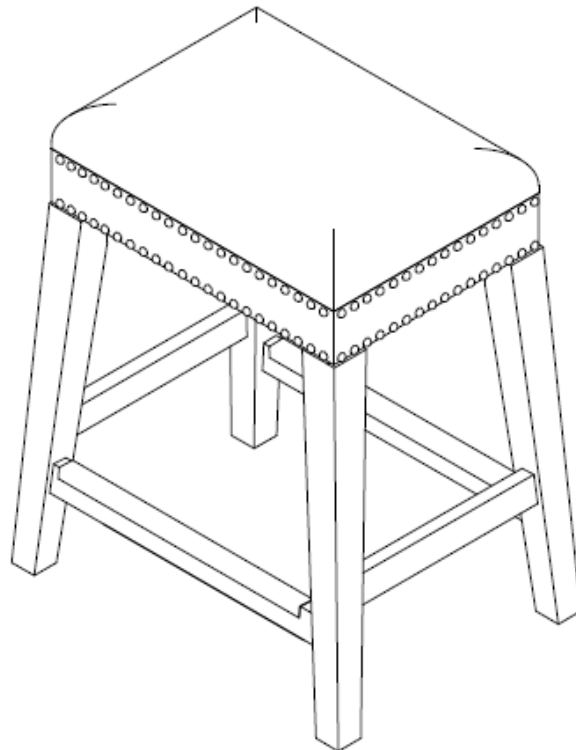




INDOOR LIVING



Grand Lake Stool

Item No. IF-1100

For assistance with assembly, please contact DTYStore.com Customer Satisfaction Center
866-217-8155 . CS@DTYStore.com

Made in Vietnam

Updated V. 10-2020

**Thank you for your
DTYStore Purchase!**

We want you to have the best experience possible.

If you have any issues with the assembly,
quality or performance of your product

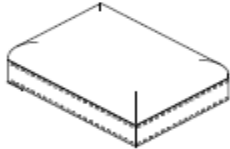
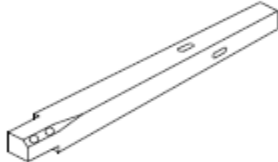
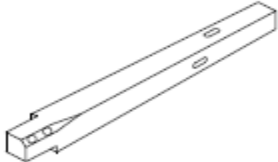
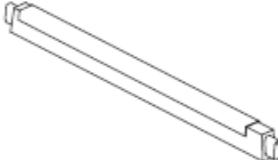
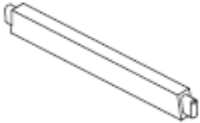
**PLEASE CONTACT OUR CUSTOMER CARE CENTER
BEFORE YOU RETURN IT.**

Email us at: CS@DTYStore.com

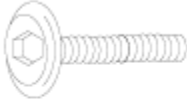




Pre-Assembly Instructions

- Read all instructions carefully before assembly.
- Find a smooth clean area in which to work to avoid damaging your item.
- Check that all parts and hardware from the lists are present.
- Lay out parts in order and hardware in order to make them easier to find when you are ready to assemble
- Wait to dispose of packing material until assembly is complete to avoid accidentally disposing of small parts or hardware
- Tools required: Hex wrench (included) Phillips Screwdriver (not included)
- Please use caution and care when lifting the product to avoid injury
- For ease of assembly two people are recommended

Parts List:

<p>A. Seat Qty: 1</p> 	<p>B. Right Leg Qty: 2</p> 	<p>C. Left Leg Qty: 2</p> 
<p>D. Long Stretchers Qty: 2</p> 	<p>E. Short Stretchers Qty: 2</p> 	

Hardware List:

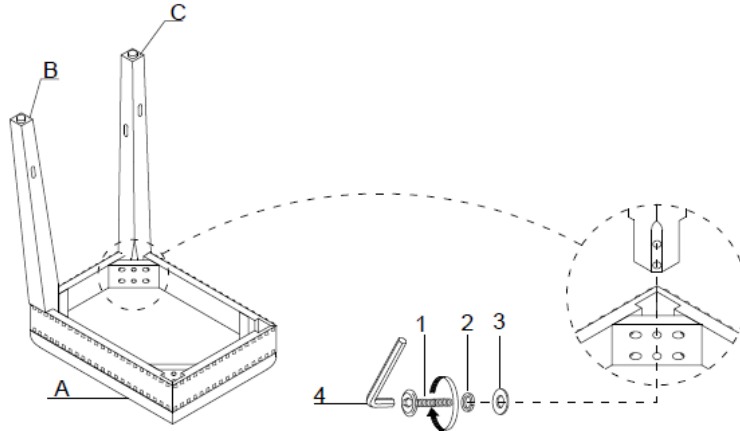
<p>1. Bolt $\varnothing 1/4"$ x 2-3/8"L Qty: 8</p> 	<p>2. Spring Washer Qty: 8</p> 	<p>3. Flat Washer Qty: 8</p> 
<p>4. Hex Wrench Qty: 1</p> 	<p>5. Screw 4 x 1-3/4"L Qty: 8</p> 	

Assembly Instructions:

Step 1

Wait to fully tighten all hardware until the end of Step 2.

- A. Place Seat (A) upside down on a soft surface. Use two Bolts (1), two Spring Washers (2), and two Flat Washers (3), to **loosely** attach each Leg (B) to Seat (1)
- B. Use two Bolts (1), two Spring Washers (2), and two Flat Washers (3), to **loosely** attach each Leg (C) to Seat (1)

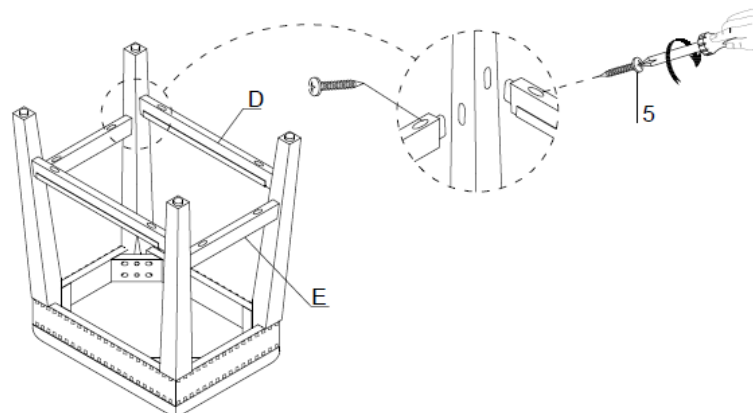


Step 2

Wait to fully tighten all hardware until the end of Step 2.

- A. Place Long Stretchers (C) in the slots on the legs on the long sides (the front and back) of the stool, be sure the screw slots are facing up and the metal foot plate is facing the bottom of the seat. Place Short Stretchers (D) in the slots on the short sides of the stool be sure the screw slots are facing up
- C. Tighten the bolts on all legs
- D. Use a Phillips screwdriver (not included) and two Screws (5), to attach each long and short stretcher between the legs (B)

TIP: Press both legs against the Stretcher bar, until you get the screws started. Make sure the stretcher bar is flush (no gaps) against the leg, this will also help with stabilization. Tighten the screws fully.



Post-Assembly Instructions:

- Periodically check hardware to be sure they do not loosen over time.
- Do not stand on stool or stretchers.

Furniture Care Tips

With proper care your furniture will look beautiful for years to come.

- Avoid placing in direct sunlight to keep from fading and discoloring.
- Do not use soap or abrasive cleaners
- Use a soft damp cloth to remove normal dust and dirt, then dry with a clean cloth until completely dry.
- Clean up spills as soon as they occur by blotting the food or liquid and then by wiping with a damp cloth
- A good quality leather cleaner and conditioner may be used periodically following their instructions.
- Wood furniture should be dusted frequently. Use a lamb's wool duster, microfiber cleaning cloth or cotton cleaning cloth.
- Dusting with a dry cloth can scratch your furniture so lightly spritz your duster with water, a spray duster or wood polish.
- Never spray polish directly on the furniture as it can cause furniture products to buildup.
- Dust in the direction of the grain

Polyester Upholstery Tips

- Avoid placing in direct sunlight to keep from fading and discoloring.
- Vacuum fabric regularly with an upholstery attachment using low suction.
- Use a soft damp cloth to remove normal dust and dirt
- Wipe up spills immediately, as stains are harder to remove once they are set.
- Most minor stains can be cleaned using 1 tablespoon of dishwashing liquid with 2 cups of cool water. Dab onto the stain with a clean, white cloth. Blot until the liquid is absorbed.
- Never use harsh cleaners.