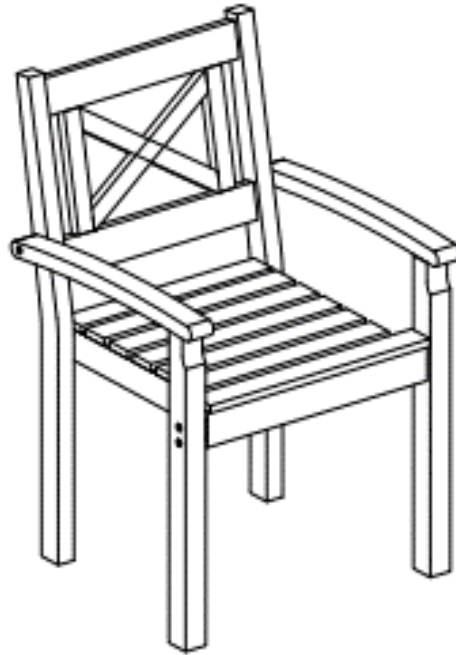




# OUTDOOR LIVING



## Castlewood Canyon Dining Chairs Item No. OF-2103

For assistance with assembly, please contact DTYStore.com Customer Satisfaction Center  
**866-217-8155 . CS@DTYStore.com**

Made in Vietnam

**Updated V. 2-2022**

**Thank you for your  
DTYStore Purchase!**

We want you to have the best experience possible.

If you have any issues with the assembly,  
quality or performance of your product

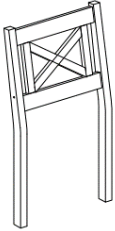
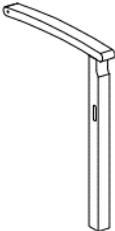
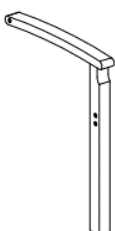
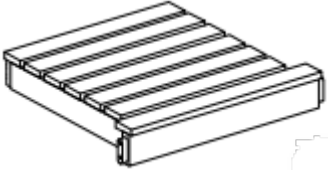
**PLEASE CONTACT OUR CUSTOMER CARE CENTER  
BEFORE YOU RETURN IT.**

Email us at: [CS@DTYStore.com](mailto:CS@DTYStore.com)

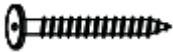
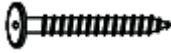



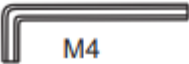
## Pre-Assembly Instructions

- Read all instructions carefully before assembly.
- Find a smooth clean area in which to work to avoid damaging your item.
- Check that all parts and hardware are present.
- Lay out parts and hardware in order to make them easier to find when you are ready to assemble
- Wait to dispose of packing material until assembly is complete to avoid accidentally disposing of small parts or hardware
- Tools required: Allen wrench, wrench (included)
- Please use caution and care when lifting the product to avoid injury
- For ease of assembly two people are recommended

### Parts List for Chairs:

<p>A. Back Qty: 2</p> 	<p>B. Right Arm Qty: 2</p> 	<p>C. Left Arm Qty: 2</p> 
<p>D. Seat Qty: 2</p> 		

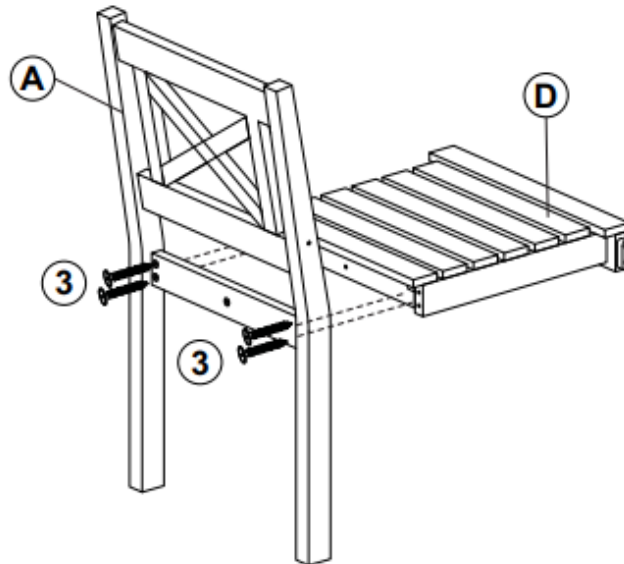
### Hardware List for Chairs:

<p>1. Long Screw Qty: 4</p>  <p>Size 6x80mm</p>	<p>2. Medium Screw Qty: 8</p>  <p>Size 6x70mm</p>	<p>3. Short Screw Qty: 8</p>  <p>Size 6x60mm</p>
<p>4. Bolt Qty: 2</p>  <p>Size 8x35mm</p>	<p>5. Barrel Nut Qty: 2</p>  <p>Size 8x35mm</p>	<p>6. Allen Wrench Qty: 2</p>  <p>Size 4mm</p>

## Assembly Instructions Chairs:

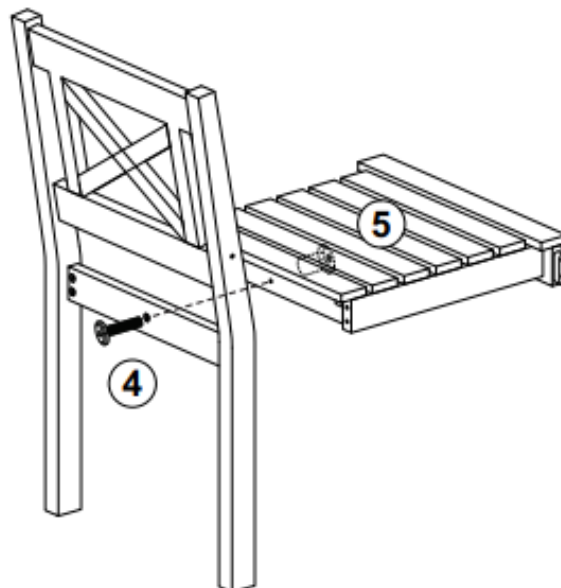
### Step 1:

Wait to fully tighten all hardware until the end of Step 3 Attach Back (A) to Seat (D) using four Short Screws (3)



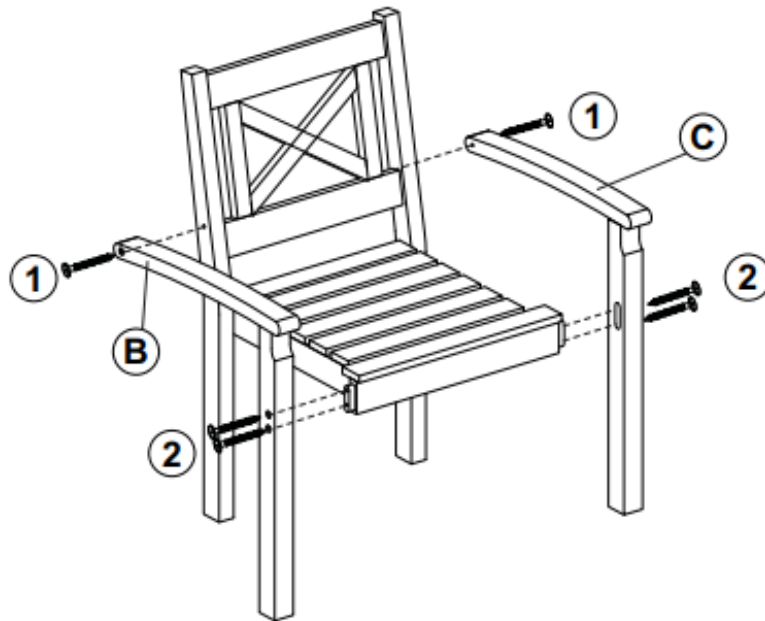
### Step 2:

Attach Back (A) to center of Seat (D) using Bolt (4) and Barrel Nut (5)



**Step 3:**

Attach Right Arm (B) to Seat (D) using two Medium Screws (2) Attach Right Arm (B) to Back (A) using Long Screw (1) Attach left Arm (C) to Seat (D) using two Medium Screws (2) Attach left Arm (C) to Back (A) using Long Screw (1) Fully tighten all hardware.

**Post-Assembly Instructions:**

- Periodically check hardware to be sure it does not loosen over time.
- Do not stand on this item.

**Outdoor Furniture Care Tips:**

With the proper care, your premium eucalyptus furniture can last up to 25 years or more. Our Silver gray finish is a painted finish. Like any investment care and maintenance play an important role in how well and how long your Eucalyptus furniture will last. There are several ways to care for your Eucalyptus furniture depending on the finish and the look that you want.

**Painted Outdoor Eucalyptus Furniture Care:**

To maintain the color and painted finish of your Eucalyptus furniture it is possible to preserve the look with a little care.

- Brush off any loose dirt or debris with a soft brush and wipe down with a mild detergent and water. Rinse well with clean water after washing.
- Do not use a power washer as it can damage the surface of your furniture causing it to splinter.
- Do not use steel wool or brass wool it is too abrasive and can leave a residue that will leave rust spots on your furniture.

- We recommend you protect your furniture in the offseason by using good quality furniture cover. It helps keep your furniture clean and protects it from the elements and minimizes annual maintenance.

### **Natural Weathered Eucalyptus Furniture Care:**

Exposed to the elements eucalyptus will acquire a silver-gray patina. To obtain the patina leave the furniture outdoors in the sunlight without treating it with a teak sealer or teak oil and it will begin to develop the silver-gray patina. During the weathering process, a slight lifting of the grain may occur, and you may even see a few cracks. This is not considered a defect, but a natural process of the wood expanding and contracting.

To care for Weathered Eucalyptus:

- Lightly sand the surface of the furniture with 150 or 180 grit sandpaper once a year to remove any fuzziness that occurs due to exposure to the elements. Be sure to sand lightly to retain the natural patina.
- Clean as needed with a soft bristle brush and mild soap and water. You may also clean it with a teak cleaner. Rinse well with clean water after washing.
- Do not use a power washer as it can damage the surface of your furniture causing it to splinter.
- Do not use steel wool or brass wool it is too abrasive and can leave a residue that will leave rust spots on your furniture.

We recommend you protect your furniture in the off season by using a using a good quality furniture cover. It helps keep your furniture clean and protects it from the elements thus minimizing annual maintenance.

We recommend you protect your furniture in the off season by using a using a good quality furniture cover. It helps keep your furniture clean and protects it from the elements thus minimizing annual maintenance.