



ePowerOn



MULTI-FAMILY LIGHTING

COMMERCIAL LIGHTING

ELECTRICAL BOXES

GFCI & USB

Q3 2023
CATALOG
Revision 4



ABOUT US

Welcome to ePowerOn, the leading innovators in LED lighting and smart controls. Based in North Carolina, we are dedicated to revolutionizing the world of lighting by seamlessly integrating smart technology and security surveillance into our cutting-edge products.

At ePowerOn, we take pride in our ability to create affordable, well-designed, and energy-efficient LED lighting solutions that cater to a wide range of needs. Our team of experts is committed to pushing the boundaries of what's possible, constantly striving to develop state-of-the-art products that enhance the way we illuminate our world.

We understand the importance of simplicity and convenience in the sales process. That's why we've designed our products to make it easy for our representatives and distributors to showcase and sell them, ensuring a seamless experience for all involved. Furthermore, our commitment to providing electricians with straightforward installation options guarantees hassle-free implementation, saving time and effort.

But it doesn't stop there. We believe in empowering end-users to live secure and energy-efficient lives. By integrating smart controls into our lighting systems, we offer unparalleled convenience, allowing users to effortlessly adjust lighting levels, monitor energy consumption, and even incorporate security surveillance features.

With ePowerOn, you can trust that you're partnering with a company at the forefront of lighting innovation. Join us as we illuminate the future, one LED bulb at a time.



CONTENT

MULTI-FAMILY LIGHTING

05	LED Double Ring Flush Mount
06	LED Double Ring Flush Mount EM
07	LED Oval Double Ring Flush Mount
08	LED Slim Surface Panel
09	LED Water Proof Flush Mount With Night Light
10	LED Disk Light
11	Slim LED Recessed Light with Junction Box
12	LED Retrofit Downlight with Smooth Reflector
13	LED Retrofit Downlight with Beveled Reflector
14	LED Linear Vanity
15	LED Unit Entry Light
16	LED Lamp Vanity Light
17	LED Lamp Pendant Light
18	LED Wall Cylinder
19	LED Lamp Patio Light
20	LED Vapor Light
21	LED Strip Light
22	LED Wrap Light
23	LED Exit Light
24	LED Full Cut-Off Wall Pack
25	LED Wall Pack
26	LED Canopy Light
27-28	LED UFO High Bay
29	LED Area Light
30	LED Linear High Bay
31	LED Post Top Light



CONTENT

LED LAMP

32 LED LAMP

PLASTIC ELECTRIC BOX

33-51 PLASTIC BOX

52 BOX EXTENDER

BMC FIBERGLASS BOX

53 BMC FIBERGLASS BOX

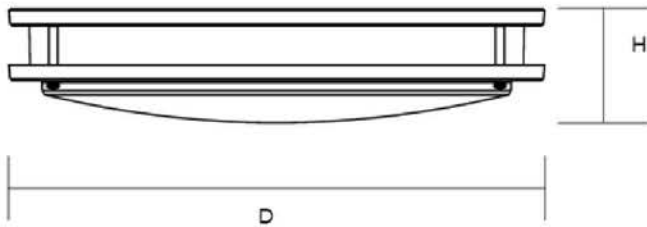
GFCI RECEPTACLE

55-56 DUAL USB RECEPTACLE

57-59 GFCI RECEPTACLE



LED DOUBLE RING FLUSH MOUNT



MODEL	W	H
EPDR00210700	12"	2.48"
EPDR00310700	14"	2.91"
EPDR00410700	16"	3.35"



FEATURES

Wattage | Lumens 12" : 16 W | 1200 LM
 14" : 22 W | 1700 LM
 16" : 26 W | 2000 LM

Dimming TRIAC

Voltage 120 V

CCT 2700/3000/3500/4000/5000K
 CCT Selectable

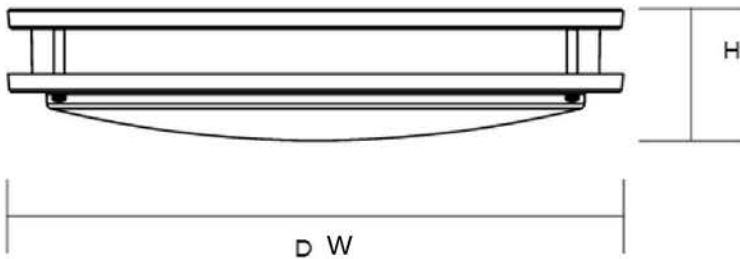
Finish Brushed Nickel

CERTIFICATION





LED DOUBLE RING FLUSH MOUNT EM



MODEL	W	H
EPDR00210700-E	12"	3.94"
EPDR00310700-E	14"	4.33"
EPDR00410700-E	16"	4.72"

Factory Installed:



MOTION SENSOR



BATTERY BACK-UP

2700K 3000K 3500K 4000K 5000K
SELECTABLE CCT

FEATURES

Wattage | Lumens 12" : 16 W | 1200 LM
 14" : 22 W | 1700 LM
 16" : 26 W | 2000 LM

Dimming 0-10 V

Voltage 120 - 277V

CCT 2700/3000/3500/4000/5000 K
 CCT Selectable

Finish Brushed Nickel

Emergency Backup 90 MIN

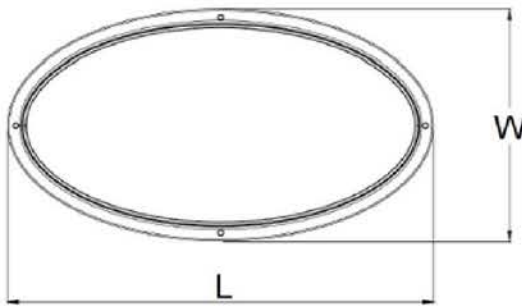
Motion Sensor PIR OPTIONAL

CERTIFICATION





LED OVAL DOUBLE RING FLUSH MOUNT



MODEL	L	W	H
EPDR00110700	32"	18"	4.72"



FEATURES

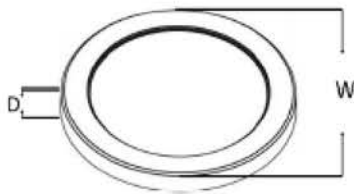
Wattage Lumens	30 W 2400 LM
Dimming	TRAIC
Voltage	120 V
CCT	2700/3000/3500/4000/5000 K CCT Selectable
Finish	Brushed Nickel

CERTIFICATION





LED SLIM SURFACE PANEL



MODEL	W	D
EPO1FM00700100 EPO1FM00700500	5.92"	0.71"
EPO1FM00700200 EPO1FM00700600	7.28"	0.71"
EPO1FM00700300 EPO1FM00700700	8.86"	0.71"
EPO1FM00700400 EPO1FM00700800	11.80"	0.71"

3000K 4000K 5000K
SELECTABLE CCT
OR
2700K 3000K 4000K
SELECTABLE CCT*

FEATURES

Wattage	10/15/18/24 W
Dimming	TRIAC
Voltage	120 V
CCT	3000/4000/5000 K CCT Selectable or 2700/3000/4000 K CCT Selectable*
Finish	White
Lumens	740/1200/1470/2050 LM

CERTIFICATION



EPO1FM00700100 EPO1FM00700200 EPO1FM00700300 EPO1FM00700400 are 3000/4000/5000 K CCT Selectable
*EPO1FM00700500 EPO1FM00700600 EPO1FM00700700 EPO1FM00700800 are 2700/3000/4000 K CCT Selectable



LED WATER PROOF FLUSH MOUNT WITH NIGHT LIGHT



MODEL	W	H
EPDR00500100	8"	3.94"
EPDR00600100	12"	4.33"
EPDR00700100	16"	4.72"



FEATURES

Wattage	12 W
Dimming	TRIAC
Voltage	120 V
CCT	2700/3000/3500/4000/5000 K CCT Selectable
Finish	White
Lumens	960/1300/1600 LM

CERTIFICATION



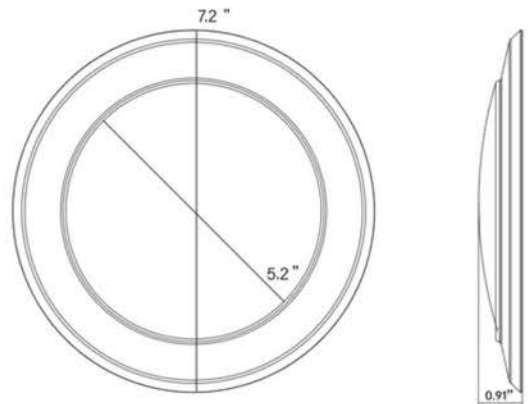


LED DISK LIGHT



MODEL	D	CCT
EPDL00300101	4"	2700K
EPDL00300201	4"	3000K
EPDL00300301	4"	4000K
EPDL00300401	4"	5000K
EPDL00310701	4"	3 CCT SELECT
EPDL00400101	6"	2700K
EPDL00400201	6"	3000K
EPDL00400301	6"	4000K
EPDL00400401	6"	5000K
EPDL00410701	6"	3 CCT SELECT

3000K 4000K 5000K
SELECTABLE CCT



FEATURES

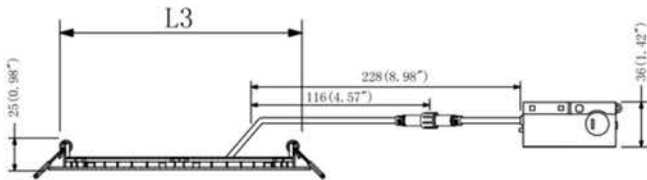
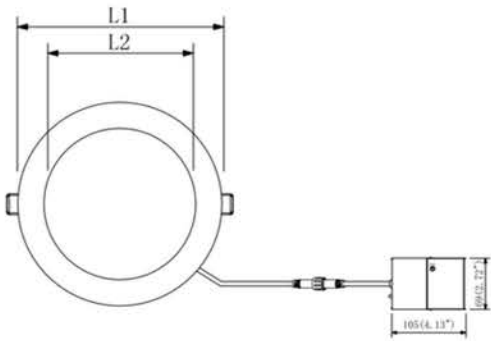
Wattage	10 / 15 W
Dimming	TRIAC
Voltage	120 V
Finish	White
Lumens	700 / 1100 LM
Installation	Surface Mount

CERTIFICATION





SLIM LED RECESSED LIGHT WITH JUNCTION BOX



MODEL	D
EPRD00100201	4"
EPRD00200301	6"

FEATURES

Wattage	12 W
Dimming	TRIAC
Voltage	120 V
CCT	3000/4000/5000K 3 CCT SELECTABLE
Finish	White
Lumens	900/1100 LM
Installation	Recessed Can



CERTIFICATION

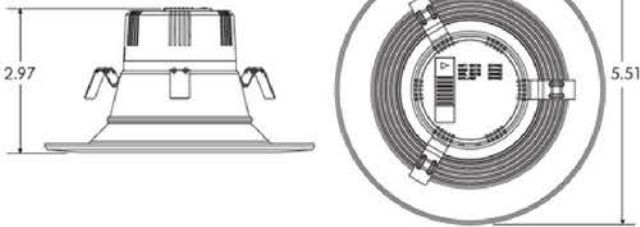




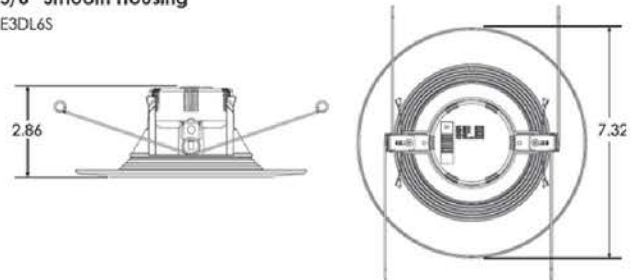
LED RETROFIT DOWNLIGHT WITH SMOOTH REFLECTOR



Dimensions
4" Smooth Housing
E3DL4S



Dimensions
5/6" Smooth Housing
E3DL6S



MODEL	D	MOUNT
E3DL4S	4"	Recess with clips
E3DL6S	5/6"	Recess with torsion springs



FEATURES

Wattage	12/15 W
Dimming	TRIAC
Voltage	120 V
CCT	2700/3000/3500/4000/5000K SELECTABLE CCT
Finish	White
Lumens	900/1200 LM
Installation	Recessed Can

CERTIFICATION



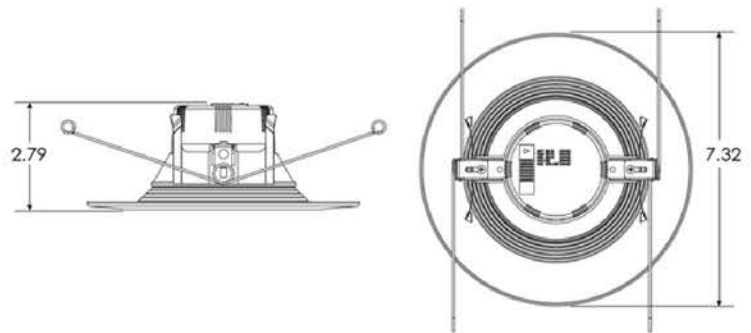
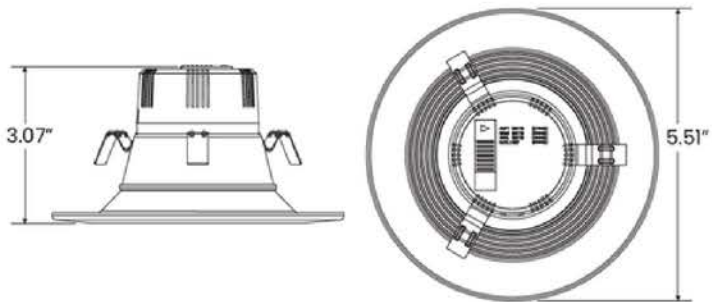


LED RETROFIT DOWNLIGHT WITH BEVELED REFLECTOR



Dimensions
4" Beveled Housing
E3DL4B

6" Beveled Housing
E3DL6B



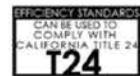
MODEL	D	MOUNT
E3DL4B	4"	Recess with clips
E3DL6B	5/6"	Recess with torsion springs

2700K 3000K 3500K 4000K 5000K
SELECTABLE CCT

FEATURES

Wattage	12/15 W
Dimming	TRIAC
Voltage	120 V
CCT	2700/3000/3500/4000/5000K SELECTABLE CCT
Finish	White
Lumens	900/1200 LM
Installation	Recessed Can

CERTIFICATION

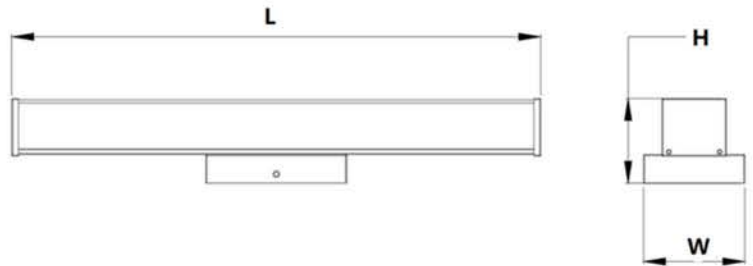




LED LINEAR VANITY



MODEL	L	H	W
EPVL08100101	18"	3.92"	4.49"
EPVL08200101	24"	3.92"	4.49"
EPVL08300101	36"	3.92"	4.49"
EPVL08400101	48"	3.92"	4.49"



FEATURES

Wattage	12/16/20/24W
Dimming	TRIAC
Voltage	120 V
CCT	3000 K
Finish	Brushed Nickel
Lumens	960/1300/1600/1950 LM

CERTIFICATION

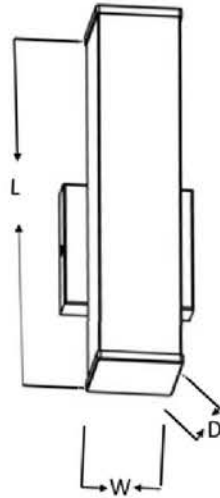




LED UNIT ENTRY



MODEL	D	W	L
EPUE01100101	3.92"	4.49"	18"



FEATURES

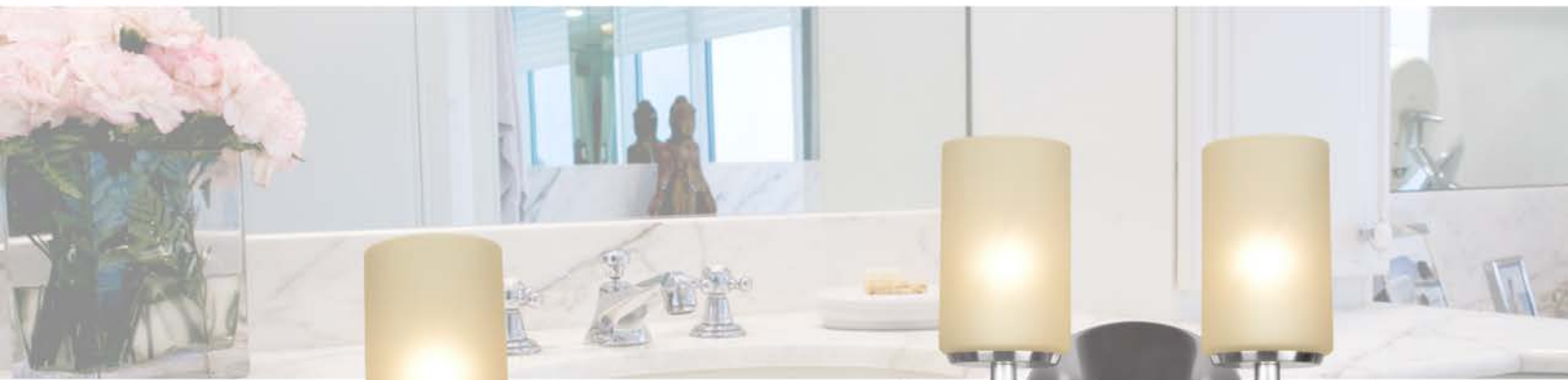
Wattage	16W
Voltage	120 V
CCT	3000 K
Finish	Brushed Nickel
Lumens	1400 LM

CERTIFICATION





LED LAMP VANITY LIGHT



MODEL	LENGTH	HEADS
MG01VL00400100	7"	1
MG01VL00400200	14"	2
MG01VL00400300	22"	3
MG01VL00400400	36"	4

FEATURES

Wattage	Max 60 W per Head
Finish	Brushed Nickel
Material	Metal + Glass
Base	E26 Medium Base

CERTIFICATION





LED LAMP PENDANT LIGHT



MODEL	H1	H2	D1	D2
MG01PL00200100	43.21"	6.3"	4"	3.94"

FEATURES

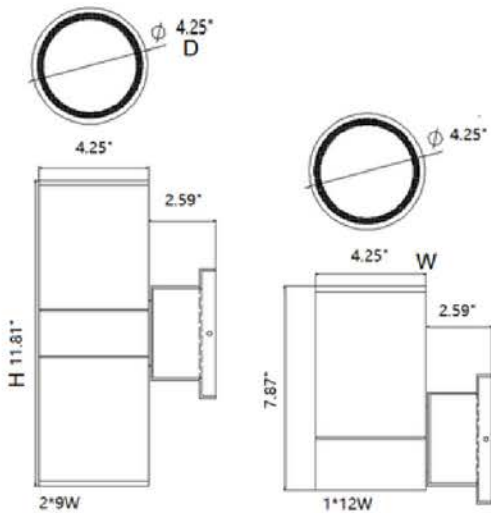
Wattage	MAX 60 W
Material	Metal + Glass
Finish	Brushed Nickel
Base	E26 Medium Base

CERTIFICATION





LED WALL CYLINDER



MODEL	DIAMETER	WIDTH	HEIGHT
MG02WC00100100	4.25"	6.84"	7.87"
MG02WC00100200	4.25"	6.84"	11.8"

FEATURES

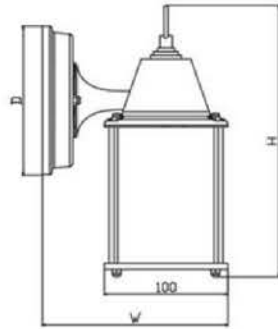
Wattage	12/2*9 W
Dimming	NO
Voltage	120 V
CCT	3000 K
Finish	Dark Gray
Lumens	1300/2000 LM

CERTIFICATION





LED LAMP PATIO LIGHT



MODEL	D	W	H	L
MG02PT00100100	4.7"	5.9"	8.6"	3.9"

FEATURES

Wattage MAX 60 W per Socket

Material Metal + Glass

Finish Dark Bronze

Base E26

Installation Wall Mount

CERTIFICATION





LED VAPOR LIGHT

ZY-STP8132



FEATURES

Wattage	16/20/24 W
Voltage	100-277 V
CCT	3500/4000/5000K SELECTABLE
Finish	WHITE/FROSTED COVER
Size	126.8*16.5*11.5
Lumens	3240/4725/6240 LM
Dimming	0-10V
Emergency Battery Backup*	90 MIN

Factory Installed:

3500K 4000K 5000K
SELECTABLE CCT

CERTIFICATION

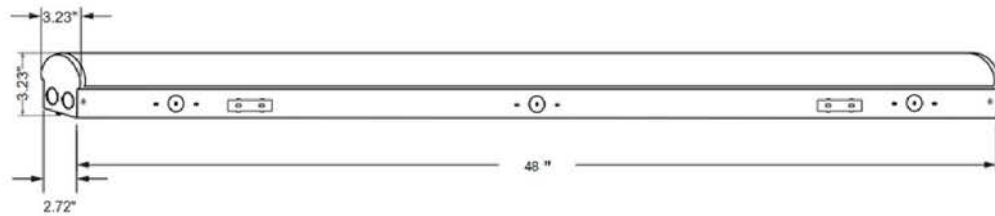


*ZY-STP8132-E



LED STRIP LIGHT

DM-ST4FT



FEATURES

Wattage	24/32/40 W Selectable
Dimming	0-10 V
Voltage	120-277 V
CCT	3500/4000/5000 K Selectable
Finish	White
Lumens	3120/4164/5200 LM
Emergency Battery Back-up	Optional
Motion Sensor	Optional

Factory Installed:

3500K 4000K 5000K
 ▲ ▲ ▲
 SELECTABLE CCT

CERTIFICATION



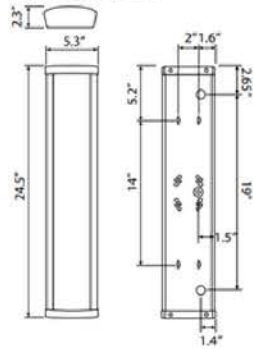


LED WRAP LIGHT

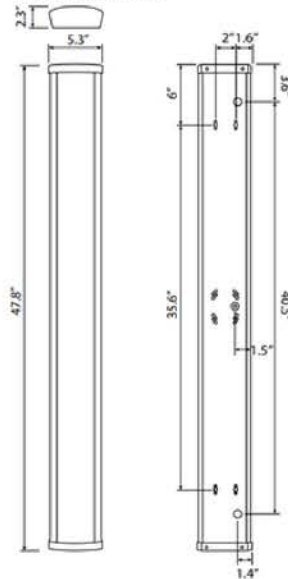
E3WR



2-FT Length Profile



4-FT Length Profile



FEATURES

Wattage	20/40 W
Dimming	0-10 V
Voltage	120-277 V
CCT	3000/4000/5000 K
Finish	White
Lumens	2ft: 2300 LM - E3WR20D2 4ft: 4600 LM - E3WR40D4

Factory Installed:

3000K 4000K 5000K

SELECTABLE CCT

CERTIFICATION





LED EXIT SIGN AND EMERGENCY LIGHT



DM-EM119

- LED DOUBLE HEAD EXIT SIGN COMBO.
- SINGLE/DOUBLE SIDED. RED LETTERING.
- EMERGENCY BATTERY BACKUP.
- UNIVERSAL DIRECTIONAL CHEVRON KNOCKOUT



DM-EM114

- SINGLE/DOUBLE SIDED. RED LETTERING.
- EMERGENCY BATTERY BACKUP.
- UNIVERSAL DIRECTIONAL CHEVRON KNOCKOUT



DM-EM110

- LED DOUBLE HEAD EMERGENCY LIGHT.
- EMERGENCY BATTERY BACKUP.

CERTIFICATION





LED FULL CUT-OFF WALL PACK

MWP15



ORDERING GUIDE

Example: MWP15 40W 27V 50K Y Y Y Y Y

Fixture Type	Wattage	Voltage	CCT	Finish	Photocell (Option)	Emergency Battery (Option)	CCT and Power Adjustable	Internal Code
<input type="text"/>	<input type="text"/>	<input type="text"/>	<input type="text"/>	<input type="text"/>	<input type="text"/>	<input type="text"/>	<input type="text"/>	<input type="text"/>
MWP15 Wall Pack Series	27 27W 40 40W 65 65W	27V 120/277V	DDK' Adjustable color temperature	D Dark Bronze B Black W White	P0 120-277V Photocell Blank Without Photocell	B Emergency Battery Blank Without Emergency Battery	AD With Adjustment Dial Blank Without Adjustment Dial	Blank Alphanumeric

Note: 1. CCT adjustable(3000K/4000K/5000K).

FEATURES

Wattage	From 27 W to 65 W
Emergency Backup	Optional
Voltage	120-277V
CCT	3000/4000/5000K Selectable
Finish	Dark Bronze
Lumens	Up to 9500 LM
Photocell	Optional

CERTIFICATION





LED WALL PACK

MWP04



ORDERING GUIDE

Example: MWP04 45W 27V 50K YYYYYYY

Fixture Type	Wattage	Voltage	CCT	Finish	Dimming	Diffuser (Option)	Photocell (Option)	Sensor (Option)	Emergency Battery (Option)	Internal Code
<input type="checkbox"/>	<input type="checkbox"/>	<input type="checkbox"/>	<input type="checkbox"/>	<input type="checkbox"/>	<input type="checkbox"/>	<input type="checkbox"/>	<input type="checkbox"/>	<input type="checkbox"/>	<input type="checkbox"/>	<input type="checkbox"/>
MWP04 Wall Pack Series	27 27W 45 45W 62 62W 90 90W 115 115W	27V 120-277V 48V 347-480V	30K 3000K 40K 4000K 50K 5000K DDK Adjustable color temperature	D Dark Bronze B Black W White	D DIM Blank NO DIM	C Plastic Diffuser G Glass Diffuser	P0 With Photocell Blank Without Photocell	M With Sensor Blank Without Sensor	B Emergency Battery Blank Without Emergency Battery	Blank Alphanumeric

- Note: 1. Only 27W, 45W, 62W have Emergency battery option, and emergency battery only suitable for 120-277V voltage.
 2. 27W is limited to 120-277V input only.
 3. 90W,115W are limited to dimming only.
 4. Only 45W, 62W, 90W have DDK(Adjustable color temperature) option.

FEATURES

Wattage	27/45/62/90/115 W
Dimming	Optional 1-10V Dimming
Voltage	120-277V/347-480 V
CCT	4000/5000 K
Finish	Dark Bronze
Lumens	3450/5600/7800/11000/14500 LM
EM Backup	Optional
Photocell	Optional

CERTIFICATION





LED CANOPY LIGHT

MCP05



ORDERING GUIDE

Example: MCP0540W27V40KDMDBU

Fixture Type	Wattage	Input Voltage	CCT	Finish	Sensor (Option)	Dimmable(Option)	Emergency Battery (Option)	Internal Code
<input type="text"/>	<input type="text"/>	<input type="text"/>	<input type="text"/>	<input type="text"/>	<input type="text"/>	<input type="text"/>	<input type="text"/>	<input type="text"/>
MCP05 MCP Series	20 20W 27 27W 40 40W 60 60W	27V 120-277V 48V 347-480V	40K 4000K 50K 5000K	D Dark Bronze B Black W White SG Silver Gray	M With Sensor Blank Without Sensor	D 1-10V Dimmable Blank NO Dimmable	B With Battery Blank Without Battery	Blank Alphanumeric

- Note:
1. 20W and 27W are limited to 120-277V input only.
 2. 20W only for NO Dimmable.
 3. Only the DIM has emergency battery options.

FEATURES

Wattage From 27 W to 60W

Dimming 1-10 V

Voltage 120-277 V

CCT 5000 K

Finish Dark Bronze/Clear Lens

Lumens 3800/5450/8000 LM

EM Backup Optional

Motion Sensor Optional

CERTIFICATION





LED UFO HIGH BAY

MHB05



ORDERING GUIDE									Example: MHB05250W27V50KD
Fixture Type	Wattage	Voltage	CCT	Finish	Sensor (Option)	Adjustment Dial (Option)	Surge Protection (Option)	Internal Code	
MHB05 High Bay	200 200W	27V 120-277V	40K 4000K	D Dark Bronze	M	AD	S	Blank Alphanumeric	
	300 300W	48V 347-480V	50K 5000K	B Black	With Sensor	With Adjustment Dial	Surge protection		
	250 250W			W White	Blank	Blank	(Blank)		
	340 340W				Without Sensor	Without Adjustment Dial	No Surge protection		

- Note: 1. 200W and 300W are obtained by 250W and 340W using adjustment dial.
 2. 200W or 300W is recommended when the ambient temperature is -40°C to 65°C(-40°F to 149°F).
 3. 250W or 340W is recommended when the ambient temperature is -40°C to 55°C(-40°F to 131°F).

FEATURES

Wattage	250/340 W
Dimming	1-10 V
Voltage	120-277V/347-480 V
CCT	4000/5000 K
Finish	Dark Bronze
Lumens	40100/55500 LM
Operating Temperature	250/340W: -40°F to 131°F
Motion Sensor	Optional

CERTIFICATION





LED UFO HIGH BAY

UL



ORDERING GUIDE

Example: UL-H150W-AS-40-B-M-B

Fixture Type	Wattage	Efficacy	CCT	Finish	Motion Sensor (Option)	Emergency Battery (Option)		
UL-H UL H Series	150W 200W 240W	A 190 Lumens/W	50 5000K	B Black W White	S Motion Sensor Blank Without Motion Sensor	B Emergency Battery Blank Without Emergency Battery		

FEATURES

Wattage	150/200/240 W
Dimming	1-10 V
Voltage	120-277 V
CCT	5000 K
Finish	Black or White
Lumens	28500/38000/45600 LM
Operating Temperature	-40°F to 122°F
EM Backup	Optional
Motion Sensor	Optional

CERTIFICATION





LED AREA LIGHT

MAL05



Example: MAL05 150W 27V XXK Y Y Y Y Y

Fixture Type	Wattage	Voltage	CCT	Finish	Photocell (Option)	Sensor (Option)	Mounting	Photometry
<input type="checkbox"/>	<input type="checkbox"/>	<input type="checkbox"/>	<input type="checkbox"/>	<input type="checkbox"/>	<input type="checkbox"/>	<input type="checkbox"/>	<input type="checkbox"/>	<input type="checkbox"/>
MAL05 Area Light Series	150 150W	27V 120-277V	40K 4000K	D Dark Bronze	P0 120-277V Photocell	M With Sensor	SQ Square Pole Mount	T3 TYPE III Photometry
	180 180W	48V 347-480V	50K 5000K	B Black	P3 347V Photocell	Blank Without Sensor	SP Slipfitter Mount	T4 TYPE IV Photometry
	250 250W			W White	P4 480V Photocell		WM Wall Mount	T5 TYPE V Photometry
	300 300W			SG Silver Gray	Blank Without Photocell		YK Yoke Mount	

FEATURES

Wattage	150/180/250/300 W
Dimming	1-10 V
Voltage	120-277V/347-480V
CCT	4000K/5000 K
Light Distribution	Type III, IV, V
Finish	Dark Bronze
Lumens	21000/26000/36000/42000 LM
Mounts	Fixed/Adjustable Arm for Square and Round Pole, Slipfitter, Wall Mount

CERTIFICATION





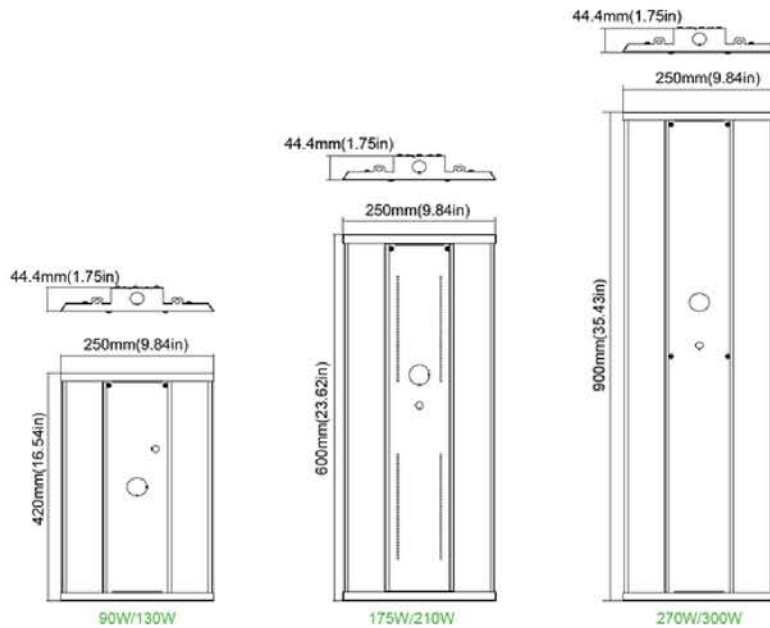
LED LINEAR HIGH BAY

MLH06



DIMENSION

unit: inch/mm



Weight:

- 90W: 4.63lb
- 130W: 4.63lb
- 175W: 5.67lb
- 210W: 5.80lb
- 270W/300W: 9.02lb

FEATURES

Wattage	90/130/175/210/270/300W
Dimming	1-10 V
Voltage	120-277 V 347-480 V
CCT	4000/5000 K
Finish	White
Lumens	12700/18600/25000/30600/37000/41500 LM

CERTIFICATION



APPLICATIONS



PARKING GARAGE



COMMERCIAL & MANUFACTURING



GYM



WAREHOUSE



LED POST TOP LIGHT

TP350



ORDERING GUIDE

Example: YR-TP350-W30

Fixture Type	Wattage	Voltage	CCT	Finish	Photocell (Option)			
YR-TP350	W30 30W W60 60W W120 120W	Blank 120-277V	DDK ¹ Adjustable color temperature	D Dark Bronze B Black (Default) W White	P0 120-277V Photocell Blank Without Photocell			

Note: 1. CCT adjustable(3000K/4000K/5000K).

FEATURES

Wattage	60/120 W
Dimming	1-10 V
Voltage	120-277 347-480 V
CCT	3000/4000/5000 K Selectable
Finish	Black
Lumens	3610/7200/14400 LM



CERTIFICATION





LED LAMPS



A19

FEATURES:

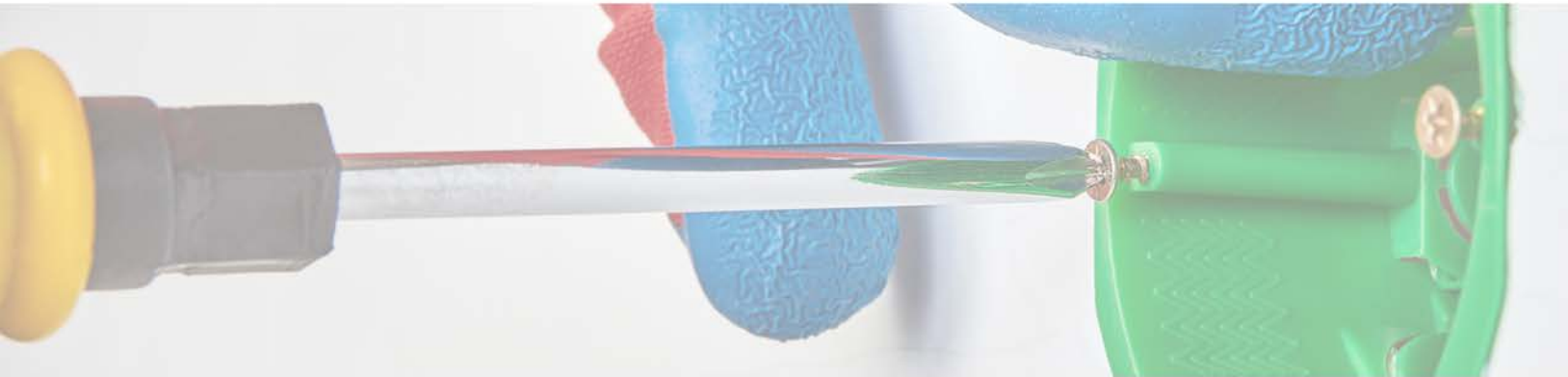
Wattage	9.5W
Voltage	120 V
CCT	2700K
Lumens	750 LM
Base	E26
Dimming	Non-Dimming



Plastic Electric Box



One-Gang



Part No.	APB118N-R
Cubic Capacity	18 cu in With Four Knockouts
Description	Red special for fire fighting equipment.
Size (LxWxD)	3-3/4"x2-1/4"x2-7/8"

Part No.	APB120N-R
Cubic Capacity	20.3 cu in Four Knockouts
Description	Red special for fire fighting equipment.
Size (LxWxD)	3-3/4"x2-1/4"x3-1/4"



Part No.	APB123N-R
Cubic Capacity	22.5 cu in Four Knockouts
Description	Red special for fire fighting equipment.
Size (LxWxD)	3-3/4"x2-1/4"x3-1/2"

CERTIFICATION





One-Gang



Part No.	APB01N
Cubic Capacity	18 cu in Four Integral Clamps
Description	Switch/Outlet Box; New Work; 1 Gang; Captive Nail And Bracket Mounting; For Use With Non-Metallic Sheathed Cable.
Size (LxWxD)	3-3/4"x2-1/4"x2-7/8"

Part No.	APB123N
Cubic Capacity	23 cu in Four Knockouts
Description	Deep Switch/Outlet Box; New Work; 1 Gang; Captive Nail And Bracket Mounting; For Use With Non-Metallic Sheathed Cable.
Size (LxWxD)	3-3/4"x2-1/4"x3-1/2"



Part No.	APB118N
Cubic Capacity	18 cu in With Four Knockouts
Description	Deep Switch/Outlet Box; New Work; 1 Gang; Captive Nail And Bracket Mounting; For Use With Non-Metallic Sheathed Cable.
Size (LxWxD)	3-3/4"x2-1/4"x2-7/8"



Part No.	APB120N
Cubic Capacity	20 cu in Four Knockouts
Description	Deep Switch/Outlet Box; New Work; 1 Gang; Captive Nail And Bracket Mounting; For Use With Non-Metallic Sheathed Cable.
Size (LxWxD)	3-3/4"x2-1/4"x3-1/4"

CERTIFICATION





One/Two-Gang



Part No.	APB108B
Cubic Capacity	8 cu in Two Knockouts
Description	New Work; 1-Gang, 8 cu. in, Shallow, Nail-on, Switch and Outlet Box with Bracket.
Size (LxWxD)	3-5/8"x2-3/8"x1-1/4"



Part No.	APB02N
Cubic Capacity	32 cu in Six Integral Clamps
Description	Switch/Outlet Box; New Work; 2 Gang; Captive Nail And Bracket Mounting; For Use With Non-Metallic Sheathed Cable.
Size (LxWxD)	4"x3-3/4"x3"



Part No.	APB118B
Cubic Capacity	18 cu in Four Knockouts
Description	New Work; 1 Gang 18 cu in Bracket Flange for wood & steel stud mounting.
Size (LxWxD)	3-3/4"x2-1/4"x2-15/16"



Part No.	APB232-B
Cubic Capacity	32 cu in Six Integral Clamps
Description	New Work; 2 Gang 32 cu in Bracket Flange for wood & steel stud mounting.
Size (LxWxD)	4"x3.75"x3"

CERTIFICATION





Three-Gang/Four-Gang/4" Square



Part No.	APB03N
Cubic Capacity	44 cu in Ten Integral Clamps
Description	Switch/Outlet Box; New Work; 3 Gang; Captive Nail And Bracket Mounting; For Use With Non-Metallic Sheathed Cable.
Size (LxWxD)	5-7/8"x3-3/4"x2-3/4"

Part No.	APB04N
Cubic Capacity	55 cu in Fourteen Integral Clamps
Description	Switch/Outlet Box; New Work; 4 Gang; Captive Nail And Bracket Mounting; For Use With Non-Metallic Sheathed Cable.
Size (LxWxD)	7-7/10"x3-3/4"x2-3/4"



Part No.	APB418A
Cubic Capacity	18 cu in Eight Integral Clamps
Description	4" square, PVC box for residential or light commercial new construction (new work) electrical installations with a molded flange and enhanced angled nails for mounting.
Size (LxWxD)	4"x4"x1-5/8"



Part No.	APB432A
Cubic Capacity	32 cu in Ten Integral Clamps
Description	4" square, PVC box for residential or light commercial new construction (new work) electrical installations with enhanced angled nails for mounting.
Size (LxWxD)	4"x4"x2-5/8"

CERTIFICATION





Round Box



Part No.	APBR18-3	2 HOUR FIRE RATING
Cubic Capacity	18 cu in Six Integral Clamps	
Description	Round Ceiling/Fixture Box; New Work; Captive Nail And Bracket Mounting; For Use With Non-Metallic Sheathed Cable.	
Size (LxWxD)	3"x3"x2.75"	

Part No.	APBRG18-3	2 HOUR FIRE RATING
Cubic Capacity	18 cu in Six Integral Clamps	
Description	Round Ceiling/Fixture Box with Grounding; New Work; Captive Nail And Bracket Mounting; For Use With Non-Metallic Sheathed Cable.	
Size (LxWxD)	3"x3"x2.75"	



Part No.	APB05N	2 HOUR FIRE RATING
Cubic Capacity	20 cu in Six Integral Clamps	
Description	Round Ceiling/Fixture Box; New Work; Captive Nail And Bracket Mounting; For Use With Non-Metallic Sheathed Cable.	
Size (LxWxD)	4 Diax2-1/4"	

Part No.	APB05GN	2 HOUR FIRE RATING
Cubic Capacity	20 cu in Grounding Six Integral Clamps	
Description	Round Ceiling/Fixture Box with Grounding; New Work; Captive Nail And Bracket Mounting; For Use With Non-Metallic Sheathed Cable.	
Size (LxWxD)	4 Diax2-1/4"	

CERTIFICATION





Ceiling Box



Part No.	PANCAK
Cubic Capacity	8 cu in
Description	Shallow Ceiling Fan Outlet Box with mounting screws; The box is rated for a 35 Lb. fan and a 50 Lb. light fixture.
Size (LxWxD)	4 Diax1"



Part No.	CFB-2
Cubic Capacity	12 cu in Six Integral Clamps
Description	Non-metallic Saddle Type Ceiling Fan/fixture Box with V-clamps For Non-metallic Sheathed Cable; Lag Screws (supplied).
Size (LxWxD)	4 Diax2-3/8"



Part No.	CFB-1
Cubic Capacity	13.4 cu in 4"x1 / 2"x4" Two Knockouts
Description	Fits any ceiling fan up to 70 lbs.or lighting fixture up to 150 lbs. Electrical box measures 4 in.high by 1/2 in.deep;13.4 cu in.capacity
Size (LxWxD)	4"x1 / 2"x4"

CERTIFICATION





Round Box/Ceiling Box



Part No.	APB525A
Cubic Capacity	25 cu in Six Integral Clamps
Description	Round Ceiling/Fixture Box; New Work; Captive Nail And Bracket Mounting; For Use With Non-Metallic Sheathed Cable.
Size (LxWxD)	4 Diax2-1/4"

Part No.	APB525AG
Cubic Capacity	25 cu in Six Integral Clamps
Description	Round Ceiling/Fixture Box with Grounding; New Work; Captive Nail And Bracket Mounting; For Use With Non-Metallic Sheathed Cable.
Size (LxWxD)	4 Diax2-1/4"



Part No.	APB620L
Cubic Capacity	20 cu in Six Integral Clamps
Description	Round Ceiling/Fixture Box; New Work; Metal L Bracket Mounting; For Use With Non-Metallic Sheathed Cable.
Size (LxWxD)	4 Diax2-1/4"

Part No.	APB525BST
Cubic Capacity	20 cu in Six Knockouts
Description	New Work; Octagon Ceiling Box with an L-Bracket For Ceiling Fixture Applications. The 6 knockouts provide multiple wiring options.
Size (LxWxD)	4 Diax2-1/4"

CERTIFICATION





Bar Hanger



Part No.	APB06N
Cubic Capacity	20 cu in Six Integral Clamps
Description	Round Ceiling/Fixture Box With 14.25"-22.5" Bar Hanger; Captive Nail And Bracket Mounting; For Use With Non-Metallic Sheathed Cable.
Size (LxWxD)	4 Diax2-1/4"



Part No.	APB06NL
Cubic Capacity	20 cu in Six Integral Clamps
Description	Round Ceiling/Fixture Box With 16"-24" Bar Hanger; Captive Nail And Bracket Mounting; For Use With Non-Metallic Sheathed Cable.
Size (LxWxD)	4 Diax2-1/4"



Part No.	APB06NGL
Cubic Capacity	20 cu in Six Integral Clamps
Description	Round Ceiling/Fixture Box With 16"-24" Bar Hanger with Grounding; Captive Nail And Bracket Mounting; For Use With Non-Metallic Sheathed Cable.
Size (LxWxD)	4 Diax2-1/4"

CERTIFICATION



• STANDARD COLOR IS GRAY



One/Two/Three-Gang



2 HOUR
FIRE RATING

Part No.	APB121-ADJ
Cubic Capacity	21 cu in With Four Knockouts
Description	Deep Switch/Outlet Box; 1 Gang; Adjustable Steel Stud Bracket & Wire Clamps; For Use With Non-Metallic Sheathed Cable.
Size (LxWxD)	3-3/4"x2-1/4"x3-3/10"



2 HOUR
FIRE RATING

Part No.	APB234-ADJ
Cubic Capacity	34 cu in With Six Integral Clamps
Description	Deep Switch/Outlet Box; 2 Gang; Adjustable Steel Stud Bracket & Wire Clamps; For Use With Non-Metallic Sheathed Cable.
Size (LxWxD)	4.05"x3.65"x3"



2 HOUR
FIRE RATING

Part No.	APB349-ADJ
Cubic Capacity	49 cu in With Ten Integral Clamps
Description	Deep Switch/Outlet Box; 3 Gang; Adjustable Steel Stud Bracket & Wire Clamps; For Use With Non-Metallic Sheathed Cable.
Size (LxWxD)	5.9"x3.6"x3"

CERTIFICATION





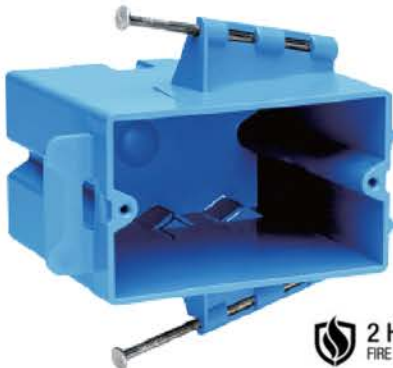
One-Gang



Part No.	APB123SB
Cubic Capacity	20.3 cu in Four Integral Clamps
Description	Deep Switch/Outlet Box; 1 Gang; Steel Stud Bracket & Wire Clamps; For Use With Non-Metallic Sheathed Cable.
Size (LxWxD)	3-3/4"x2-1/4"x3-1/10"



Part No.	APB121-ADJ-E
Cubic Capacity	21 cu in With Four Knockouts
Description	Deep Switch/Outlet Box; 1 Gang; Adjustable Steel Stud Bracket & Wire Clamps; For Use With Non-Metallic Sheathed Cable.
Size (LxWxD)	2.3"x3.7"x3.3"



Part No.	APB1SF1GN
Cubic Capacity	22 cu in Four V-clamps
Description	New Work; 1-Gang; Captive Nail Mounting; Switch & Outlet Box; Horizontal.
Size (LxWxD)	3-3/4"x2-1/4"x3-4/5"

CERTIFICATION





One/Two/Three/Four-Gang



Part No.	APB01DN
Cubic Capacity	23 cu in Four Integral Clamps
Description	Deep Switch/Outlet Box; New Work; 1 Gang; Captive Nail And Bracket Mounting; For Use With Non-Metallic Sheathed Cable.
Size (LxWxD)	3-3/4"x2-1/4"x3-1/2"

Part No.	APB02DN
Cubic Capacity	44 cu in Six Integral Clamps
Description	Deep Switch/Outlet Box; New Work; 2 Gang; Captive Nail And Bracket Mounting; For Use With Non-Metallic Sheathed Cable.
Size (LxWxD)	4"x3-3/4"x4"



Part No.	APB03DN
Cubic Capacity	68 cu in Ten Integral Clamps
Description	Deep Switch/Outlet Box; New Work; 3 Gang; Captive Nail And Bracket Mounting; For Use With Non-Metallic Sheathed Cable.
Size (LxWxD)	5-7/8"x3-3/4"x4"

Part No.	APB04DN
Cubic Capacity	87 cu in Fourteen Integral Clamps
Description	Deep Switch/Outlet Box; New Work; 4 Gang; Captive Nail And Bracket Mounting; For Use With Non-Metallic Sheathed Cable.
Size (LxWxD)	7-7/10"x3-3/4"x4"

CERTIFICATION





One/Two/Three-Gang



Part No.	APB010
Cubic Capacity	14 cu in Four Integral Clamps
Description	Switch/Outlet Box; Old Work; 1 Gang; Swing Clamp And Ears Mounting; For Use With Non-Metallic Sheathed Cable; Suitable For Masonry Walls.
Size (LxWxD)	4-3/10"x2-1/4"x2-3/4"

Part No.	APB010-20
Cubic Capacity	20 cu in Four Integral Clamps
Description	Deep Switch/Outlet Box; Old Work; 1 Gang; Swing Clamp And Ears Mounting; For Use With Non-Metallic Sheathed Cable; Suitable For Masonry Walls.
Size (LxWxD)	4-3/10"x2-1/4"x3-1/4"



Part No.	APB020
Cubic Capacity	25 cu in Six Integral Clamps
Description	Switch/Outlet Box; Old Work; 2 Gang; Swing Clamp And Ears Mounting; For Use With Non-Metallic Sheathed Cable; Suitable For Masonry Walls.
Size (LxWxD)	4"x3-3/4"x2-3/4"



Part No.	APB030
Cubic Capacity	38 cu in Ten Integral Clamps
Description	Switch/Outlet Box; Old Work; 3 Gang; Swing Clamp And Ears Mounting; For Use With Non-Metallic Sheathed Cable; Suitable For Masonry Walls.
Size (LxWxD)	5-7/10"x3-3/4"x2-3/4"

CERTIFICATION





Three-Gang/Four-Gang/Round



Part No.	APB030D
Cubic Capacity	55 cu in Ten Integral Clamps
Description	Switch/Outlet Box; Old Work; 3 Gang; Swing Clamp And Ears Mounting; For Use With Non-Metallic Sheathed Cable; Suitable For Masonry Walls.
Size (LxWxD)	5-7/10"x3-3/4"x2-3/4"



Part No.	APB040
Cubic Capacity	69.8 cu in Fourteen Integral Clamps
Description	Switch/Outlet Box; Old Work; 4 Gang; Swing Clamp And Ears Mounting; For Use With Non-Metallic Sheathed Cable; Suitable For Masonry Walls.
Size (LxWxD)	7-7/10"x3-3/4"x3-1/2"



Part No.	APB050
Cubic Capacity	18 cu in Six Integral Clamps
Description	Round Ceiling/Fixture Box; Old Work; Captive Nail And Bracket Mounting; For Use With Non-Metallic Sheathed Cable.
Size (LxWxD)	4-1/4"xDiax2-1/2"



Part No.	APB050G
Cubic Capacity	18 cu in Six Integral Clamps With Grounding
Description	Round Ceiling/Fixture Box Grounding; Old Work; Captive Nail And Bracket Mounting; For Use With Non-Metallic Sheathed Cable.
Size (LxWxD)	4-1/4"xDiax2-1/2"

CERTIFICATION





One-Gang/Two-Gang



Part No.	APB108-OW
Cubic Capacity	8 cu in Two Knockouts
Description	Old Work 1Gang 8 cu in Shallow Box
Size (LxWxD)	2.4"x3.65"x1.25"

Part No.	APB117-OW
Cubic Capacity	17 cu in Four Knockouts
Description	Old Work 1 Gang 17 cu in Shallow Box with side compartment
Size (LxWxD)	2"x4"x2"



Part No.	APB18-4DV
Cubic Capacity	18 cu in
Description	Old Work; Integral molded Vclamp; Thermoplastic molded ears #4 swing brackets.
Size (LxWxD)	3-25/32"x2-7/32"x2-1/4"



Part No.	APB1GOWE
Cubic Capacity	-
Description	1-Gang, Old Work Switch & Outlet Box Extender. It can be used with most standard 1-gang nonmetallic electrical switch and outlet boxes.
Size (LxWxD)	3.28"x2.19"x1.26"

CERTIFICATION





One-Gang/Two-Gang



Part No.	APB121ADJLV
Cubic Capacity	21 cu in
Description	Low-voltage Adjustable brackets.
Size (LxWxD)	3.56"x3.88"x1.69"

Part No.	APB234ADJLV
Cubic Capacity	34 cu in
Description	Low-voltage Adjustable brackets.
Size (LxWxD)	3.56"x5.63"x1.69"



Part No.	APB1GOW
Cubic Capacity	-
Description	Old Work; 1-Gang; Low voltage bracket used for low voltage installations in renovation (old work) applications.
Size (LxWxD)	4.32"x2.52"x1.66"

Part No.	APB2GOW
Cubic Capacity	-
Description	Old Work; 2-Gang; Low voltage bracket used for low voltage installations in renovation (old work) applications.
Size (LxWxD)	4.28"x4.28"x1.66"

CERTIFICATION





One/Two/Three-Gang



Part No.	APB1GN
Cubic Capacity	-
Description	New work, 1 Gang; low voltage bracket with nails used for low voltage installations for new construction projects (new work) applications.
Size (LxWxD)	3.73"x2.32"x3.15"



Part No.	APB2GN
Cubic Capacity	-
Description	New work, 2 Gang; low voltage bracket with nails used for low voltage installations for new construction projects (new work) applications.
Size (LxWxD)	3.77"x4.07"x3.15"



Part No.	APB3GN
Cubic Capacity	44 cu in
Description	New work, 3 Gang; low voltage bracket with nails used for low voltage installations for new construction projects (new work) applications.
Size (LxWxD)	3.69"x5.81"x1.50"

CERTIFICATION





One-Gang/Two-Gang



Part No.	Cubic Capacity	Description	Size (LxWxD)
PSC410	3.5 cu in		4"x4"x0.500"
PSC411	4.2 cu in	1-Gang Electrical Switch and Outlet	4"x4"x0.625"
PSC412	5.0 cu in	Box Cover Risers.The risers feature	4"x4"x0.750"
PSC413	6.6 cu in	4 notches for easy installation of	4"x4"x1.000"
PSC414	8.1 cu in	screws to secure the riser.	4"x4"x1.250"



Part No.	Cubic Capacity	Description	Size (LxWxD)
PSC420	6.1 cu in	2-Gang Electrical Switch and Outlet	4"x4"x0.500"
PSC421	7.4 cu in	Box Cover Risers.The risers feature	4"x4"x0.625"
PSC422	8.8 cu in	4 notches for easy installation of	4"x4"x0.850"
		screws to secure the riser.	



Part No.	Cubic Capacity	Description	Size (LxWxD)
PSC400	-	2-Gang 4" Square Switch and Outlet	4"x4"x0.1"
		Box Cover.	

CERTIFICATION





4" Round Box



Part No.	Cubic Capacity	Description	Size (LxWxD)
PRC410	4.0 cu in	Round plaster rings (also called a mud rings) provide riser or extensions for any 4 inch ceiling boxes or ENT ceiling box.	4"x4"x0.500"
PRC411	20.375 cu in		4"x4"x0.625"



Part No.	Cubic Capacity	Description	Size (LxWxD)
PRC4KO	-	4" round box cover with a knockout. It is ideal for covering 4" ceiling boxes or ENT ceiling boxes that are not in use, and the knockout provides easy access without having to remove the cover.	4"x4"x0.1"



Part No.	Cubic Capacity	Description	Size (LxWxD)
PRC400	-	4" round box cover that is ideal for covering 4" ceiling boxes or ENT ceiling boxes that are not in use	4"x4"x0.1"



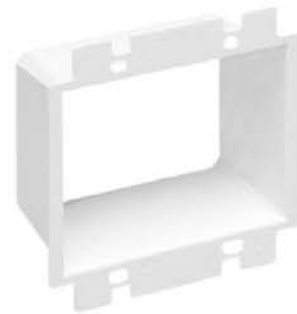
Part No.	Cubic Capacity	Description	Size (LxWxD)
STACO90-069	-	Round blank cover. Ceiling box cover.	-

CERTIFICATION



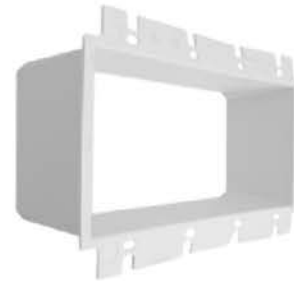


One/Two/Three/Four-Gang & Round



Part No.	EXR-01
Description	Single gang electrical outlet box extender
Size (LxWxD)	2.43"x4.28"x1.85"

Part No.	EXR-02
Description	Two gang electrical outlet box extender
Size (LxWxD)	4.32"x4.28"x1.85"



Part No.	EXR-03
Description	Three gang electrical outlet box extender
Size (LxWxD)	6.13"x4.28"x1.85"

Part No.	EXR-04
Description	Four gang electrical outlet box extender
Size (LxWxD)	7.80"x4.28"x1.85"



Part No.	EXR-05
Description	Ceiling box extender/Set back ceilings
Size (LxWxD)	4.92"x4.92"x1.50"



CERTIFICATION





Fiberglass Box



MODEL	CUBIC CAPACITY	DESCRIPTION	PRODUCT SIZE (LxWxD)	STD. CTN. QTY.
FG01N	22.5 cu in	1-Gang Off-White Fiberglass New Work Deep Switch/Outlet Interior Electrical Box.	2-1/4"x3-27/32"x3-9/16"	60
FG02N	37 cu in	2-Gang Off-White Fiberglass New Work Deep Switch/Outlet Interior Electrical Box.	4"x3-3/4"x3-7/16"	60
FG02N	56.5 cu in	3-Gang Off-White Fiberglass New Work Deep Switch/Outlet Interior Electrical Box.	5-11/16"x3-3/4"x3-9/16"	30
FG04N	75 cu in	4-Gang Off-White Fiberglass New Work Deep Switch/Outlet Interior Electrical Box.	7-1/2"x3-3/4"x3-9/16"	30



FG05N



FG06N



MODEL	CUBIC CAPACITY	DESCRIPTION	PRODUCT SIZE (LxWxD)	STD. CTN. QTY.
FG05N	22.5 cu in	Round Fiberglass Ceiling Fixture Outlet Box.	4 Diax2-7/16"	60
FG06N	22.5 cu in	Round Fiberglass Ceiling Fixture Outlet Box with 16"- 24" Adjustable Bar Hanger.	4 Diax2-7/16"	50

FEATURES AND BENEFITS

- Knockouts on fiberglass boxes are complete, reducing drafts and easily removed with wire for no tools installation
- Device holes are pre-tapped and tapered for secure device installation and drastically reduce device pull out
- Mounted with angled mid nails
- Offset gauge marks on the box give positive stop for the proper wall thickness
- Leveling ribs position the face of the box parallel to the wall surface
- High Strength Fiberglass Reinforced Polyester Material
- Non-distorting in high heat, impact resistant in cold temps
- Machine tapped device holes for faster installation
- ETL Listed and carries a 2-hour fire rating

CERTIFICATION





GFCI RECEPTACLE



15 AMP DUAL USB RECEPTACLE

BAA-015 (TAMPER RESISTANT)



DESCRIPTION

- Smart System: Built-in smart chip recognizes the individual device's charging requirement to optimize the charge.
- Safety: Fireproof housing and high-quality components for long service life.
- Unique 2 USB Ports: Type A and Type C USB Ports, Charges two USB devices without adapters.
- Tamper resistant(TR):TR design increases the electrical safety level by preventing the attempting to insert objects in to the outlet or open the plate.



COMMON TECHNICAL DATA

Size	105*43*45mm
Color	Cover: White (Customizable) Base: Black (Customizable)
Enclosure	PC
Terminal	Copper Alloy Acid Pickling
Mounting Yoke	Zinc Plated Steel
Weight	111g
Standards	UL 498&CSA C22.2 No. 42-10
Receptacle Rating	15A/125Vac/60hZ
USB Rating	5 VDC/4.8A
Dielectric Voltage	1.25KV/1min
Flame Class	UL-94 V2
Wire	12-14 AWG

CERTIFICATION





15 AMP DUAL USB RECEPTACLE

BAA-023 (TAMPER RESISTANT)



DESCRIPTION

- Smart System: Built-in smart chip recognizes the individual device's charging requirement to optimize the charge.
- Safety: Fireproof housing and high-quality components for long service life.
- Unique 2 USB Ports: Charges two USB devices without adapters.
- Tamper resistant(TR):TR design increases the electrical safety level by preventing the attempting to insert objects in to the outlet or open the plate.



COMMON TECHNICAL DATA

Size	105*43*45mm
Color	Cover: White (Customizable) Base: Black (Customizable)
Enclosure	PC
Terminal	Copper Alloy Acid Pickling
Mounting Yoke	Zinc Plated Steel
Weight	111g
Standards	UL 498&CSA C22.2 No. 42-10
Receptacle Rating	15A/125Vac/60hZ
USB Rating	5 VDC/4.8A
Dielectric Voltage	1.25KV/1min
Flame Class	UL-94 V2
Wire	12-14 AWG

CERTIFICATION





15 AMP GFCI RECEPTACLE

YGB-094WR (WEATHER RESISTANT, TAMPER RESISTANT)



DESCRIPTION

- Constructed with premium high-impact resistant thermoplastic materials and rational structure design, ensures superior strength and durability.
- Two Indicator Light provides simple, intuitive feedback on power and protection status. If the indicator (LED) glows green, you have installed the GFCI receptacle correctly and it is working properly. The GFCI outlet automatically conducts a Self-Test (the red light will blink once) every 40 seconds to ensure the GFCI is continually working. When the GFCI receptacle reaches the end of its' life the red indicator will turn on, it reminds you to replace the outlet in time.
- Weather Resistant - enhanced corrosion resistant components to withstand more moist or humid location.
- Tamper resistant(TR) -- TR design increases the electrical safety level by preventing the attempting to insert objects in to the outlet or open the plate.
- Provides continuous ground fault protection -- detects and trips on actual ground fault even when self-test is being conducted.



COMMON TECHNICAL DATA

Size	105*42.8*40.7mm
Color	Cover: White (Customizable) Base: Black (Customizable)
Enclosure	PC
Terminal	Copper Alloy Acid Pickling
Mounting Yoke	Zinc Plated Steel
Weight	123g
Standards	UL498/UL943/CSA C22.2 No.144.1
Receptacle Rating	15A/125Vac
Dielectric Voltage	1500V (AC)
Mechanical Life	6000 times
Flame Class	UL-94 V2
Trip Threshold	5mA
Trip Time	<25mS
Insertion Force	1<178N
Release Force	<67N
Retention Force	>13N
Wires	12-14AWG

CERTIFICATION





15 AMP GFCI RECEPTACLE

YGB-094 (TAMPER RESISTANT)



DESCRIPTION

- Constructed with premium high-impact resistant thermoplastic materials and rational structure design, ensures superior strength and durability.
- Two Indicator Light provides simple, intuitive feedback on power and protection status. If the indicator (LED) glows green, you have installed the GFCI receptacle correctly and it is working properly. The GFCI outlet automatically conducts a Self-Test (the red light will blink once) every 40 seconds to ensure the GFCI is continually working. When the GFCI receptacle reaches the end of its' life the red indicator will turn on, it reminds you to replace the outlet in time.
- Weather Resistant - enhanced corrosion resistant components to withstand more moist or humid location.
- Tamper resistant(TR) -- TR design increases the electrical safety level by preventing the attempting to insert objects in to the outlet or open the plate.
- Provides continuous ground fault protection -- detects and trips on actual ground fault even when self-test is being conducted.

COMMON TECHNICAL DATA

Size	105*42.8*40.7mm
Color	Cover: White (Customizable) Base: Black (Customizable)
Enclosure	PC
Terminal	Copper Alloy Acid Pickling
Mounting Yoke	Zinc Plated Steel
Weight	123g
Standards	UL498/UL943/CSA C22.2 No.144.1
Receptacle Rating	15A/125Vac
Dielectric Voltage	1500V (AC)
Mechanical Life	6000 times
Flame Class	UL-94 V2
Trip Threshold	5mA
Trip Time	<25mS
Insertion Force	1<178N
Release Force	<67N
Retention Force	>13N
Wires	12-14AWG



CERTIFICATION





20 AMP GFCI RECEPTACLE

YGB-095WR (WEATHER RESISTANT, TAMPER RESISTANT)



DESCRIPTION

- Constructed with premium high-impact resistant thermoplastic materials and rational structure design, ensures superior strength and durability.
- Two Indicator Light provides simple, intuitive feedback on power and protection status. If the indicator (LED) glows green, you have installed the GFCI receptacle correctly and it is working properly. The GFCI outlet automatically conducts a Self-Test (the red light will blink once) every 40 seconds to ensure the GFCI is continually working. When the GFCI receptacle reaches the end of its' life the red indicator will turn on, it reminds you to replace the outlet in time.
- Weather Resistant - enhanced corrosion resistant components to withstand more moist or humid location.
- Tamper resistant(TR) -- TR design increases the electrical safety level by preventing the attempting to insert objects in to the outlet or open the plate.
- Provides continuous ground fault protection -- detects and trips on actual ground fault even when self-test is being conducted.

COMMON TECHNICAL DATA

Size	105*42.8*40.7mm
Color	Cover: White (Customizable) Base: Black (Customizable)
Enclosure	PC
Terminal	Copper Alloy Acid Pickling
Mounting Yoke	Zinc Plated Steel
Weight	123g
Standards	UL498/UL943/CSA C22.2 No.144.1
Receptacle Rating	20A/125Vac
Dielectric Voltage	1500V (AC)
Mechanical Life	6000 times
Flame Class	UL-94 V2
Trip Threshold	5mA
Trip Time	<25mS
Insertion Force	<178N
Release Force	<67N
Retention Force	>13N
Wires	12-14AWG



CERTIFICATION

