

PW01+PW01-C



Freestanding Woodfired Pizza Oven

With Pizza Paddle, Copper Brush & UV Resistant Weather-Proof Cover



Features and Benefits:

Warranty	2 Years
High Grade Stainless Steel	Offers resistance to weather and rust.
Black Orange Peel Finish (On Exterior Of Oven Cavity)	Provides a durable and weather resistant finish to the exterior of the oven cavity that is also visually appealing to suit any outdoor kitchen
Integrated Thermometer	Allows for easy control and management of the temperature within the oven cavity
High Quality Ceramic Bricks	Allows for superior insulation within the oven chamber, helping to provide a faster heat up time while maintaining temperatures for longer which delivers a far superior cooking performance to cheaper alternatives
Removable Rear Tray	Utilises a removable tray located at the rear of the oven helping to make cleaning a breeze. Once the oven cavity has cooled down (allow at least 8 hours after cooking), sweep the ash and debris into the tray using the supplied brush, then empty the remnants of the tray into the bin.
Convenient Trolley Design	The freestanding trolley allows for the pizza oven to be conveniently moved around when not in use. It also features lockable wheels which prevent the pizza oven from moving around when you don't want it to.
Foldaway Shelves	Allow for additional storage and preparation space when required. The shelves can also be easily folded down when they are not required or when the oven is not in use to help conserve space.
Included Extras	Pizza Paddle With Wooden Handle, Copper Brush With Wooden Handle & UV Resistant Weather-Proof Cover

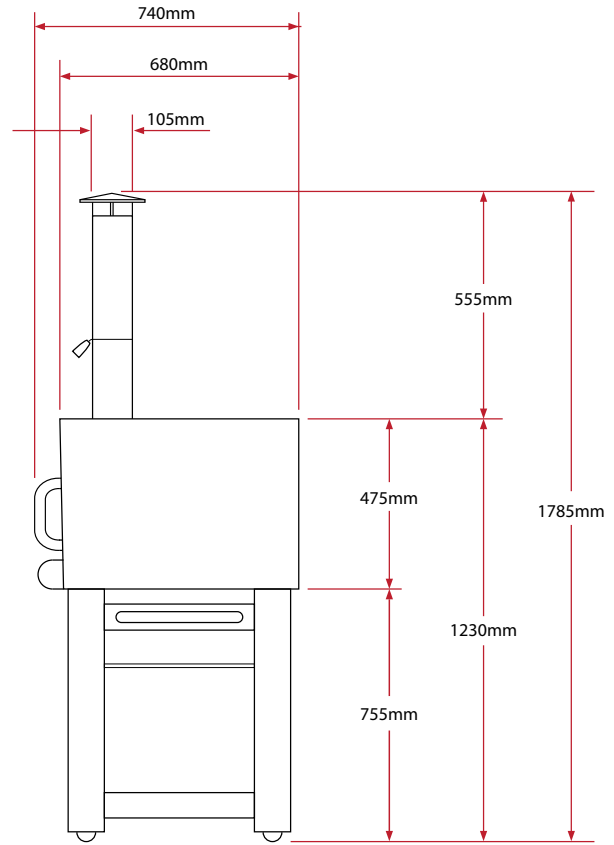
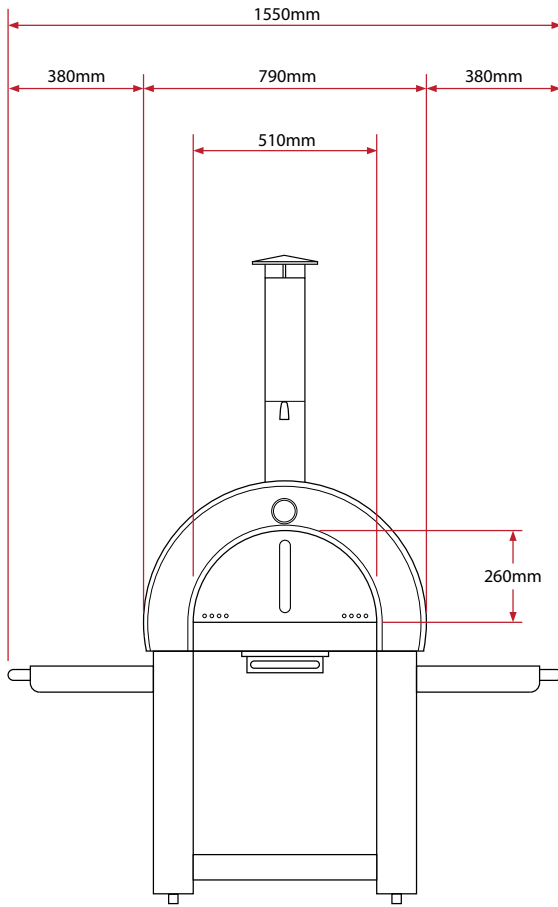
Distributed by Arisit Pty Ltd

40-44 Mark Anthony Drive, Dandenong South VIC 3175 Phone: 1300 762 219 Fax: 03 9706 6904 Website: www.arisit.com

PW01+PW01-C



Freestanding Woodfired Pizza Oven With Pizza Paddle, Copper Brush & UV Resistant Weather-Proof Cover



Model	PW01+PW01-C
External Pizza Oven Cavity Material	Black Orange Peel Coated Finish
Pizza Oven Cavity Material (External)	304 Grade Stainless Steel
Pizza Oven Cavity Material (Internal)	430 Grade Stainless Steel
Trolley Material	430 Grade Stainless Steel
Chimney Material	201 Grade Stainless Steel
Cooking Surface	Ceramic Brick
Heating Time	30-45 Minutes
Product Dimensions (Side Arms Down, Without Chimney)	(W) 790mm x (D) 740mm x (H) 1230mm
Product Dimensions (Side Arms Down, With Chimney)	(W) 790mm x (D) 740mm x (H) 1785mm
Product Dimensions (Side Arms Out, Without Chimney)	(W) 1550mm x (D) 740mm x (H) 1230mm
Product Dimensions (Side Arms Out, With Chimney)	(W) 1550mm x (D) 740mm x (H) 1785mm
Gross Weight	86kg

WARNING: Technical specifications and product sizes can be varied by the manufacturer, without notice. Cut outs for appliances should only be physical product measurements. The above information is indicative only.

Distributed by Arisit Pty Ltd

40-44 Mark Anthony Drive, Dandenong South VIC 3175 Phone: 1300 762 219 Fax: 03 9706 6904 Website: www.arisit.com