

PW01



Built-In Woodfired Pizza Oven

With Pizza Paddle, Copper Brush & UV Resistant Weather-Proof Cover



Features and Benefits:

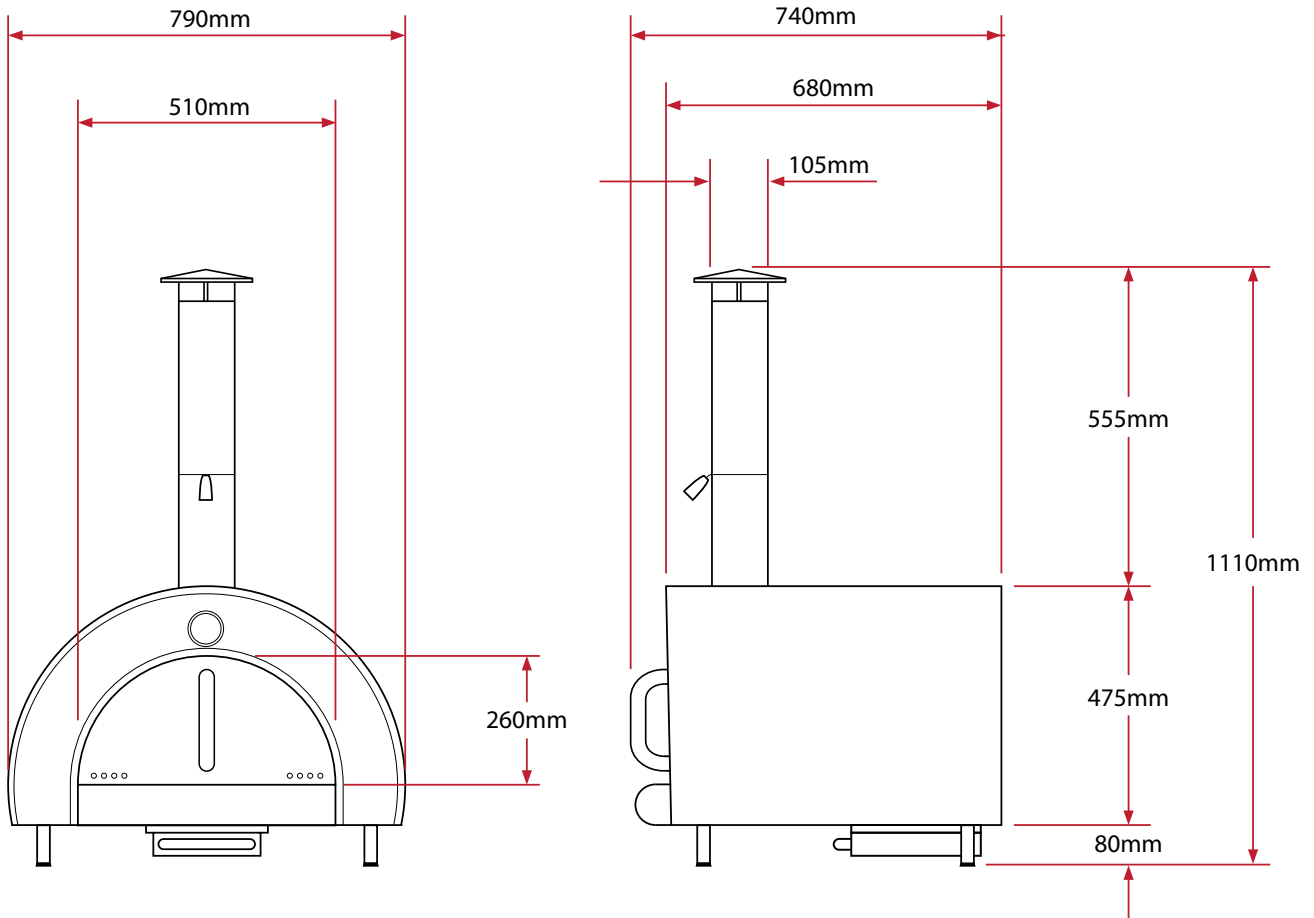
Warranty	2 Years
High Grade Stainless Steel	Offers resistance to weather and rust.
Black Orange Peel Finish (On Exterior Of Oven Cavity)	Provides a durable and weather resistant finish to the exterior of the oven cavity that is also visually appealing to suit any outdoor kitchen
Integrated Thermometer	Allows for easy control and management of the temperature within the oven cavity
High Quality Ceramic Bricks	Allows for superior insulation within the oven chamber, helping to provide a faster heat up time while maintaining temperatures for longer which delivers a far superior cooking performance to cheaper alternatives
Removable Rear Tray	Utilises a removable tray located at the rear of the oven helping to make cleaning a breeze. Once the oven cavity has cooled down (allow at least 8 hours after cooking), sweep the ash and debris into the tray using the supplied brush, then empty the remnants of the tray into the bin.
Included Extras	Pizza Paddle With Wooden Handle, Copper Brush With Wooden Handle & UV Resistant Weather-Proof Cover

Distributed by Arisit Pty Ltd

40-44 Mark Anthony Drive, Dandenong South VIC 3175 Phone: 1300 762 219 Fax: 03 9706 6904 Website: www.arisit.com

Built-In Woodfired Pizza Oven

With Pizza Paddle, Copper Brush & UV Resistant Weather-Proof Cover



Model	PW01
External Pizza Oven Cavity Material	Black Orange Peel Coated Finish
Pizza Oven Cavity Material (External)	304 Grade Stainless Steel
Pizza Oven Cavity Material (Internal)	430 Grade Stainless Steel
Chimney Material	201 Grade Stainless Steel
Cooking Surface	Ceramic Brick
Heating Time	30-45 Minutes
Product Dimensions (Without Chimney)	(W) 790mm x (D) 649mm x (H) 555mm
Product Dimensions (With Chimney)	(W) 790mm x (D) 649mm x (H) 1110mm
Product Dimensions (With Chimney)	(W) 790mm x (D) 649mm x (H) 1110mm
Gross Weight	67kg

WARNING: Technical specifications and product sizes can be varied by the manufacturer, without notice. Cut outs for appliances should only be physical product measurements. The above information is indicative only.