

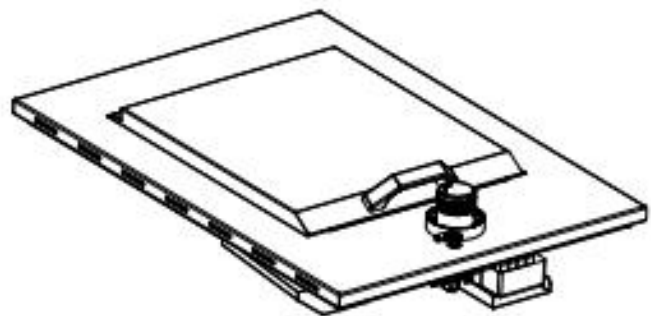
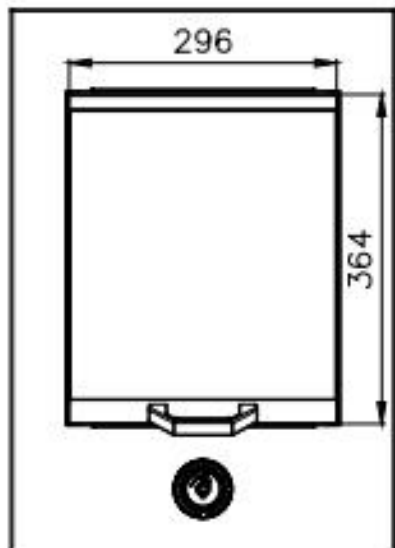
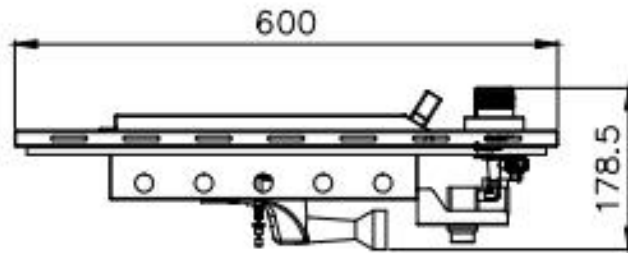
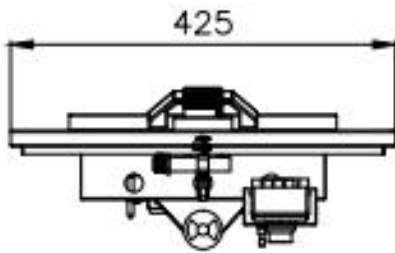
Drop-In Side Burner Gas BBQ Cooktop in Stainless Steel



Features & Benefits:

Warranty Period	3 Year Manufacturer Warranty
Stylish Drop-In Design	Gives your outdoor alfresco space a modern, classy finish as the BBQ drops down into the benchtop of your cabinetry. The slimline enclosed hood shape helps to give a more low-profile look to the BBQ.
High-Quality Cast Iron Tube Burner	Durable & high-powered gas cooktop which is capable of reaching high cooking temperatures in your outdoor alfresco setting.
304 Grade Stainless Steel	Made of high grade stainless steel which is very resistant to heat and salt helping to avoid corrosion and decay within the harsh Australian climate.
Comfort Electronic Ignition System	Safe and easy Comfort Electronic Ignition System can be lit without the use of flammable and explosive matches and lighters.
Ergonomic Controls	The ergonomic controls are conveniently located at the front of the BBQ helping to maximise the grilling surface with power level indicators.
LPG Jets Fitted. Can Be Converted To Natural Gas	The BBQ comes equipped for LPG out of the box and can be converted for usage with Natural Gas by an authorised professional. (Conversion kit needs to be purchased separately)

Drop-In Side Burner Gas BBQ Cooktop in Stainless Steel



WARNING: Technical specifications and product sizes can be varied by the manufacturer without notice. Cut outs for appliances should only be physical product measurements. The above information is indicative only.

This BBQ can only be operated in outdoor environments. Minimum clearances to combustible materials must be maintained.

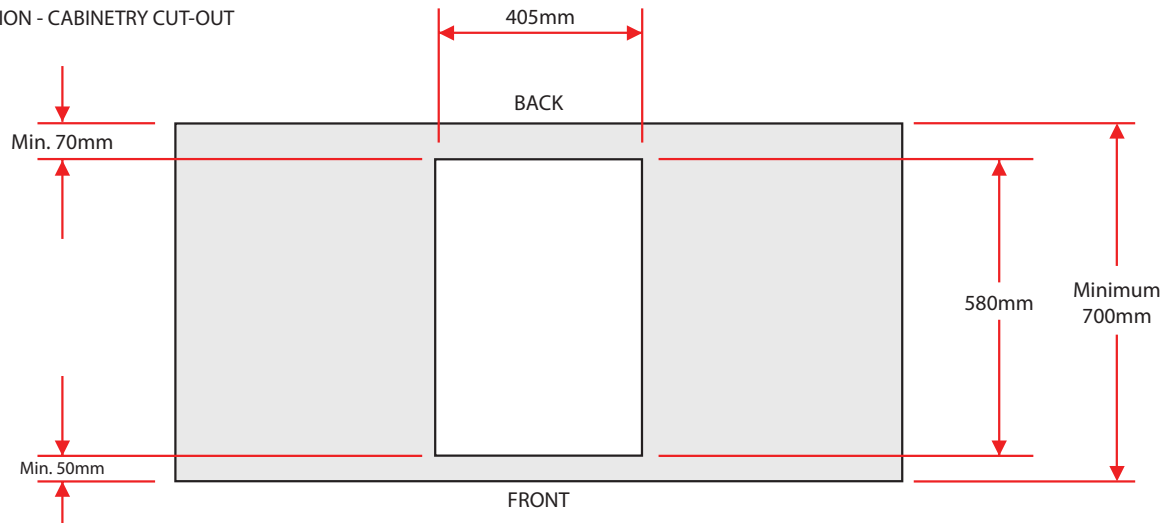
For Natural Gas Conversion please refer to the product user manual. This process should only be done by an authorised professional.

Distributed by Arisit Pty Ltd

40-44 Mark Anthony Drive, Dandenong South VIC 3175 Phone: 1300 762 219 Fax: 03 9706 6904 Website: www.arisit.com

Drop-In Side Burner Gas BBQ Cooktop in Stainless Steel

INSTALLATION - CABINETY CUT-OUT



INSTALLATION - MINIMUM CLEARANCES

WARNING: Technical specifications and product sizes can be varied by the manufacturer without notice. Cut outs for appliances should only be physical product measurements. The above information is indicative only.

This BBQ can only be operated in outdoor environments. Minimum clearances to combustible materials must be maintained.

For Natural Gas Conversion please refer to the product user manual. This process should only be done by an authorised professional.

Drop-In Side Burner Gas BBQ Cooktop in Stainless Steel

Model	SMA-DSG0010-SS
Fuel	LPG (can be converted to Natural Gas with a conversion kit - check user manual)
BBQ Cooktop Construction	304 Grade Stainless Steel
Tube Burners	Cast Iron
Total Gas Consumption (LPG)	11.5mj/h
Total Gas Consumption (Natural Gas)	12.5mj/h
Motorised Rotisserie	No
Controls Lighting	Blue LED Lighting on Each Knob
Internal BBQ Cavity Lighting	No
Ignition	Confort Electronic Ignition System
Flame Failure Safety Shut-Off	No (Should Not Be Installed Indoors)
Gross Product Weight:	
Total Product Dimensions (Lid Closed)	(w) 425mm x (d) 600mm x (h) 178.5mm
Recommended Cut Out Dimensions (Refer to Dimensional Drawings and minimum clearances to combustible materials)	(w) 405mm x (d) 580mm + Minimum Height Clearance of __mm Below The Benchtop + Minimum Benchtop Thickness of 20mm * Need to allow minimum 50mm clearance in the front of the benchtop & 70mm clearance at the rear - check with your cabinet maker re benchtop load weight.

WARNING: Technical specifications and product sizes can be varied by the manufacturer without notice. Cut outs for appliances should only be physical product measurements. The above information is indicative only.

This BBQ can only be operated in outdoor environments. Minimum clearances to combustible materials must be maintained.

For Natural Gas Conversion please refer to the product user manual. This process should only be done by an authorised professional.