

601WB-W



## 6 Burner Built-In BBQ in Stainless Steel with Motorised Rotisserie & Window Within Enclosed Hood



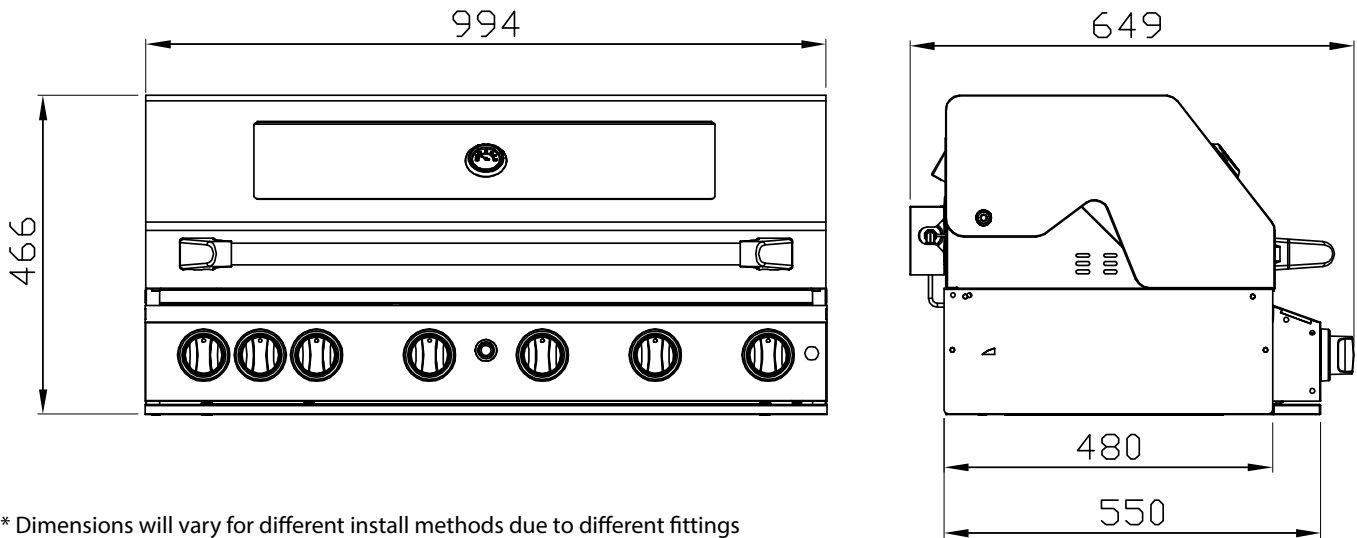
### Features and Benefits:

Warranty Period	3 Years
6 Burner Barbecue	6 x high quality 4 burners made from 304 grade stainless steel with 1 x additional rear infrared rotisserie burner (Rotisserie components included).
Double Skinned Hood with Thermostat	Double skinned hood with rotisserie and thermostat allows cooking with the lid closed and retains more heat than other skinned models.
Motorised Rotisserie	Great for roasting larger cuts of meat with a 10AMP plug-in motor. (Max. Weight of 7kg)
Transparent Window	Transparent window within hood to allow visibility when using rotisserie and roasting.
One-Hand Ignition	Safer and easier ignition setup which can be lit with one hand and without the use of flammable and explosive matches and lighters.
Internal LED Lighting	Provides added visibility within the BBQ for cooking at night.
Lighting On Control Knobs	Blue LED lighting on the control knobs
UV Protected Cover	Your barbecue will not only last longer but will also look better when protected with the weather proof cover provided as a standard additional extra.
304 Grade Stainless Steel	Made of high grade stainless steel which is very resistant to heat and salt helping to avoid corrosion and decay.
Easy To Remove Drip Tray	Makes cleaning simple as all fats and oils drip down into the removable tray at the bottom
LPG Jets Fitted. Can Be Converted To Natural Gas	The BBQ comes equipped for LPG out of the box and can be converted for usage with Natural Gas by an authorised professional. (Conversion kit needs to be purchased separately)
Included Extras	Weather Proof UV Protected Cover, S/Steel Warming Rack & Removable Grease Drip Tray

Distributed by Arisit Pty Ltd

40-44 Mark Anthony Drive, Dandenong South VIC 3175 Phone: 1300 762 219 Fax: 03 9706 6904 Website: [www.arisit.com](http://www.arisit.com)

## 6 Burner Built-In BBQ in Stainless Steel with Motorised Rotisserie & Window Within Enclosed Hood



\* Dimensions will vary for different install methods due to different fittings

Model	601WB-W
BBQ Construction (Enclosed Hood, Control Panel, Chassis etc.)	304 Grade Stainless Steel
Tube Burners	304 Grade Stainless Steel
Flame Tamers	304 Grade Stainless Steel
Double Skinned Hood	Yes
Total Gas Consumption (LPG)	91mj/h (13mj/hr each burner & rear burner)
Total Gas Consumption (Natural Gas)	77mh/h (11mj/hr each burner & rear burner)
Motorised Rotisserie	Yes (Rated To Maximum 7kg)
Lighting	Under Hood LED Lighting and LED Control Knobs
Ignition	One-Hand Push Button Electric Ignition
Grill Plate Materials	Cast Iron
Total Cooking Area	(w) 965mm x (d) 455mm
Open Grill Plate Dimensions	(w) 305mm x (d) 455mm - quantity of 2 supplied
Solid Flat Grill Plate Dimensions	(w) 355mm x (d) 455mm - quantity of 1 supplied
Product Dimensions (As Above)	(W) 994mm x (D) 649mm x (H) 466mm Dimensions will vary for different install methods

WARNING: Technical specifications and product sizes can be varied by the manufacturer without notice. Cut outs for appliances should only be physical product measurements. The above information is indicative only.

This BBQ can only be operated in outdoor environments. Minimum clearances to combustible materials must be maintained.

For Natural Gas Conversion please refer to the product user manual. This processed should only be done by an authorised professional.

## 6 Burner Built-In BBQ in Stainless Steel with Motorised Rotisserie & Window Within Enclosed Hood

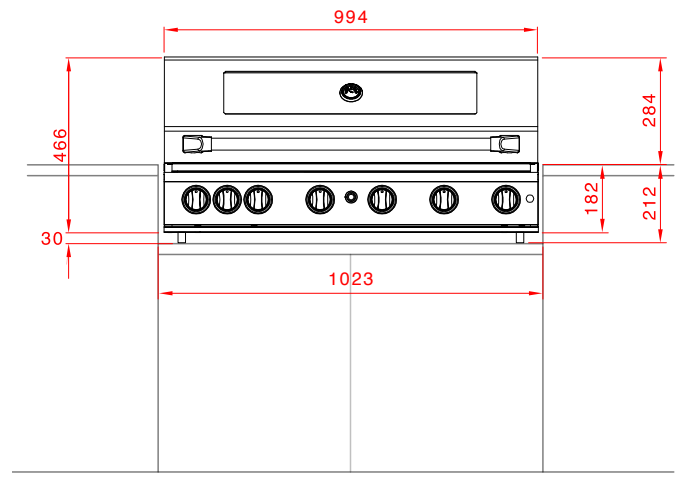
Do not cut your cabinetry or benchtops until you have physically received your Smart BBQ to ensure optimum results. The cut out dimensions provided on this sheet are indicative only as requirements for each install will vary. Upon receiving your Smart BBQ, individually measure the relevant sections to ensure optimum fittings.

### Install Method One

BBQ Sits Directly Onto Cabinetry With Provided 30mm Feet

Recommended Cut Out Dimensions:  
(w) >1023mm x (h) 212mm x (d) 530mm

Ensure minimum 180mm rear clearance behind the BBQ to any wall to allow for the BBQ hood to open



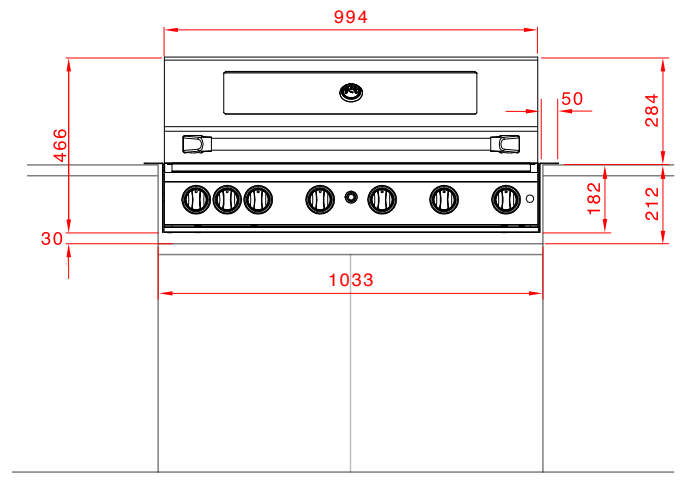
### Install Method Two

BBQ Uses Mount Bracket To Rest Onto Cabinetry (No Spacer)

Recommended Cut Out Dimensions:  
(w) >1033mm x (h) 212mm x (d) 530mm

Ensure minimum 180mm rear clearance behind the BBQ to any wall to allow for the BBQ hood to open

Installation must allow a minimum 30mm clearance below the BBQ to allow for ventilation and to stop build up of heat which can damage your cabinetry and BBQ.



### Install Method Three

BBQ Uses Mount Bracket With 50mm Spacer To Rest Onto Cabinetry (Ideal For Cabinetry Made Of Wood/Timber)

For Safety reasons, this BBQ must have a minimum 50mm clearance from any combustible materials. This is the only installation method available if you are installing the BBQ onto cabinetry made of combustible materials such as wood.

Recommended Cut Out Dimensions:  
(w) 1110mm x (h) 232mm x (d) 530mm

Note: Cut Out width must be bigger than 1100mm and smaller than 1200mm for the side mount bracket to rest on the edges of cabinetry.

Ensure minimum 180mm rear clearance behind the BBQ to any wall to allow for the BBQ hood to open

