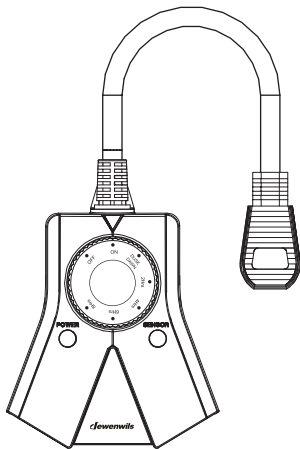


Jewenwils

Outdoor Light Sensor Timer

SKU: HODT31A
[Instruction Manual]



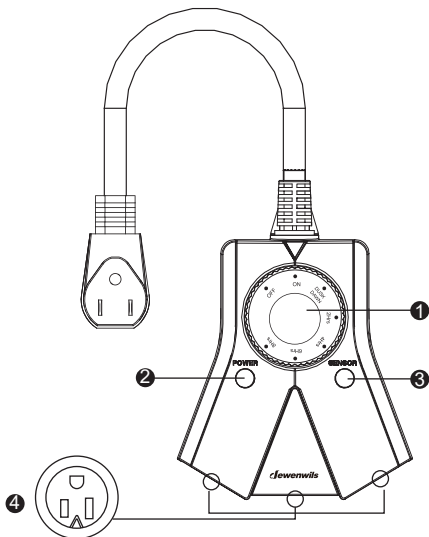
Please pay attention to the warning signs
Read the instructions with caution before operating
and keep it properly

WARNING

To reduce the risk of fire, electric shock or personal injury, please strictly follow the instructions.

1. The timer must be mounted in a vertical position with the outlets facing downward and at least 2ft above the ground level.
2. Do not connect any devices which exceed the maximum ratings of the timer.
3. Do not immerse in water.
4. Children are not allowed to use the timer without supervision.
5. Do not disassemble or repair the product, but only by authorized service personnel.
6. Always unplug and store indoors when not in use.

Product Layout



1. Timer dial: 2 to 8 hours or dusk to dawn and daily repeat function.
2. Power: Power indicator light indicates if the timer is turned on or off.
3. Sensor: Sensor will turn timer on at dusk and off at dawn.
4. 3 Outlets: Plug the lights or device to be controlled by the timer into outlet.

Operating Instructions

OFF: Power is OFF to attached devices

ON: Power is ON to attached devices

Dusk - Dawn: Power will turn on at dusk and remain on until dawn

2 Hrs: Power will turn on at dusk and remain on for 2 hours

4 Hrs: Power will turn on at dusk and remain on for 4 hours

6 Hrs: Power will turn on at dusk and remain on for 6 hours

8 Hrs: Power will turn on at dusk and remain on for 8 hours

Cycle repeats every 24 hours

Notes

- 1)The timer is daily repeat after setting, in case of power failure, it will stop operating. Once power is restored, reset the desired operating mode as the operating instructions.
- 2)Once programming activates at dusk in the 2H, 4H, 6H, or 8H Mode, the program cycle will repeat until the timer is reset. Headlights, porch lights, street lamps and other external lighting sources will not interfere with the active timer program.
- 3)In the Dusk- Dawn Mode, temporary light sources like headlights, porch lights and other external light sources will not interfere with the photocell function unless the external light source is on for more than 15 minutes. In that case, the timer will shut off until darkness is restored.
- 4)When set to "ON", the timer will provide continual power to attached devices until the timer is switched to "OFF", or to any of other operating modes.

Specifications

Input Voltage:

- 125V, 60Hz.

Max Power Rating:

- 125V, 60Hz, 1875W,

- 15A Resistance,
- 15A General Use,
- 1000W Tungsten,
- 500VA Electronic Ballast,
- 120Vac, 60Hz, 8.3A Ballast,
- 1/2HP.

Cord:

- SJTW 14/3 AWG.

Safety Information

Federal Communications Commission Interference Statement

This equipment has been tested and found to comply with the limits for a Class B digital device, pursuant to Part 15 of the FCC Rules. These limits are designed to provide reasonable protection against harmful interference in a residential installation. This equipment generates, uses and can radiate radio frequency energy and, if not installed and used in accordance with the instructions, may cause harmful interference to radio communications.

However, there is no guarantee that interference will not occur in a particular installation.

If this equipment does cause harmful interference to radio or television reception, which can be determined by turning the equipment off and on, the user is encouraged to try to correct the interference by one or more of the following measures:

- Reorient or relocate the receiving antenna.
- Increase the separation between the equipment and the receiver.
- Connect the equipment into an outlet on a circuit different from that to which the receiver is connected.
- Consult the dealer or an experienced radio/TV technician for help.

This device complies with Part 15 of the FCC Rules. Operation is subject to the following two conditions:

(1) this device may not cause interference, and(2) this device must accept any interference, including interference that may cause undesired operation of the device.

FCC Caution: Any changes or modifications not expressly approved by the party responsible for compliance could void the user's authority to operate this equipment.

One Year Limited Warranty

Supported by our professional R&D team and QC team, we provide One Year Warranty for materials and workmanship from the purchase date. Please note that the warranty does not cover damage caused by personal misuse or improper installation.

Please attach your Order ID and Name so that our dedicated customer service team can help you better.



Made in China