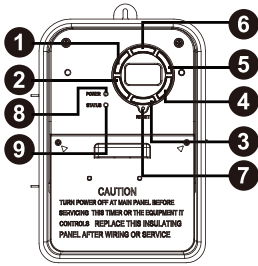


Dewenwils Outdoor Digital Box Timer



CAUTION! For outdoor use. For installation, rain-tight or wet location conduit hubs that comply with requirements of UL 514B Conduit, Tubing, and Cable Fittings must be used.
 Note: Installation should be made by a licensed electrician. Turn power OFF at the circuit breaker before installation.
READ ALL INSTRUCTIONS before using the outdoor digital box timer

Button Layout



1. TIME – Setting the Clock.
2. RESUME – Erase Program.
3. MODE – Choose Different Mode.
4. (-) - Adjust DOWN.
5. (+) - Adjust UP.
6. PROGRAM - Setting Program.
7. RESET – Reset all the functions.
8. POWER – Power indicator light indicates if the Digital Box Timer is turned ON or OFF.
9. STATUS – Status light indicates the output ON.

Operating Instruction

Before initial use, if the digital screen is blank, please wire it as the diagram shows on the last paper to charge the internal battery for at least 30 minutes, After the screen displays, the unit is ready for programming.

1. Set the Current Date

- a. Press the "TIME" button to set the current year.
 Press "+" or "-" button to adjust the flashing number.
- b. Press the "TIME" button again to set the month.
 Press button "+" or "-" to adjust the number from 01 to 12.
- c. Press the "TIME" button again to set the date.
 Press button "+" or "-" to adjust the number.

2. Set the DST

- d. Press the "TIME" button again to set the Day Light Savings Time (DST) function.
 Press button "+" or "-" to set AUTO, as shown in the figure,

3. Set the Current Time

- e. Press the "TIME" button again to set the hour.
 Press button "+" or "-" to adjust the number.
- f. Press the "TIME" button again to set the minutes.
 Press button "+" or "-" to adjust the number from 00 to 59.

4. Set the Astronomic Function

The map below will determine what zone the timer is being used

Once the zone is determined, the timer will automatically set the sunrise and sunset time



- g. Press the "TIME" button again to set the Astronomic function.
 Press button "+" or "-" to adjust three different areas to your current location.



h. Set the Sunrise Time

Press the "TIME" button again to adjust the Sunrise time. Press "+" or "-" button to adjust ± 2 hours, Press "RESUME" back to current Sunrise time. If AM twinkling it means that setting Sunrise time.



i. Set the Sunset Time

Press the "TIME" button again to adjust the Sunset time. Press "+" or "-" button to adjust ± 2 hours, Press "RESUME" back to current Sunset time. If PM twinkling it means that setting Sunset time.



5. Programming of Switching Times (On/Off)

Note: in the process, press the "RESUME" will clear the current setting.




- a. Press the "PROGRAM" button to begin setting the event.
 - b. Press the "TIME" button to set the first On event. The setting will begin from the beginning of the week. Press button "+" or "-" to adjust different week event:
 - Every day (7 Days of the week)
 - Weekday (Mon-Fri)
 - Weekend (Sat-Sun)
 - c. Press "TIME" button to set the hours.
 Press "+" or "-" to set hours. Hours setting mode:
 - 12-hour clock AM/PM
 - Sunrise/Sunset
 Press "TIME" button to set the minutes.
 Note: If you select Sunrise or Sunset as the event. Please press "PROGRAM" button to select "ON" or "OFF".
- Press button "+" or "-" to adjust from 00-59.
 Note: If you press button "RESUME" that will cancel the setting.
- d. Press "PROGAM" button to turn the first event OFF.
 This setting is like the pervious step. There are 7 events you can set in this timer. Once you finished the setting please press the "PROGRAM" button back to standby status.
 Note: If the timer is idle for 30 seconds. The time will automatically set to current time.




Dewenwils Outdoor Digital Box Timer

6. Mode Setting

Press "MODE" button to choose different functions between ON, ON AUTO, ON, RANDOM(RDM), OFF, OFF AUTO, OFF RDM.

When RDM setting is ON: Random setting will increase or decrease the time on your ON/OFF setting by 30 minutes.

Mode	Display	Function
ON		always on
OFF		always off
AUTO ON		Timer is ON currently and ON/OFF program is activated

Mode	Display	Function
AUTO OFF		Timer is OFF currently and ON/OFF program is activated
RDM ON		RDM is ON currently and ON/OFF program is activated
RDM OFF		RDM is OFF currently and ON/OFF program is activated

Dewenwils Outdoor Digital Box Timer INSTALLATION INSTRUCTIONS



WARNING: This timer should be installed by a licensed electrician. Turn power off at main panel before servicing this switch or the equipment it controls.

IMPORTANT: For outdoor use. Rain-tight or wet location conduit, hubs, tubing, and cable fittings that comply with requirements of UL 514B must be used for installation.

1. Read Important Safety Information below before beginning installation.
2. Open outer cover by releasing the spring latch.
3. Remove the interior protective cover by removing the two screws holding the cover in place (Figure 1).
4. Select the knockouts to be used. Remove the inner 1/2" knockout by inserting a screwdriver in the slot and carefully punching the knockout loose. Remove slug. If 3/4" knockout is required, also remove the outer ring with pliers after removing the 1/2" knockout. Smooth any rough edges with a file or sandpaper, if necessary.
5. Place the Digital Timer in the desired mounting location and mark the location of the mounting keyhole. Install a screw at mark and drive partially in place. Attach digital timer by placing keyhole over screw; then tighten screw firmly.
6. Wire in accordance with national and local codes (see wiring diagrams below). Use only copper conductors, #8 AWG wire, suitable for at least 175° F (80° C). Tighten all connections to 12in-lbf.
7. Grounding: Terminate all ground wires to grounding lug at the bottom of enclosure (Figure 2).
8. Replace interior protective cover.
9. Close outer cover and the digital timer box is ready to use.

Figure 1

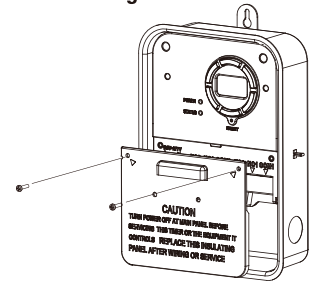
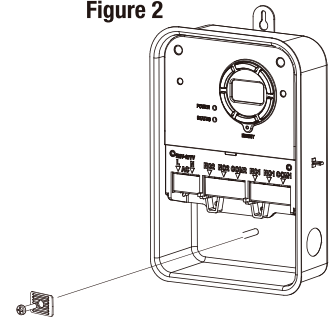


Figure 2



Important Safety Information

WARNING: Risk of Fire or Electric Shock. Read instructions thoroughly before installation and preserve for future reference.

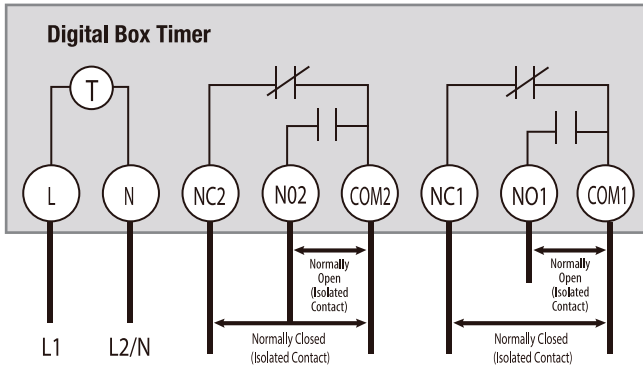
Disconnect power at circuit breaker and test that power is off before installing (or servicing) the digital timer box (more than one circuit breaker or disconnect switch may be required to fully disconnect power).

Wiring must be in accordance with all national and local electrical code requirements. Inspect all terminals and wires with voltage meter before touching. The maximum total load to be controlled must not exceed Smart Box capacity.

The Digital Timer Box enclosure does not provide grounding between conduit connectors. When metallic conduit is used, you must also install grounding type bushings and jumper wires in accordance with National Electrical Code (NEC) requirements.

Dewenwils Outdoor Digital Box Timer INSTALLATION INSTRUCTIONS

DIGITAL BOX TIMER TERMINAL DESIGNATIONS



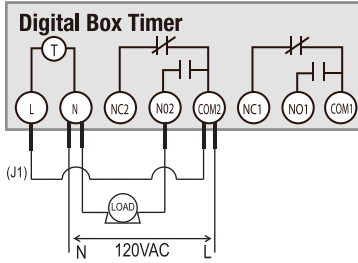
L = Line | N = Neutral | NO = Normally Open | NC = Normally Closed
COM = Common Terminal | J = Jumper Wire | T = Timer

DIGITAL BOX TIMER TYPICAL APPLICATION WIRING DIAGRAMS

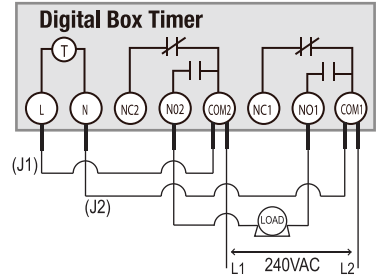
Note: Digital Box timer is capable of being configured for 120VAC, 240VAC or 277 VAC.

*J1 & J2 are 16 AWG jumper wire for the timer power supply.

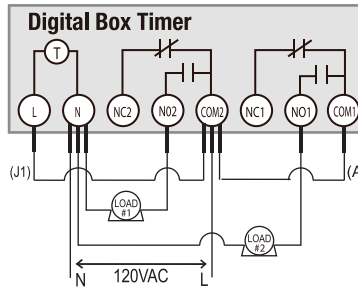
120 VAC Application Controlling One 120VAC Load



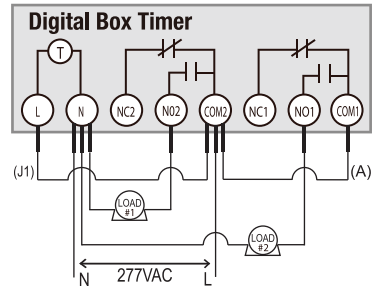
240 VAC Application Controlling One 240VAC Load



120 VAC Application Controlling Two 120VAC Loads

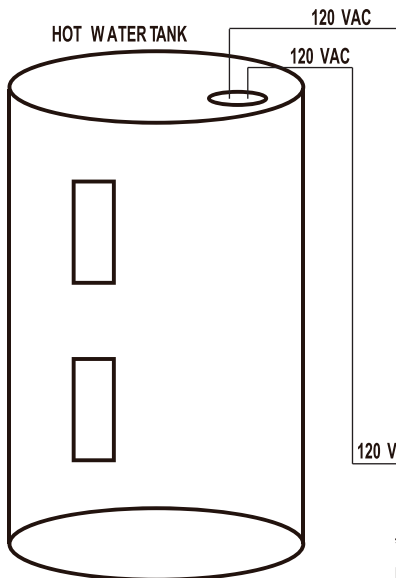


277 VAC Application Controlling Two 277VAC Loads

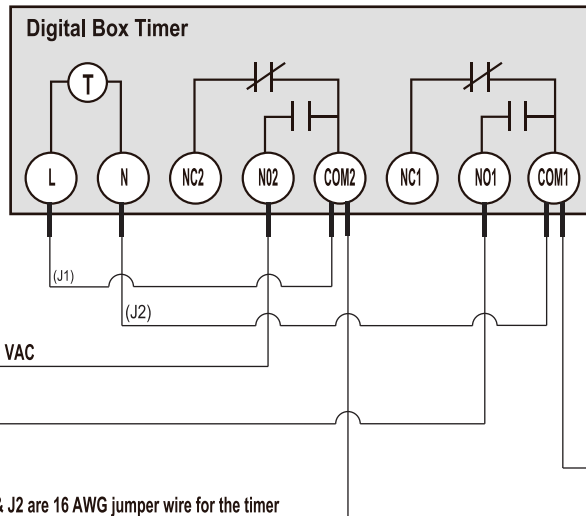


Note: (A) The wire connecting COM1 with COM2 should use the same gauge as the load wire.

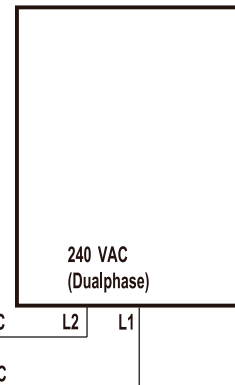
HOT WATER HEATER TYPICAL WIRING DIAGRAM



* J1 & J2 are 16 AWG jumper wire for the timer power supply.



Circuit Breaker Box



One Year Limited Warranty

Supported by our professional R&D team and QC team, we provide One Year Warranty for materials and workmanship from the purchase date. Please note that the warranty does not cover damage caused by personal misuse or improper installation. Please attach your Order ID and Name so that our dedicated customer service team can help you better.