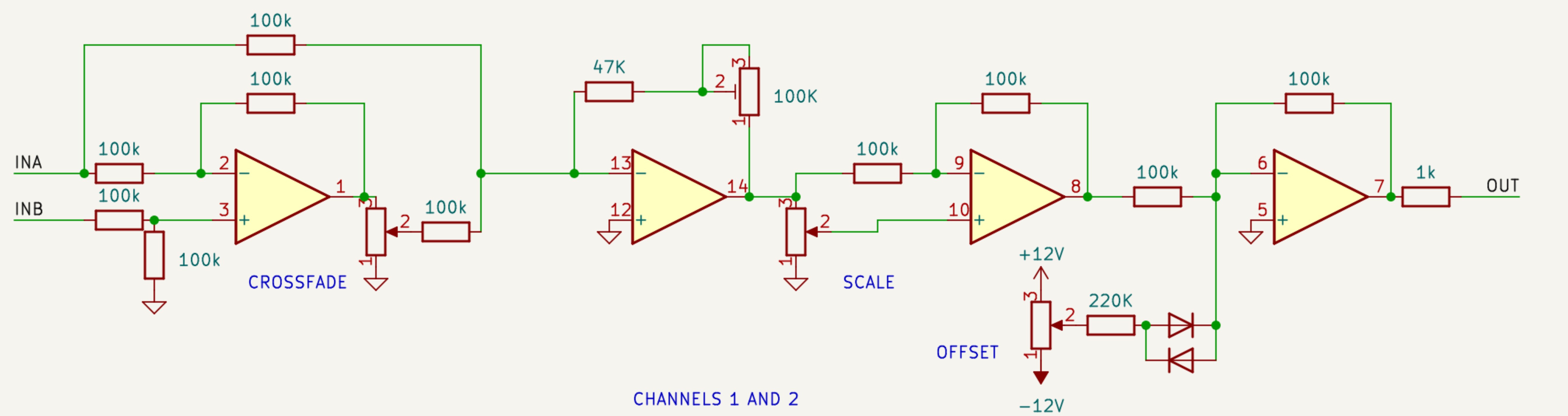
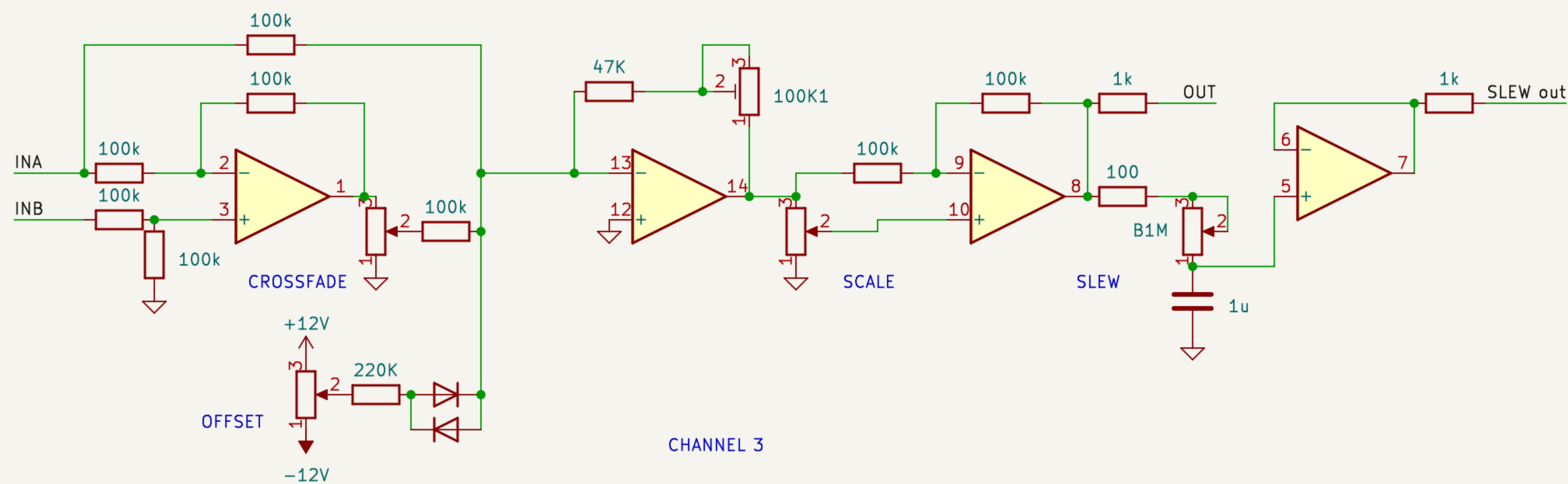


POWER CONDITIONING NOT SHOWN



CHANNELS 1 AND 2



CHANNEL 3

SD SYNTH

Sheet:
File: 673.kicad_sch

Title: 673 VOLTAGE PROCESSOR

Size: A4 Date: 2023-02-21

Rev: 2

KiCad E.D.A. eeschema (7.0.0-0)

Id: 1/1