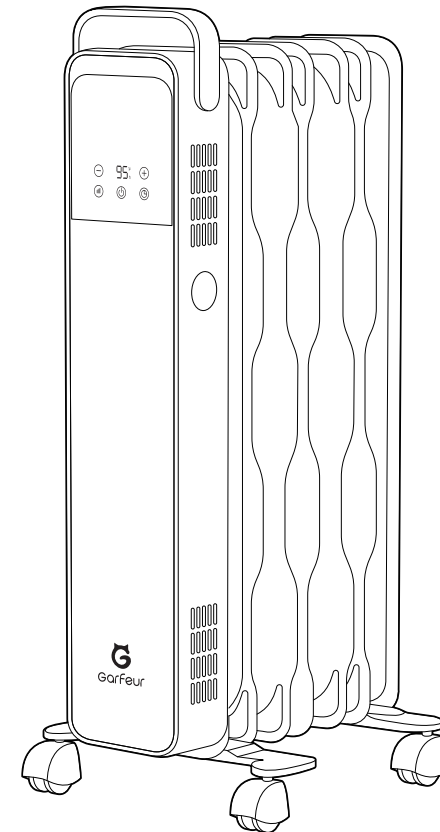




## Questions or Concerns?

 [support@garfeur.com](mailto:support@garfeur.com)

 [www.garfeur.com](http://www.garfeur.com)



Manufacturer: Shenzhen Dexi Innovative Technology Co., Ltd.  
Address: 309, Building 2, TOD Technology Center,  
Bantian Street, Longgang District, Shenzhen

Made in China Rev 1.0\_EN



## Electric Oil-filled Heater

Model: GF-AP001

## User Manual

# CONTENTS

---

Important Instructions	02
Features	04
Package Contents	04
Product Diagram	05
Specifications	05
How to Use	06
Maintenance	10
Troubleshooting	11
Warranty and Service	12

## READ AND SAVE THESE INSTRUCTIONS

READ CAREFULLY BEFORE ATTEMPTING TO ASSEMBLE, INSTALL, OPERATE OR  
MAINTAIN THE PRODUCT DESCRIBED

PROTECT YOURSELF AND OTHERS BY OBSERVING ALL SAFETY INFORMATION  
FAILURE TO COMPLY WITH INSTRUCTIONS COULD RESULT IN PERSONAL INJURY  
AND/OR PROPERTY DAMAGE

**RETAIN INSTRUCTIONS FOR FUTURE REFERENCE.**

# IMPORTANT INSTRUCTIONS

**When using this appliance, basic precautions should always be followed to reduce the risk of fire, electric shock and injury to persons, including and hyperthermia the following:**

**CAUTION-** High temperature, keep electrical cords, drapery, and other furnishings at least 3 feet (0.9m) from the front of the heater and away from the side and rear.

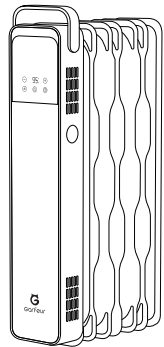
1. Read all instructions before using the heater.
2. Remove the unit from its packaging and check to ensure it is in good condition before using.
3. Do not let children play with parts of the packaging (such as plastic bags).
4. Check the household voltage to ensure it matches the heater's rated specification.
5. Carefully inspect the power cord and plug before use to make sure that they are not damaged.
6. Before unplugging the power cord, be sure to turn off the power. Ensure your hands are dry when touching the unit to prevent receiving an electric shock.
7. Do not use the heater near or point it towards furniture, curtains, or other flammable objects. Keep combustible materials, such as furniture pillows, bedding, papers, clothes, and curtains at least 3 feet (0.9m) from the front of the heater and keep them away from the sides and rear.
8. Do not block air intakes or exhaust in any manner to prevent a possible fire.
9. Extreme caution is necessary when any heater is used by or near children or invalids, and whenever the heater is left operating and unattended.
10. Always unplug the heater when not in use.
11. Prevent water from getting into the housing of the heater during operation or storage. Always store in a dry area free from potential moisture.
12. Do not use in places where gasoline, paint, or other flammable liquids are used or stored.
13. This heater is not intended for use in bathrooms, laundry areas, or similar indoor locations. Never place the heater where it may fall into a bathtub or other body of water.
14. Do not run the cord under carpeting. Do not cover the cord with throw rugs, runners, or the like. Arrange the cord away from traffic areas and where it will not be tripped over.
15. Do not use on soft surfaces, like a bed, where openings may become blocked.
16. Do not operate any heater with a damaged cord or plug, after the heater malfunctions, or if it has been dropped or damaged in any manner. Return the heater to an authorized service facility for examination, electrical or mechanical adjustment, or repair.
17. Hyperthermia can result in death. Symptoms of hyperthermia include high body temperature, headache, nausea, vomiting, tiredness, dizziness, fainting, and rapid pulse. If you begin to experience symptoms related to hyperthermia, turn off the heater and seek medical attention.
18. To avoid excessive room temperatures which can cause hyperthermia: Do not leave the product running unattended in a confined space around infants, or individuals with reduced physical, sensory, or mental capabilities.
19. Do not insert or allow foreign objects to enter any ventilation or exhaust opening as this may cause an electric shock, fire, or damage the heater.
20. This heater is hot when in use. To avoid burns, do not let bare skin touch hot surfaces. If provided, use handles when moving this heater.
21. Use this heater only as described in this manual. Any other uses not recommended by the manufacturer may cause fire, electric shock, or personal injury and may void the warranty.
22. Always plug the heater directly into a wall outlet/receptacle. Never use with an extension cord or relocatable power tap (outlet/power strip).
23. Do not use outdoors.
24. To disconnect the heater, turn controls to off, then remove the plug from the outlet.
25. **WARNING: RISK OF FIRE.** Keep combustible materials such as furniture, paper, clothes, and curtains at least 3 feet (0.9m) from the front of the heater and keep them away from the sides and rear when the heater is plugged in.
26. Do not place any objects such as furniture, papers, clothes, and curtains closer than 3 feet to the front of the heater and keep them away from the sides and rear when the heater is plugged in.
27. Do not place the heater near a bed because objects such as pillows or blankets can fall off the bed and be ignited by the heater.
28. Never clean this heater while it is plugged in. Do not immerse in water. To disconnect, turn control to OFF, then remove the plug from the outlet by grasping it and pulling it from the outlet. Never yank on the cord.
29. This appliance is not intended for use by persons (including children) with reduced physical, sensory or mental capabilities, or lack of experience and knowledge, unless they have been given supervision or instruction concerning the use of the appliance by a person responsible for their safety.
30. Children should be supervised to ensure that they do not play with the appliance.
31. Do not use with a wireless plug adapter or outlet that allows control remotely.

# SAVE THESE INSTRUCTIONS

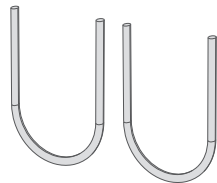
## Features

- 600/900/1500W heating modes
- LED display with touch control/ remote control (with Mute relay)
- 0-24Hr timer
- Desired temperature setting in range of 41-95 Fahrenheit
- ECO mode
- Child Lock protection
- Tip-over protection
- Overheating protection

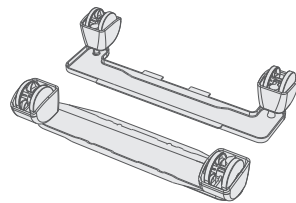
## Package Contents



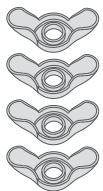
1 x Electric oil-filled heater body



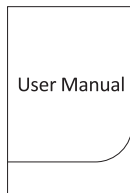
2 x U-shaped bolts



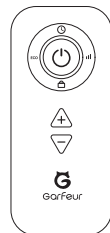
2 x Foot plates



4 x Screw the wing nuts



1 x User Manual

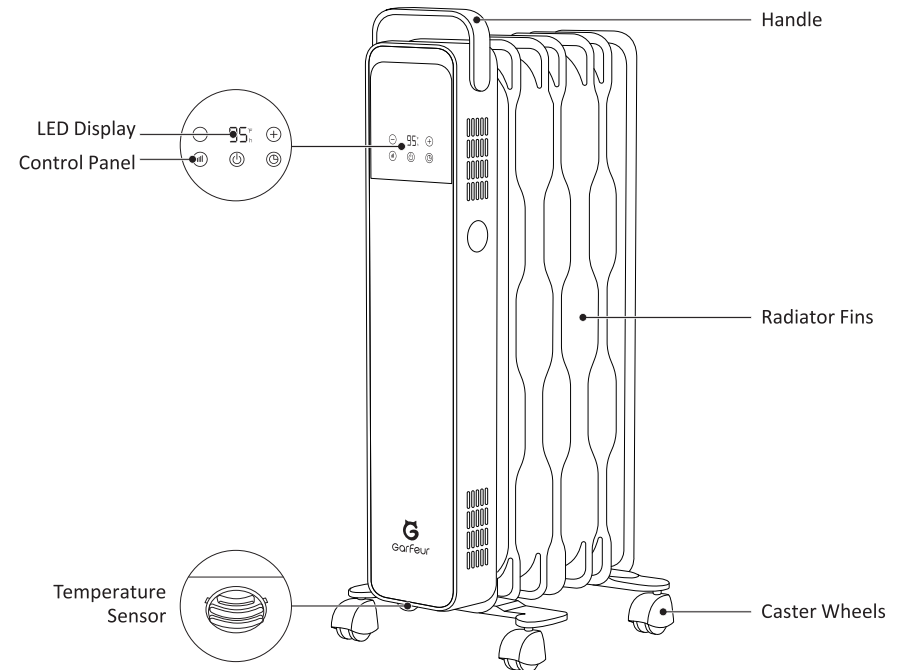


1 x Remote Control



1 x CR2025 Type Lithium Battery (Installed in the Remote Control)

## Product Diagram



## Specifications

<b>Model</b>	GF-AP001
<b>Voltage / Frequency</b>	120V~ 60Hz
<b>Power</b>	Max. 1500 W
<b>Remote Control Battery</b>	CR2025, 3V
<b>Operation Temperature</b>	41-95 °F

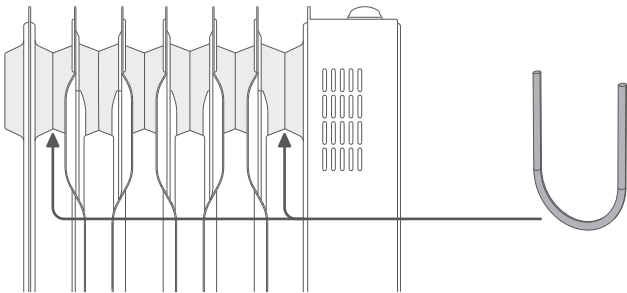
## How to Use

### ASSEMBLY INSTRUCTIONS

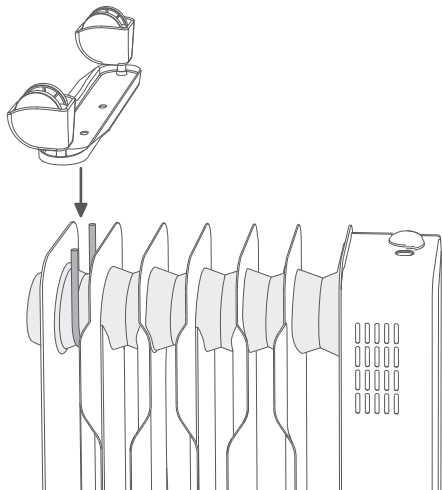
The heater is packaged with the caster wheels unattached. You must attach them before operating the heater.

**WARNING:** Do not operate without caster wheels attached. Only operate the heater in upright position (wheels on the bottom, controls on the top), any other position could create a hazardous situation.

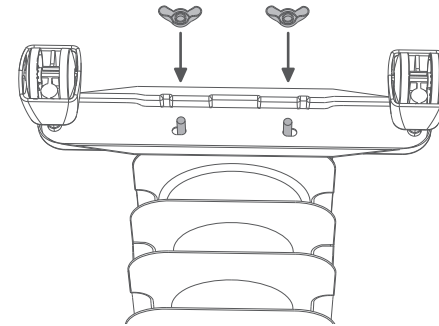
①



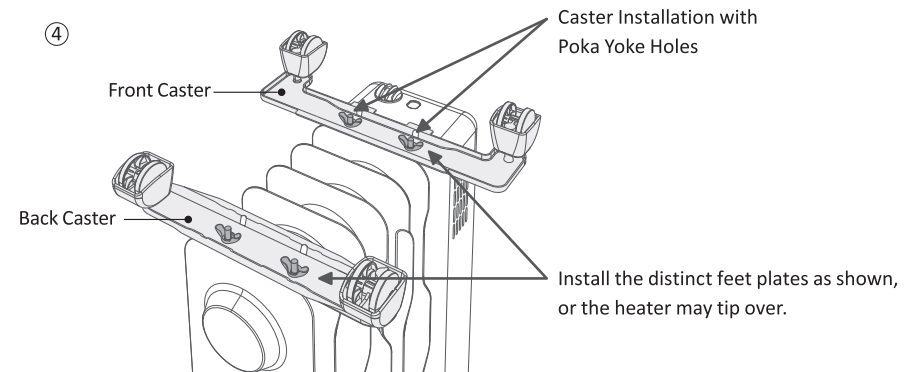
②



③



④

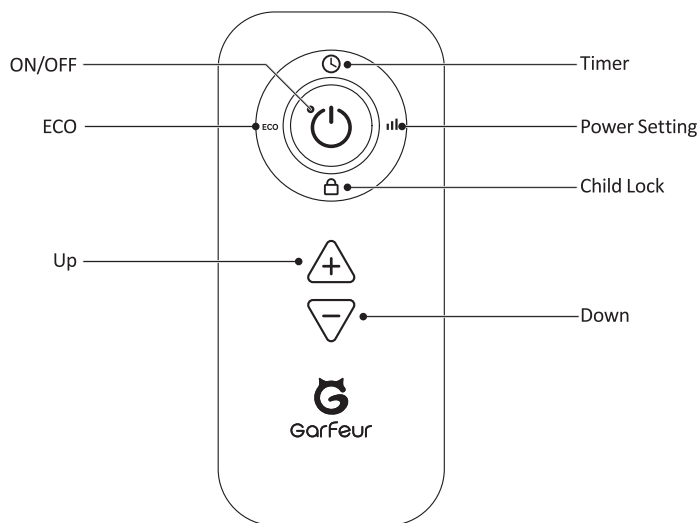
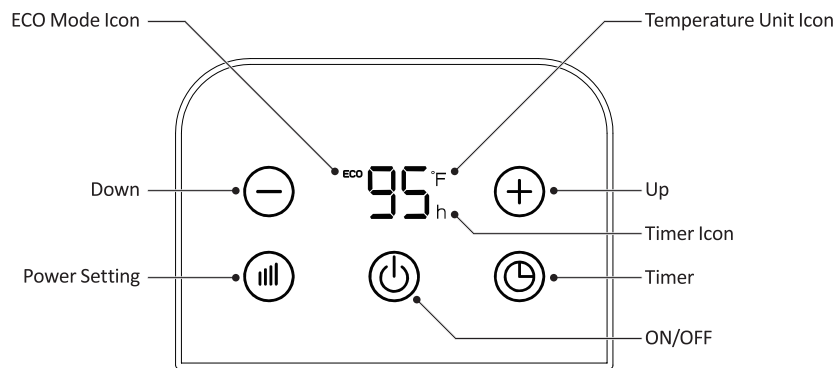


1. Place the radiator body upside-down on a scratch-free surface, ensuring it is stable and will not fall.
2. Back caster: Unscrew the wing nuts from the provided U-shaped bolt, then attach the U-shaped bolt to the U-facing flange between the last two fins. To attach the caster mounting plate to the radiator body, insert the threaded ends of the U bolt into the holes on the caster mounting plate.
3. Front caster: Unscrew the wing nuts from the provided U-shaped bolt, then attach the U-shaped bolt to the U-facing flange between the first two fins. To attach the caster mounting plate to the radiator body, insert the threaded ends of the U bolt into the holes on the caster mounting plate.
4. Screw the wing nuts back onto the U bolt and fasten them properly.

**Notes:** do not over tighten, which may cause the damage of radiator flange. The casters must be mounted between the end two fins.

## INSTRUCTIONS FOR USE

Before using the heater make sure that it is on a flat and stable surface. Damage may occur if it is placed on an incline or decline.



### 1. ⏻ ON/OFF

Upon plugging the heater into an outlet, the display will indicate '--', signifying that the heater is in standby mode. By pressing the ⏻ button, the heater will default to its maximum power setting, P3 (1500w), and the display will show a preset temperature of 86 °F.

In the powered-on state, you can turn off the heater by pressing the ⏻ button. The display will revert to '--', indicating that the heater has returned to standby mode."

### 2. 📊 POWER SETTING

By pressing the 📊 button, you can adjust the power level of the heater. The heater defaults to the P3 setting (maximum power of 1500W). Each subsequent press of the 📊 button will cycle through the power levels: P3 (1500W), P2 (900W), P1 (600W), and ECO (energy-saving mode). The display will correspondingly show 'P3', 'P2', 'P1', and a green ECO icon, respectively.

### 3. ⬆️ or ⬆️ UP or DOWN

When the heater is turned on, pressing the ⬆️ or ⬆️ buttons will adjust the set temperature of the heater, with the display showing the corresponding temperature value. The default temperature upon turning on is 86 °F, and the adjustable temperature range is 41-95 °F. After setting the temperature, the display will flash the corresponding temperature for 5 seconds before saving it. The heater will then begin to heat. Once the set temperature is reached, the heater will stop heating. If the ambient temperature falls below the set value, the heater will resume heating.

### 4. ⌚ TIMER


When the heater is turned on, pressing the ⌚ button will initiate the timer shutdown setting. The timer can be set for a range of 1-24 hours. Pressing the ⬆️ or ⬆️ buttons will adjust the desired time. Once set, the corresponding number on the screen will flash for 5 seconds before saving. At this point, the Timer Icon will light up, and the heater will operate normally. Once the countdown time is reached, the heater will automatically shut off.

In standby mode, pressing the ⌚ button will initiate the timer start-up setting. The timer can be set for a range of 1-24 hours. Pressing the ⬆️ or ⬆️ buttons will adjust the desired time. Once set, the corresponding number on the screen will flash for 5 seconds before saving. At this point, the screen will display the currently set value. Once the countdown time is reached, the heater will automatically turn on.

### 5. 🔒 CHILD LOCK

When the heater is turned on, pressing and holding the ⬆️ and ⬆️ buttons on the Control Panel for 3 seconds, or pressing the 🔒 button on the remote control, will lock the touch buttons on the heater's Control Panel to prevent children from accidentally operating the heater. At this point, the display will show 'CH'. In child lock mode, all buttons except the ⏻ button will be disabled on the control panel, but the remote control will remain fully functional. To cancel child lock mode, press and hold the ⬆️ and ⬆️ buttons on the Control Panel for 3 seconds again, or press the 🔒 button on the remote control.

## 6. ECO

When the heater is in operation, pressing the  button on the control panel or the **ECO** button on the remote control will activate the ECO mode, and a green ECO icon will be displayed on the screen. In ECO mode, the heater will automatically operate at the highest power level P3 (1500W) for 10 minutes, then at the lowest power level P1 (600W) for 30 minutes. The default set temperature in ECO mode is 77°F. Once the heater reaches this set temperature, it will stop heating to conserve energy.

## 7. AUTO DIM FUNCTION IF NO OPERATION

If there is no operation for 30 seconds, the brightness of the display and indicator light will reduce to 50% of the original brightness. If there is no operation for 60 seconds, the screen will automatically enter rest mode.

## SAFETY FEATURES

This product incorporates built-in safeguards that automatically shut off the device when parts overheat excessively or in case it tips over. Should the product shut down, promptly unplug it from the power outlet. Wait for approximately 30 minutes to let the overheating sensors cool down, then reconnect the device to the power source.

### If the device tips over:

Please ensure to situate the product on a flat, level, and stable surface to prevent further tipping incidents. The product will recommence operation once it has been securely repositioned.

### TIP:

Please ensure to situate the product on a flat, level, and stable surface to prevent further tipping incidents. The product will recommence operation once it has been securely repositioned.

## Maintenance

**WARNING: ALWAYS UNPLUG THE CORD BEFORE MOVING OR SERVICING. DO NOT IMMERSE THE HEATER IN WATER!**

**WARNING:** In case of malfunction or doubt, do not attempt to repair the radiator yourself. It may result in a fire hazard or electric shock.

**CLEANING:** IMPORTANT! DO NOT IMMERSE THE HEATER IN WATER! Clean the heater grills with the vacuum brush attachment on your vacuum cleaner. This will remove lint and dirt from the surface of the heater. DO NOT ATTEMPT TO DISASSEMBLE THE HEATER. Clean the body of the heater with a soft cloth.

**CAUTION:** Do not use gasoline, benzene, thinner, harsh cleaners, etc., as they will damage the heater. NEVER USE ALCOHOL OR SOLVENTS.

**STORAGE:** Store the heater with these instructions in a cool, dry place.

## Troubleshooting

Problem	Possible Cause	Solution
The heater turns on but does not heat up.	The set temperature is lower than the ambient temperature.	Adjust the set temperature to be higher than the ambient temperature.
Frequent clicking noise can be heard.	This is the sound of the relay. The heater may be turning on and off as it reaches the set temperature.	Consider raising the set temperature slightly to prevent the heater from frequently turning on and off, which can cause noise.
	The heater may have been tilted or tipped over, leading to uneven distribution of oil internally.	Place the heater on a flat surface and allow it to rest undisturbed for approximately 10 minutes before using it again. This period of rest should allow the oil to redistribute evenly within the device, subsequently eliminating the clicking sound.
The remote control is not working.	The distance may be too far.	Please use the remote control within its correct range of 6 meters.
	The insulating protective film on the remote control's battery may not have been removed.	Remove the insulating protective film from the battery.
The indoor temperature does not reach the heater's set temperature.	Hot air is flowing. If the room is too large or the room air flow is too fast, it can affect the heating effect.	It is recommended to use the heater in a suitably enclosed room.
	The heater's temperature sensor may be covered.	The sensor of the heater is at the bottom. Please check if there is any object covering the surface of the sensor.
The display shows code E1 or E2.	There is a malfunction with the temperature sensor.	Please contact Garfeur Support.

## Warranty and Service

Thank you for choosing the Garfeur Electric Oil-filled Heater. This product is covered by a 12-month warranty for product and labor from the date of its original purchase.

### **The warranty will not apply in the following cases:**

1. Accidents, misuse, or repairs performed by unauthorized personnel.
2. Any unit that has been tampered with or used for commercial purposes.
3. Normal wear and tear of wearable parts.
4. Use of force or damage caused by external influences.
5. Damage caused by non-observance of the User Manual, e.g., connection to an unsuitable mains supply or non-compliance with the instructions.
6. Partially or completely dismantled appliances.
7. Defects caused by or resulting from damages from shipping or from repairs, service, or alterations to the product or any of its parts that have been performed by a repair person not authorized by Garfeur.

We can only provide after-sales service for products that are sold by Garfeur or Garfeur authorized retailers and distributors. If you have purchased your unit from a different place, please contact your seller for return and warranty issues.

\*Please have your invoice and order ID ready before contacting Customer Support.