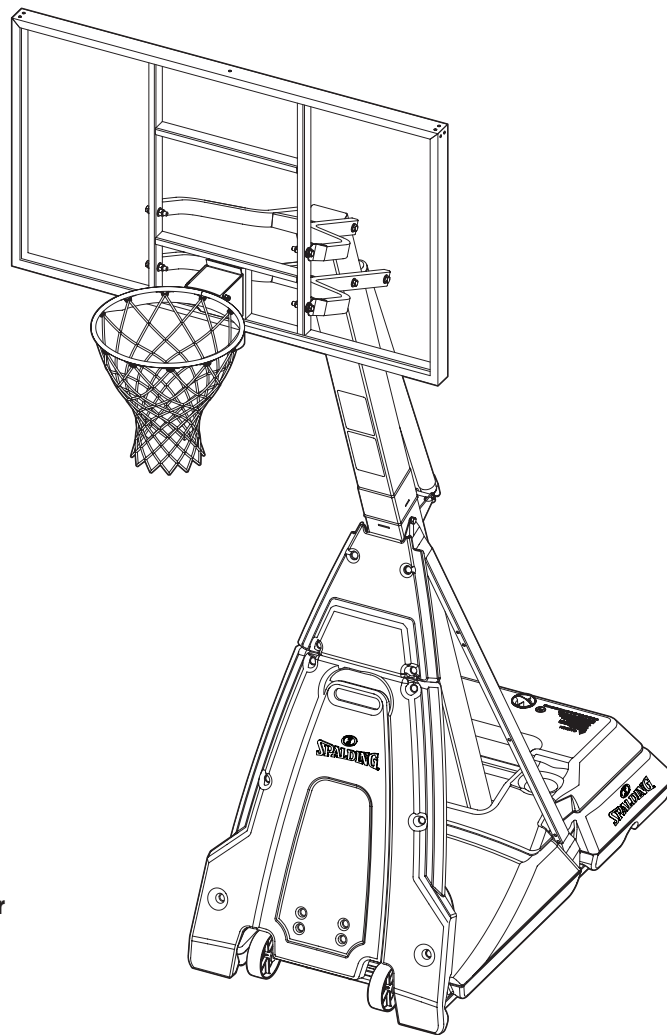


Model Number:
(found on product box)



PORTABLE BASKETBALL SYSTEM

Owner's Manual



Toll-Free Customer Service Number

U.S.: 1-800-558-5234

Canada: 1-800-284-8339

Europe: +353 51 379777

Australia: 1300 367 582

www.spalding.com

WARNING



READ AND UNDERSTAND THE OPERATOR'S MANUAL BEFORE USING THIS UNIT. FAILURE TO FOLLOW THE OPERATING INSTRUCTIONS COULD RESULT IN INJURY OR DAMAGE TO PROPERTY.

Contents

Contents	2	Assemble the Base	11
Before You Begin	2	Assemble the Wheel Carriage	17
Contact	2	Elevator Assembly	21
Warranty	3	Assemble the Upper Elevator	23
Safety Information	3	Assemble the Goal	28
Test-Fit Close Tolerance Bolts	4	Install The Stadium Pad	33
Package Contents	4	Secure The Assembled Unit for Use	35
Tools & Materials for Assembly	9	Operation	37
Assembly Overview	10	Parts List	38



Questions or Missing Parts?

DON'T go back to store!

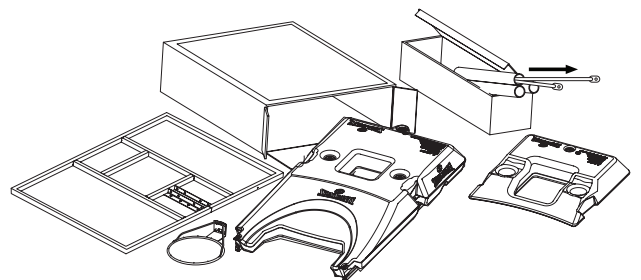
Call TOLL-FREE Customer Service Number listed on the front page!



Before You Begin

READ AND UNDERSTAND THE OPERATOR'S MANUAL BEFORE USING THIS UNIT.

- Remove **ALL** contents from boxes.
- Be sure to check **INSIDE** pole sections; hardware and additional parts are packed inside.
- This manual, accompanied by a sales receipt, should be saved and kept on hand as a convenient reference, as it contains important information about your model.



WARNING

FAILURE TO FOLLOW OPERATING INSTRUCTIONS COULD RESULT IN INJURY OR PROPERTY DAMAGE.

Contact

Questions or missing parts? Do **NOT** go back to the store!

Email:	warrantyservice@custserv.fotlinc.com
Customer Service Toll-Free Number:	1-800-558-5234
Mailing Address:	Spalding PO Box 90015 Bowling Green, KY 42102

Warranty

For the very latest Basketball System Warranty information, please visit www.Spalding.com or call Spalding Customer Service at **1-800-558-5234**.

Safety Information

WARNING

FAILURE TO FOLLOW THESE SAFETY INSTRUCTIONS MAY RESULT IN SERIOUS INJURY OR PROPERTY DAMAGE AND WILL VOID THE WARRANTY.

Owner must ensure all players know and follow these rules for safe operation of the system.

To ensure safety, do not attempt to assemble this system without following the instructions carefully. Check the entire box and inside all of the packing material for parts and/or additional instruction material. **Before beginning assembly, read the instructions and identify parts using the hardware identifier and parts list in this document.** Proper and complete assembly, use, and supervision are essential for proper operation and to reduce the risk of accident or injury. A high probability of serious injury exists if this system is not installed, maintained, and operated properly.

- If using a ladder during assembly, use extreme caution.
- Check the base regularly for leakage. Slow leaks could cause the system to tip over unexpectedly.
- Seat the pole sections properly (if applicable). Failure to do so could allow the pole sections to separate during play and/or during transport of the system.
- Climate, corrosion, or misuse could result in system failure.
- If technical assistance is required, contact Customer Service.
- Minimum operational height is 6'-6" (1.98 m) to the bottom of backboard.

Most injuries are caused by misuse and/or not following instructions.

Use caution when using this unit.

NOTICE

- **Adult assembly required.**
- Dispose of **ALL** packaging materials promptly.
- As with all products, periodically inspect for loose, small parts.
- Assembled unit **MUST** be filled with sand or water at **ALL** times.
- **ALL** basketball systems, including those used for DISPLAYS, **MUST** be assembled and installed according to instructions.
- Failure to follow instructions could result in **SERIOUS INJURY**.
- It is **NOT** acceptable to devise a makeshift support system.

NOTE

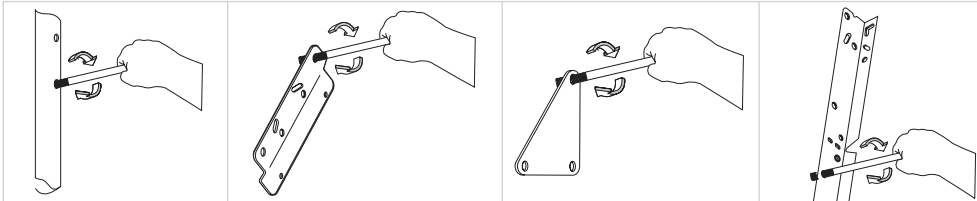
Backboard style will vary.

Test-Fit Close Tolerance Bolts

To ensure optimal playability of the backboard system, a close tolerance fit between the elevator components and hardware is required. Test-fit large bolts into large holes of elevator tubes, backboard brackets, and triangle plates. Carefully rock them in a circular motion to remove any excess paint from holes, if necessary.

NOTE

Not all items pictured are included with every model.

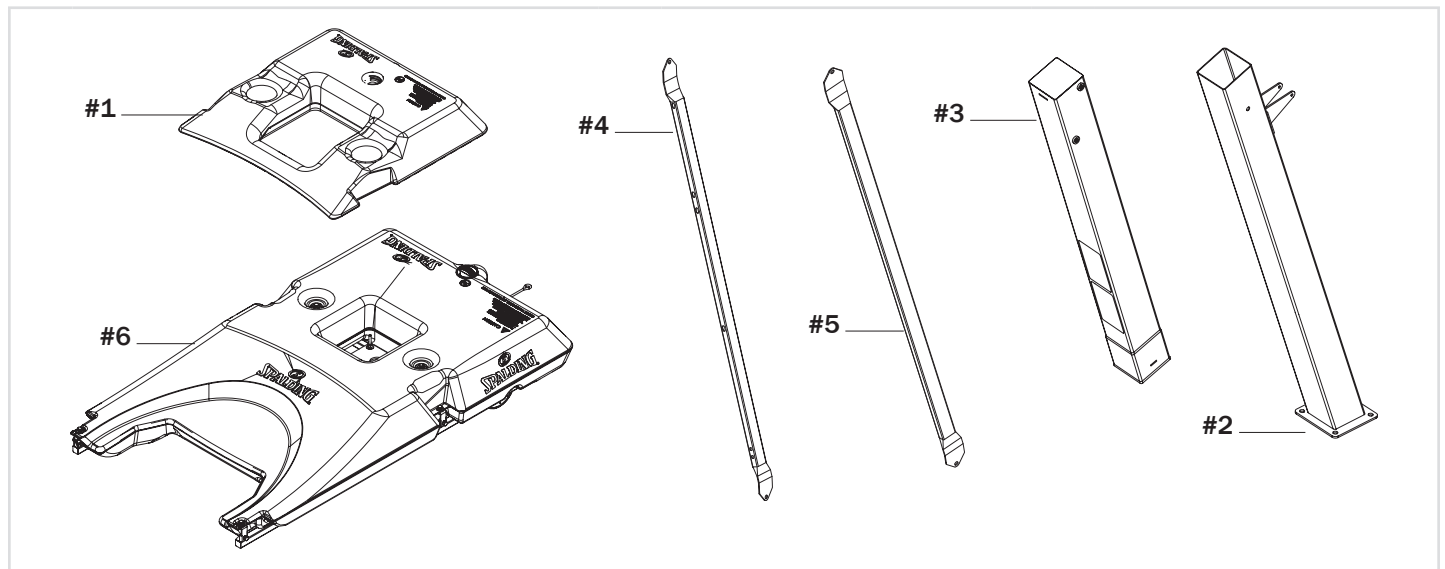


Package Contents

Check the contents of each kit and other parts to ensure that all components are present. Keep the kit hardware in the labeled bag as they will be used in different assembly steps.

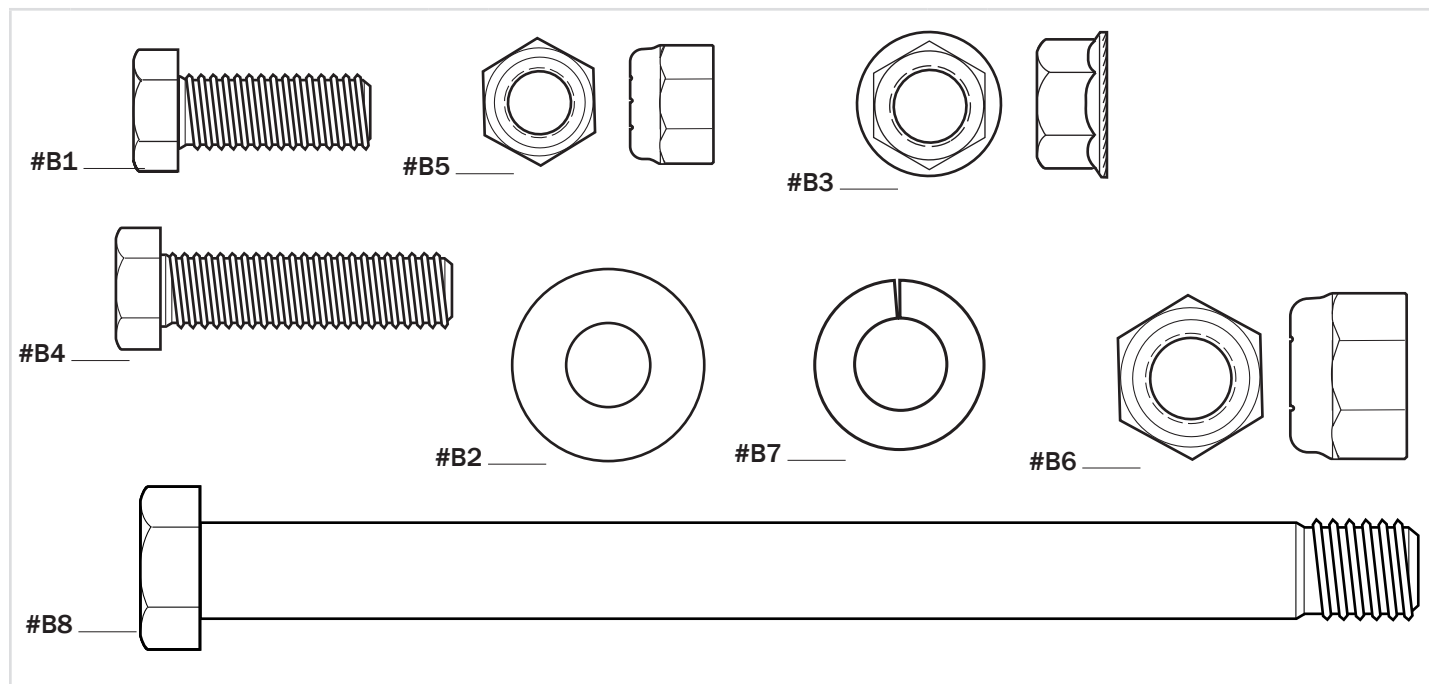
See "Parts List" on page 38 for a complete list of replacement part numbers.

BASE ASSEMBLY



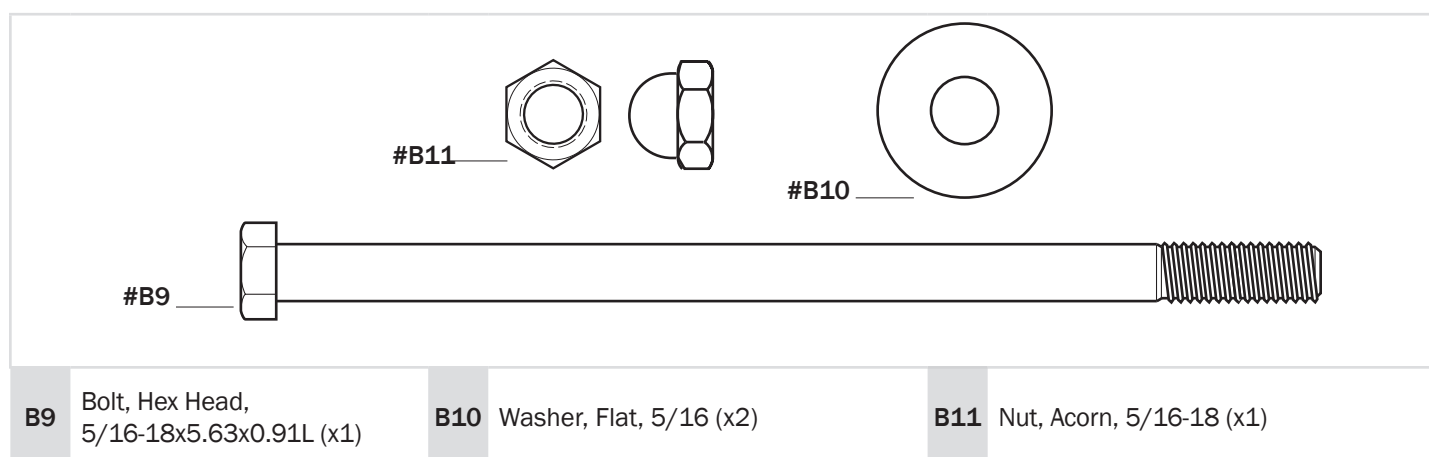
1	Top Base (x1)	2	Bottom Pole Section (x1)	3	Top Pole Section (x1)
4	Strut, Front, 62.75" Long, with Holes (x2)	5	Strut, Rear, 62.75" Long (x2)	6	Bottom Base (x1)

KIT 1 - BASE ASSEMBLY - BA00004



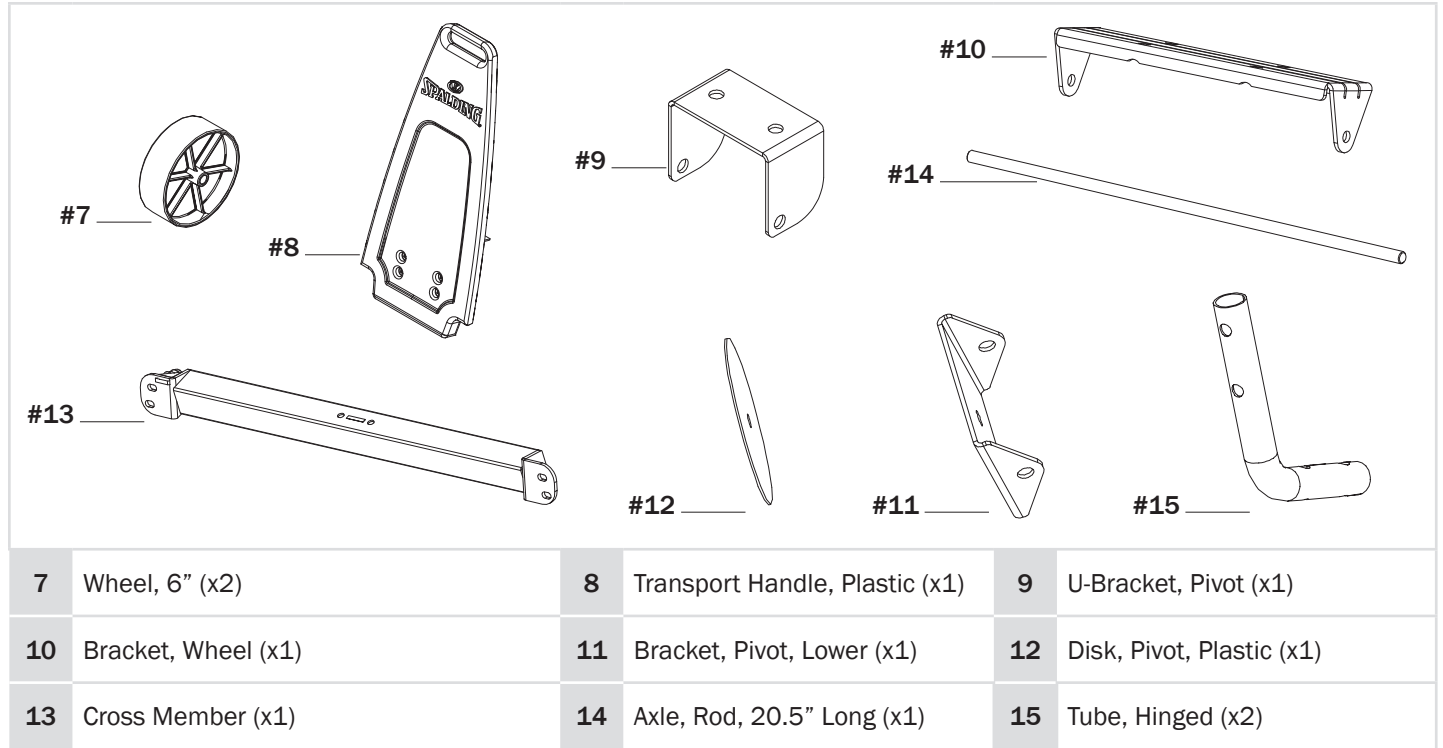
B1	Bolt, Hex Head, 3/8-16x1 L (x4)	B2	Washer, Flat, 3/8 x 1 OD (x12)	B3	Nut, Hex-Flange, 3/8-16 (x2)
B4	Bolt, Hex Head, 3/8-16x1.5L (x2)	B5	Lock-nut, Nylon Insert, 3/8-16 (x4)	B6	Lock-nut, Nylon Insert, 1/2-13 (x1)
B7	Lock-washer, 0.375 ID x 0.675 OD (x4)	B8	Bolt, Hex Head, 1/2-13x6-5/16L (x1)		

KIT 2 - POLE ASSEMBLY - 208616

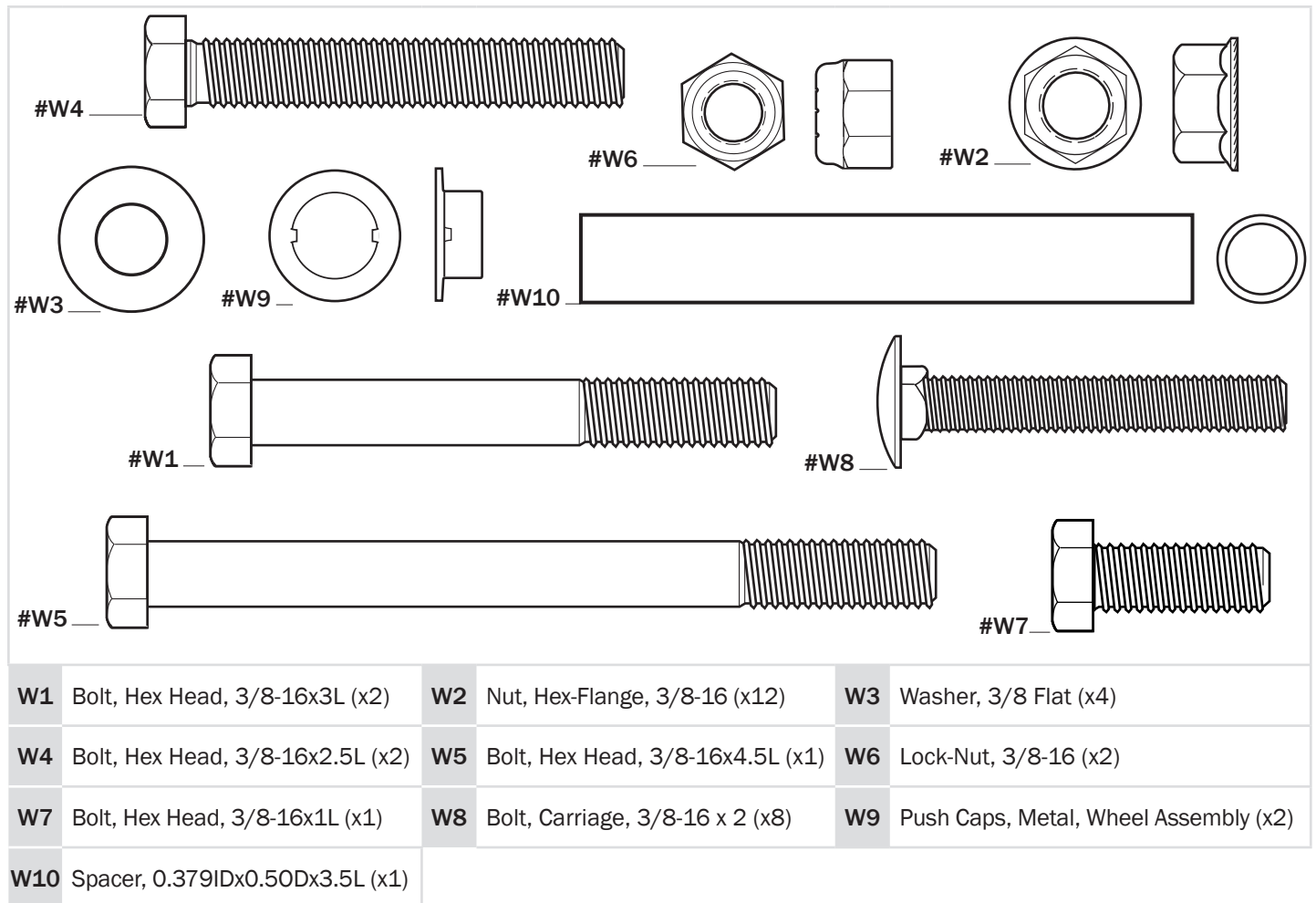


B9	Bolt, Hex Head, 5/16-18x5.63x0.91L (x1)	B10	Washer, Flat, 5/16 (x2)	B11	Nut, Acorn, 5/16-18 (x1)
-----------	---	------------	-------------------------	------------	--------------------------

WHEEL TO BASE ASSEMBLY



KIT 3 - WHEEL ASSEMBLY - BA00005



ELEVATOR ASSEMBLY

16	Handle, Screw-Jack (x1)	17	Screw Jack (x1)	18	Sleeve, Screw Jack (x1)
19	Cap, Screw Jack (x1)	20	Pin, Handle (x1)		

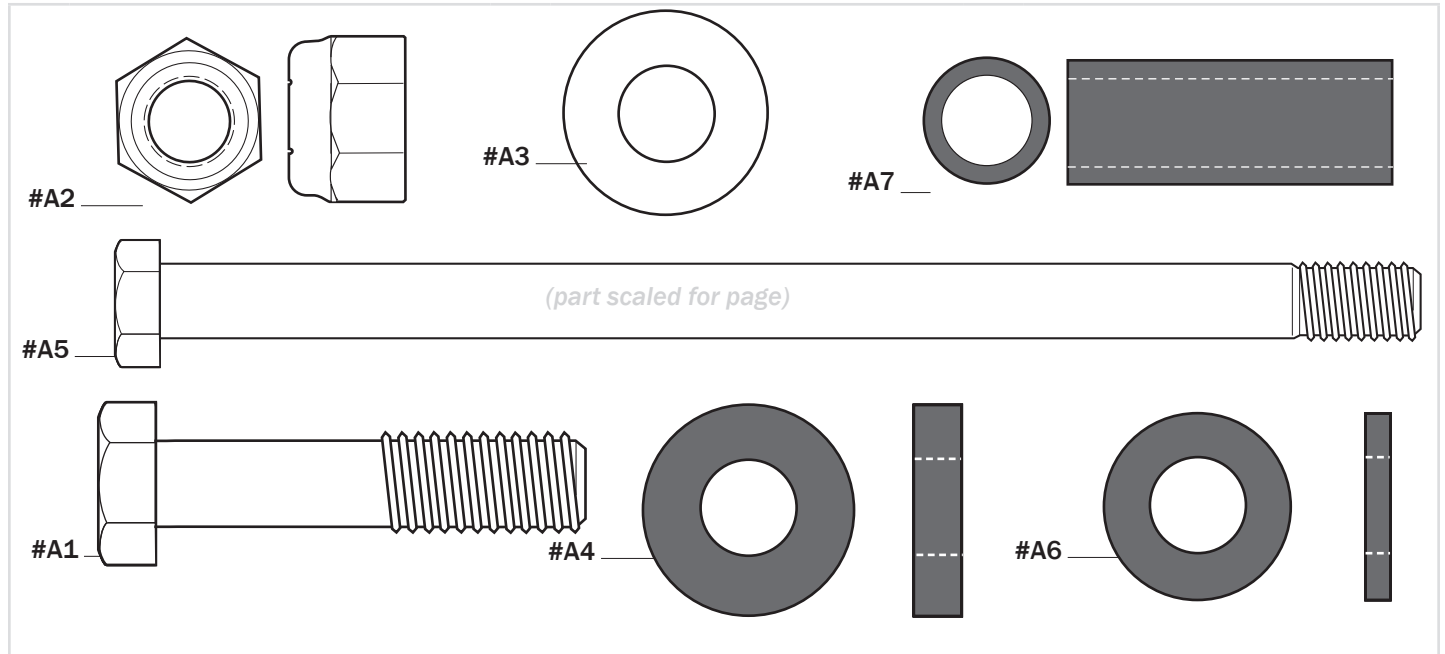
KIT 4 - ELEVATOR TO POLE ASSEMBLY - EL00002

E1	Bolt, Hex-Head, 5/16-18x2.75L (x1)	E2	Lock-Nut, Nylon Insert, 5/16-18 (x1)
-----------	------------------------------------	-----------	--------------------------------------

BACKBOARD ASSEMBLY

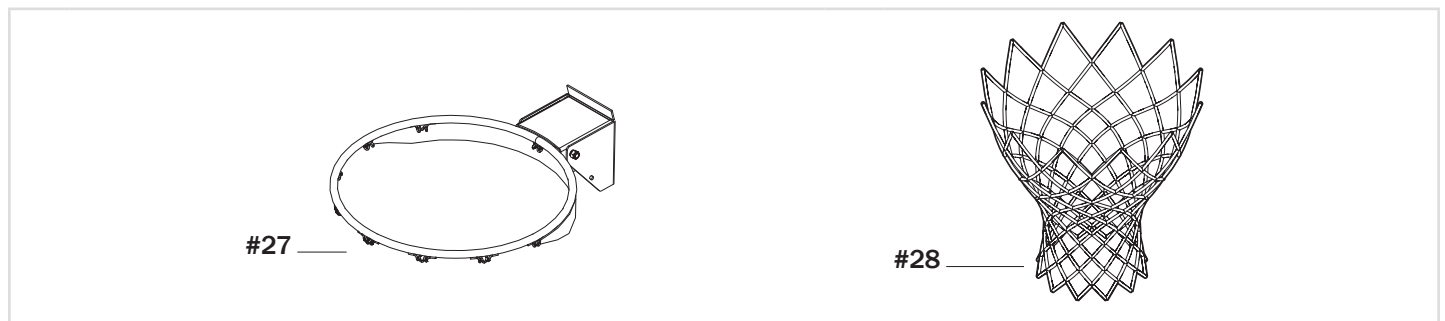
21	Elevator Tube, Upper (x1)	22	Elevator Tube, Lower (x1)	23	Backboard (x1)
24	Plug Cap (x2)	25	Spacer, Steel 0.50IDx0.8750Dx0.465L (x4)	26	Pad, Foam (x1)

KIT 5 – BACKBOARD – AR00004



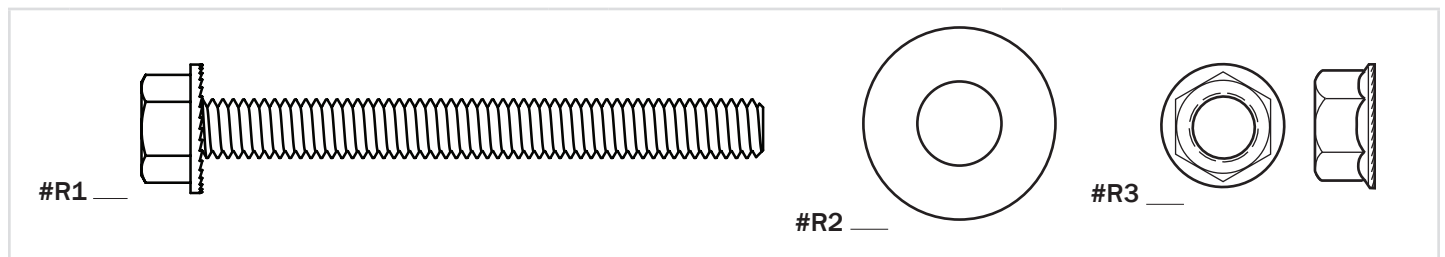
A1	Bolt, Hex-Head, 1/2-13x2.25L (x4)	A2	Nut, Nylock, 1/2-13 (x7)	A3	Washer, Flat, 1.080D (x14)
A4	Bushing, Plastic, 0.50IDx0.25L (x4)	A5	Bolt, Hex-Head, 1/2-13x8.4L (x3)	A6	Bushing, Plastic, 0.50IDx0.13L (x4)
A7	Spacer, Plastic, Black 1.7 L (x2)				

GOAL ASSEMBLY



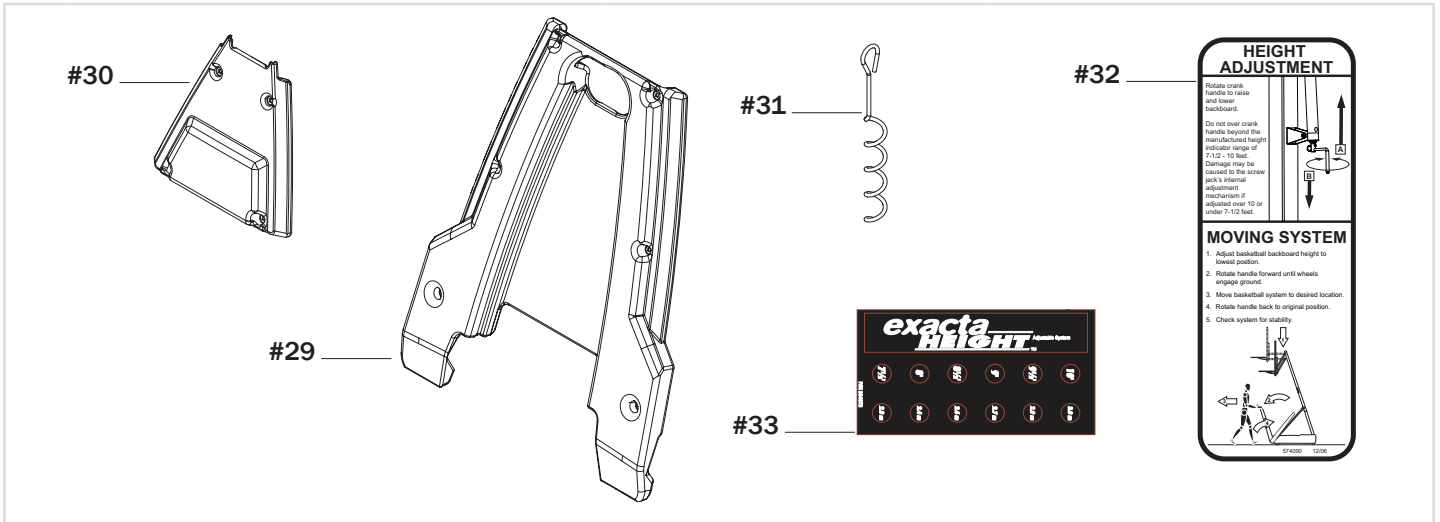
27	Rim (x1)	28	Net (x1)
-----------	----------	-----------	----------

KIT 6 – GOAL – 222700



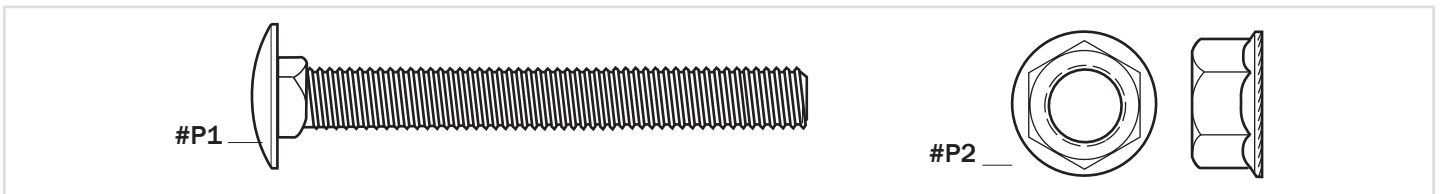
R1	Bolt, Hex-Flange, 5/16-18x3L (x4)	R2	Washer, 3/8, 1 OD (x4)	R3	Nut, Hex-Flange, 5/16-18 (x4)
-----------	-----------------------------------	-----------	------------------------	-----------	-------------------------------

STADIUM PAD ASSEMBLY



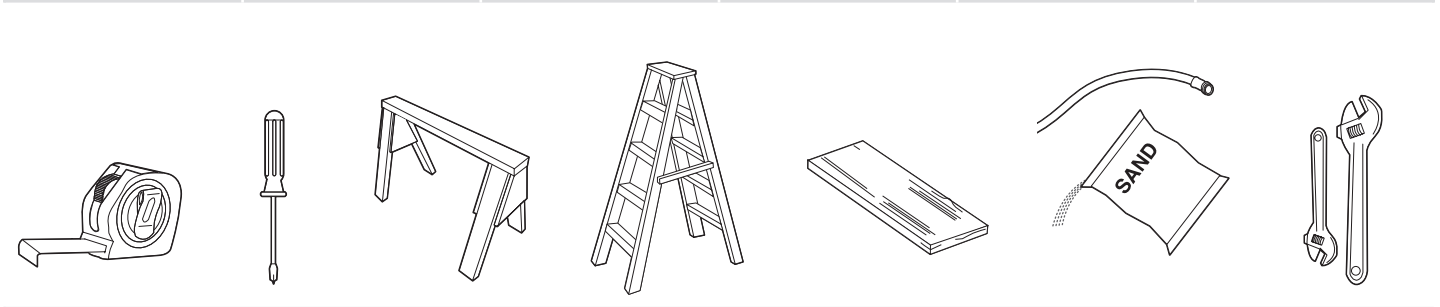
29	Stadium Pad, Bottom (x1)	30	Stadium Pad, Top (x1)	31	Ground Stake (x1)
32	Label, Height Adjustment and Moving (x1)	33	Label, Height Indicator		

KIT 7 – STADIUM PAD HARDWARE – AC00002



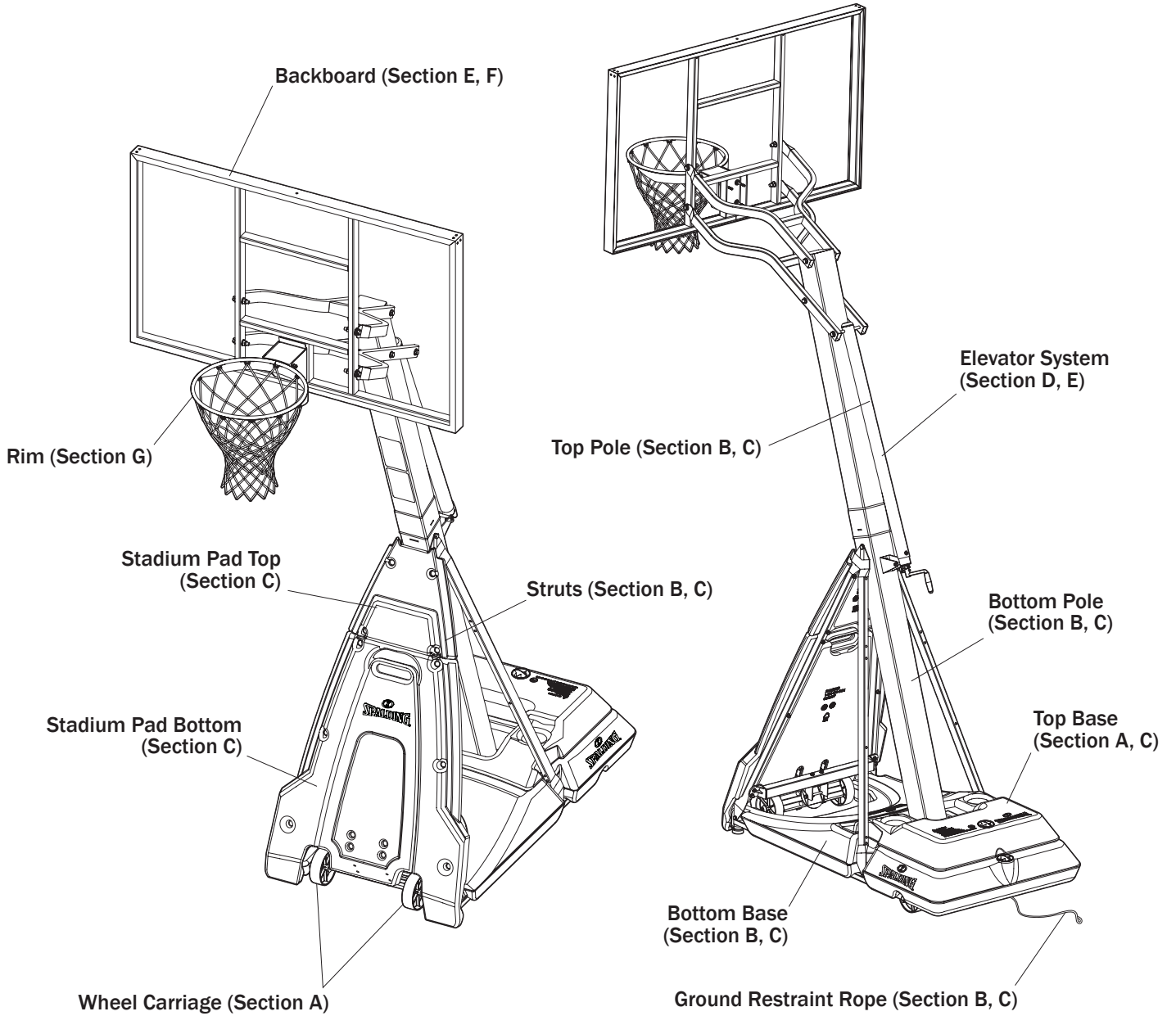
P1	Bolt, Carriage, 3/8-16x2.75L (x10)	P2	Nut, Hex-Flange, 3/8-16 (x10)
----	------------------------------------	----	-------------------------------

Tools & Materials for Assembly



Tape Measure	Phillips Screwdriver #3	Sawhorse	Step Ladder (8 ft.)	Scrap Wood Board	Sand/Garden Hose	(OPTIONAL) Adjustable Wrenches
--------------	-------------------------	----------	---------------------	------------------	------------------	--------------------------------

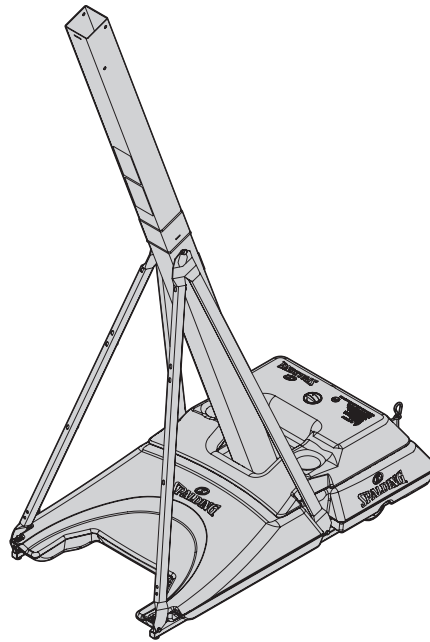
Assembly Overview



Assemble the Base

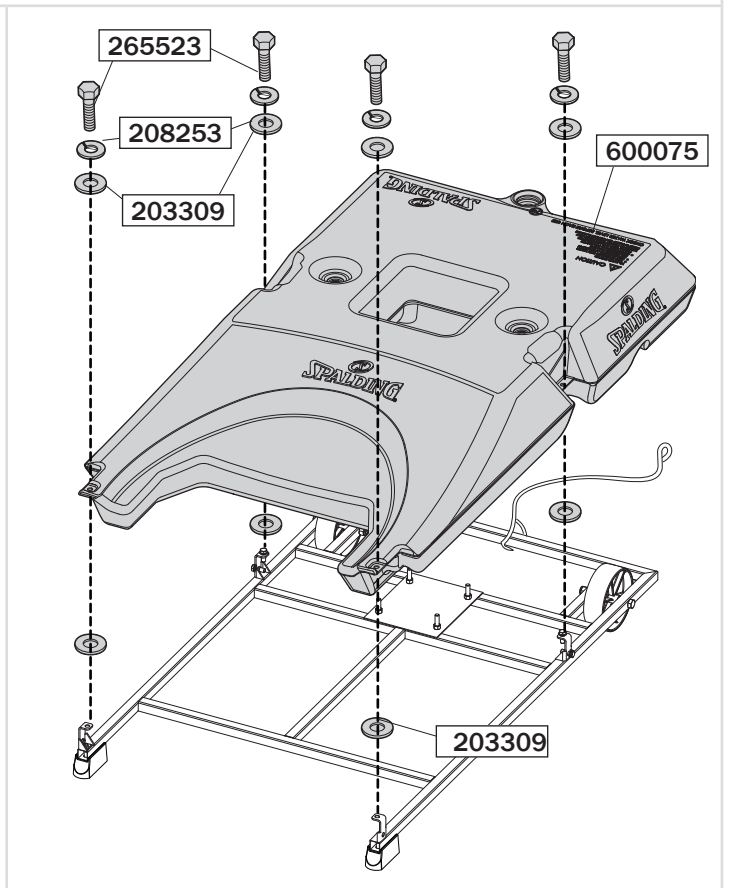
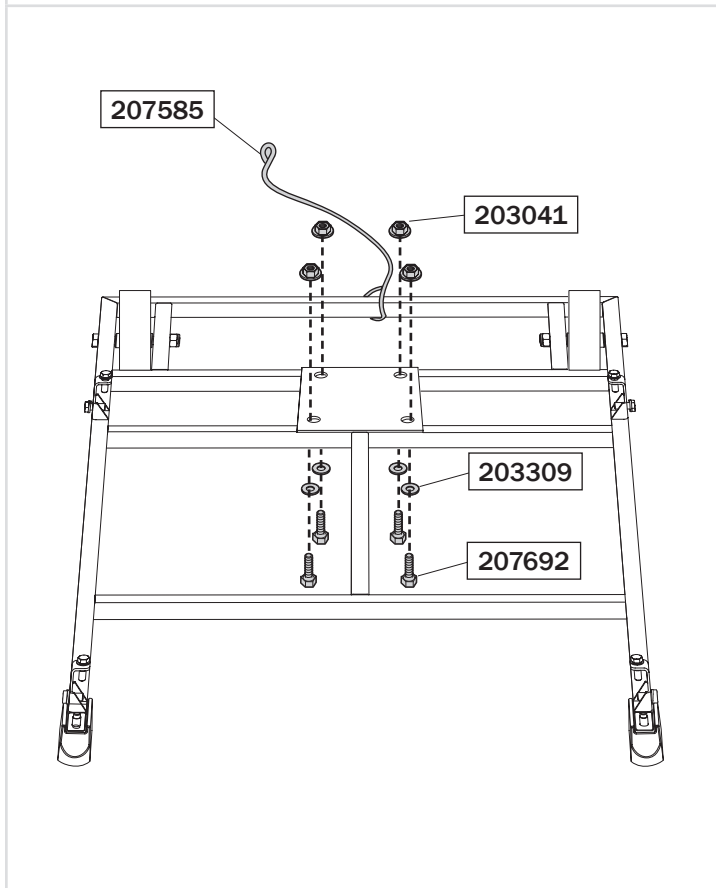
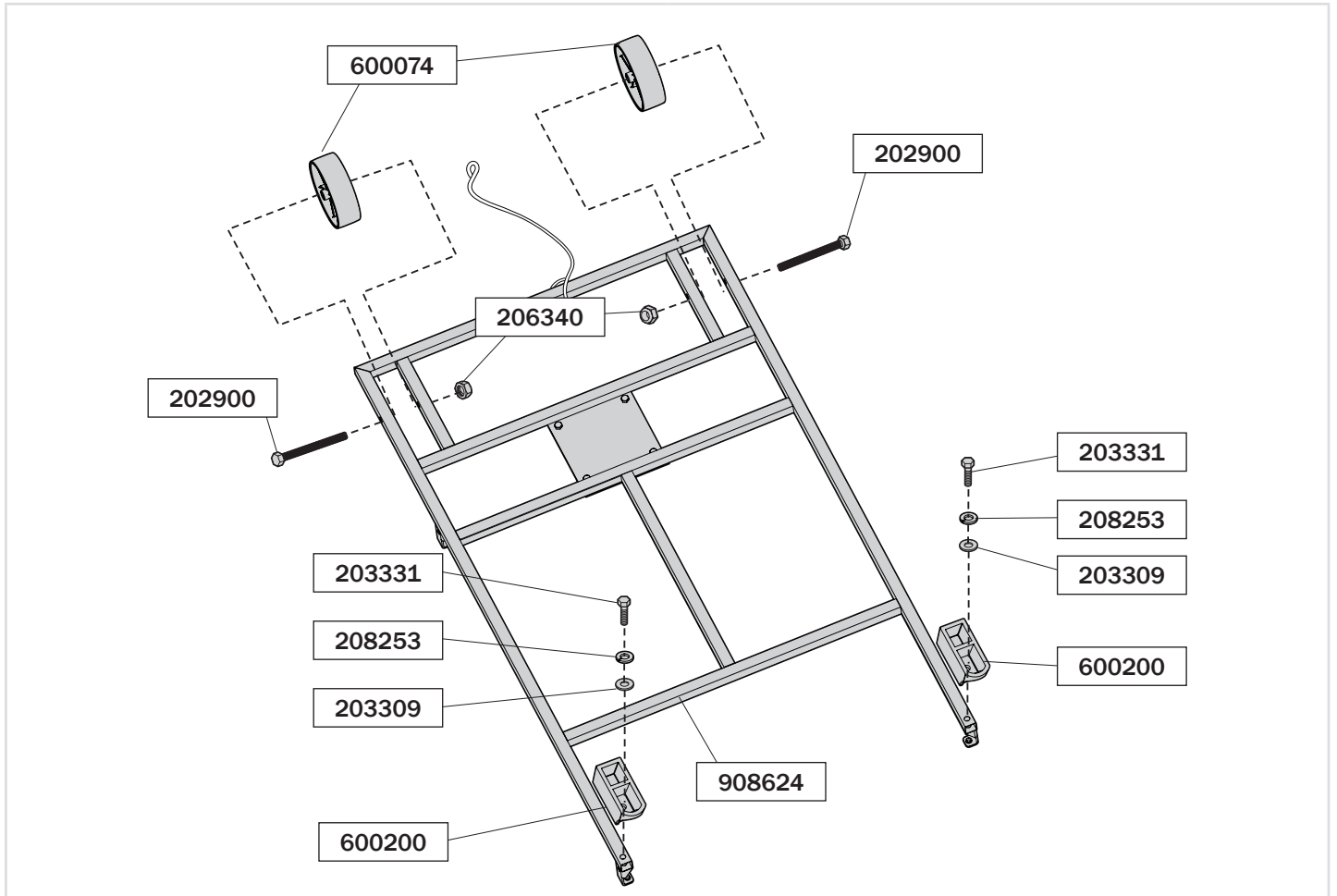
Required Parts:

- Kit 1
- Kit 2
- Scrap Wood Board
- 1/2", 9/16", 3/4" Socket Wrench or Wrench
- Socket Extension
- Mallet

Completed Base Assembly:**⚠ WARNING ⚠**

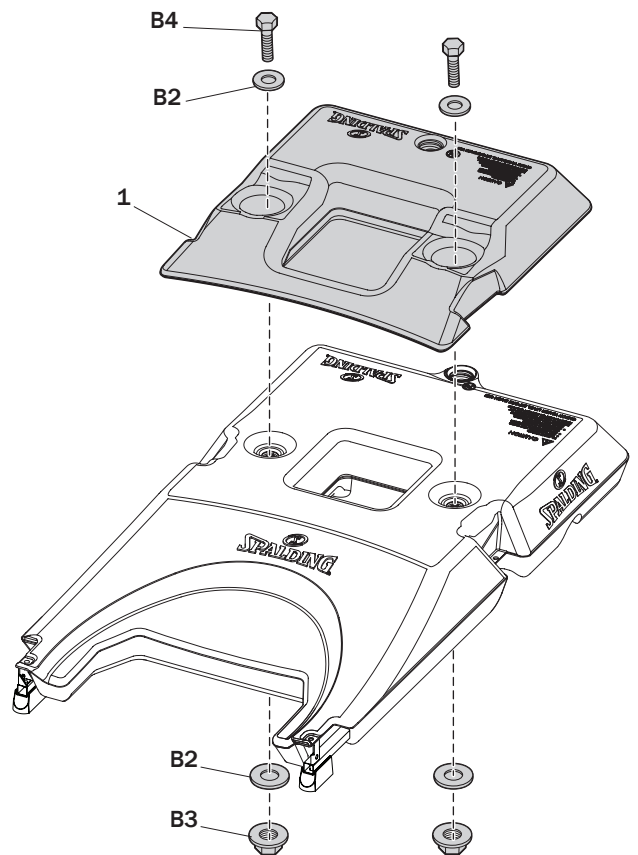
The following components are factory pre-assembled. CHECK THE PRE-ASSEMBLED AREAS FOR TIGHTNESS. If any parts are missing or damaged please contact our customer service department to receive replacement parts (see customer service information).

PRE-ASSEMBLED COMPONENTS



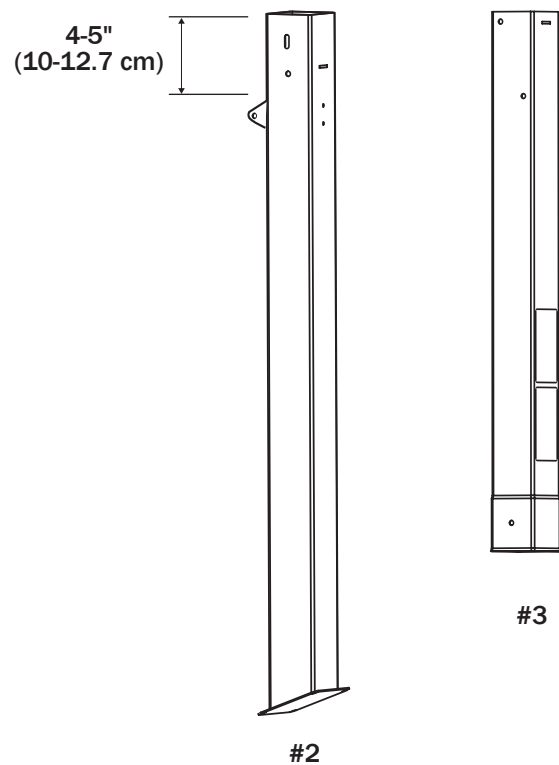
A ASSEMBLE THE BASE

1. Attach the top base (1) to the bottom base using the bolts (B4), washers (B2), and nuts (B3).



B ASSEMBLE THE POLE

1. Identify the top (3) and bottom (2) pole sections.
2. Mark 4-5" (10-12.7 cm) from the top of the bottom (2) pole section.



B ASSEMBLE THE POLE

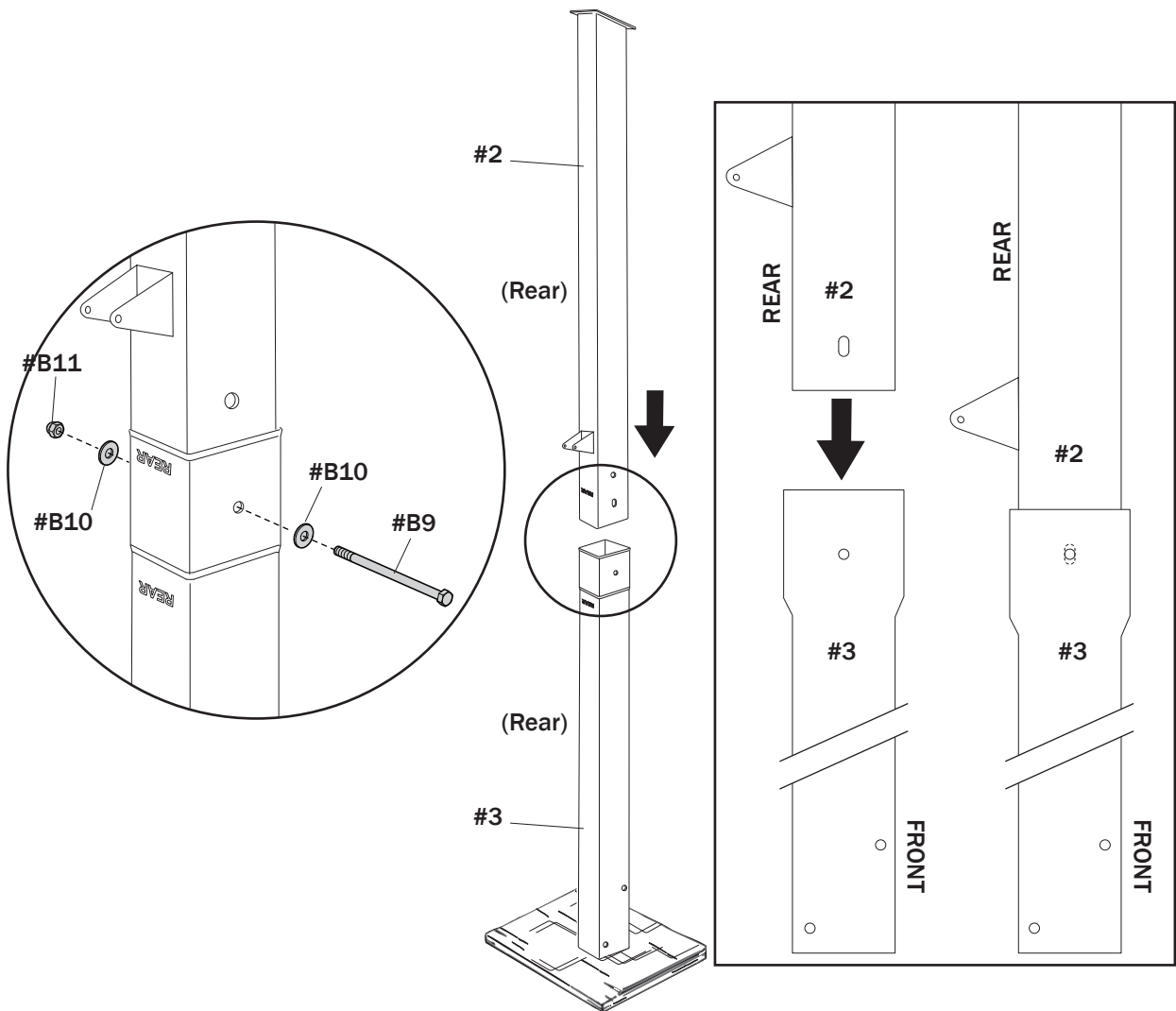
⚠ CAUTION ⚠

WHEN PROPERLY POUNDED TOGETHER, THE POLE SECTIONS SHOULD HAVE A **4-5" (10-12.7 CM)** OVERLAP. IF MINIMUM POLE ENGAGEMENT OVERLAP OF **4-5" (10-12.7 CM)** CANNOT BE ACHIEVED !! STOP !! DO NOT PROCEED TO THE NEXT STEP! - CALL SPALDING CUSTOMER SERVICE AT **1-800-558-5234** FOR ASSISTANCE.

⚠ IMPORTANT ⚠

NOTE THE ORIENTATION OF EACH POLE SECTION. POSITION EACH POLE SECTION SO THAT THE FRONT AND REAR FACES MATCH DIRECTION WHEN ASSEMBLED.

3. Align the top (3) pole section with the bottom (2) pole section and slide together.
4. Bounce the assembled sections on a scrap wood board until the overlap reaches the marked line.
5. Secure the pole sections together using the bolt (B9), washers (B10), and nut (B11).



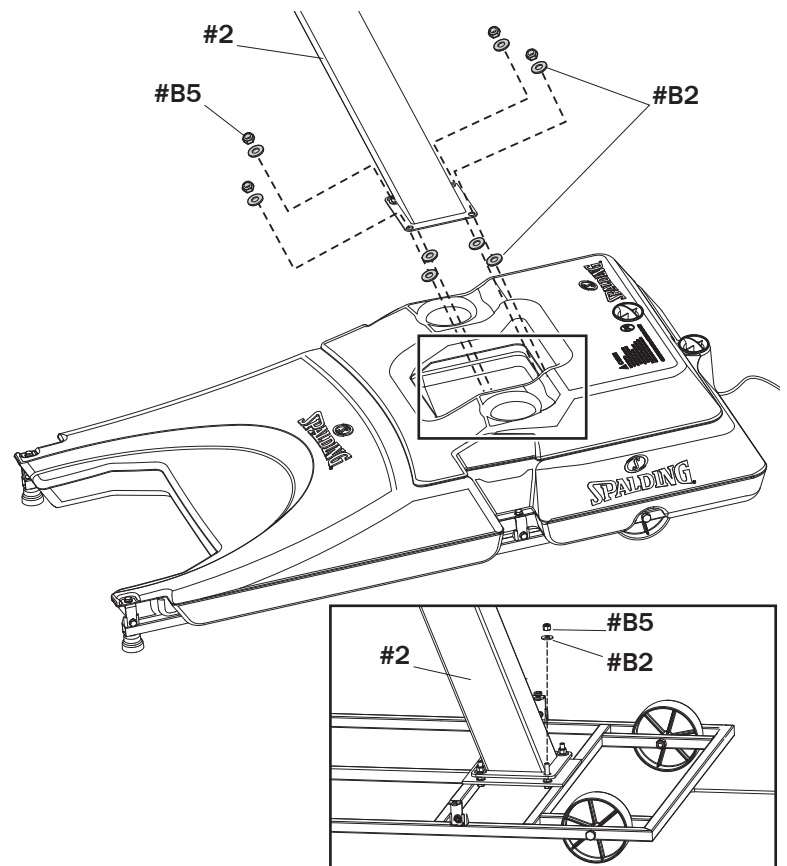
C INSTALL THE POLE ONTO THE BASE

1. Place the washers (B2) onto the pre-installed bolts.
2. Insert the bottom pole (2) onto the pre-installed bolts through the holes in the bottom pole.
3. Secure the pole assembly to the pole mounting plate using the washers (B2) and nuts (B5).



WARNING

TWO PEOPLE ARE REQUIRED FOR THIS PROCEDURE. FAILURE TO FOLLOW THIS WARNING COULD RESULT IN SERIOUS INJURY AND/OR PROPERTY DAMAGE.

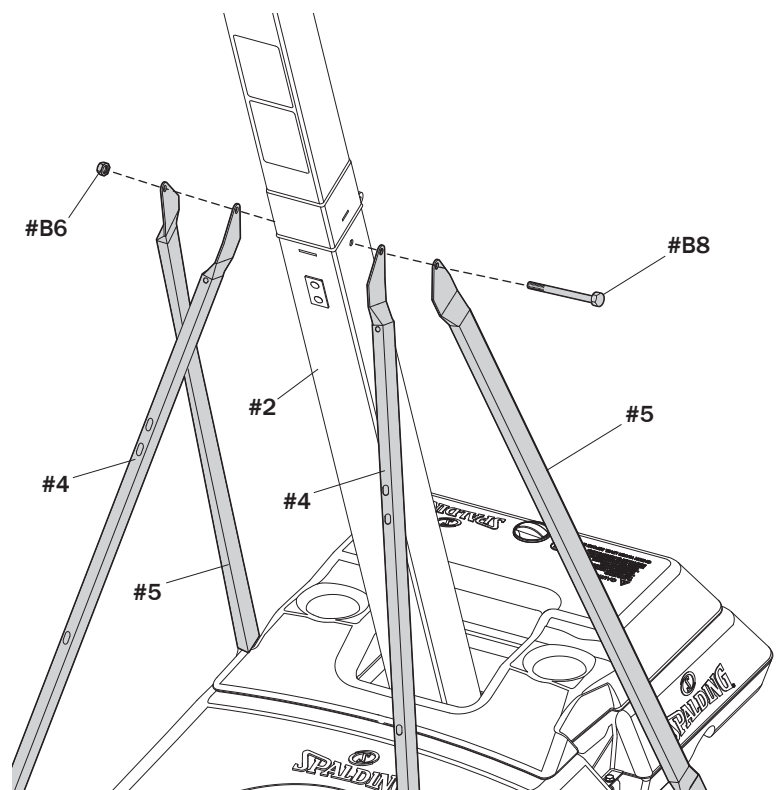


4. Secure the base struts (4 and 5) to the bottom pole (2) using the bolt (B8) and nut (B6).



IMPORTANT

DO NOT TIGHTEN COMPLETELY.

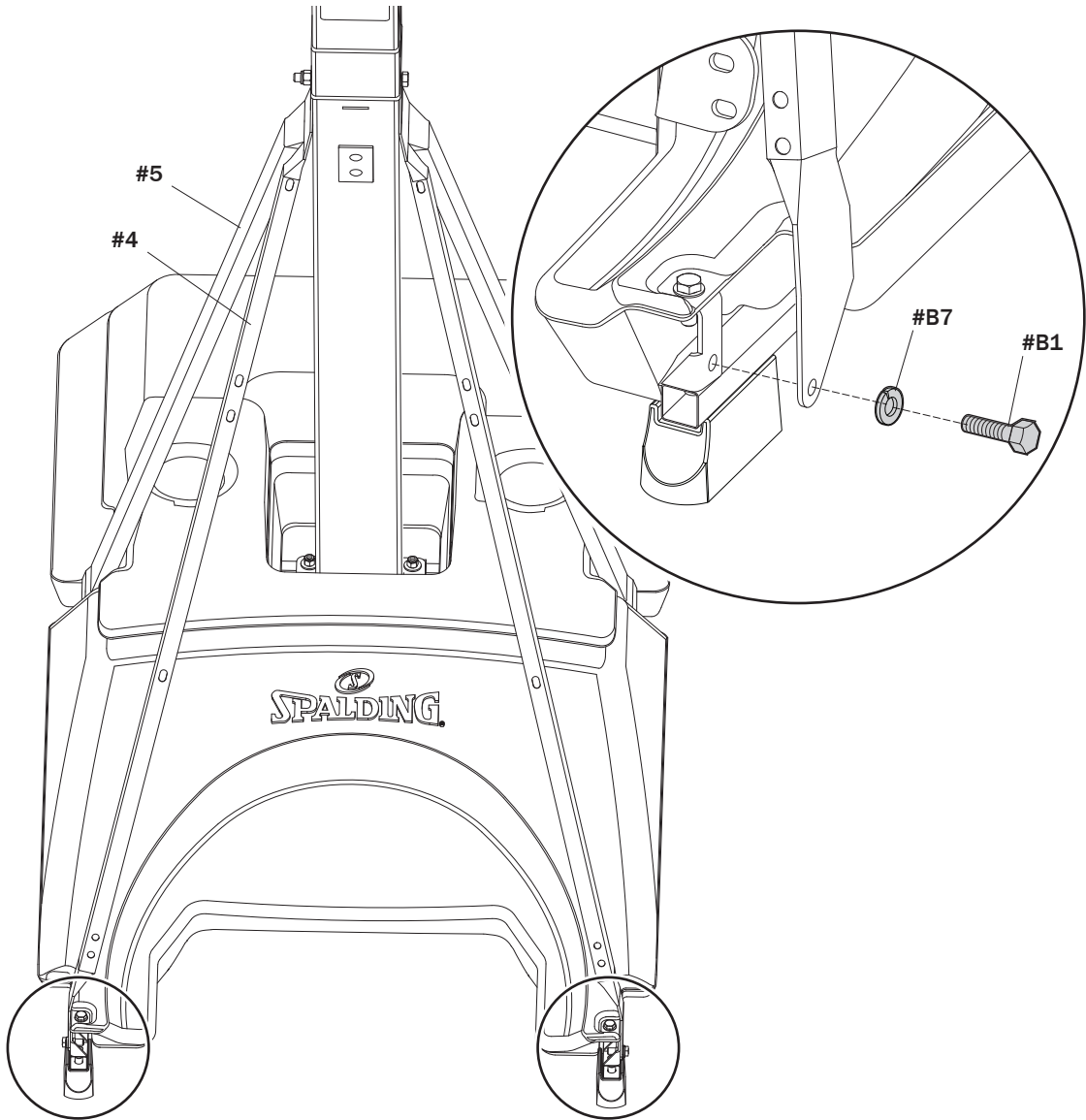


C INSTALL THE POLE ONTO THE BASE

5. Rotate the non-secured ends of the base struts (4 and 5) to align with the mounting holes in the base.
6. Secure the ends of the base struts (4 and 5) to the base frame using bolts (B1) and lock washers (B7).

⚠ IMPORTANT ⚠

TIGHTEN ALL COMPONENTS COMPLETELY.

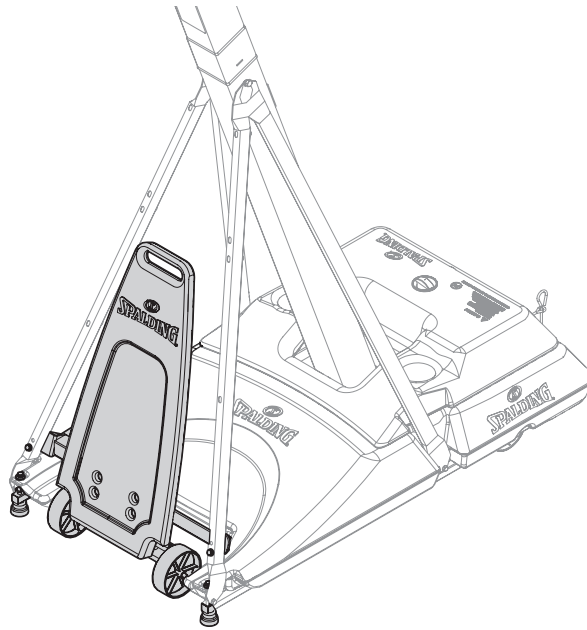


Assemble the Wheel Carriage

Required Parts:

- Kit 3
- Scrap Wood Board
- 9/16" Socket Wrench or Wrench
- Mallet

Completed Wheel Carriage Assembly:



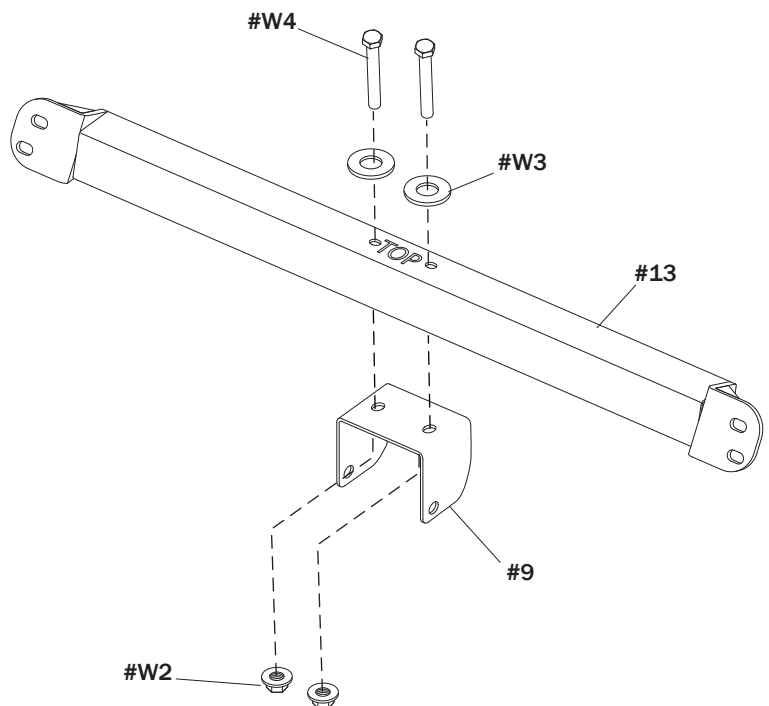
D PREPARE THE BASE FOR THE WHEELS

1. Attach the u-bracket (9) to the cross member (13) using the bolts (W4), washers (W3), and nuts (W2).



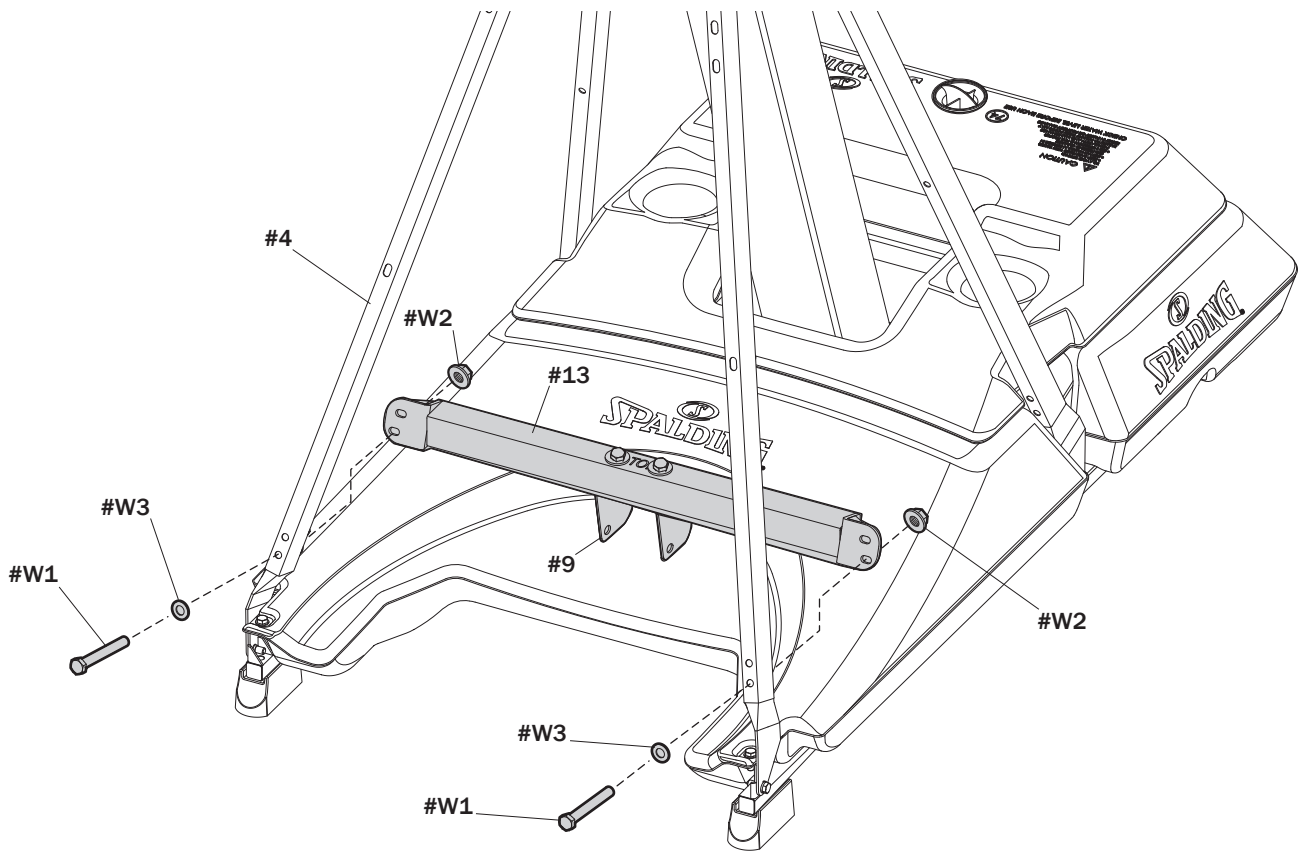
IMPORTANT

NOTE THE ORIENTATION OF THE BRACKET.



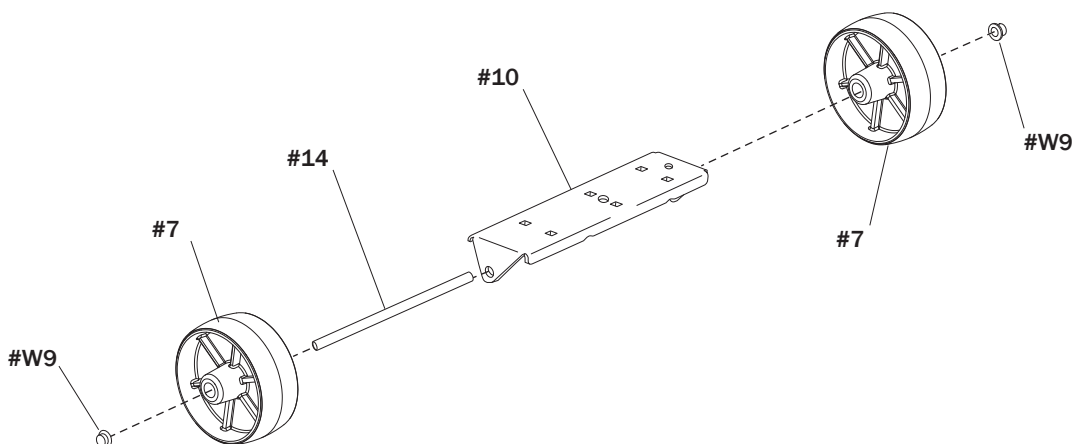
D PREPARE THE BASE FOR THE WHEELS

2. Secure the cross member (13) to the front struts (4) using the bolts (W1), washer (W3), and nuts (W2) through the bottom set of holes.



E ASSEMBLE THE WHEELS

1. Insert the axle (14) through the wheel bracket (10).
2. Secure the wheels (7) to the axle (14) using the push caps (W9).
3. Tap the push caps (W9) onto the axle with a hammer or mallet.

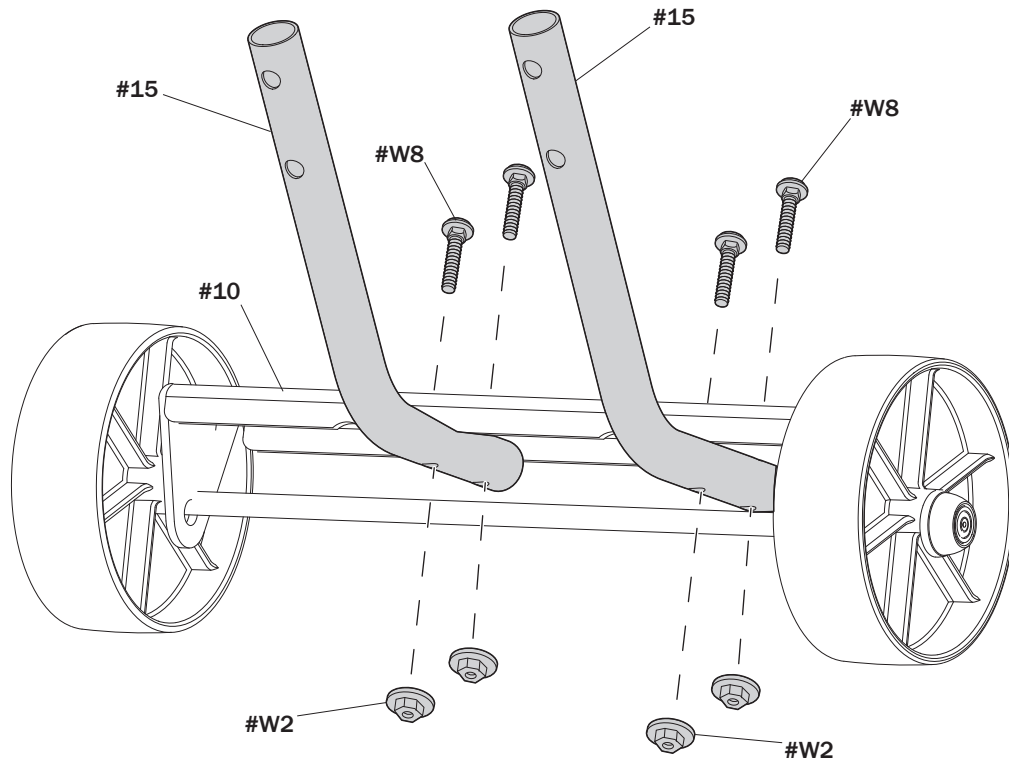


E ASSEMBLE THE WHEELS

4. Secure the hinge tubes (15) to the wheel bracket (10) using the bolts (W8) and nuts (W2).

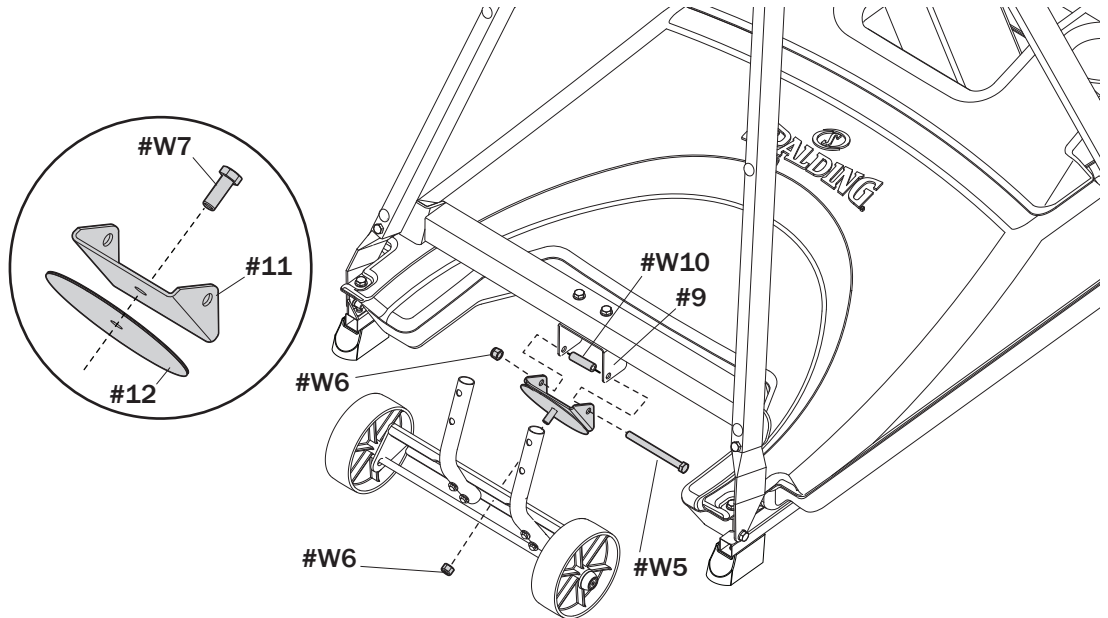
⚠ IMPORTANT ⚠

DO NOT OVERTIGHTEN. NOTE THE ORIENTATION OF THE TUBES (15) WITH THE SHORT ENDS UNDER THE WHEEL BRACKET.



F INSTALL THE WHEEL ASSEMBLY

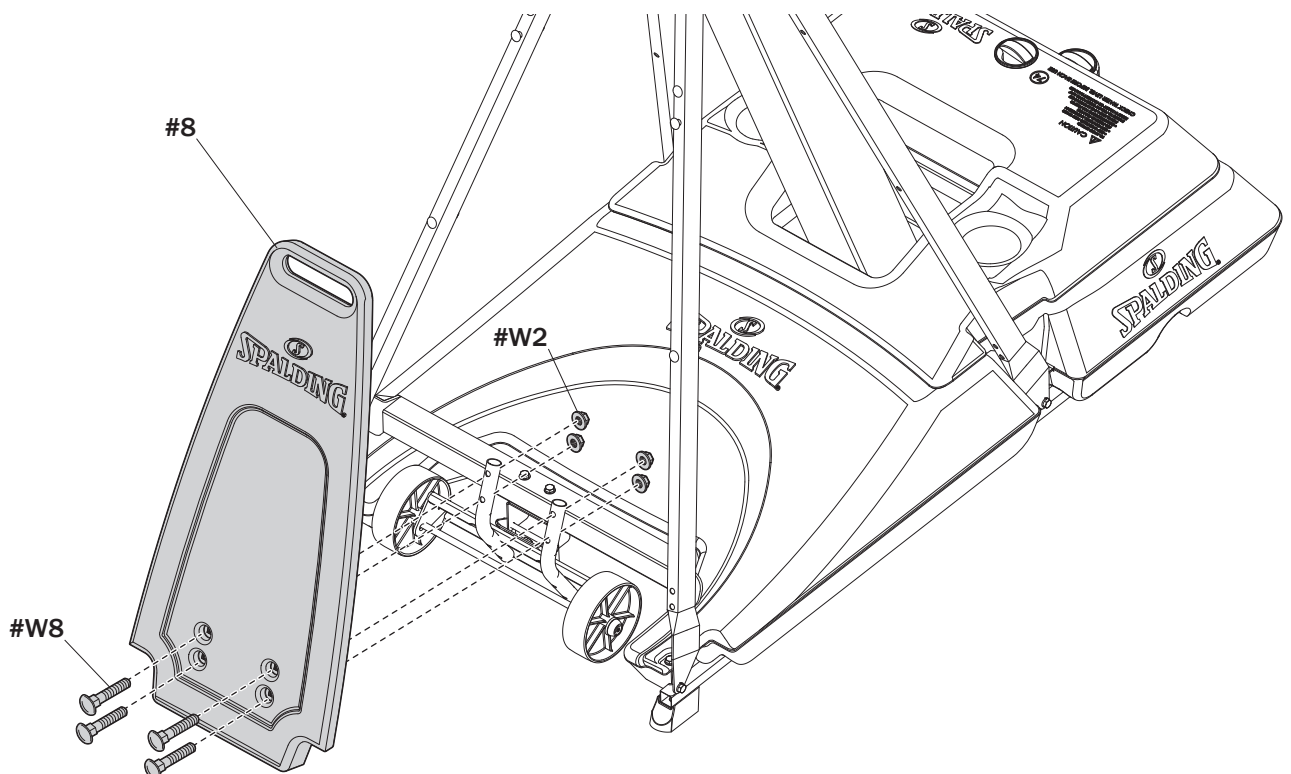
1. Secure the lower pivot bracket (11) to the wheel assembly using the bolt (W7), pivot disk (12), and nut (W6).
2. Secure the wheel assembly to the u-bracket (9) using the bolt (W5), spacer (W10), and nut (W6).



3. Attach the transport handle (8) to the wheel assembly using the carriage bolts (W8) and nuts (W2).

⚠ IMPORTANT ⚠

Tighten all components completely.

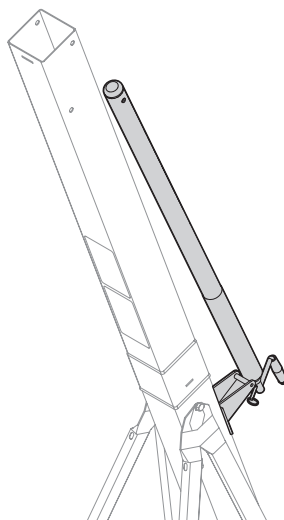


Elevator Assembly

Required Parts:

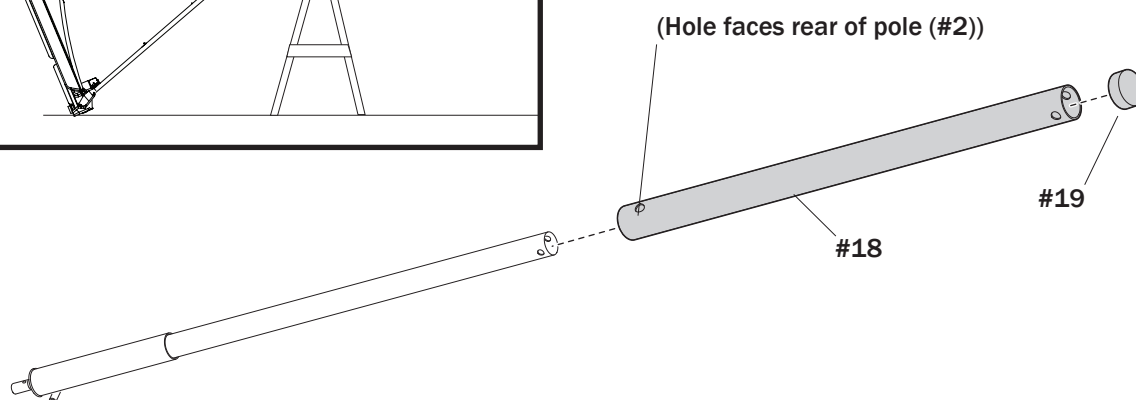
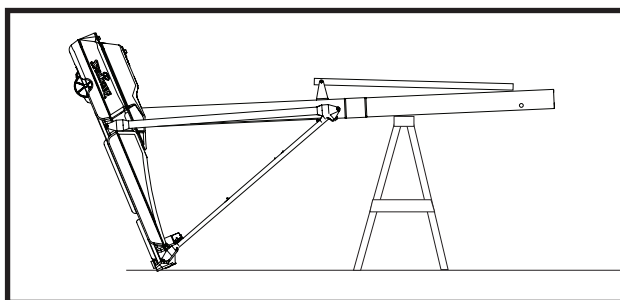
- Kit 4
- 1/2" Socket Wrench or Wrench

Completed Elevator Assembly:



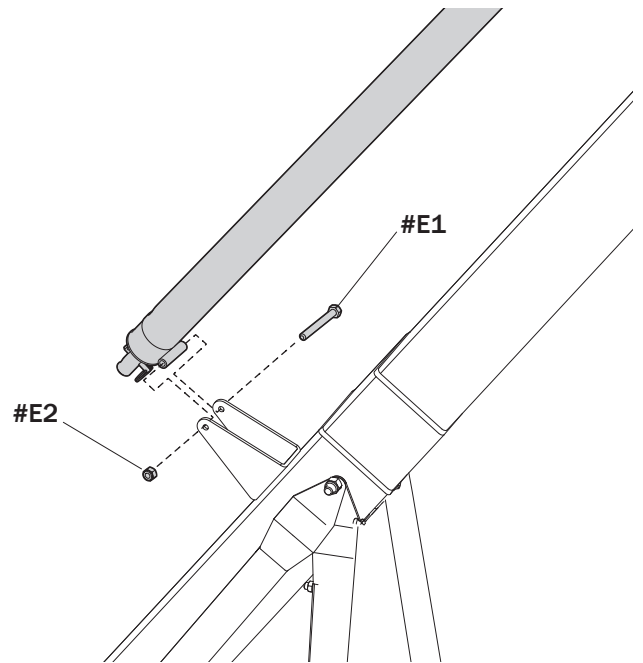
G INSTALL THE ELEVATOR ASSEMBLY

1. Securely rest the assembly on a sawhorse.
2. Slide the screw-jack sleeve (18) over the screw jack and attach the cap (19) to the top end.

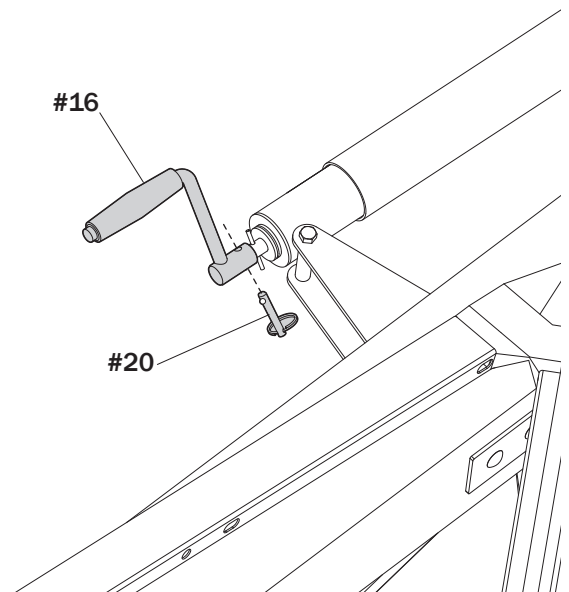


G INSTALL THE ELEVATOR ASSEMBLY

3. Attach the screw-jack to the pole bracket with the bolt (#E1) and nut (#E2).



4. Attach the handle (16) to the screw jack with the pin (20).

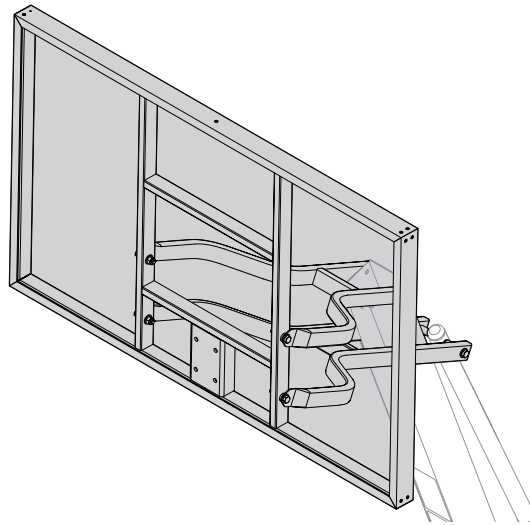


Assemble the Upper Elevator

Required Parts:

- Kit 5
- 3/4" Socket Wrench or Wrench
- Socket Wrench Extension
- Sawhorse

Completed Backboard Assembly:

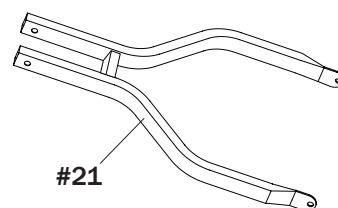
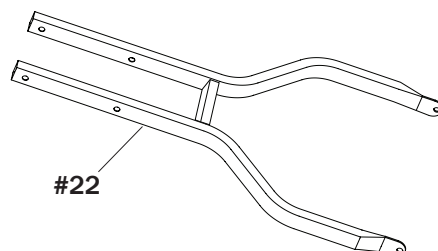
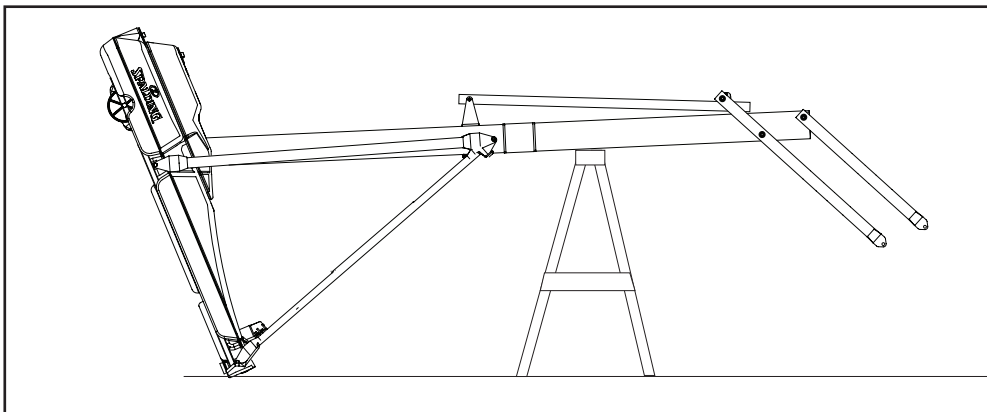


⚠ WARNING ⚠

TWO PEOPLE ARE REQUIRED FOR THIS PROCEDURE. FAILURE TO FOLLOW THIS WARNING COULD RESULT IN SERIOUS INJURY AND/OR PROPERTY DAMAGE.

H ATTACH THE ELEVATOR TUBE ASSEMBLY

1. Securely rest the assembly on a sawhorse. Identify the elevator tubes (21 and 22).



H ATTACH THE ELEVATOR TUBE ASSEMBLY

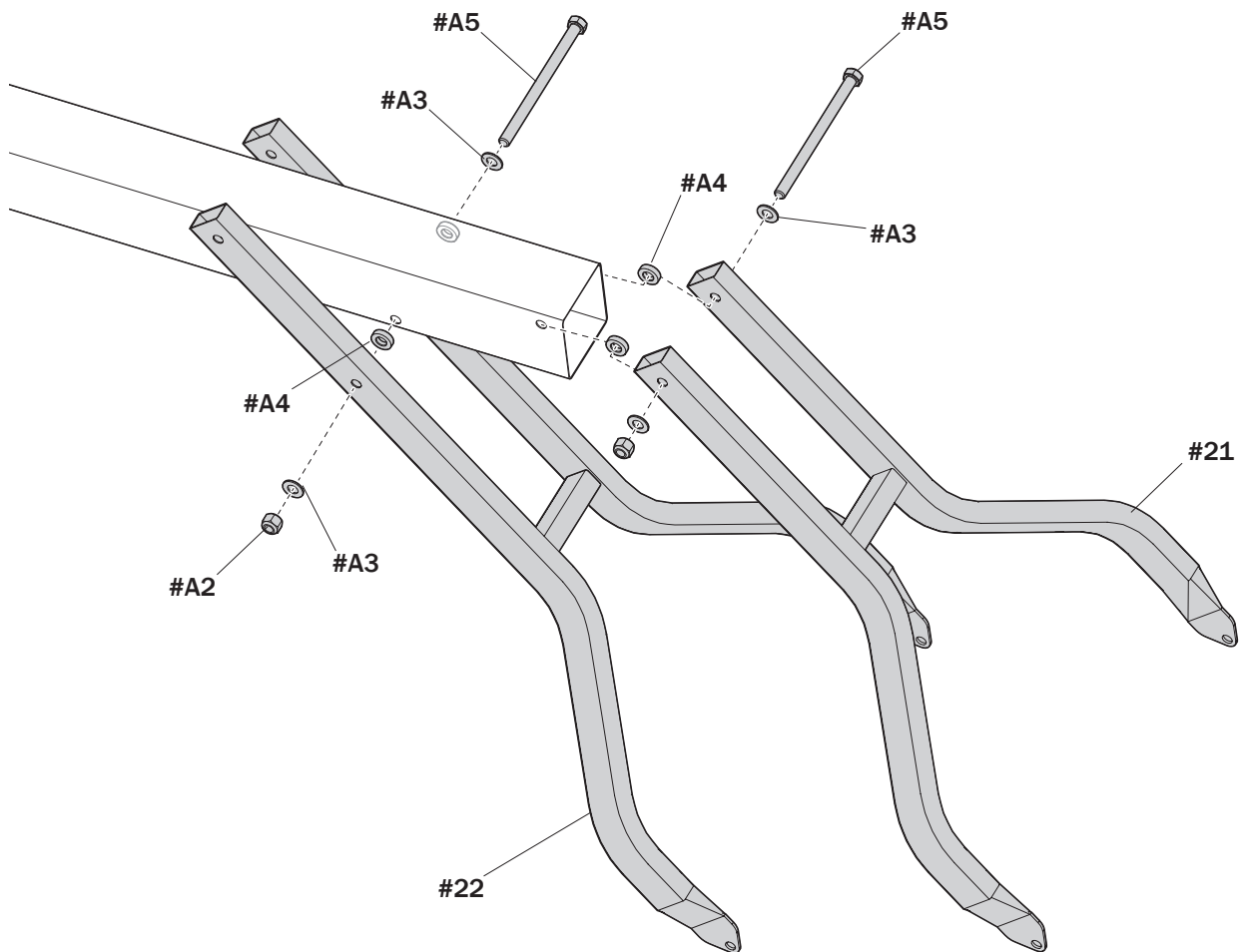
2. While the system is securely resting on the sawhorse, install the elevator tubes (21 and 22) to the top pole section (3) using the bolts (A5), washers (A3), bushings (A4), and nuts (A2).

⚠ WARNING ⚠

TIGHTEN THE BOLTS (A5) IN THE LOCK NUTS (A2) UNTIL FLUSH (EVEN) WITH THE LOCK NUT'S OUTER EDGE.

NOTE

TEST-FIT THE LARGE BOLTS INTO THE LARGE HOLES OF THE ELEVATOR TUBES AND BACKBOARD BRACKETS. CAREFULLY ROCK THEM IN A CIRCULAR MOTION TO REAM OUT ANY EXCESS PAINT FROM HOLES, IF NECESSARY.



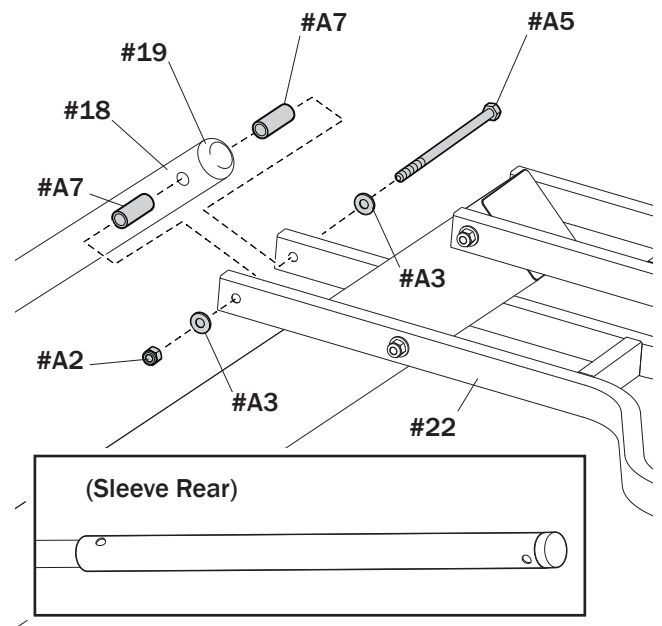
H ATTACH THE ELEVATOR TUBE ASSEMBLY

3. While the system is securely resting on the sawhorse, align the inner metal screw jack (17) bolt holes with the outer plastic screw jack sleeve (18) bolt holes.
4. Install the screw jack assembly to the lower elevator tube (22) using the bolt (A5), washers (A3), spacers (A7), and nut (A2).
5. Reinstall the screw jack cap (19).



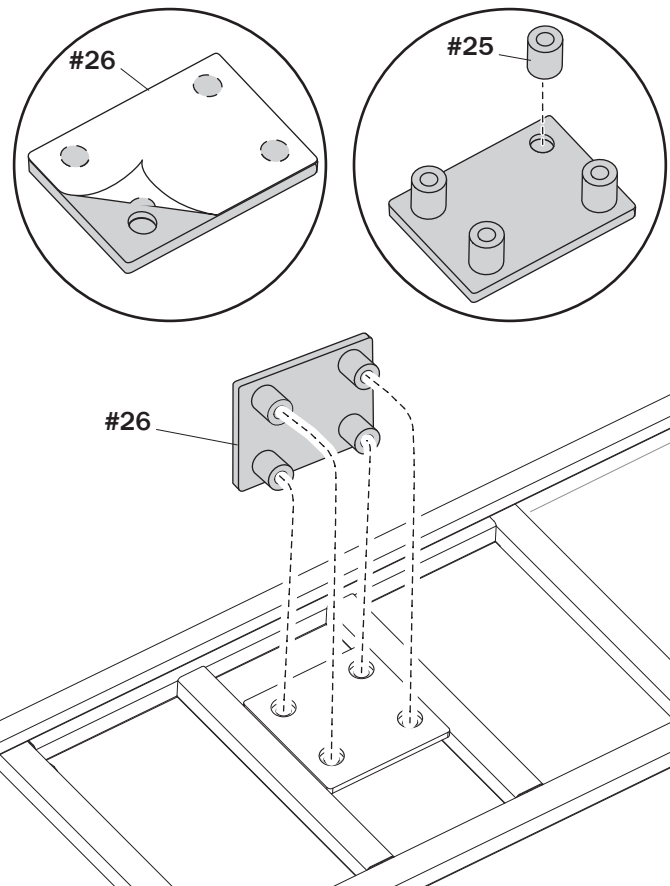
WARNING

TIGHTEN THE BOLT (A5) IN THE LOCK NUT (A2) UNTIL FLUSH (EVEN) WITH THE LOCK NUT'S OUTER EDGE.



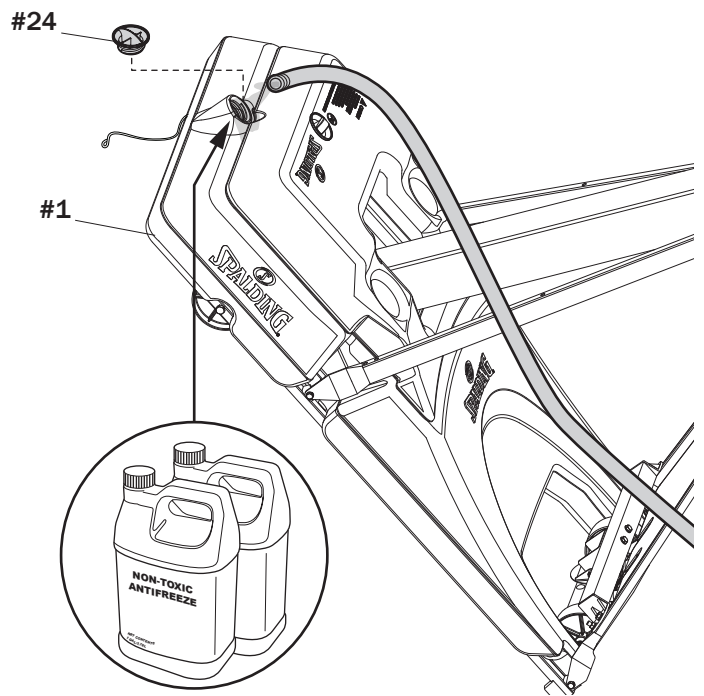
I ATTACH THE BACKBOARD

1. Place the foam pad (26) on a flat surface with the adhesive side facing up and remove protective film.
2. Align each of the steel spacers (25) with the four holes in the foam pad (26) and press the spacers firmly onto the adhesive of the foam pad.
3. Align the steel spacers on the foam pad assembly into the mounting holes on the backboard and firmly press into position.

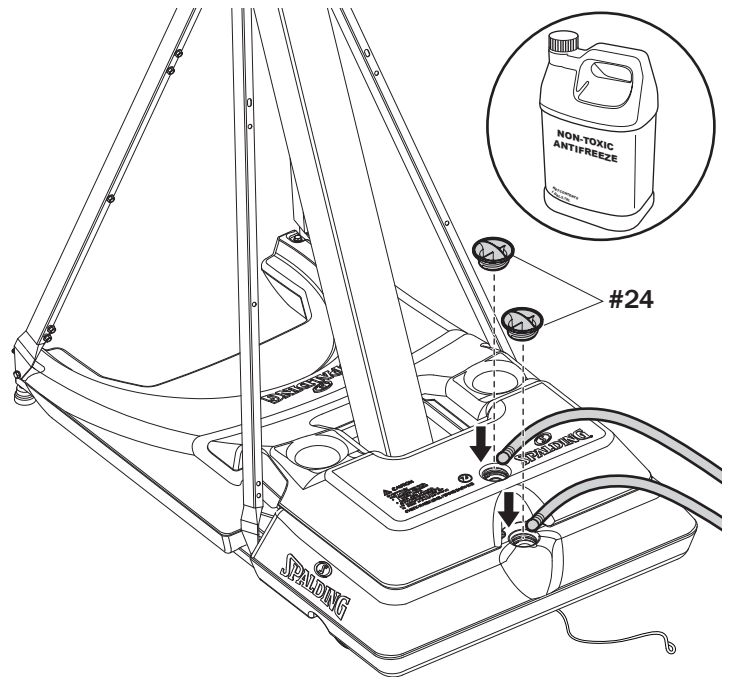


I ATTACH THE BACKBOARD

4. Fill the bottom base halfway with water (approx. 25 gallons (95 Liters)) or sand (approx. 295 lbs. (134 kg)).
5. Insert the cap (24) into the base (1) to close.
6. Lower the backboard to the lowest setting and roll the completed assembly to the desired location.



7. After system is placed in an upright position, complete the filling process in both bases.
8. Fill the bottom base completely with water (approx. 49 gallons (186 liters)) or sand (590 lbs. (268 kg)).
9. Fill the top base completely with water (approx. 9.8 gallons (37.1 liters)) or sand (approx. 117 lbs. (53.1 kg)).
10. Rotate the caps (24) securely into both the top and bottom bases.



⚠ CAUTION ⚠

ADD AT LEAST TWO GALLONS (7.6 LITERS) OF NON-TOXIC ANTIFREEZE TO THE WATER OF THE BOTTOM BASE IN SUB-FREEZING CLIMATES. CHECK THE WATER LEVEL BEFORE EACH USE!

NOTE

IF USING SAND: 2 GALLONS OF ANTIFREEZE IS NOT REQUIRED.

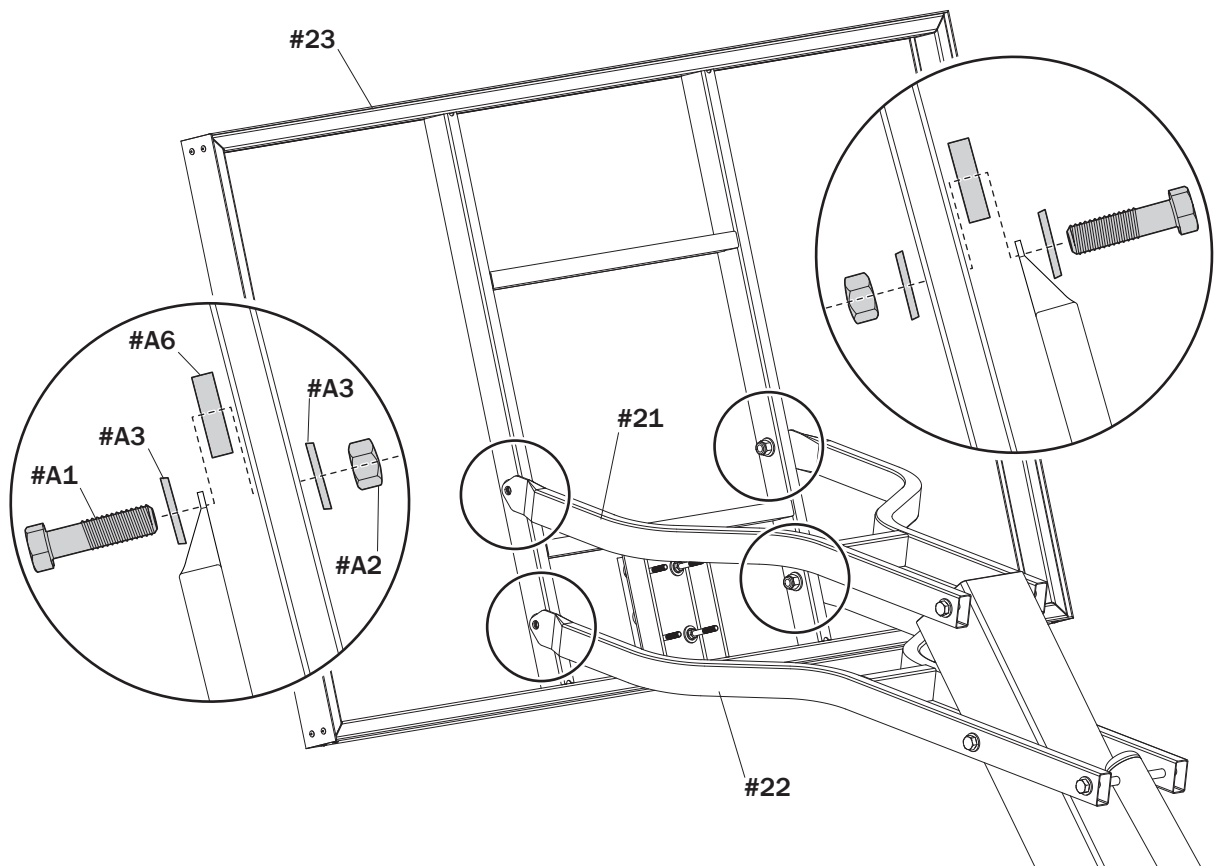
I

ATTACH THE BACKBOARD

- 11.** Attach the backboard (23) to the elevator tubes (21 and 22) using the bolts (A1), washers (A3), bushings (A6), and nuts (A2).



TIGHTEN THE BOLT (A1) IN THE LOCK NUT (A2) UNTIL FLUSH (EVEN) WITH THE LOCK NUT'S OUTER EDGE.

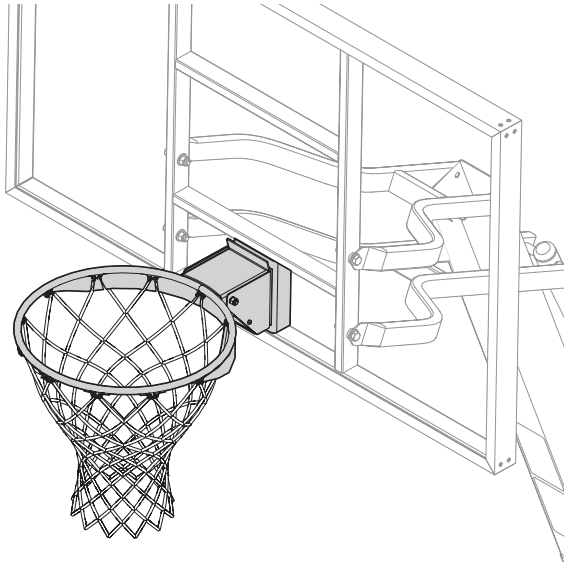


Assemble the Goal

Required Parts:

- Kit 6
- 1/2", 3/4" Socket Wrench or Wrench
- Socket Wrench Extension
- Phillips Screwdriver #3

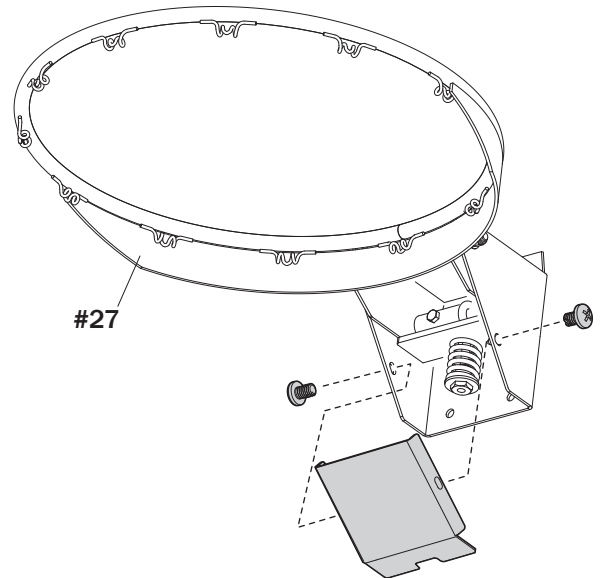
Completed Goal Assembly:



J

ASSEMBLE THE GOAL

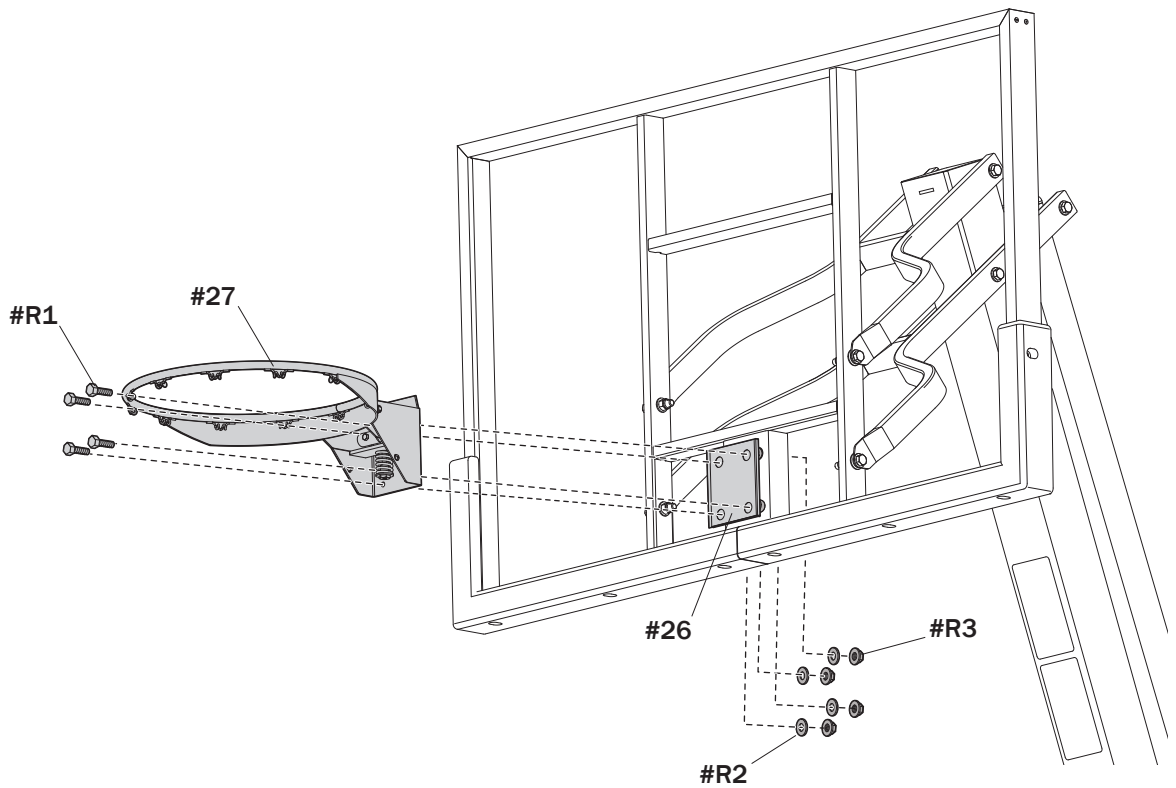
1. Remove the screws that secure the rim cover.



J

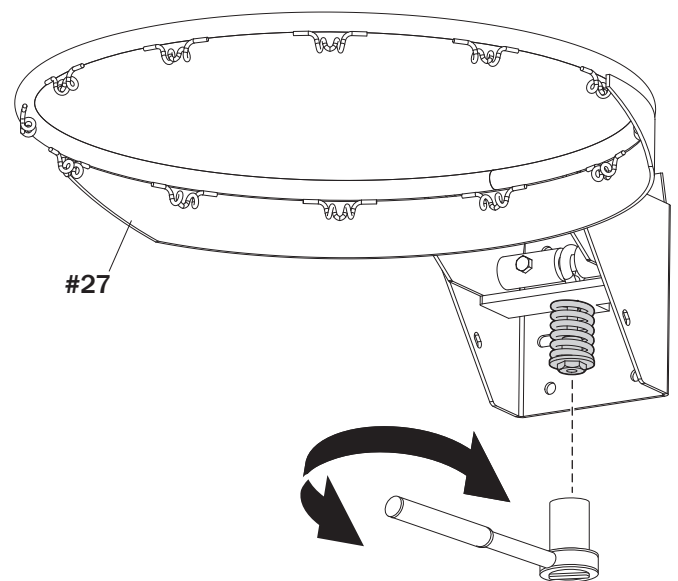
ASSEMBLE THE GOAL

- Adjust the backboard to the lowest setting and attach the rim assembly (27) to the foam pad (26) on the board using bolts (R1), washers (R2), and nuts (R3).



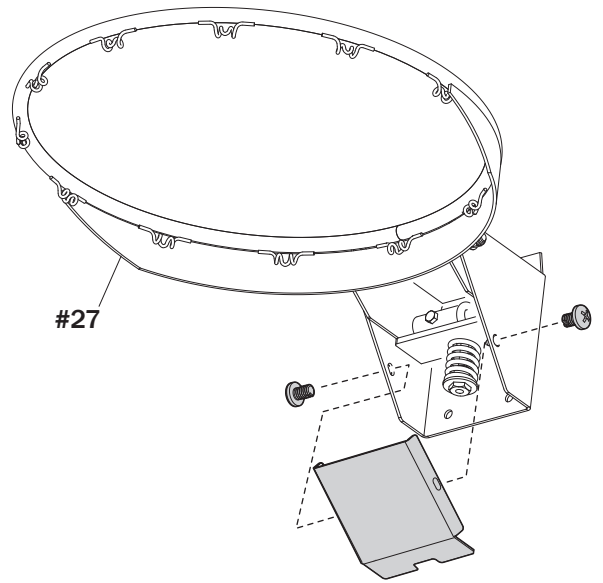
NOTE

If desired, tighten the nut to increase the rim's resistance to movement.

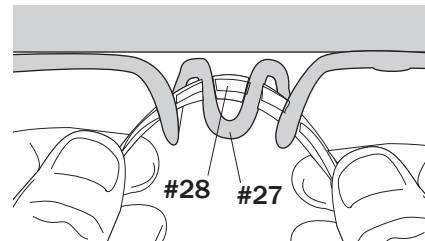
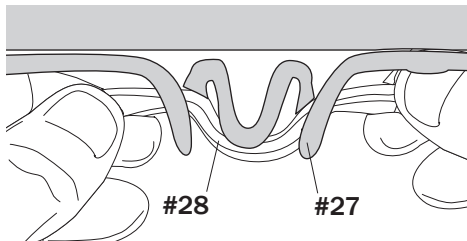
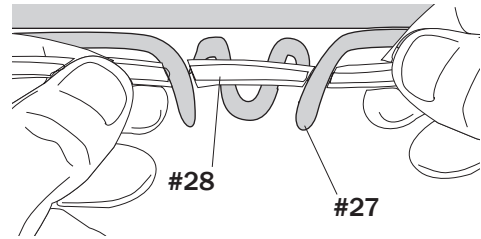
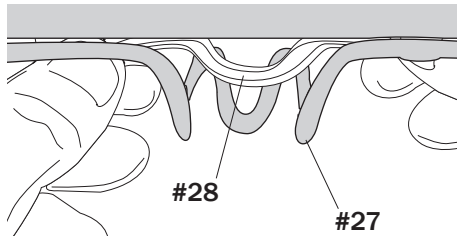


J ASSEMBLE THE GOAL

3. Reinstall the rim cover using the cover screws.



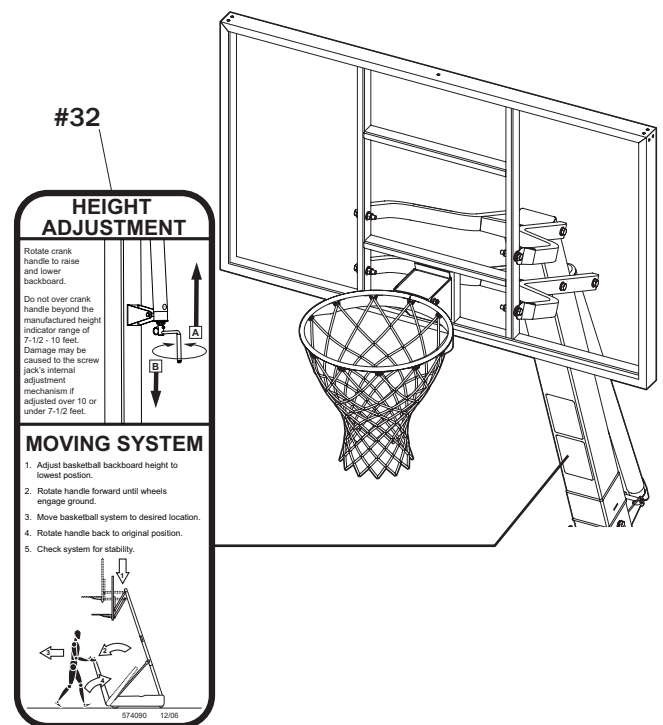
4. Thread the net (28) onto the rim (27).



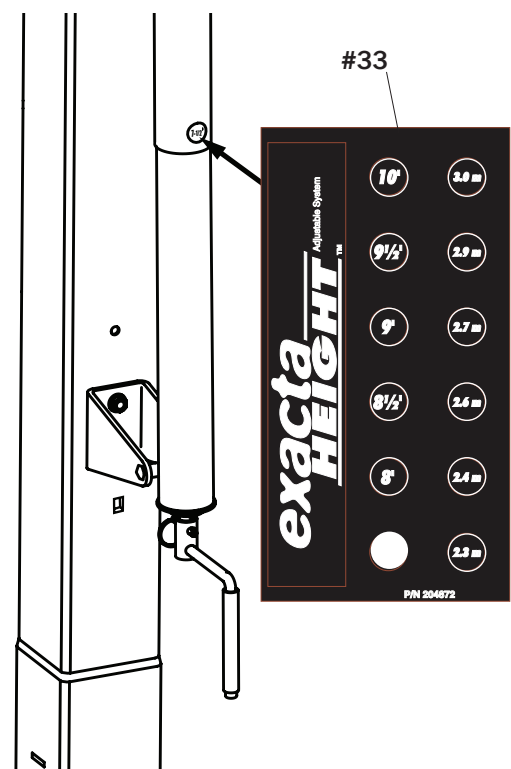
J

ASSEMBLE THE GOAL

5. Apply the Height Adjustment and Moving Label (32) to the front of the pole, where it is clearly visible.



6. Apply the Height Indicator Labels (33) to the screw jack.
7. Adjust the height to 7-1/2 feet (2.3 m) from the top of the rim to the playing surface.
8. Place 7-1/2 feet (2.3 m) sticker to the middle of the hole of the screw jack sleeve.
9. Repeat for each subsequent height until the last sticker is in place at the 10 foot (3.05 m) height.



J

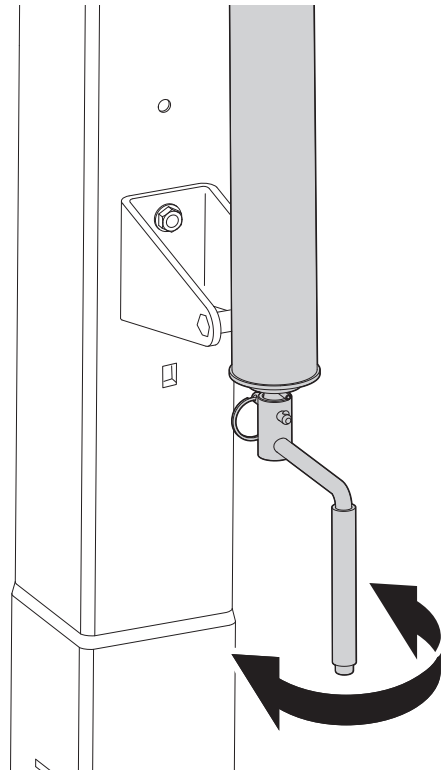
ASSEMBLE THE GOAL

10. Rotate the crank handle to move the backboard up or down to the desired height.

 **WARNING** 

DO NOT ALLOW CHILDREN TO ADJUST THE HEIGHT.

DO NOT OVER CRANK THE HANDLE BEYOND THE HEIGHT INDICATOR RANGE OF 7-1/2 TO 10 FEET (2.3 TO 3.05 M) OR THE ADJUSTMENT MECHANISM MAY BE DAMAGED.

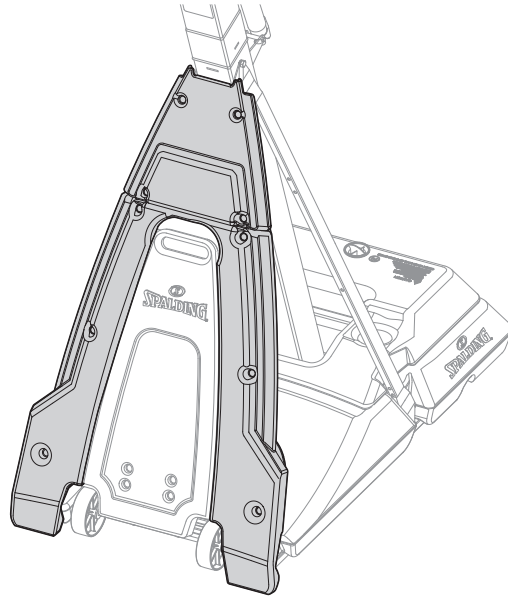


Install The Stadium Pad

Required Parts:

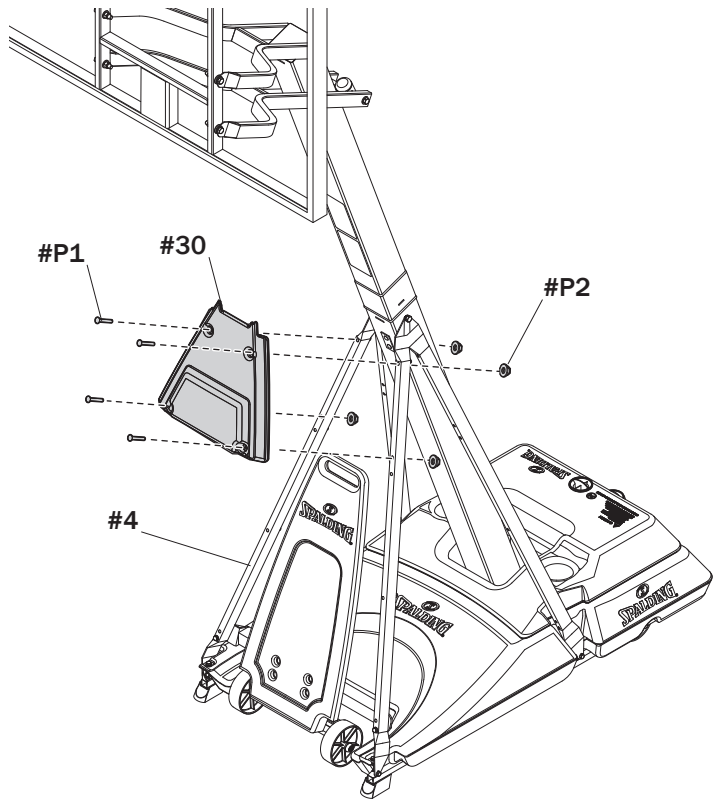
Complete Unit Assembly:

- Kit 7
- 9/16" Socket Wrench or Wrench



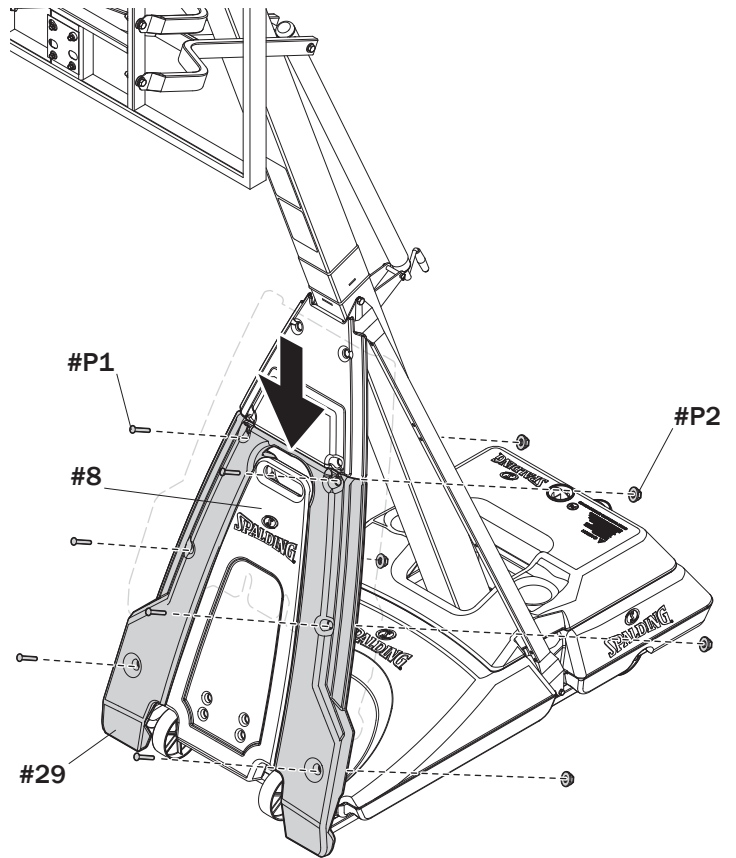
K INSTALL THE STADIUM PAD

1. Attach the top stadium pad (30) to the front strut (4) using the bolts (P1) and nuts (P2).



K INSTALL THE STADIUM PAD

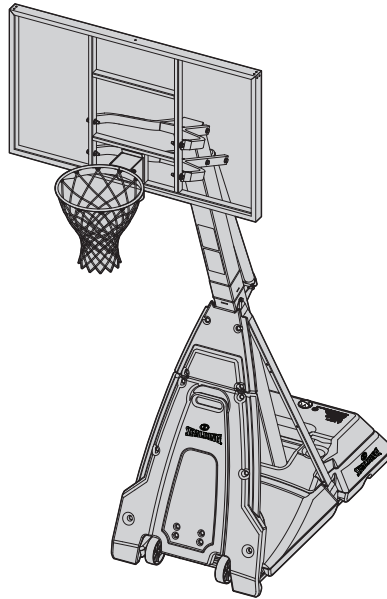
2. Slide the bottom stadium pad (29) behind the transport handle (8) and secure using the bolts (P1) and nuts (P2).



Secure The Assembled Unit for Use

Required Parts:

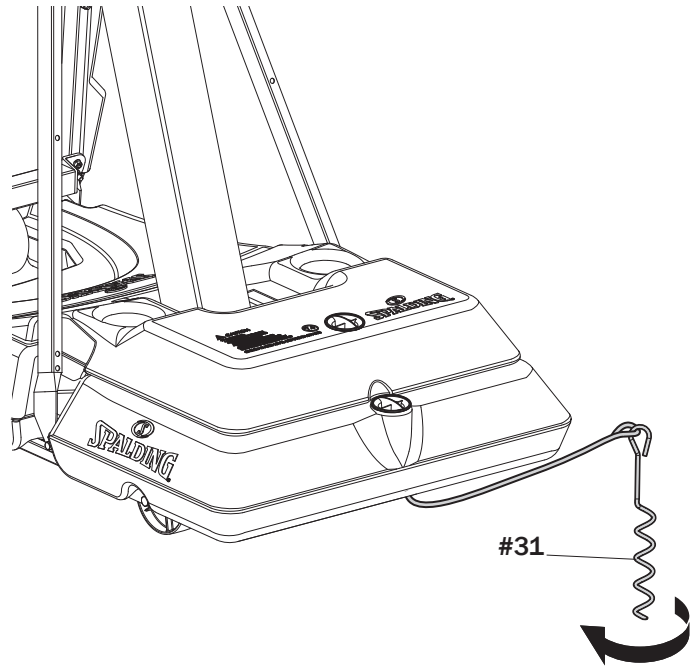
- Water
- Sand

Complete Unit Assembly:**⚠ WARNING ⚠**

- TWO CAPABLE ADULTS ARE REQUIRED FOR THIS PROCEDURE. FAILURE TO FOLLOW THIS WARNING COULD RESULT IN SERIOUS INJURY.
- DO NOT LEAVE THE ASSEMBLY UNATTENDED WHEN EMPTY; IT MAY TIP OVER.
- FAILURE TO FOLLOW THIS WARNING COULD RESULT IN SERIOUS INJURY AND/OR PROPERTY DAMAGE.
- THE CAP (24) MUST BE TIGHTENED COMPLETELY AND SECURELY TO PREVENT LEAKAGE.
- CONTACT CUSTOMER SERVICE IMMEDIATELY IF THE CAP IS MISSING OR DAMAGED.
- CHECK THE WATER LEVEL BEFORE EACH USE.

L SECURE THE GROUND STAKE

1. Place the system in the desired location.
2. Stretch the rope tight to determine the ground stake (31) location.
3. Install the ground stake (31) into the ground.
4. Loop the eyelet of the rope onto the eyelet of the ground stake (31).



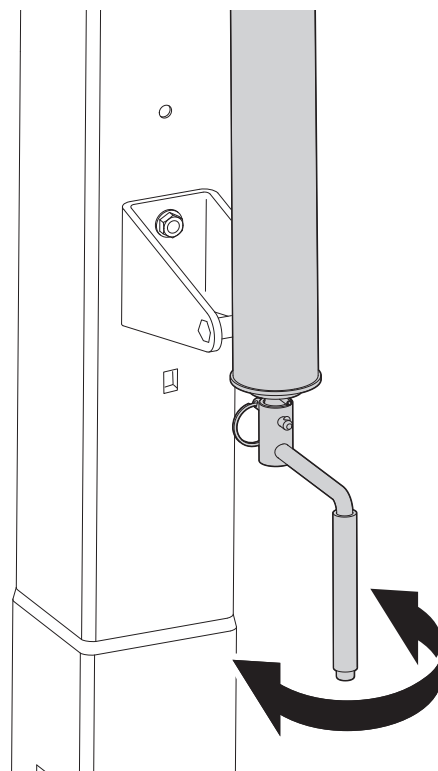
Operation

M ADJUSTING THE HEIGHT

1. Rotate the crank handle to move the backboard up or down to the desired height.

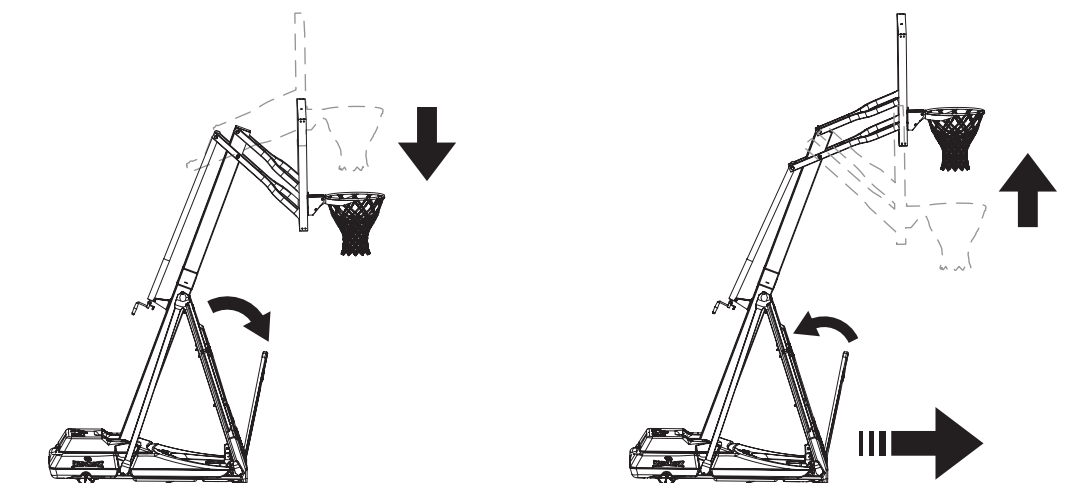
⚠ WARNING ⚠

DO NOT ALLOW CHILDREN TO ADJUST THE HEIGHT.
DO NOT OVER CRANK THE HANDLE BEYOND THE HEIGHT INDICATOR RANGE OF 7-1/2 TO 10 FEET (2.3 TO 3.05 M) OR THE ADJUSTMENT MECHANISM MAY BE DAMAGED.

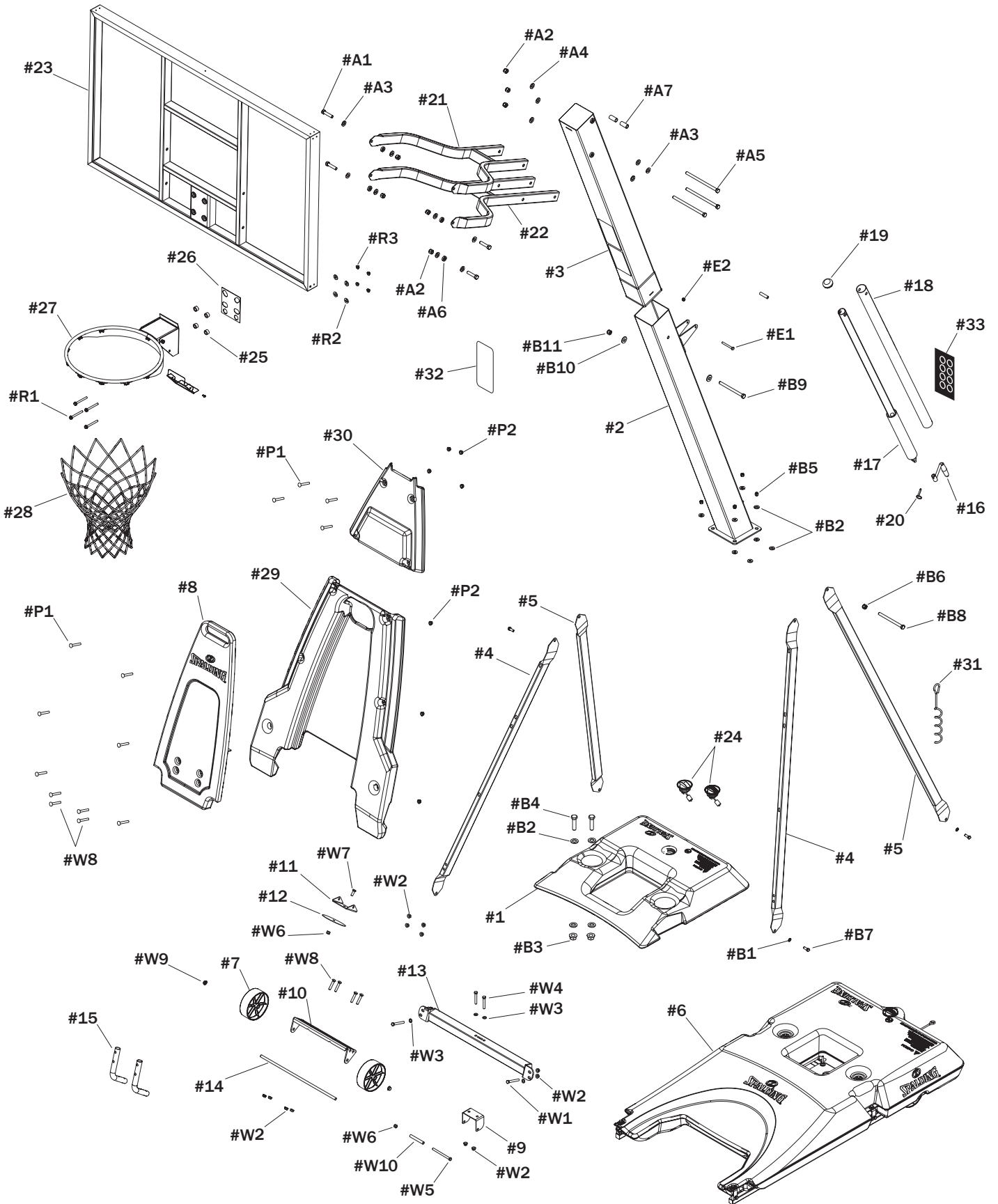


N MOVING THE UNIT

1. Adjust the basketball backboard height to the lowest position.
2. Rotate the handle forward until the wheels engage the ground.
3. Move the basketball system to the desired location.
4. Rotate the handle back to its original position.
5. Check the system for stability.



Parts List



Item	Qty	Part No.	Description
1	1	600076	Top Base
2	1	901183	Bottom Pole Section
3	2	901184	Top Pole Section
4	2	908459	Strut, Front, 62.75" L, with Holes
5	2	908699	Strut, Rear, 62.75" L
6	1	700376	Bottom Base
7	2	600074	Wheel, 6"
8	1	60007901	Transport Handle, Gray
		60007902	Transport Handle, Black
9	1	800373	U-Bracket, Pivot
10	1	908466	Bracket, Wheel
11	1	206948	Bracket, Pivot, Lower
12	1	206956	Disk, Pivot, Plastic
13	1	908513	Cross Member
14	1	20694001	Axle, Rod, 20.5" L
15	2	908460	Tube, Hinged
16	1	700009	Handle, Screw-Jack
17	1	80034403	Screw Jack
18	1	60016401	Sleeve, Screw Jack
19	1	600165	Cap, Screw Jack
20	1	202528	Pin, Handle
21	1	908508	Elevator Tube, Upper
22	1	908509	Elevator Tube, Lower
23	1		Backboard
24	2	266300	Plug Cap
25	4	208482	Spacer, Steel 0.50" IDx 0.875" ODx 0.465" L
26	1	20755201	Pad, Foam

Item	Qty	Part No.	Description
27	1		Rim
28	1		Net
29	1	600077	Stadium Pad, Bottom
30	1	600078	Stadium Pad, Top
31	1	203124	Ground Stake
32	1	574090	Label, Height Adjustment and Moving
33	1	204872	Label, Height Indicator
A1	4	205711	Bolt, Hex-Head, 1/2-13 x 2.25" L
A2	7	206340	Nut, Nylock, 1/2-13
A3	14	203474	Washer, Flat, 1.08" OD
A4	4	201651	Bushing, Plastic, 0.50 IDx0.25" L
A5	3	207876	Bolt, Hex-Head, 1/2-13 x 8.4" L
A6	4	208251	Bushing, Plastic, 0.50 IDx0.13" L
A7	2	204620	Spacer, Plastic, Black 1.7" L
B1	4	265523	Bolt, Hex Head, 3/8-16 x 1" L
B2	12	203309	Washer, Flat, 3/8 x 1 OD
B3	2	203041	Nut, Hex-Flange, 3/8-16
B4	2	203331	Bolt, Hex Head, 3/8-16 x 1.5" L
B5	4	203063	Lock-nut, Nylon Insert, 3/8-16
B6	1	206340	Lock-nut, Nylon Insert, 1/2-13
B7	4	202602	Lock-washer, 0.375 ID x 0.675 OD
B8	1	206304	Bolt, Hex Head, 1/2-13 x 6-5/16" L
B9	1	208617	Bolt, Hex Head, 5/16-18 x 5.63 x 0.91" L
B10	2	203218	Washer, Flat, 5/16
B11	1	207610	Nut, Acorn, 5/16-18
E1	1	201518	Bolt, Hex-Head, 5/16-18 x 2.75" L

Parts List

Item	Qty	Part No.	Description
E2	1	203099	Lock-Nut, Nylon Insert, 5/16-18
P1	10	206011	Bolt, Carriage, 3/8-16 x 2.75" L
P2	10	203041	Nut, Hex-Flange, 3/8-16
R1	4	201611	Bolt, Hex-Flange, 5/16-18 x 3" L
R2	4	203309	Washer, 3/8, 1" OD
R3	4	203100	Nut, Hex-Flange, 5/16-18
W1	2	200514	Bolt, Hex Head, 3/8-16 x 3" L
W2	12	203041	Nut, Hex-Flange, 3/8-16

Item	Qty	Part No.	Description
W3	4	203299	Washer, 3/8 Flat
W4	2	265563	Bolt, Hex Head, 3/8-16 x 2.5" L
W5	1	203330	Bolt, Hex Head, 3/8-16 x 4.5" L
W6	2	203063	Lock-Nut, 3/8-16
W7	1	206252	Bolt, Hex Head, 3/8-16 x 1" L
W8	8	203277	Bolt, Carriage, 3/8-16 x 2"
W9	2	207550	Push Caps, Metal, Wheel Assembly
W10	1	202274	Spacer, 0.379 ID x 0.50 OD x 3.5" L

SAFETY LABELS

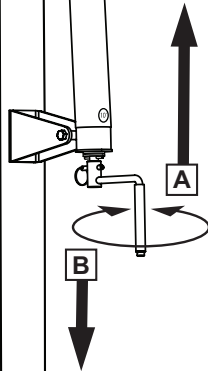


APPLY THE SAFETY LABELS TO THE COMPLETED ASSEMBLY PRIOR TO USE.

HEIGHT ADJUSTMENT

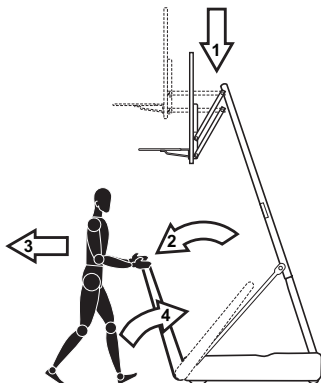
Rotate crank handle to raise and lower backboard.

Do not over crank handle beyond the manufactured height indicator range of 7-1/2 - 10 feet. Damage may be caused to the screw jack's internal adjustment mechanism if adjusted over 10 or under 7-1/2 feet.



MOVING SYSTEM

1. Adjust basketball backboard height to lowest position.
2. Rotate handle forward until wheels engage ground.
3. Move basketball system to desired location.
4. Rotate handle back to original position.
5. Check system for stability.



574090 12/06



WARNING

Read and understand warnings listed below before using this product.

Failure to follow these warnings may result in serious injury and/or property damage.

Owner must ensure that all players know and follow these rules for safe operation of the system.

- DO NOT HANG on the rim or any part of the system including backboard, support braces or net.
- During play, especially when performing dunk type activities, keep player's face away from the backboard, rim and net. Serious injury could occur if teeth/face come in contact with backboard, rim or net.
- Do not slide, climb, shake or play on base and/or pole.
- After assembly is complete, fill system completely with water or sand and stake to the ground. Never leave system in an upright position without filling base with weight, as system may tip over causing injuries.
- When adjusting height or moving system, keep hands and fingers away from moving parts.
- Do not allow children to move or adjust system.
- During play, do not wear jewelry (rings, watches, necklaces, etc.). Objects may entangle in net.
- Surface beneath the base must be smooth and free of gravel or other sharp objects. Punctures cause leakage and could cause system to tip over.
- Keep organic material away from pole base. Grass, litter, etc. could cause corrosion and/or deterioration.
- Check pole system for signs of corrosion (rust, pitting, chipping) and repaint with exterior enamel paint. If rust has penetrated through the steel anywhere, replace pole immediately.
- Check system before each use for proper ballast, loose hardware, excessive wear and signs corrosion and repair before use.
- Check system before each use for instability.
- Do not use system during windy and/or severe weather conditions; system may tip over. Place system in the storage position and/or in an area protected from the wind and free from personal property and/or overhead wires.
- Never play on damaged equipment.
- See instruction manual for proper installation and maintenance.
- When moving system, use caution to keep mechanism from shifting.
- Keep pole top covered with cap at all times.
- Do not allow water in tank to freeze. During sub-freezing weather add 2 gallons of non-toxic antifreeze, sand or empty tank completely and store. (Do not use salt.)
- While moving system, do not allow anyone to stand or sit on base or have added ballasting on base.
- Do not leave system unsupervised or play on system when wheels are engaged for moving.
- Use Caution when moving system across uneven surfaces. System may tip over.
- Use extreme caution if placing system on sloped surface. System may tip over more easily.

SPALDING

In the U.S.: 1-800-558-5234
In Canada: 1-800-284-8339
In Australia: 1-300-387-582

SURE SHOT

In the U.S.: 1-800-558-5234

RUSSELL

Trademarks registered
in the USA and other countries.

ID#: 55679001 02/12

HYDRA-RIB

In the U.S.: 1-800-334-9111

HUFFY SPORTS

In the U.S.: 1-800-558-5234
In Canada: 1-800-284-8339