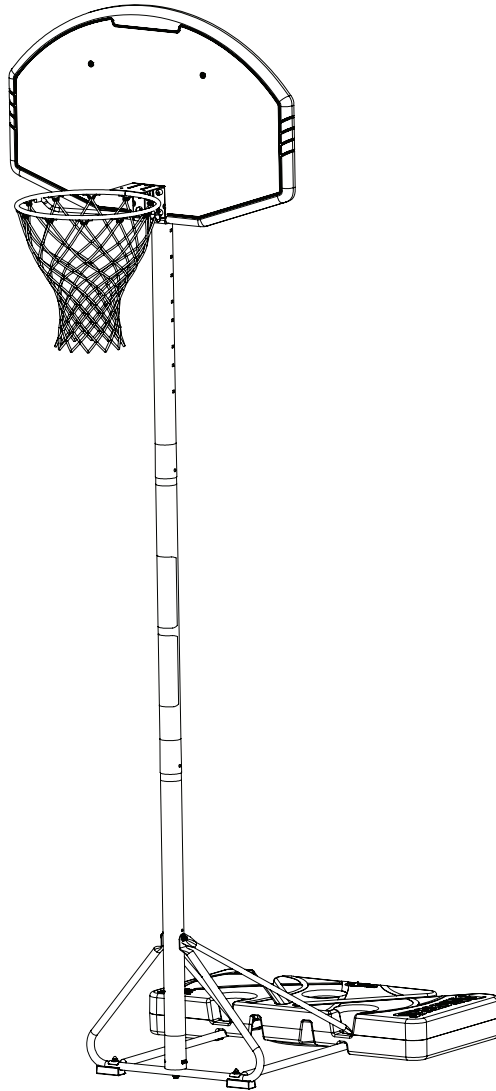




# SPALDING®

## Portable Basketball System Owners Manual

English  
Español



Write Model Number From Box Here:

	<b>⚠ WARNING!</b>
	READ AND UNDERSTAND OPERATOR'S MANUAL BEFORE USING THIS UNIT.  FAILURE TO FOLLOW OPERATING INSTRUCTIONS COULD RESULT IN INJURY OR DAMAGE TO PROPERTY.

This manual, accompanied by sales receipt, should be saved and kept on hand as a convenient reference, as it contains important information about your model.

Toll-Free Customer Service Number for U.S: 1-800-558-5234,

For Canada: 1-800-284-8339,

For Europe: +353 51 379777 (Sweden: 009 555 85234),

For Australia: 1300 367 582

# IMPORTANT!



Questions or Missing Parts?

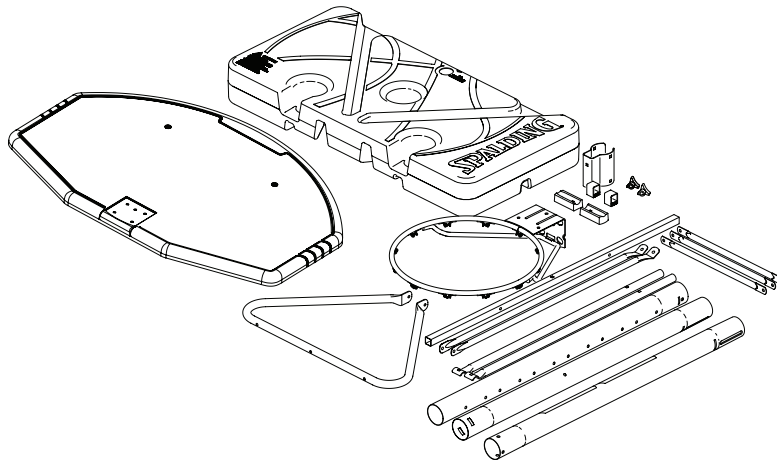
**DON'T go back to store!**

Call TOLL-FREE Customer Service  
Number listed on the front page!



## **BEFORE YOU START REMOVE ALL CONTENTS!**

Remove ALL contents from boxes.  
Be sure to check INSIDE pole sections;  
hardware and additional parts are packed inside.



### **NOTICE TO ASSEMBLERS**



#### **Adult Assembly Required**

*Dispose of ALL packaging materials promptly.*

*As with all products, periodically inspect for loose small parts.*

*Assembled unit MUST be filled with sand or water at ALL times.*

*ALL basketball systems, including those used for DISPLAYS, MUST be assembled and installed according to instructions.*

*Failure to follow instructions could result in SERIOUS INJURY.*

*It is NOT acceptable to devise a makeshift support system.*

Email: [warrantyservice@custserv@fotlinc.com](mailto:warrantyservice@custserv@fotlinc.com)

Spalding  
PO Box 90015  
Bowling Green, KY 42103-7932

## REQUIRED TOOLS AND MATERIALS:



• 2 Capable Adults

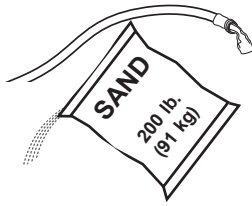


• Wood Board (scrap)



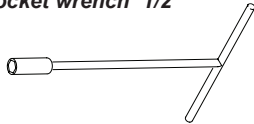
• Sawhorse or Support Table

• Garden Hose or Sand

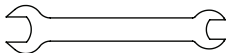


## INCLUDED TOOLS:

• T-socket wrench 1/2"

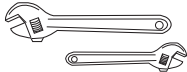


• Wrench 1/2"

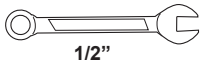


## OPTIONAL TOOLS AND MATERIALS:

• Large and Small Adjustable Wrenches

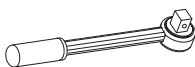


• (2 each) Wrenches and/or Socket Wrenches and Sockets (Deep-Well Sockets are Recommended).



1/2"

AND/OR



1/2"

• Extension is Recommended.

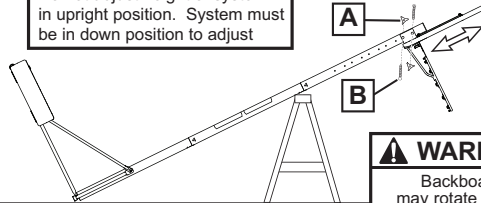


## HEIGHT ADJUSTMENT

Rest unit on support table. Remove adjustment knobs (A) and carriage bolts (B) to extend or retract backboard and rim. Height adjustment from 7.5' to 10'.

### WARNING

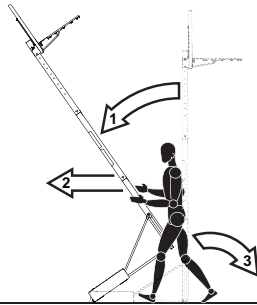
Do not adjust height of system in upright position. System must be in down position to adjust



### WARNING

Backboard may rotate during height adjustment.

## MOVING SYSTEM



1. While holding pole, rotate basketball system backward until wheels engage with ground.
2. Move basketball system to desired location.
3. Carefully rotate basketball system upright.
4. Check system for stability.

208938 07/18



## WARNING

READ AND UNDERSTAND WARNINGS LISTED BELOW BEFORE USING THIS PRODUCT.

FAILURE TO FOLLOW THESE WARNINGS MAY RESULT IN SERIOUS INJURY AND/OR PROPERTY DAMAGE.

Owner must ensure that all players know and follow these rules for safe operation of the system.

- DO NOT hang on the rim or any part of the system including backboard, support braces, or net.
- During play, especially when performing dunk type activities, use caution to keep face away from the backboard, rim, and net. Serious injury could occur if teeth/face come in contact with backboard, rim, or net.
- DO NOT slide, climb, shake, or play on base and/or pole.
- After full assembly, fill system completely with water or sand. Never leave system in an upright position without filling base with weight, as system may tip over, causing injuries and/or property damage.
- DO NOT add ballast on top of base (such as sand bags or cinder blocks). Such added ballast can crack base, causing leakage, which could cause system to tip over. DO NOT use ballast on top of base as substitute for filling base with water or sand.
- When adjusting height or moving system, keep hands and fingers away from moving parts.
- DO NOT allow children to move or adjust system.
- DO NOT wear jewelry during play (rings, watches, necklaces, etc.). Objects may entangle in net.
- Surface beneath the base must be smooth and free of gravel or other sharp objects. Punctures or cracks in base could result, causing leakage which could cause system to tip over.
- Keep organic material and water away from pole base. Grass, water, litter, etc. could cause corrosion and/or deterioration.
- Keep pole top covered with cap at all times. Water and debris entering pole through uncapped top can cause corrosion from the inside.
- CHECK pole system for signs of corrosion (rust, pitting, chipping) and repaint with exterior enamel paint. If rust has penetrated through the steel anywhere, replace pole immediately.
- CHECK system before each use for proper ballast, loose hardware, excessive wear, and signs of corrosion; replace or repair before use.
- CHECK system before each use for instability.
- DO NOT use or leave system upright during windy and/or adverse weather conditions; system may tip over. Place system in the storage position and/or in an area protected from the wind and weather, and free from personal property and/or overhead wires.
- Never play on damaged equipment.
- See instruction manual for proper assembly and maintenance.
- When moving system, use caution to keep height adjust mechanism from shifting.
- Do not allow water in tank to freeze. During sub-freezing weather add at least 2 gallons of non-toxic antifreeze or sand, or empty tank completely and store. (Do not use salt.)
- DO NOT allow anyone to stand or sit on base while moving system.
- DO NOT leave system unsupervised, or play on system when wheels are engaged for moving.
- Use caution when moving system across uneven surfaces. System may tip over.
- Use extreme caution if placing system on sloped surface. System may tip over.

**SPALDING**

In the U.S.: 1-800-558-5234  
In Canada: 1-800-284-8339  
In Australia: 1-300-367-582

Trademarks registered  
in the USA and other countries.  
ID#: 500082 07/21

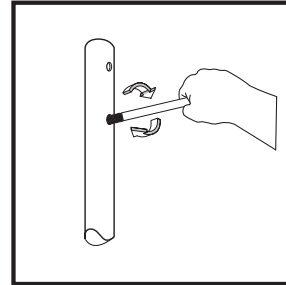
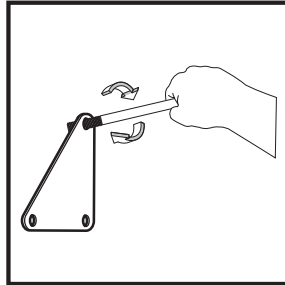
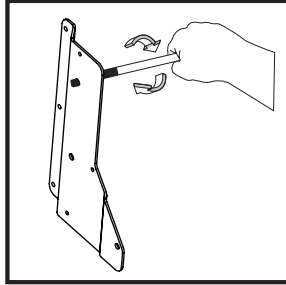
## TEST-FIT CLOSE TOLERANCE BOLTS

To ensure optimal playability of backboard system, a close tolerance fit between the elevator components and hardware is required.

Test-fit large bolts into large holes of elevator tubes, backboard brackets, and triangle plates.

Carefully rock them in a circular motion to ream out any excess paint from holes if necessary.

**NOTE: Not all items pictured are included with every model.**



## SAFETY INSTRUCTIONS



**FAILURE TO FOLLOW THESE SAFETY INSTRUCTIONS MAY RESULT IN SERIOUS INJURY OR PROPERTY DAMAGE AND WILL VOID WARRANTY.**

*Owner must ensure that all players know and follow these rules for safe operation of the system.*

To ensure safety, do not attempt to assemble this system without following the instructions carefully. Check entire box and inside all packing material for parts and/or additional instruction material. Before beginning assembly, read the instructions and identify parts using the hardware identifier and parts list in this document. Proper and complete assembly, use, and supervision are essential for proper operation and to reduce the risk of accident or injury. A high probability of serious injury exists if this system is not installed, maintained, and operated properly.

- If using a ladder during assembly, use extreme caution.
- Check base regularly for leakage. Slow leaks could cause the system to tip over unexpectedly
- Seat the pole sections properly (if applicable). Failure to do so could allow the pole sections to separate during play and/or during transport of the system.
- Climate, corrosion or misuse could result in system failure.
- If technical assistance is required, contact Customer Service.
- Minimum operational height is 6'-6" (1.98m) to the bottom of backboard.

*Most injuries are caused by misuse and/or not following instructions.*

*Use caution when using this unit.*



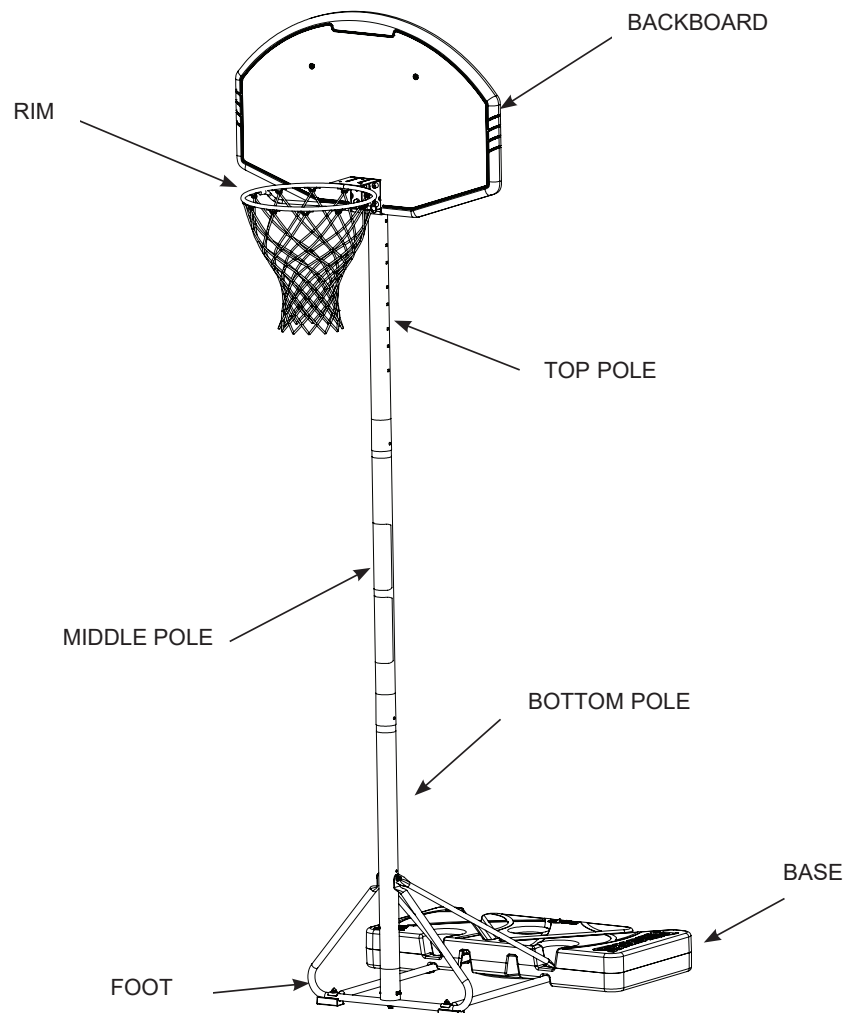


## Basketball System Warranty

For the very latest Basketball System Warranty information  
Please visit the Spalding Basketball website at [www.Spalding.com](http://www.Spalding.com)

Contact Spalding Customer Service at phone # 1-800-558-5234

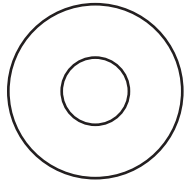
*Get to know the basic parts of your basketball system...*



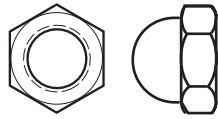
## ***PARTS LIST (ALL) - See Hardware Identifier***

<b><u>Item</u></b>	<b><u>Qty.</u></b>	<b><u>Part No.</u></b>	<b><u>Description</u></b>
1	1	600332	Base
2	2	600333	Wheel
3	2	108903	Wheel, Axle
4	11	203218	Washer, Flat 5/16
5	2	901517	Base Support Tube
6	2	901369	Strut, Pole to Base
7	5	207610	Nut, Acorn, 5/16-18
8	3	208950	Bolt, Carriage, 5/16-18 x 1.625" Long
9	1	901365	Top Pole Section
10	1	901366	Middle Pole Section
11	1	901367	Bottom Pole Section
12	1	901368	V-Strut
13	1	201518	Bolt, Hex, 5/16-18 x 2.75" Long
14	2	600331	Foot
15	1	203084	Bolt, Carriage, 5/16-18 x 1.75" Long
16	1	201625	Bolt, Hex, 5/16-18 x 3.6" Long
17	1	203099	Nut, Nylock, 5/16-18
18	1	901364	Pole Mounting Bracket
19	1	902319	Reinforcement Bracket
20	3	201344	Knob, Plastic, 3-Sided
21	1		Rim
22	1		Backboard
23	2	203103	Bolt, Carriage, 5/16-18 x 1.90" Long
24	2	206110	Bolt, Carriage, 5/16-18 x 3.75" Long
25	1	600334	Cap, Pole
26	1		Net
27	1	203617	Plug
28	1	208938	Height Adjustment Label
	1	FR208938	
31	2	600338	Foot, Brace tube
32	1	901516	Brace tube, Square
33	2	203104	Hex Flange Bolt 5/16 x 2.00" Long
34	1	208990	Wrench, T-socket, 1/2"
35	1	208991	Wrench, flat, 1/2"

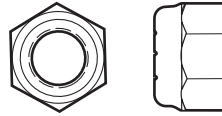
**HARDWARE IDENTIFIER (ALL BOLTS, NUTS AND WASHERS)**



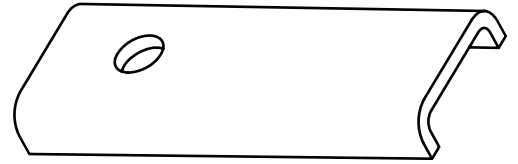
#4 (11)



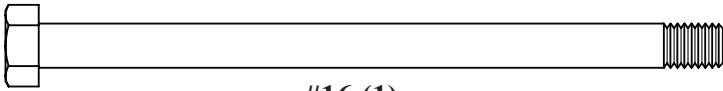
#7 (5)



#17 (1)



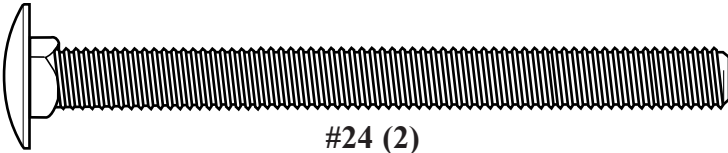
#19 (1)



#16 (1)



#3 (2)



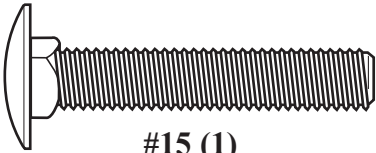
#24 (2)



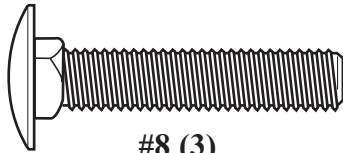
#33 (2)



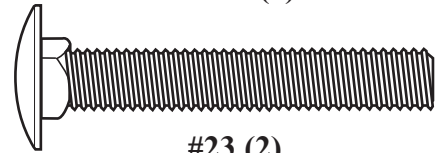
#13 (1)



#15 (1)

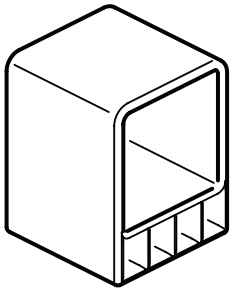


#8 (3)

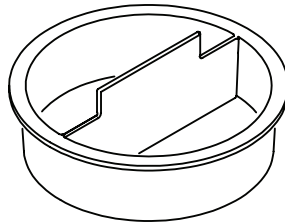


#23 (2)

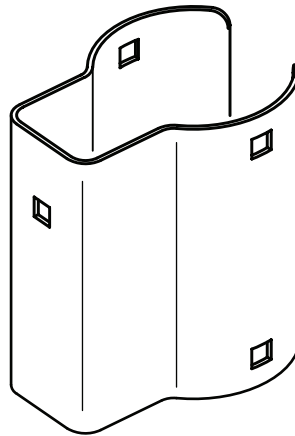
**HARDWARE IDENTIFIER (ALL OTHER)**



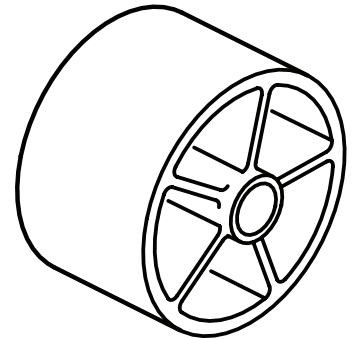
#31 (2)



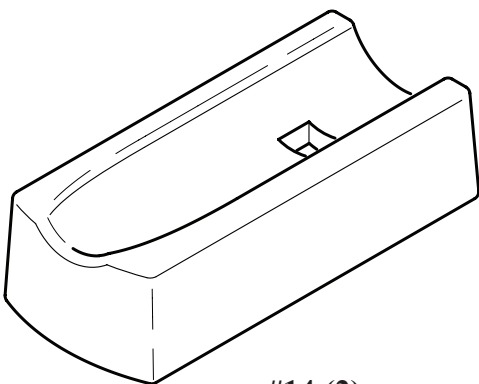
#27 (1)



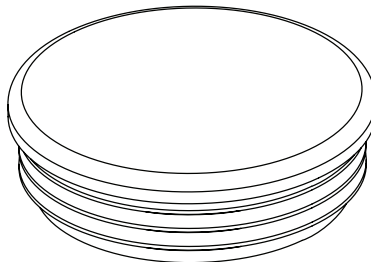
#18 (1)



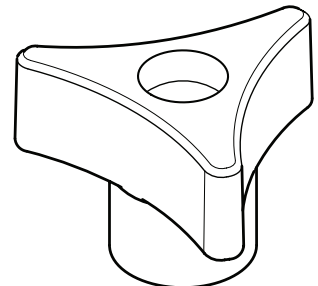
#2 (2)



#14 (2)



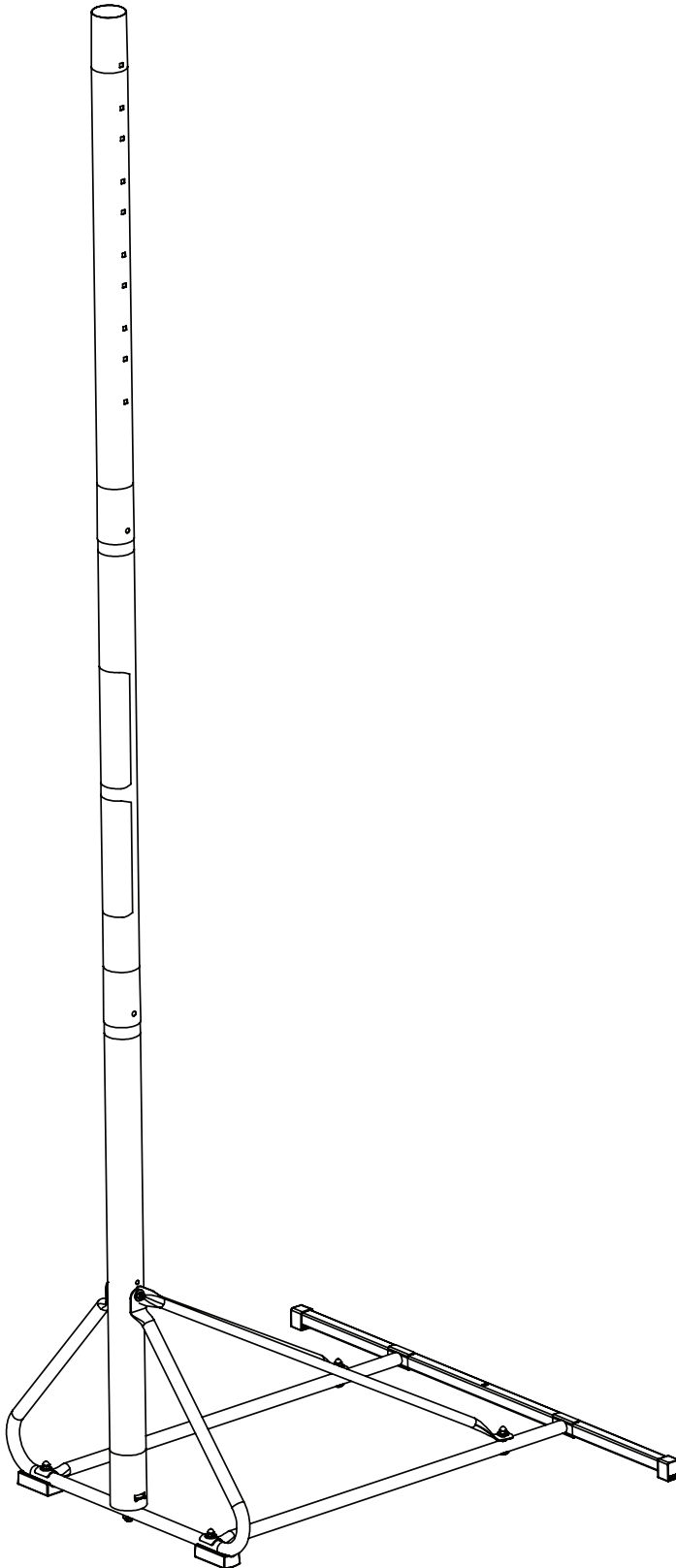
#25 (1)



#20 (3)

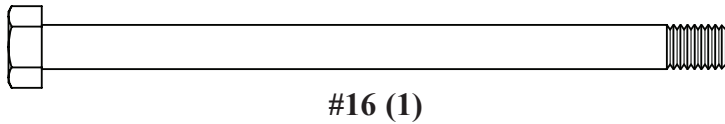
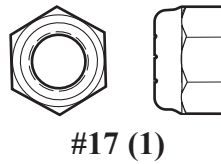
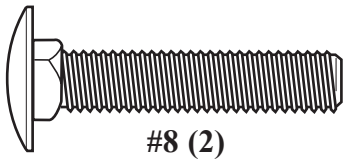
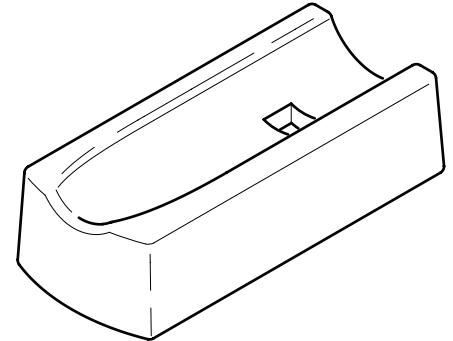
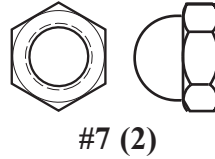
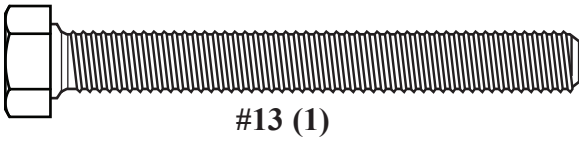
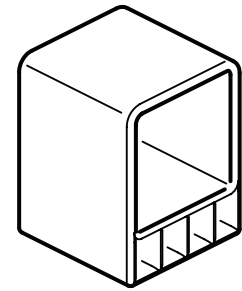
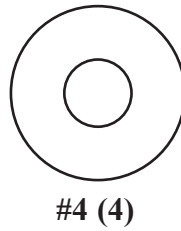
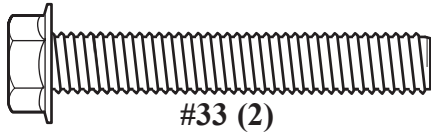
## SECTION A: ASSEMBLE THE POLE AND BASE SUPPORT

This is what your system will look like when you've finished this section.



# KIT #1

## BASE ASSEMBLY - HARDWARE IDENTIFIER KIT #1

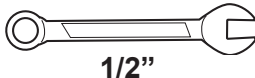


### BASE ASSEMBLY - PARTS LIST - KIT #1

<u>Item</u>	<u>Qty.</u>	<u>Part No.</u>	<u>Description</u>
4	4	203218	Washer, Flat 5/16
7	2	207610	Nut, Acorn, 5/16-18
8	2	208950	Bolt, Carriage, 5/16-18 x 1.625" Long
13	1	201518	Bolt, Hex, 5/16-18 x 2.75" Long
14	2	600331	Foot
16	1	201625	Bolt, Hex, 5/16-18 x 3.6" Long
17	1	203099	Nut, Nylock, 5/16-18
31	2	600338	Foot, Brace tube
33	2	203104	Hex Flange Bolt 5/16 x 2.00" Long

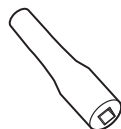
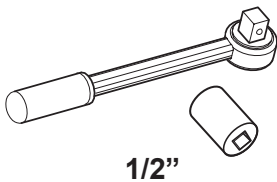
### TOOLS REQUIRED FOR THIS SECTION

(2) Wrenches

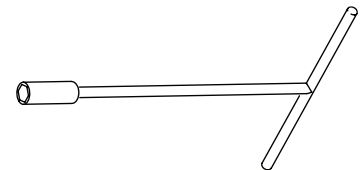


AND/OR

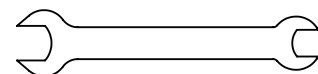
(2) Socket Wrenches and Sockets



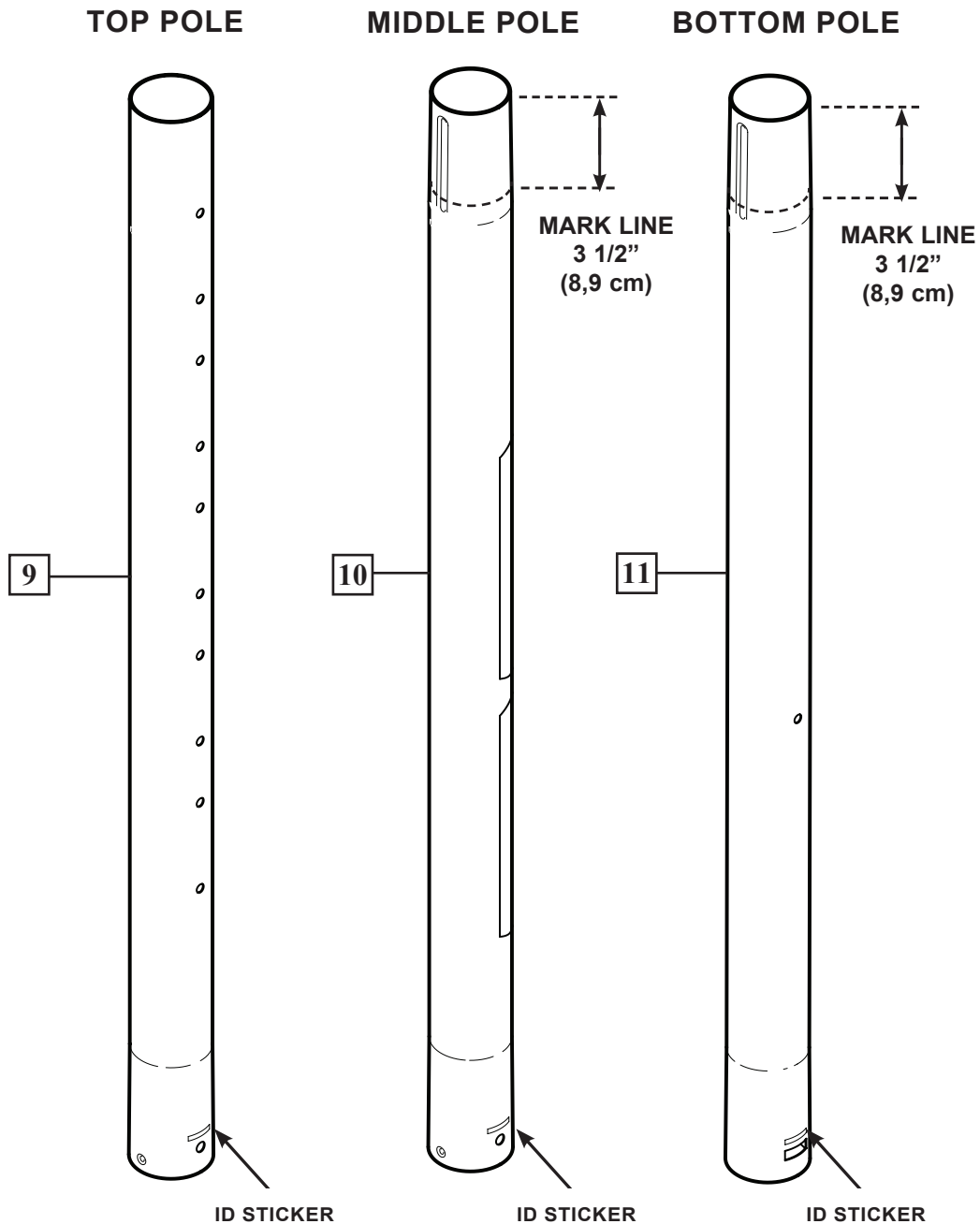
Included 1/2" T-socket wrench



Included 1/2" wrench



- 1.** Correctly identify each pole section visually and by ID Sticker.  
With a marker or tape measure, mark a line 3 1/2" from top end of middle (10) and bottom (11) poles.  
This will indicate the proper pole engagement distance.



**STOP AND CALL CUSTOMER SERVICE IF YOU  
HAVE ANY QUESTIONS OR NEED ASSISTANCE  
REGARDING ASSEMBLING THE POLE SECTIONS**

Toll-Free Customer Service Number for U.S: 1-800-558-5234,

For Canada: 1-800-284-8339,



For Europe: +353 51 379777 (Sweden: 009 555 85234),

For Australia: 1300 367 582

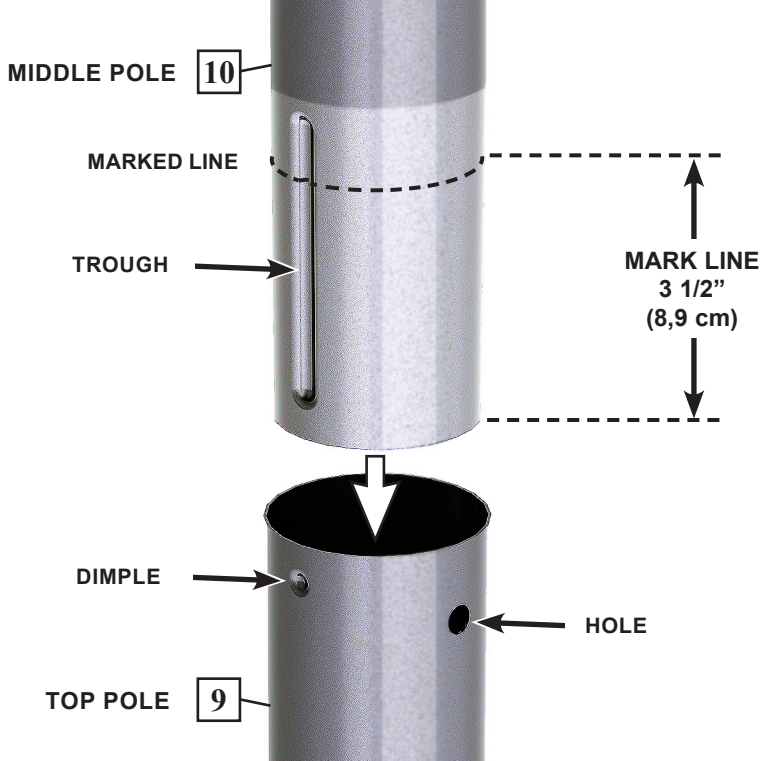
2. While maintaining alignment of dimple and trough, bounce **middle pole** section (10) into **top pole** section (9) using a wood scrap as shown until the top pole (9) is aligned with the marked line on the middle pole (10).  
*You should have a 3 1/2" (8,9 cm) of overlap when properly assembled.*

 **CAUTION!**

WHEN PROPERLY POUNDED TOGETHER, THE POLE SECTIONS SHOULD HAVE A 3-1/2" (8,9 CM) OVERLAP.

 **IMPORTANT!** 

Align dimple of top pole section (9) into trough of middle pole section (10) as shown.



MIDDLE POLE 10

MARKED LINE

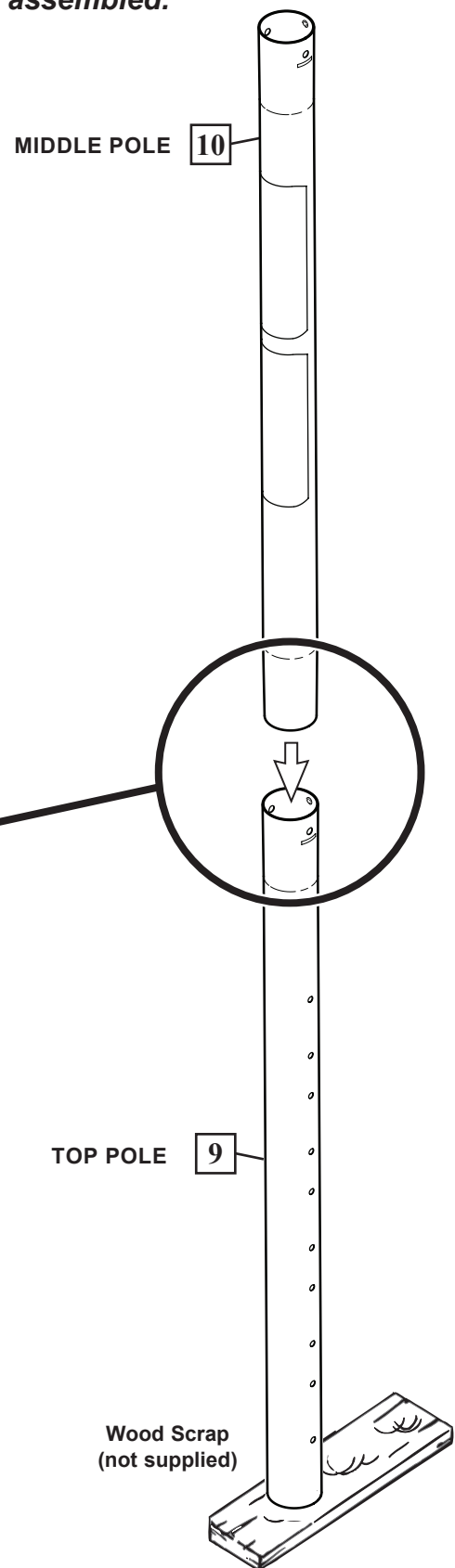
TROUGH

MARK LINE 3 1/2" (8,9 cm)


DIMPLE

HOLE



TOP POLE 9



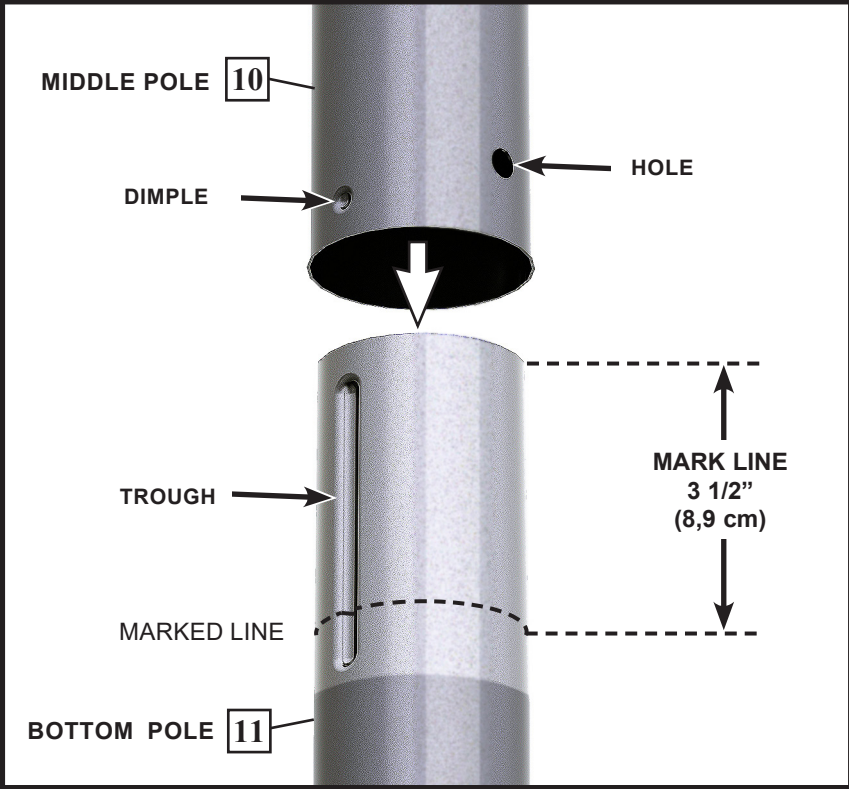
- 3.** While maintaining alignment of dimple and trough, bounce top and middle pole assembly (9 and 10) onto bottom pole section (11) using a wood scrap as shown. Bounce until the top and middle pole assembly (9 and 10) is aligned with the marked line on the bottom pole (11).  
*You should have a 3 1/2" (8,9 cm) of overlap when properly assembled.*

 **CAUTION!**

WHEN PROPERLY POUNDED TOGETHER, THE POLE SECTIONS SHOULD HAVE A 3-1/2" (8,9 CM) OVERLAP.

 **IMPORTANT!** 

Align dimple of middle pole section (10) into trough of bottom pole section (11) as shown.



MIDDLE POLE 10

DIMPLE

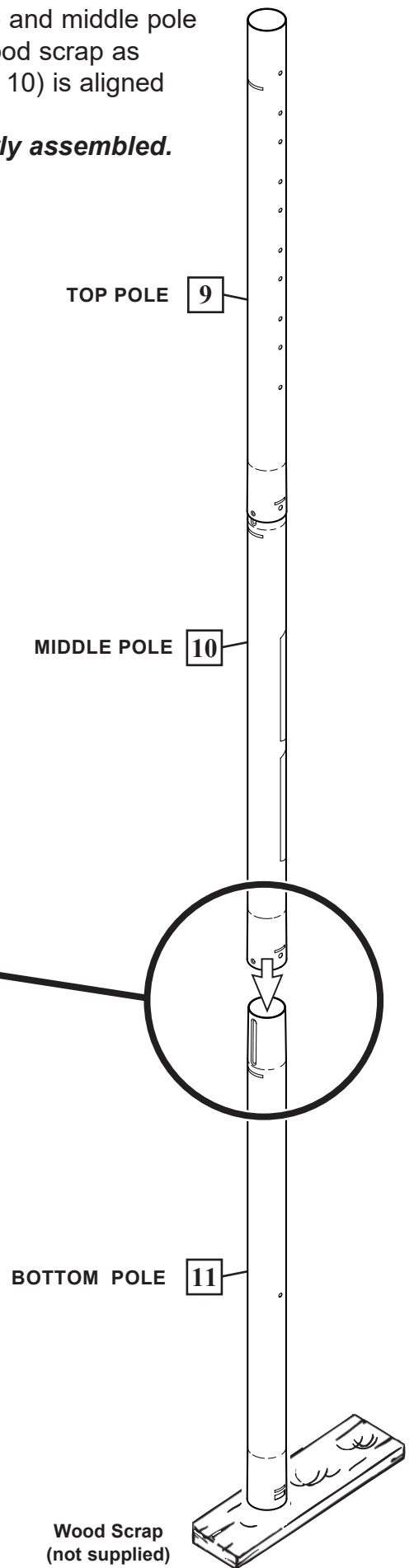
HOLE

TROUGH

MARKED LINE

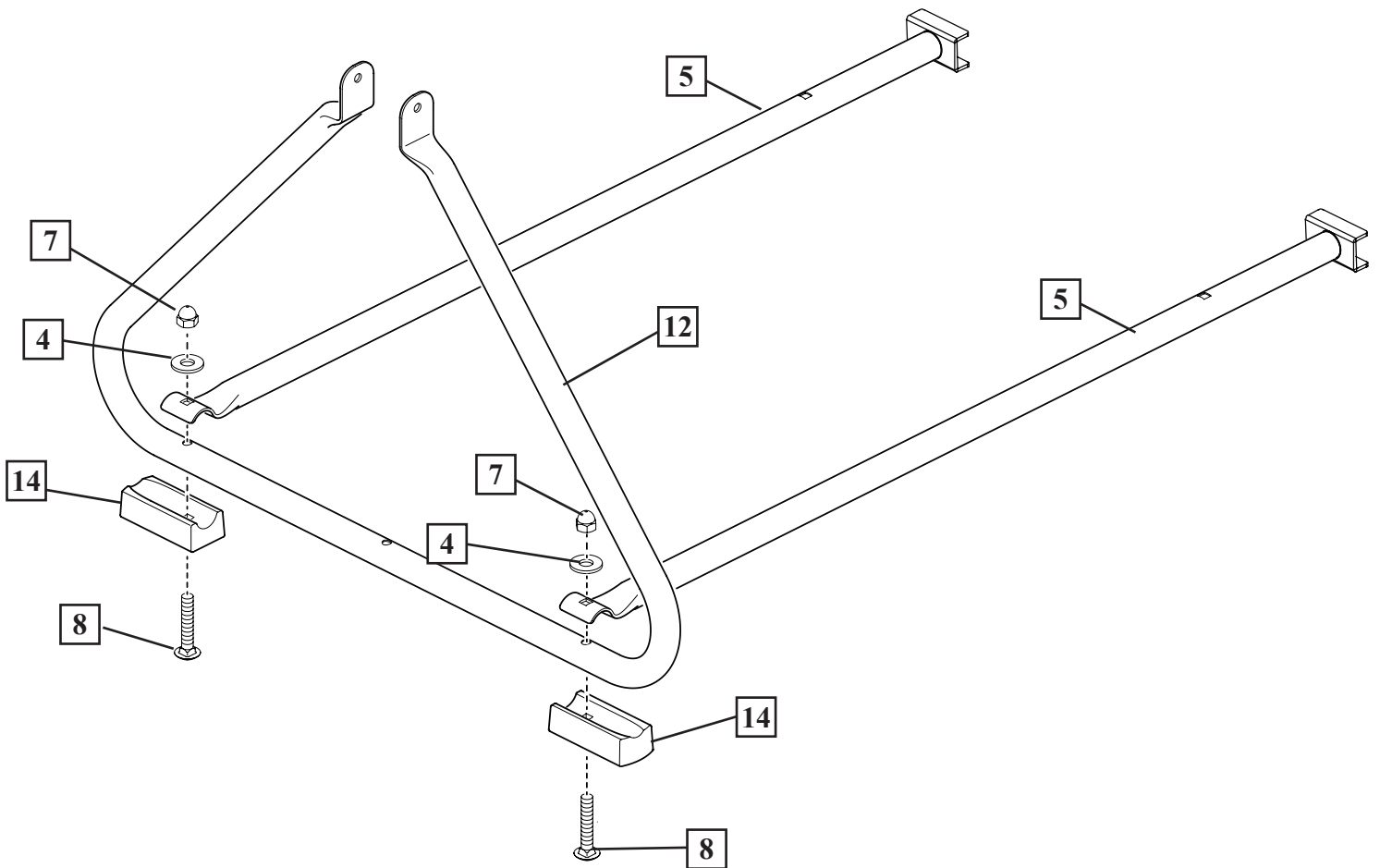
MARK LINE 3 1/2" (8,9 cm)

BOTTOM POLE 11





4. Secure V-strut (12) and feet (14) to connector tubes (5) using carriage bolt (8) washer (4) and nut (7) as shown.



5.

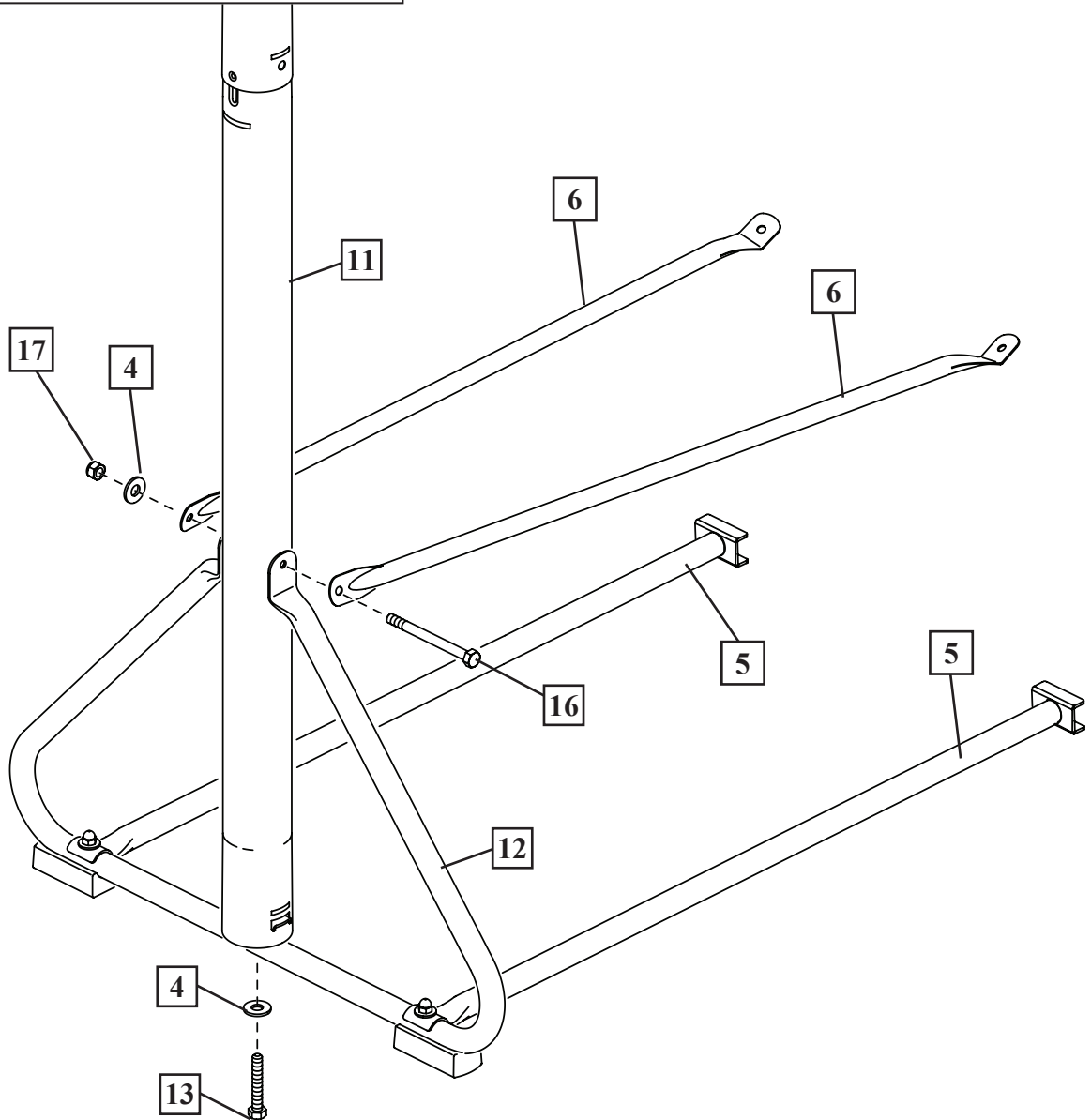
Secure V-strut (12) and struts (6) to pole (11) using bolt (16) washers (4) and nut (17) as shown. Then attach bottom of pole (11) to V-strut (12) using bolt (13) and washer (4) as shown. Do not tighten completely at this stage of assembly.

 **WARNING!** 

TWO PEOPLE REQUIRED FOR THIS PROCEDURE. FAILURE TO FOLLOW THIS WARNING COULD RESULT IN SERIOUS INJURY AND/OR PROPERTY DAMAGE.

 **IMPORTANT!**

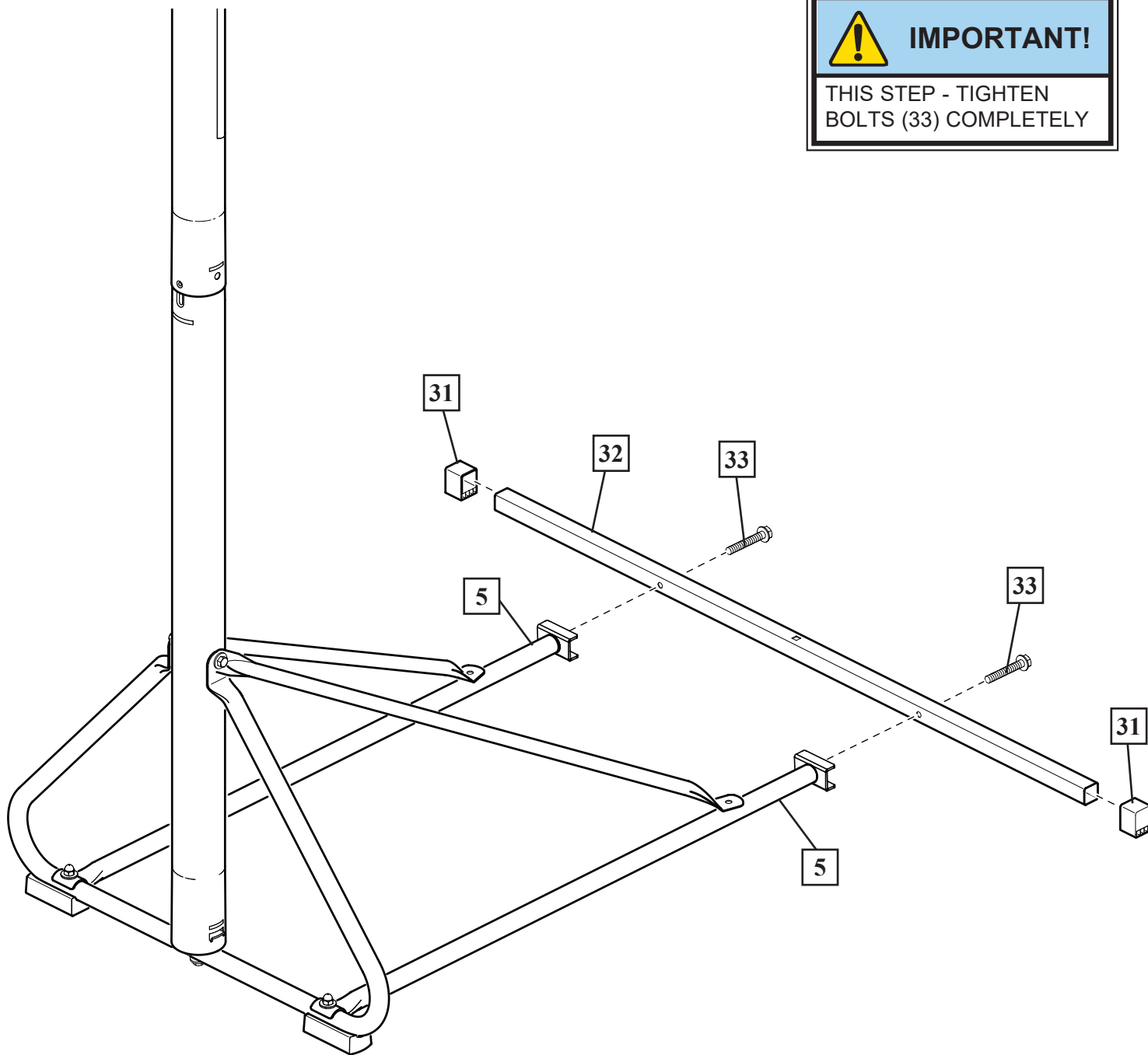
DO NOT TIGHTEN COMPLETELY



6.

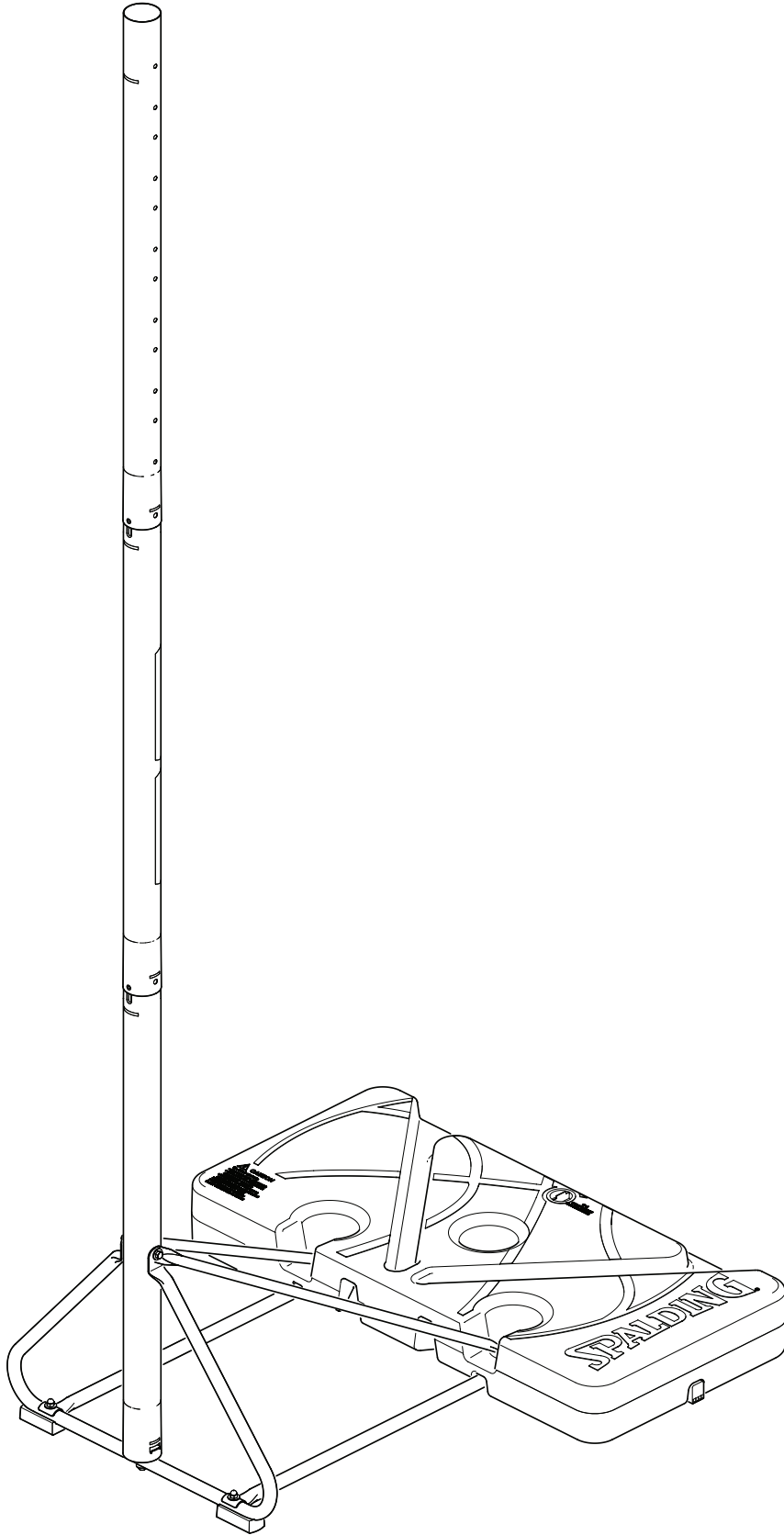
Assemble brace tube (32) to connector tubes (5) using bolts (33). Slide feet (31) onto ends of brace tube (32) as shown. Tighten bolts (33) completely for this step.

 **IMPORTANT!**  
THIS STEP - TIGHTEN  
BOLTS (33) COMPLETELY



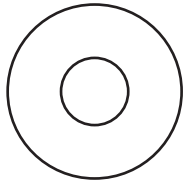
## SECTION B: ASSEMBLE THE BASE

This is what your system will look like when you've finished this section.



# KIT #2

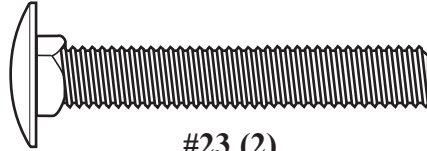
## POLE TO BASE ASSEMBLY - HARDWARE IDENTIFIER KIT #2



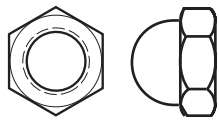
#4 (7)



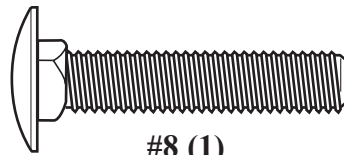
#3 (2)



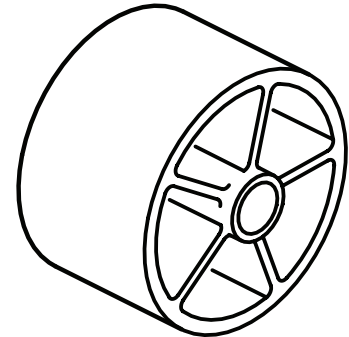
#23 (2)



#7 (3)



#8 (1)



#2 (2)

### POLE TO BASE ASSEMBLY - PARTS LIST - KIT #2

**Item Qty. Part No. Description**

<u>Item</u>	<u>Qty.</u>	<u>Part No.</u>	<u>Description</u>
2	2	600333	Wheel
3	2	108903	Wheel, Axle
4	7	203218	Washer, Flat 5/16
7	3	207610	Nut, Acorn, 5/16-18
8	1	208950	Bolt, Carriage, 5/16-18 x 1.625" Long
23	2	203103	Bolt, Carriage, 5/16-18 x 1.9" Long

### TOOLS REQUIRED FOR THIS SECTION

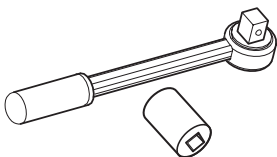
(2) Wrenches



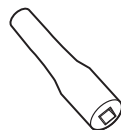
1/2"

AND/OR

(2) Socket Wrenches and Sockets

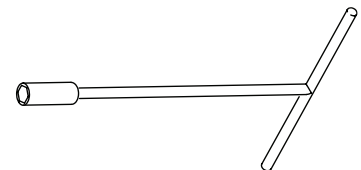


1/2"

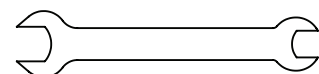


Extension

Included 1/2" T-socket wrench



Included 1/2" wrench



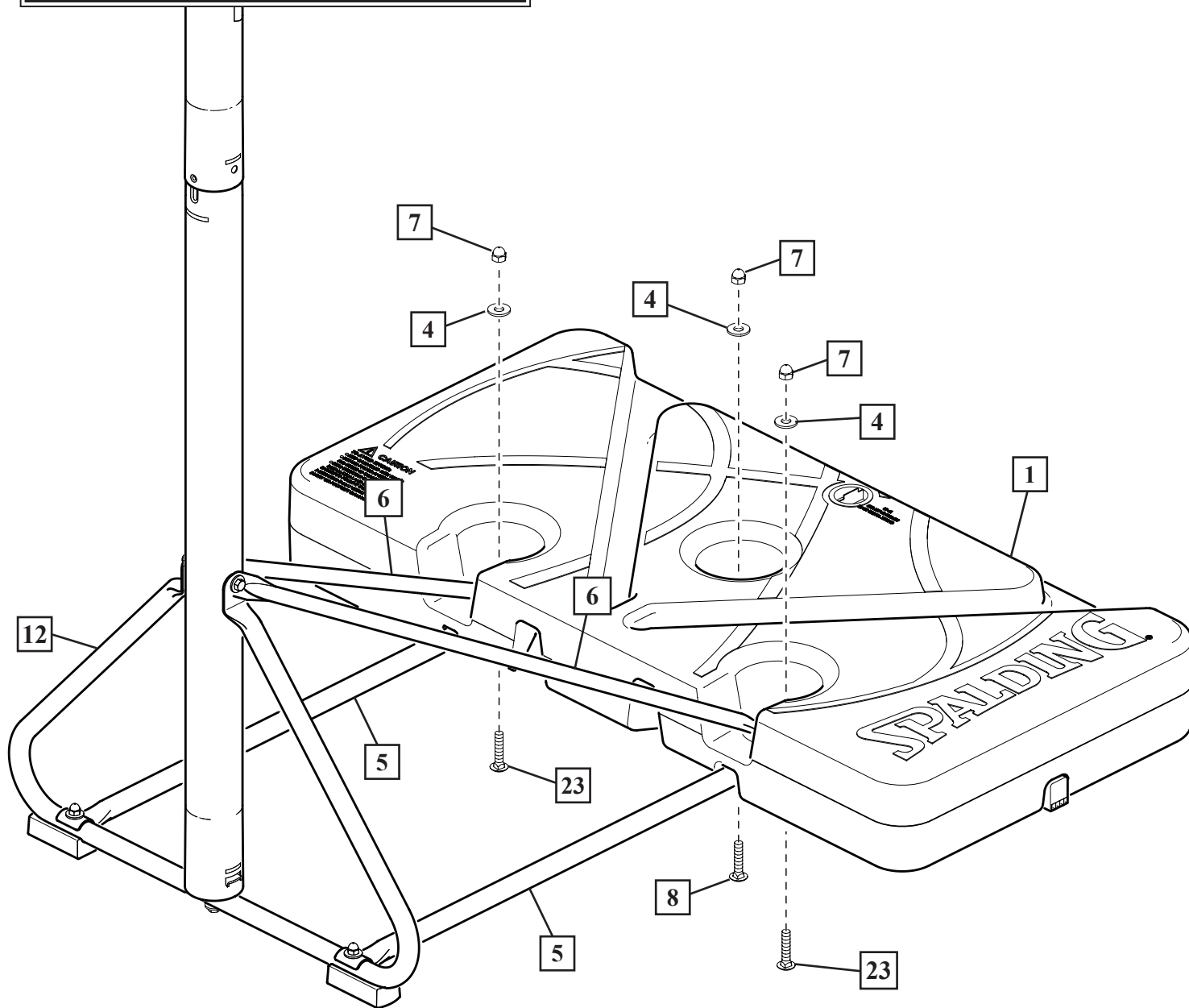
- 7.** Assemble base (1) to support tube assembly (5) and struts (6) using bolts (8, 23) washers (4) and nuts (7) as shown. Tighten all fasteners at this point.

 **WARNING!** 

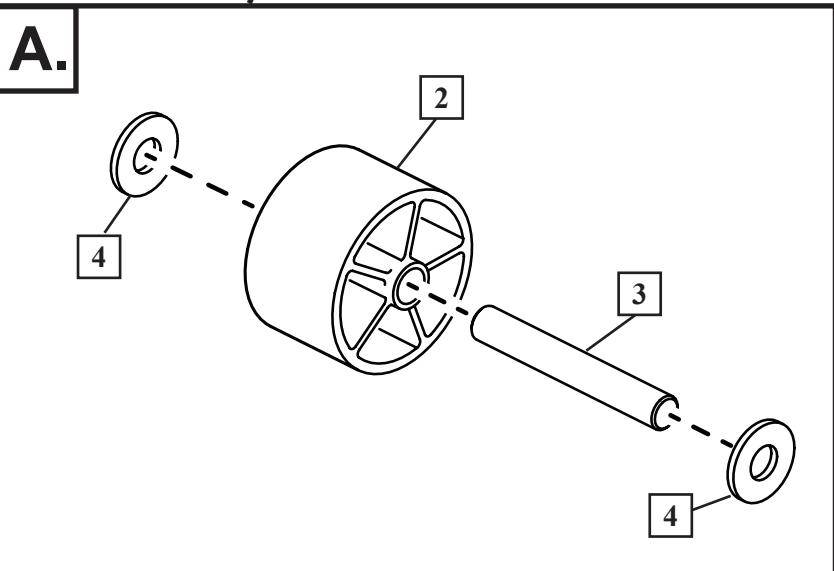
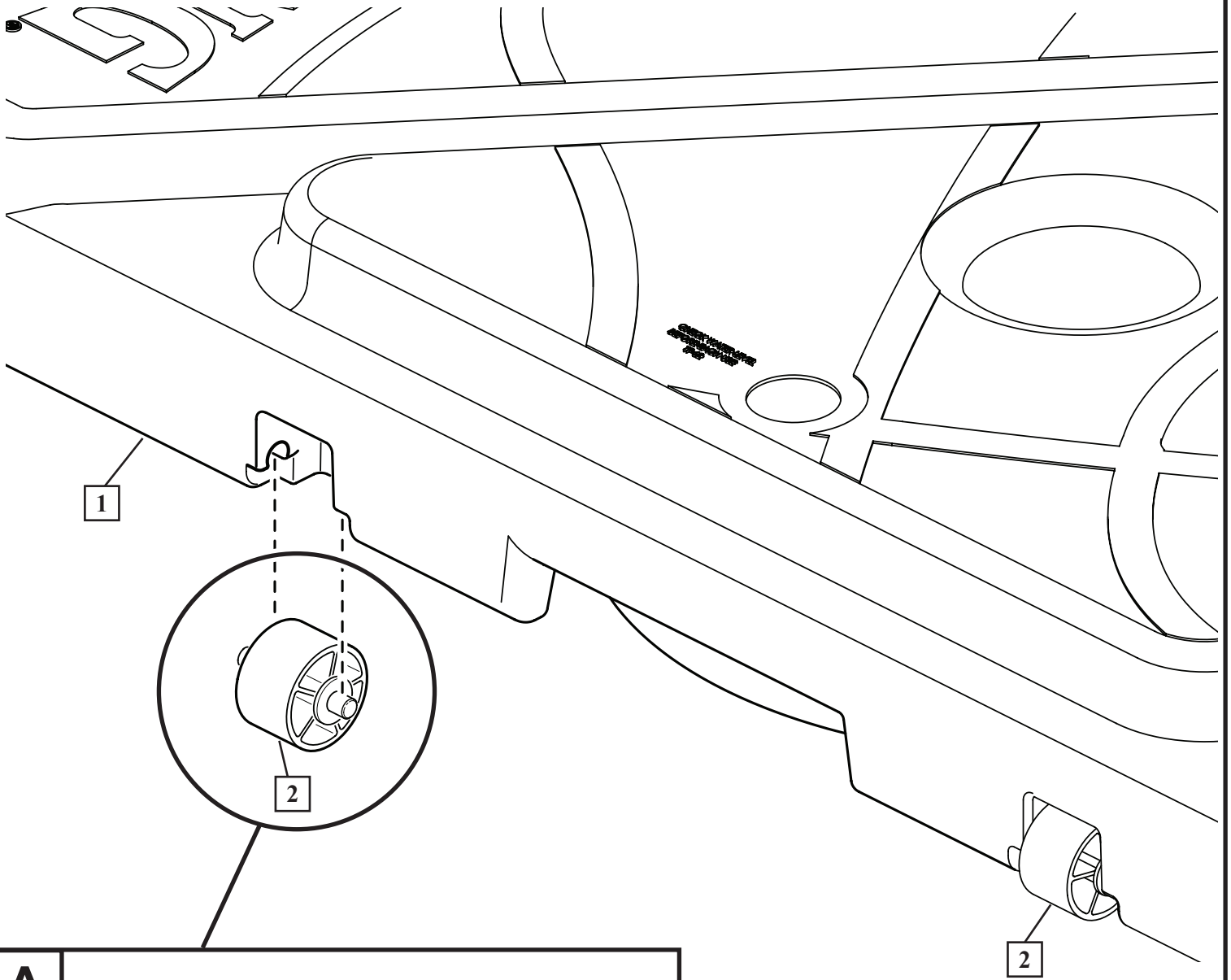
TWO PEOPLE REQUIRED FOR THIS PROCEDURE. FAILURE TO FOLLOW THIS WARNING COULD RESULT IN SERIOUS INJURY AND/OR PROPERTY DAMAGE.

 **IMPORTANT!**

TIGHTEN ALL COMPONENTS COMPLETELY (STEPS 4, 5, 7).

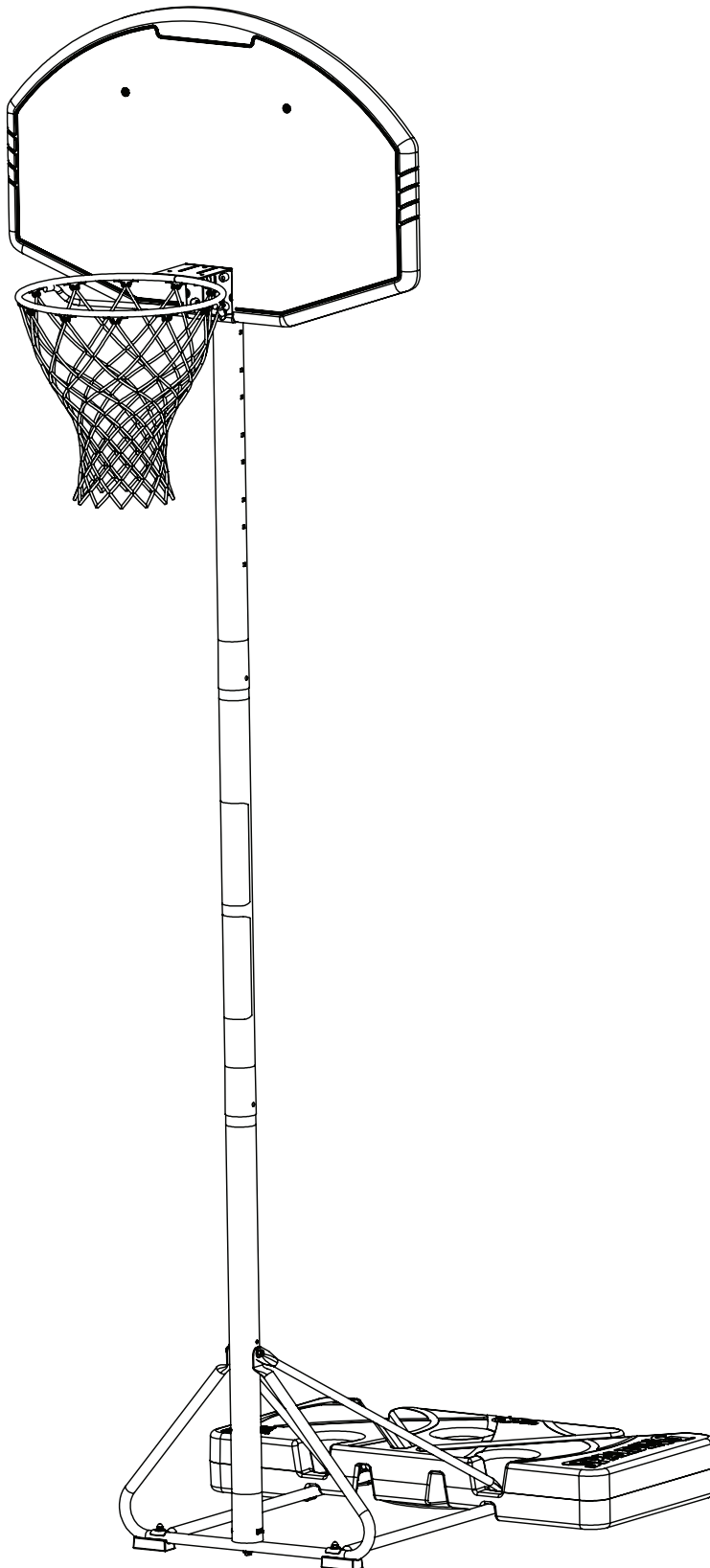


- 8.** Complete wheel assembly as shown in **Figure A**. Assemble wheel (2), axle (3), and washers (4). Snap wheel assembly into place on base (1) as shown. Repeat procedure for opposite wheel.

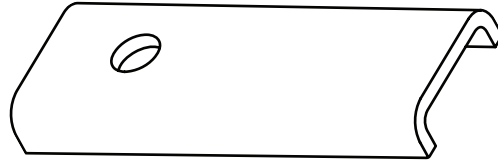


## SECTION C: ATTACH THE BACKBOARD

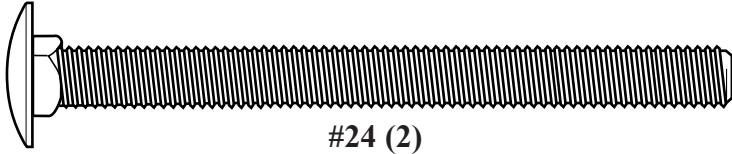
This is what your system will look like when you've finished this section.







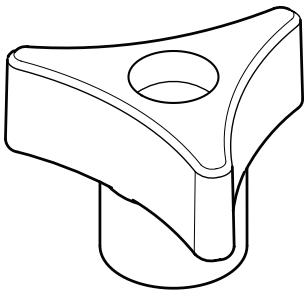
#19 (1)



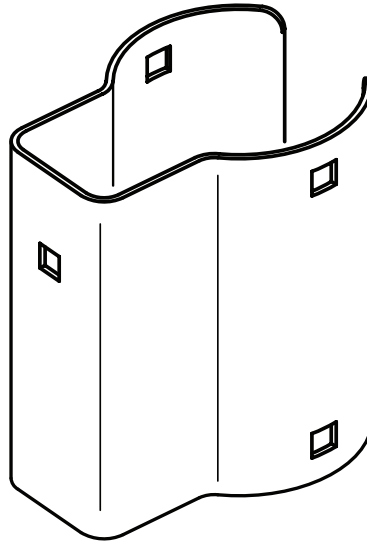
#24 (2)



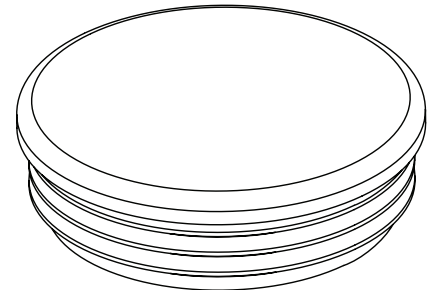
#15 (1)



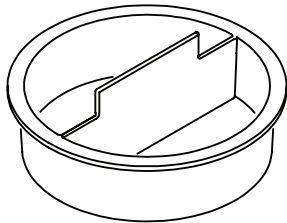
#20 (3)



#18 (1)



#25 (1)



#27 (1)

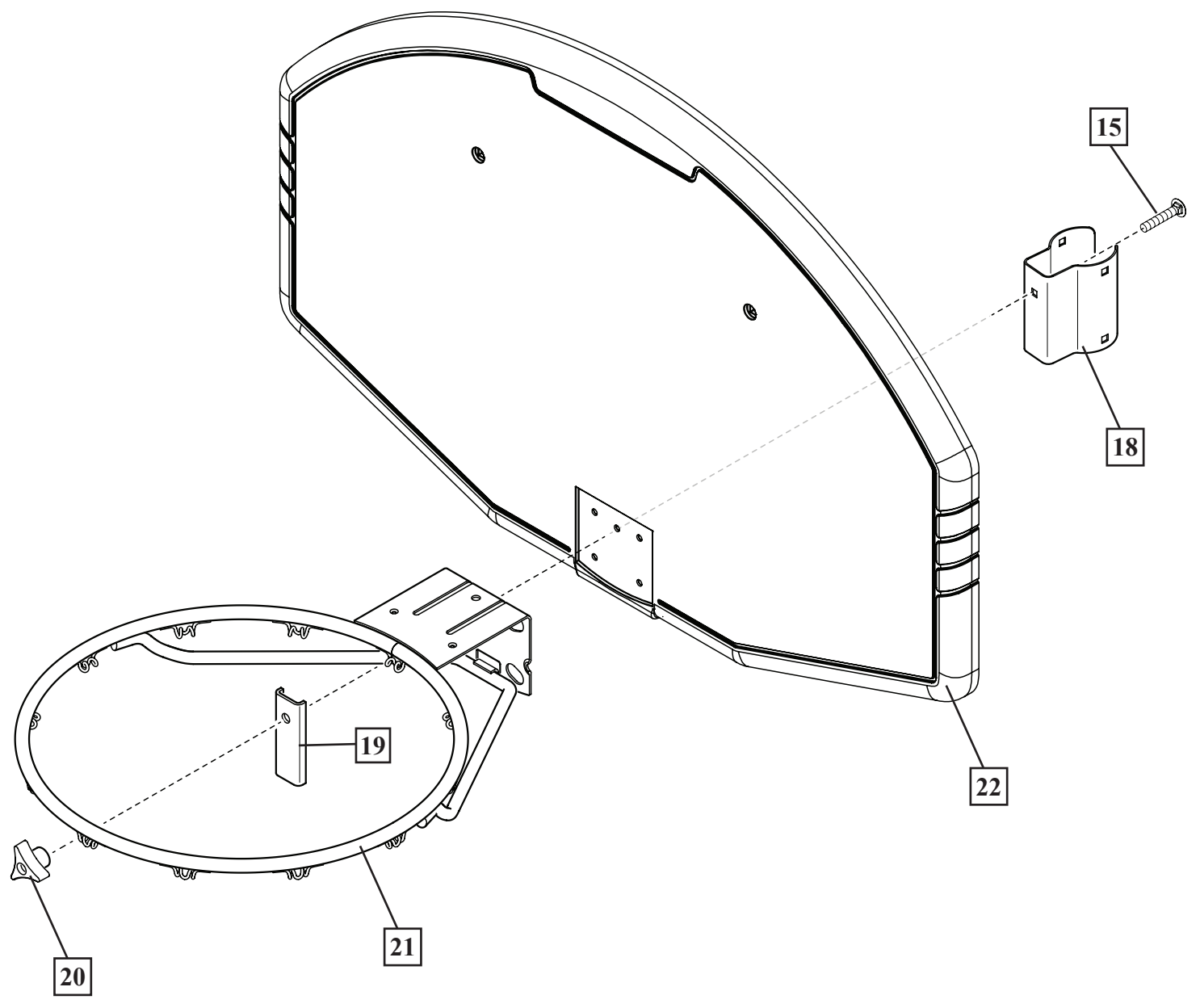
**BACKBOARD ASSEMBLY PARTS LIST - KIT #3**

**Item Qty. Part No. Description**

15	1	203084	Bolt, Carriage, 5/16-18 x 1.75" Long
18	1	901364	Pole Mounting Bracket
19	1	902319	Reinforcement Bracket
20	3	201344	Knob, Plastic, 3-Sided
24	2	206110	Bolt, Carriage, 5/16-18 x 3.75" Long
25	1	600334	Cap, Pole
27	1	203617	Plug

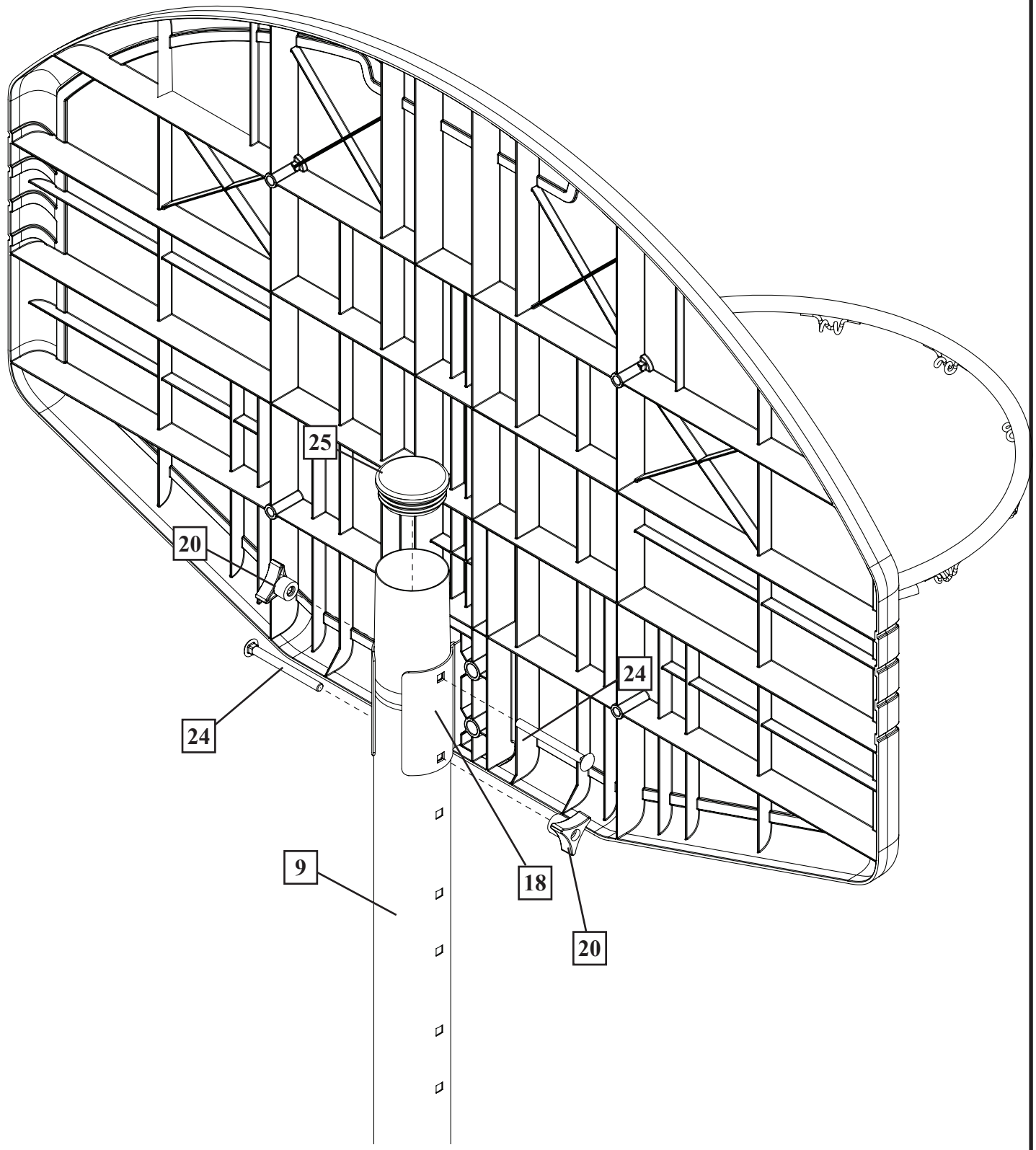
**9.** Install pole mount bracket (18) and rim (21) using bolt (15) reinforcement bracket (19) and the hand-tightened knob (20).

**!** **IMPORTANT!**  
DO NOT OVER TIGHTEN.

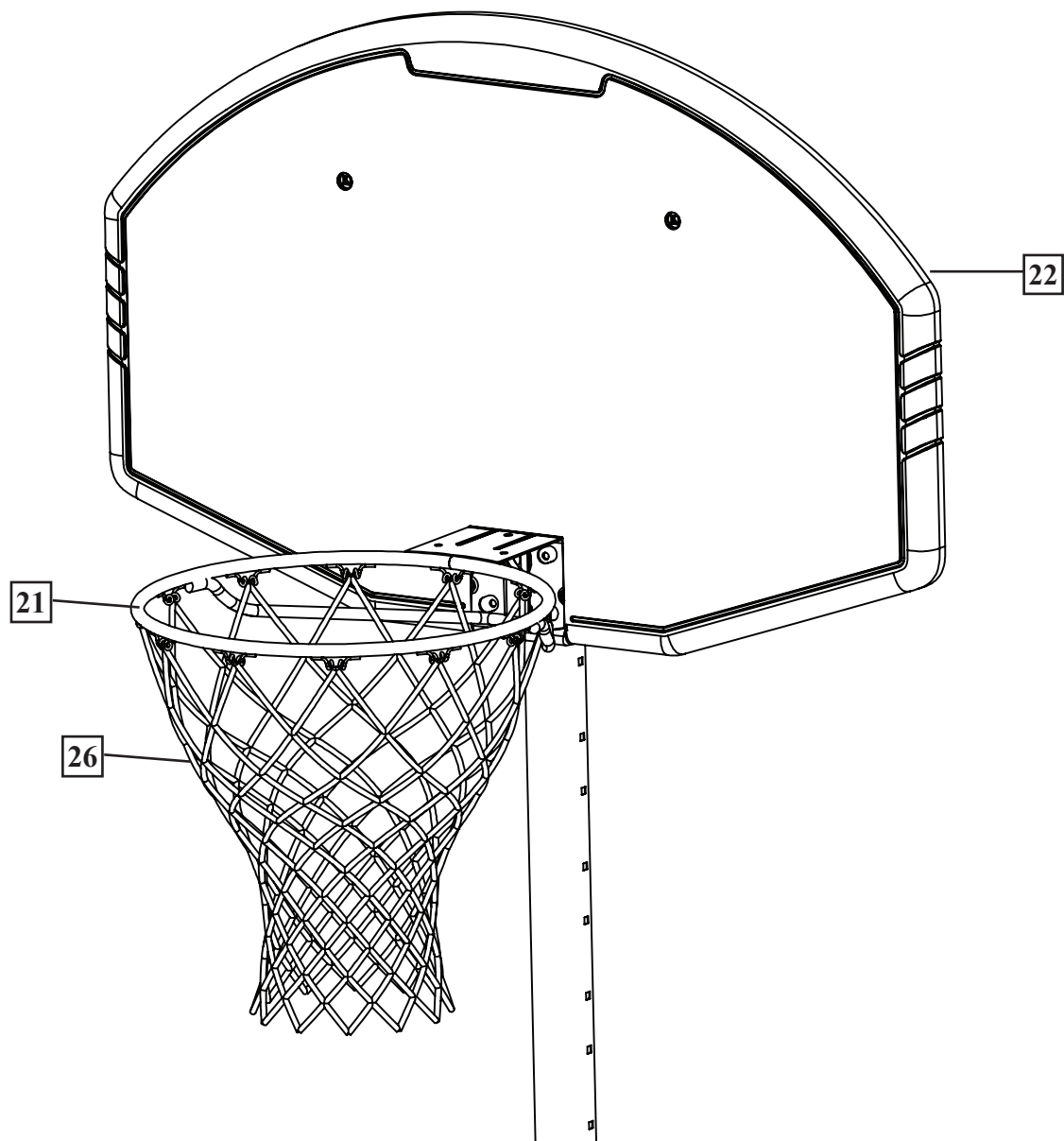


- 10.** Install Pole bracket (18) to pole (9) using carriage bolts (24) and Tri-knob screws (20).  
Install Pole Cap (25) to top of Pole (9)

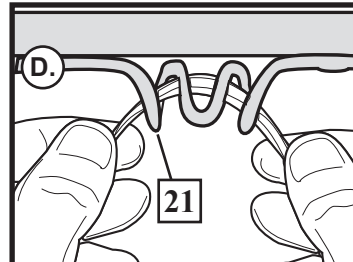
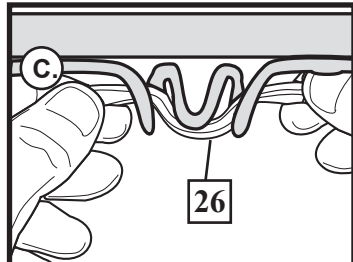
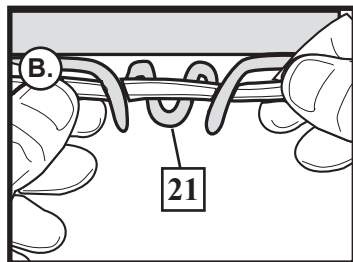
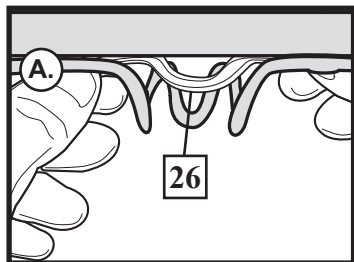
**!** **IMPORTANT!**  
DO NOT OVER TIGHTEN.



**11.** Install net (26) to Rim (21) as shown below.



**OUTSIDE VIEW**



12. Roll completed assembly to desired position. Fill base with water (approx. 17 gallons (64 Liters)) or sand (approx. 142 lbs. (53 kg)) and push the cap (27) into base (1).

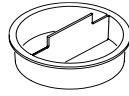


## CAUTION!

ADD TWO GALLONS (7.6 LITERS) OF NON-TOXIC ANTIFREEZE IN SUB-FREEZING CLIMATES.



## WARNING!



Cap (27) MUST be tightened COMPLETELY and SECURELY to prevent leakage. CHECK WATER LEVEL BEFORE EACH USE! FAILURE TO FOLLOW THIS WARNING COULD RESULT IN SERIOUS INJURY AND/OR PROPERTY DAMAGE.



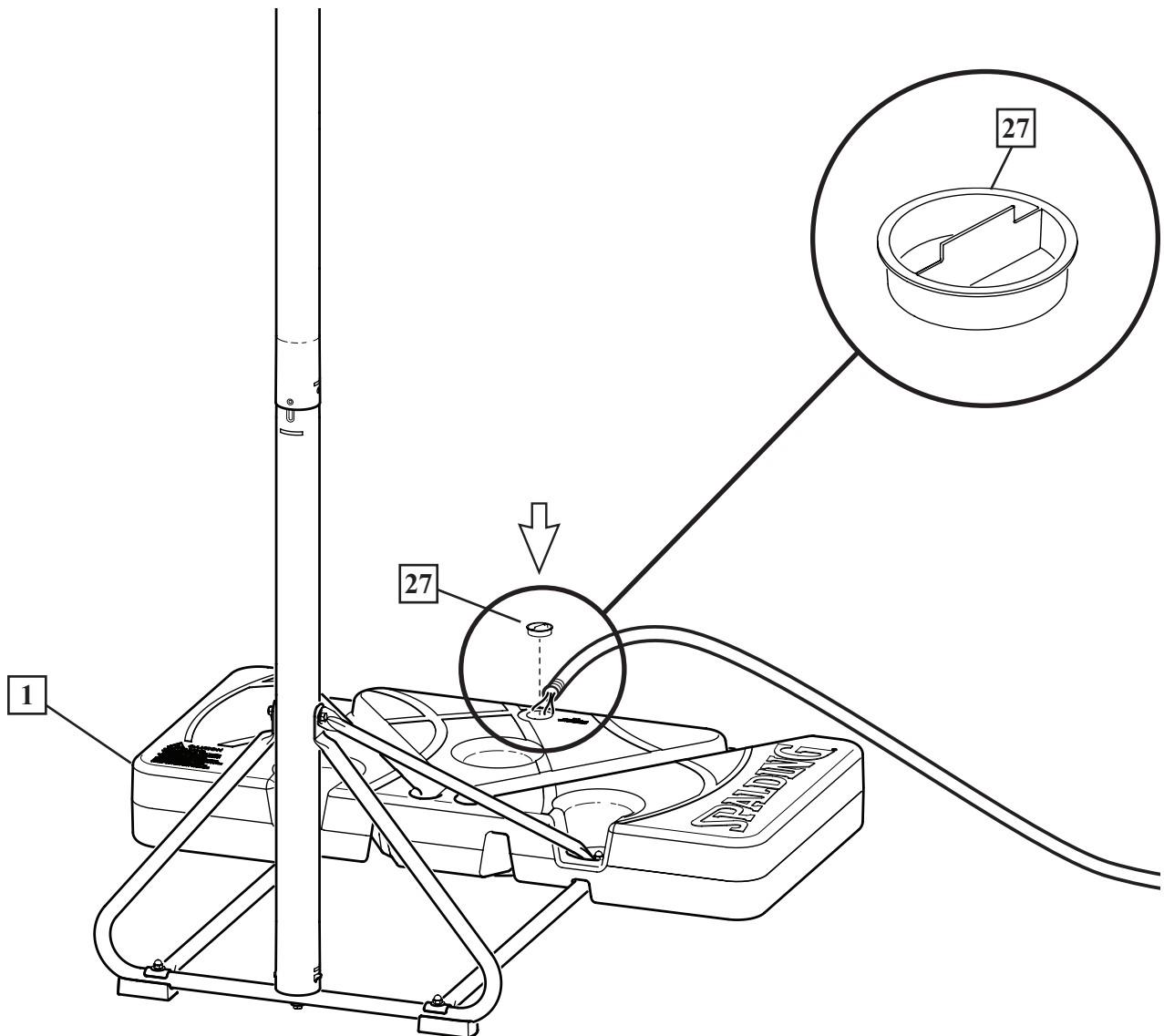
## NOTE:

**IF USING SAND:** 2 GALLONS OF ANTI-FREEZE IS **NOT** REQUIRED.

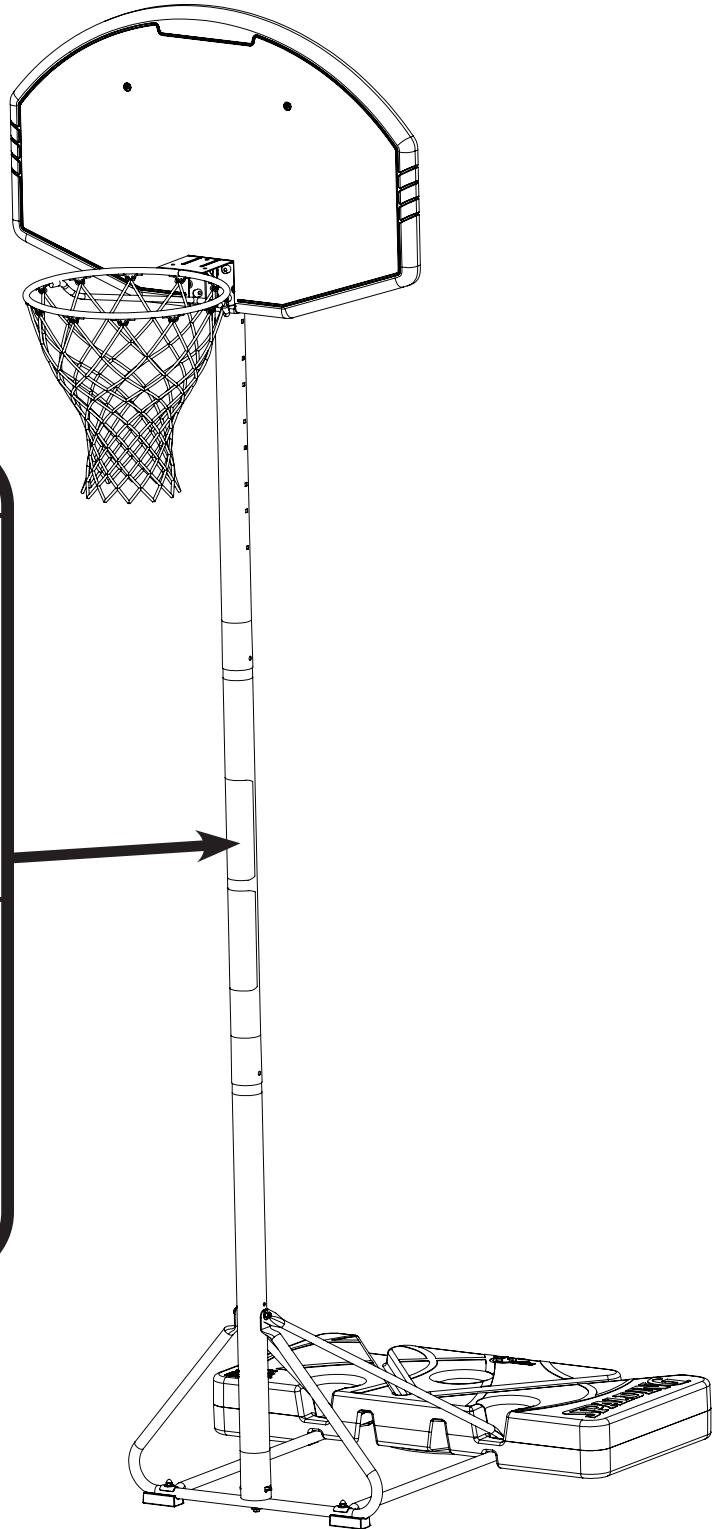


## WARNING!

DO NOT LEAVE ASSEMBLY UNATTENDED WHEN EMPTY; IT MAY TIP OVER.



**13.** Apply Height Adjustment and Moving Label (28) to front of pole, where it is clearly visible.

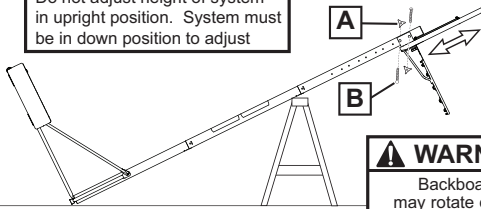


## HEIGHT ADJUSTMENT

Rest unit on support table. Remove adjustment knobs (A) and carriage bolts (B) to extend or retract backboard and rim. Height adjustment from 7.5' to 10'.

### WARNING

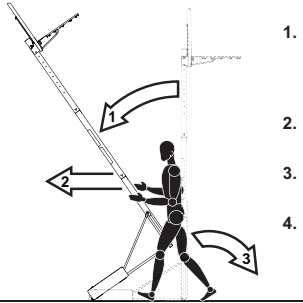
Do not adjust height of system in upright position. System must be in down position to adjust



### WARNING

Backboard may rotate during height adjustment.

## MOVING SYSTEM



1. While holding pole, rotate basketball system backward until wheels engage with ground.
2. Move basketball system to desired location.
3. Carefully rotate basketball system upright.
4. Check system for stability.

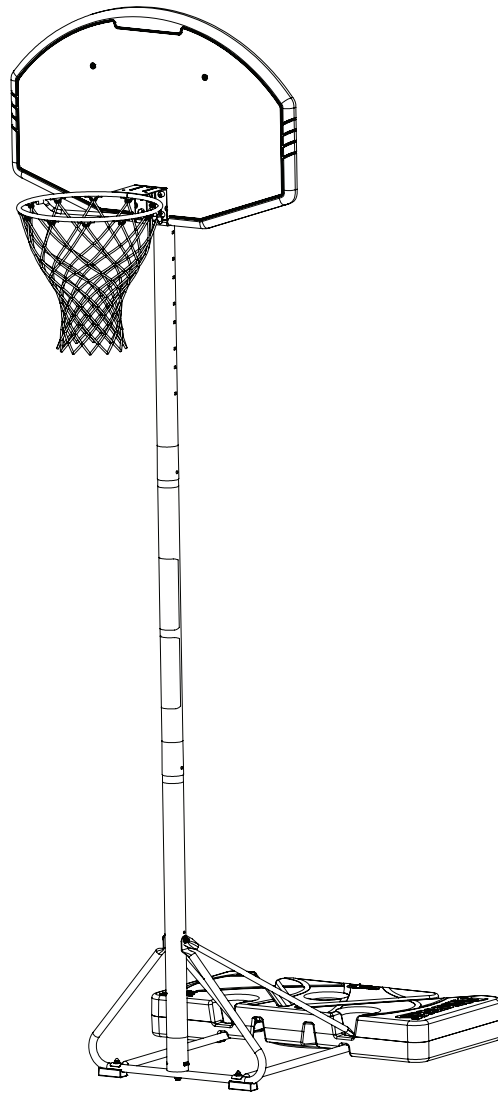
208938 07/18

28



English  
Español

# Sistema Portátil de Baloncesto Manual del Propietario



Escriba aquí el número de modelo de la caja:

	<b>⚠ ¡ADVERTENCIA!</b>
	<p>LEA Y COMPRENDA EL MANUAL DEL OPERADOR ANTE DE USAR ESTE EQUIPO.</p> <p>NO CUMPLIR CON LAS INSTRUCCIONES DE FUNCIONAMIENTO PODRÍA OCASIONAR LESIONES O DAÑOS MATERIALES.</p>

Se debe guardar y tener a mano este manual, junto con el comprobante de venta, como un manual de consulta conveniente ya que contiene información importante sobre su modelo.

Teléfono gratuito de Servicio al Cliente para Estados Unidos: **1-800-558-5234**,  
para Canadá: **1-800-284-8339**,  
para Europa: **00 800 555 85234** (Suecia: **009 555 85234**),  
para Australia: **1300 367 582**

# ¡IMPORTANTE!



¿Preguntas o piezas faltantes?

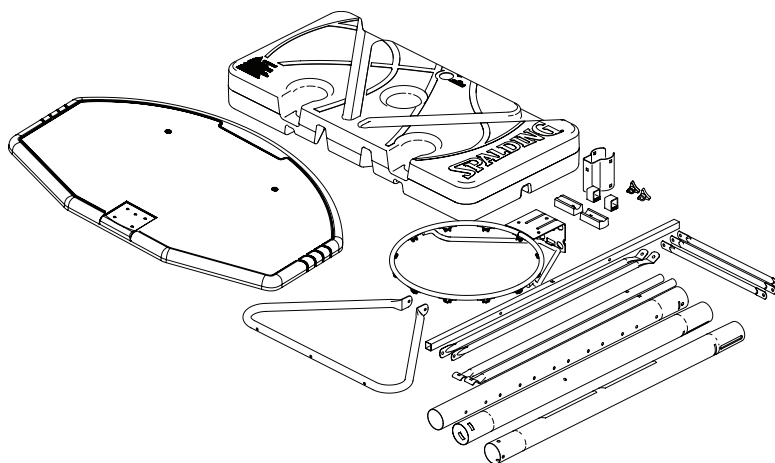
**¡NO regrese a la tienda!**

¡Llame al número de Servicio al Cliente GRATUITO  
que se encuentra en la página delantera!



## ¡ANTES DE EMPEZAR SAQUE TODO EL CONTENIDO!

Saque **TODO** el contenido de las cajas.  
Asegúrese de revisar **DENTRO** de las secciones de postes;  
hay tornillería y piezas adicionales embaladas dentro de estas.



### **AVISO A LOS ENSAMBLADORES**



**El ensamblaje debe ser realizado por adultos**

*Deseche **TODOS** los materiales de embalaje de manera oportuna.*

*Como con todos los productos, inspeccione periódicamente que no haya partes sueltas.*

*La unidad ensamblada **DEBE** quedar **EN TODO** momento llena de arena o agua.*

***TODOS** los sistemas de baloncesto, incluidos los utilizados para **EXHIBICIÓN**,  
**DEBEN** ensamblarse e instalarse según las instrucciones.*

*El no acatar las instrucciones puede ocasionar **LESIONES GRAVES**.*

***NO** es aceptable idear un sistema de apoyo improvisado.*

Correo electrónico: [SpaldingCustomerService@fotlinc.com](mailto:SpaldingCustomerService@fotlinc.com)

Spalding  
PO Box 90015  
Bowling Green, KY 42103-7932



## MATERIALES REQUERIDOS:



• 2 adultos capaces

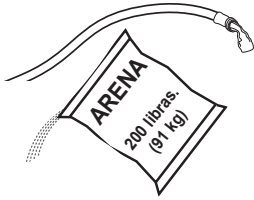


• Tablero de madera (desecho)



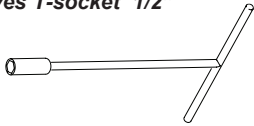
• Caballete o tabla de soporte

• Manguera de jardín o arena

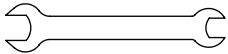


## HERRAMIENTAS INCLUIDAS:

• Llaves T-socket 1/2"

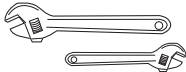


• Llaves 1/2"

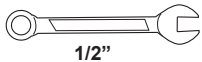


## HERRAMIENTAS OPCIONALES Y MATERIALES:

• Llaves ajustables grandes y pequeñas

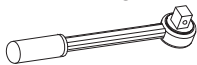


• (2 de cada una) Llaves y/o llaves de cubo y cubos (se recomiendan cubos de pozo profundo).



1/2"

Y/O



1/2"

• La extensión es recomendada.

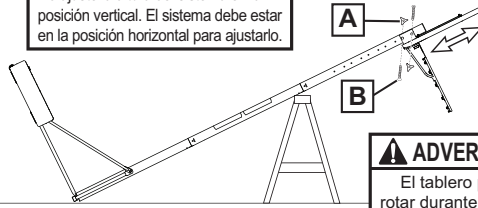


## AJUSTE DE LA ALTURA

Apoye la unidad sobre una mesa de soporte. Retire las perillas de ajuste (A) y los pernos de carruaje (B) para extender o retraer el tablero y el aro. Ajuste la altura entre 7,5 y 10 pies (2,3 a 3,0 m).

### ADVERTENCIA

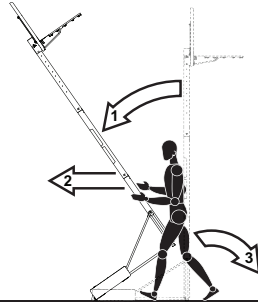
No ajuste la altura del sistema en la posición vertical. El sistema debe estar en la posición horizontal para ajustarlo.



### ADVERTENCIA

El tablero podría rotar durante el ajuste de altura.

## PARA MOVER EL SISTEMA



1. Mientras sujeta el poste, gire el sistema de baloncesto hacia atrás hasta que las ruedas toquen el suelo.
2. Mueva el sistema de baloncesto a la ubicación deseada.
3. Gire con cuidado el sistema de baloncesto a la posición vertical.
4. Verifique que el sistema quede en una posición estable.

208938 07/18



## ADVERTENCIA

LEA Y COMPRENDA LAS ADVERTENCIAS QUE SE INCLUYEN A CONTINUACIÓN ANTES DE UTILIZAR EL PRODUCTO.

EL INCUMPLIMIENTO DE ESTAS ADVERTENCIAS PODRÍA OCASIONAR LESIONES GRAVES Y/O DAÑOS MATERIALES.

Para que el funcionamiento del sistema sea seguro, el propietario debe asegurarse de que todos los jugadores conozcan y sigan estas reglas.

- NO se cuelgue del aro, ni de ninguna otra parte del sistema, incluidos el tablero, los soportes de apoyo o la red.
- Durante el juego, y especialmente al hacer mates o acciones similares, tenga precaución y mantenga la cara alejada del tablero, el aro y la red. Se podrían producir lesiones graves si los dientes o la cara entran en contacto con el tablero, el aro o la red.
- NO se deslice ni se suba en la base ni en el poste. NO mueva la base ni el poste, ni juegue en ellos.
- Una vez haya completado el montaje, llene el sistema por completo con agua o arena. Nunca deje el sistema en posición vertical sin que la base esté llena con peso, ya que el sistema podría volcarse y provocar lesiones y/o daños materiales.
- NO añada contrapesos encima de la base (como sacos de arena o bloques de hormigón). El contrapeso podría agrietar la base, lo que causaría fugas y podría provocar que el sistema se volcase. NO coloque contrapeso encima de la base como alternativa al llenado de la base con agua o arena.
- Cuando ajuste la altura o mueva el sistema, mantenga las manos y los dedos alejados de las piezas que se mueven.
- NO permita que los niños muevan o ajusten el sistema.
- NO lleve puestas joyas durante el juego (anillos, relojes, collares, etc.). Estos objetos podrían engancharse a la red.
- La superficie sobre la que se ubique la base debe ser lisa y no presentar grava u objetos afilados. La base podría sufrir perforaciones o grietas, lo que causaría fugas y podría provocar que el sistema se volcase.
- Mantenga cualquier materia orgánica y el agua alejados de la base del poste. La hierba, el agua, los desechos, etc. podrían provocar corrosión y/o deterioro.
- Mantenga el poste superior tapado con la tapa en todo momento. Si entran restos o agua en el poste por la parte superior, al estar destapada, el interior del poste podría sufrir los efectos de la corrosión.
- COMPRUEBE que el sistema del poste no presenta signos de corrosión (óxido, hendiduras, astillas) y dé una capa de pintura en esmalte para exterior. Si detecta óxido en el acero, sustituya el poste de inmediato.
- COMPRUEBE el sistema antes de cada uso para asegurarse de que está equilibrado, de que no hay piezas sueltas, de que no se aprecia un desgaste excesivo ni signos de corrosión. Sustituya o repare antes de cada uso.
- COMPRUEBE la estabilidad del sistema antes de cada uso.
- NO utilice o deje el sistema en posición vertical durante condiciones meteorológicas adversas o de viento, ya que el sistema podría volcarse. Coloque el sistema en la posición de almacenamiento y/o en una zona protegida del viento y de las condiciones meteorológicas, y alejado de objetos personales y/o cables aéreos.
- Nunca juegue si el equipo está dañado.
- Consulte el manual de instrucciones para montar y mantener el sistema de forma adecuada.
- Cuando desplace el sistema tenga cuidado y evite que se mueva el mecanismo de ajuste de altura.
- No deje que el agua del tanque se congele. En condiciones meteorológicas con temperaturas bajo cero, añada 2 galones (7,5 litros) como mínimo de anticongelante no tóxico o de arena, o vacíe el tanque por completo y guarde el sistema. (No utilice sal).
- NO permita que se suba o se sienta en la base mientras el sistema está en movimiento.
- NO deje el sistema desatendido, ni juegue con el sistema si las ruedas están en posición de movimiento.
- Vaya con cuidado al mover el sistema sobre superficies irregulares. El sistema podría volcarse.
- Extreme la precaución si va a colocar el sistema en una superficie inclinada. El sistema podría volcarse.

**SPALDING**

En EE. UU.: 1-800-558-8234  
En Canadá: 1-800-264-8339  
En Australia: 1-300-367-582

Marcas registradas en los EE. UU. y en otros países.  
ID núm.: SP500082 07/21

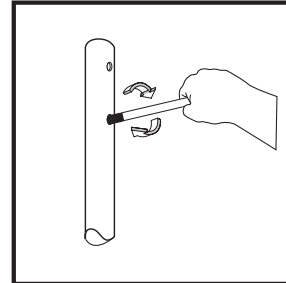
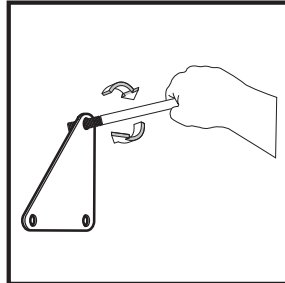
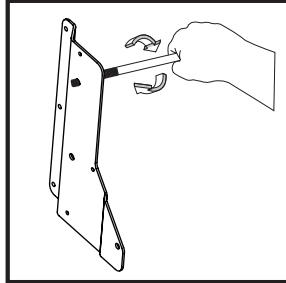
## PRUEBE EL AJUSTE DE LAS TUERCAS DE TOLERANCIA ESTRECHA

Para garantizar una jugabilidad óptima con el sistema del tablero, se requiere un ajuste de tolerancia estrecha entre los componentes del elevador y la tornillería.

Pruebe el ajuste de los tornillos grandes en los orificios grandes de los tubos del elevador, los soportes del tablero y las placas triangulares.

Si fuese necesario, con cuidado muévalos en un movimiento circular para eliminar el exceso de pintura de los agujeros.

**NOTA: No todos los artículos ilustrados están incluidos con cada modelo.**



## INSTRUCCIONES DE SEGURIDAD



**EL NO ACATAR ESTAS INSTRUCCIONES DE SEGURIDAD PUEDE RESULTAR EN LESIONES GRAVES O DAÑOS MATERIALES Y ANULARÁ LA GARANTÍA.**

*El propietario debe asegurarse de que todos los jugadores conozcan y sigan estas reglas respecto a la operación segura del sistema.*

Para garantizar la seguridad, no intente ensamblar este sistema sin seguir las instrucciones cuidadosamente. Revise toda la caja y el interior de todo el material de empaque para ubicar piezas y/o materiales de instrucción adicionales. Antes de comenzar el ensamblaje, lea las instrucciones e identifique las piezas utilizando el identificador de tornillería y la lista de piezas en este documento. El montaje, uso y supervisión apropiados y completos son esenciales para la operación correcta del sistema y para reducir el riesgo de accidentes o lesiones. Existe una alta probabilidad de lesiones graves si este sistema no se instala, mantiene y opera de manera correcta.

- Si usa una escalera durante el ensamblaje, tenga extrema precaución.
- Revise la base regularmente para detectar si hay fugas. Las fugas lentas pueden causar que el sistema se vuelque inesperadamente
- Asiente las secciones del poste correctamente (si corresponde). De no hacerlo podría causar que las secciones de los postes se separen durante el juego y/o durante el transporte del sistema.
- El clima, la corrosión o el mal uso pueden provocar fallas en el sistema.
- Si se requiere asistencia técnica, comuníquese con Servicio al Cliente.
- La altura mínima de operación es de 6'-6" (1,98 m) hasta la parte inferior del tablero.

*La mayoría de las lesiones son causadas por un mal uso y/o por no seguir las instrucciones.*

*Tenga cuidado al usar esta unidad.*



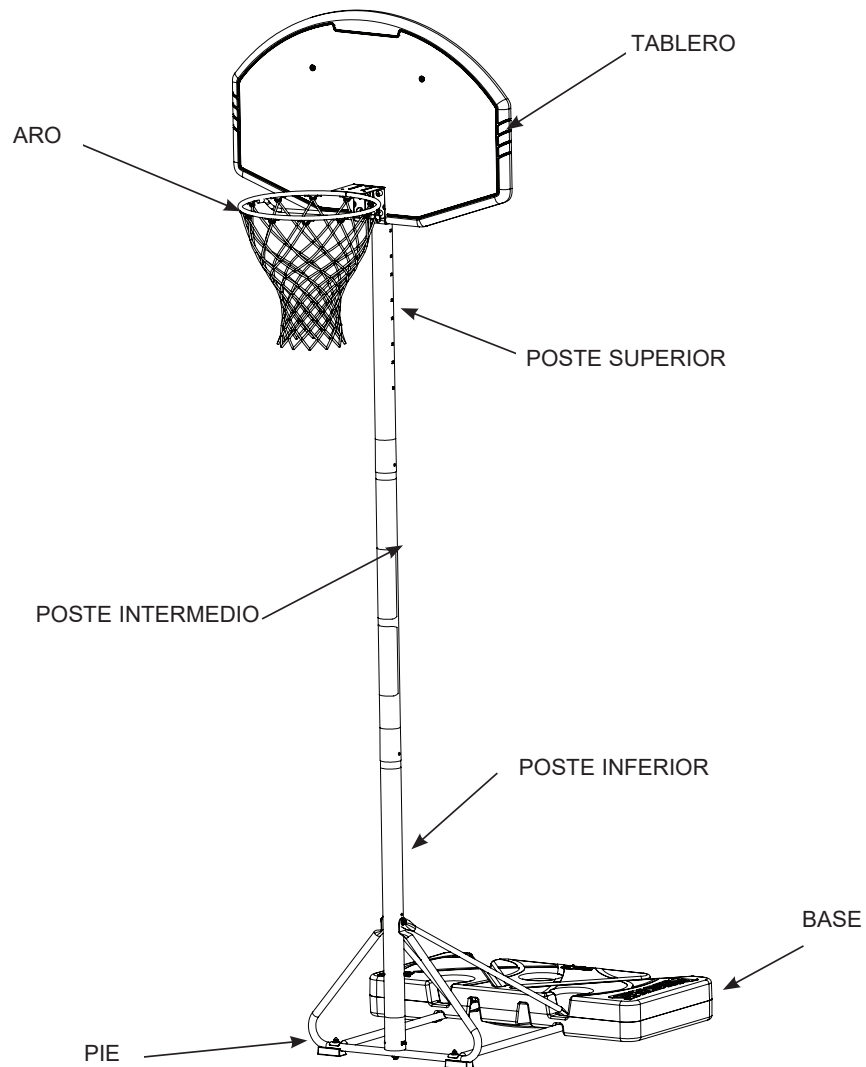
## Garantía del Sistema de Baloncesto

Para obtener la última información sobre la garantía del Sistema de Baloncesto

Visite el sitio web de Spalding Basketball en [www.Spalding.com](http://www.Spalding.com)

Póngase en contacto con el Servicio al Cliente de Spalding llamando al teléfono 1-800-558-5234

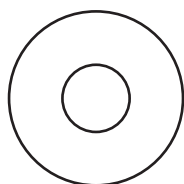
*Conozca las partes básicas de su sistema de baloncesto.*



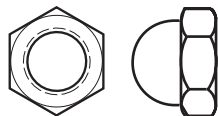
# LISTA DE PIEZAS (TODAS) - Consultar el identificador de la tornillería

<u>Artículo</u>	<u>Cant.</u>	<u>Pieza No.</u>	<u>Descripción</u>
1	1	600332	Base
2	2	600333	Rueda
3	2	108903	Eje de la rueda
4	11	203218	Arandela plana 5/16
5	2	901517	Tubo de soporte de la base
6	2	901369	Puntal, poste a la base
7	5	207610	Tuerca ciega, 5/16-18
8	3	208950	Perno de carruaje, 5/16-18 x 1,625" de largo
9	1	901365	Sección superior del poste
10	1	901366	Sección intermedia del poste
11	1	901367	Sección inferior del poste
12	1	901368	Puntal en V
13	1	201518	Perno hexagonal, 5/16-18 x 2,75" de largo
14	2	600331	Pie
15	1	203084	Perno de carruaje, 5/16-18 x 1,75" largo
16	1	201625	Perno hexagonal, 5/16-18 x 3,6" de largo
17	1	203099	Tuerca Nylock, 5/16-18
18	1	901364	Soporte de montaje del poste
19	1	902319	Soporte de refuerzo
20	3	201344	Perilla plástica de 3 caras
21	1		Aro
22	1		Tablero
23	2	203103	Perno de carruaje, 5/16-18 x 1,90" de largo
24	2	206110	Perno de carruaje, 5/16-18 x 3,75" largo
25	1	600334	Tapa del poste
26	1		Red
27	1	203617	Tapón
28	1	208938	Etiqueta de ajuste de la altura
	1	FR208938	
31	2	600338	Pie, tubo de soporte
32	1	901516	Tubo de soporte, cuadrado
33	2	203104	Perno de brida hexagonal, 5/16 x 2,00" de largo
34	1	208990	Llaves, T-socket 1/2"
35	1	208991	Llaves, plano 1/2"

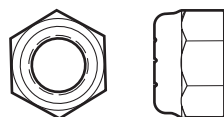
**IDENTIFICADOR DE LA TORNILLERÍA (TODOS LOS PERNOS, TUERCAS Y ARANDELAS)**



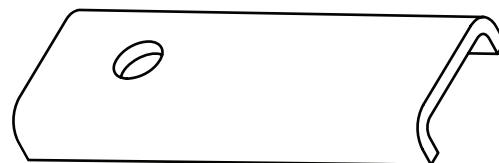
#4 (11)



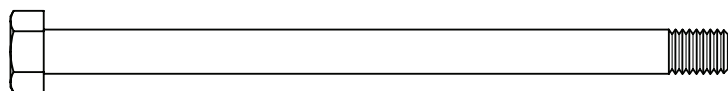
#7 (5)



#17 (1)



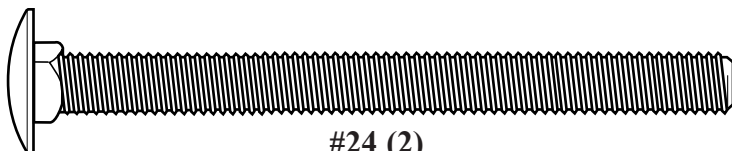
#19 (1)



#16 (1)



#3 (2)



#24 (2)



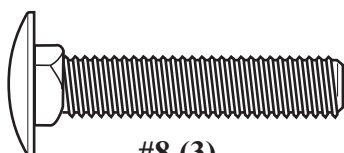
#33 (2)



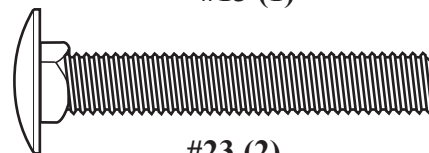
#13 (1)



#15 (1)

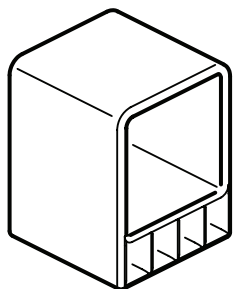


#8 (3)

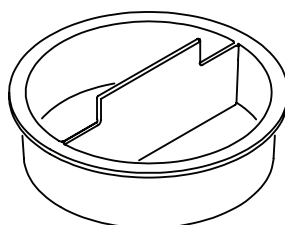


#23 (2)

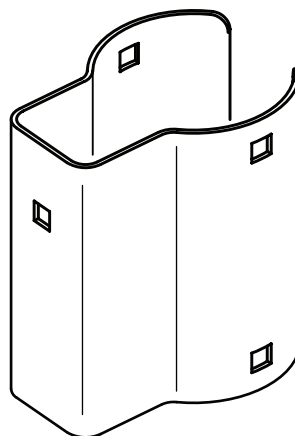
**IDENTIFICADOR DE TORNILLERÍA (TODOS LOS DEMÁS)**



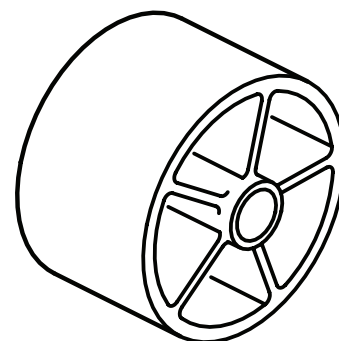
#31 (2)



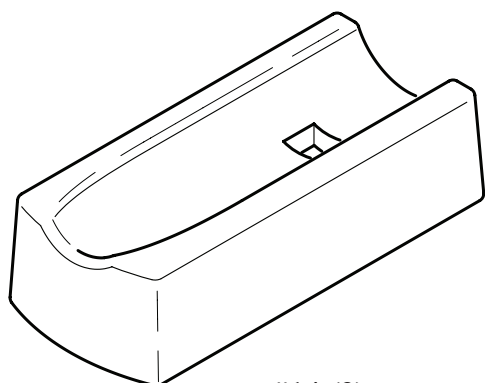
#27 (1)



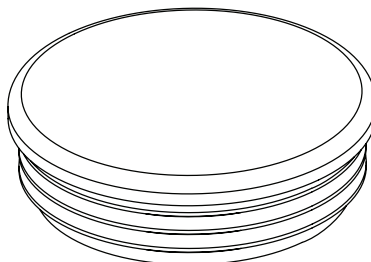
#18 (1)



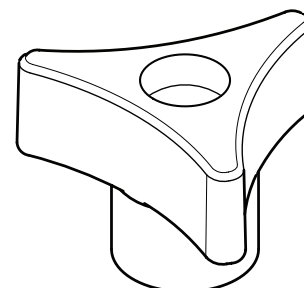
#2 (2)



#14 (2)



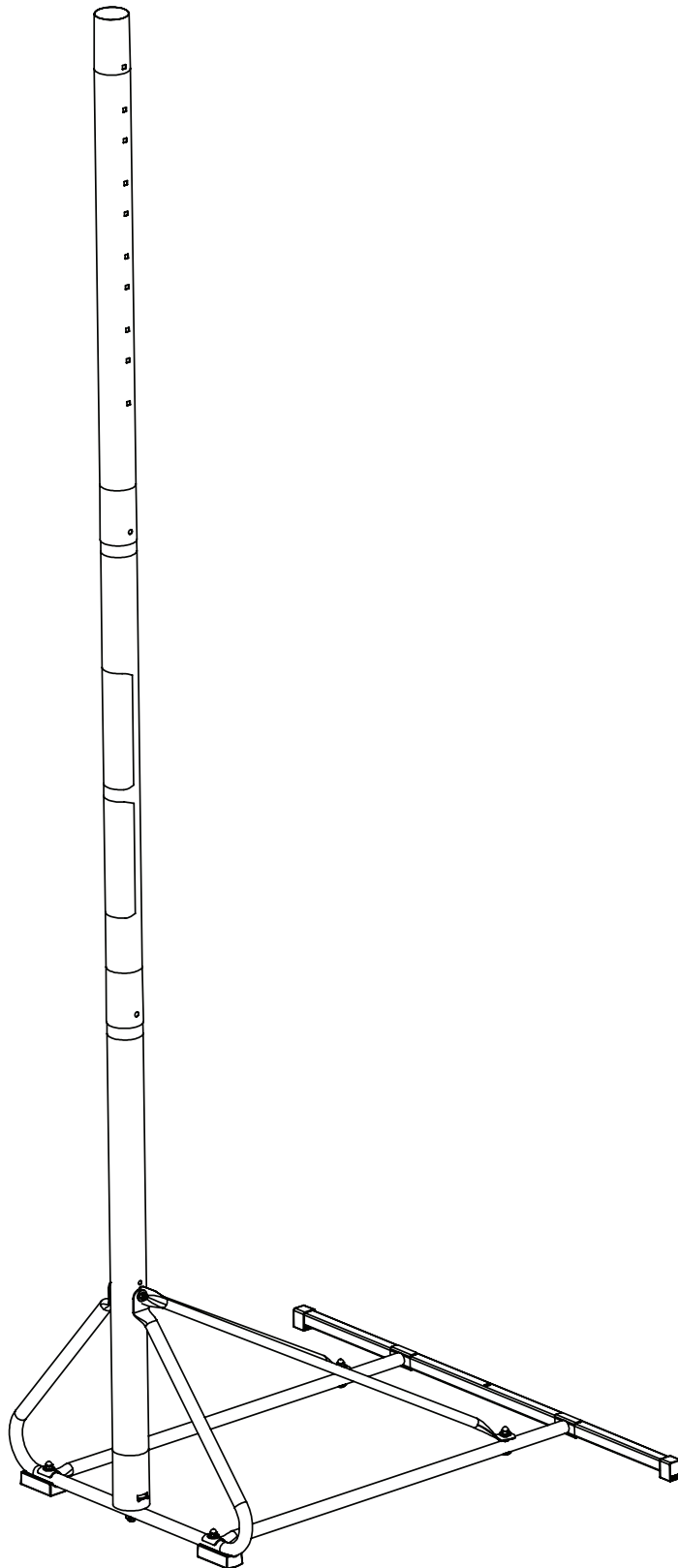
#25 (1)



#20 (3)

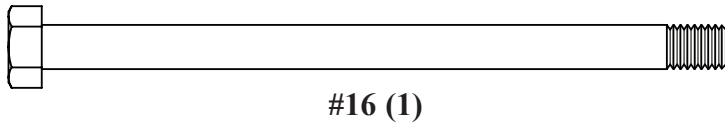
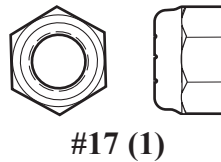
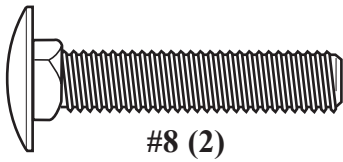
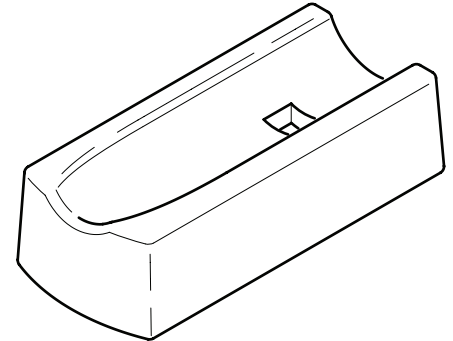
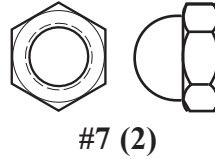
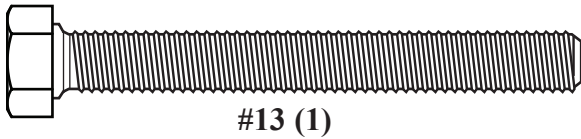
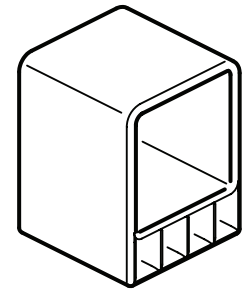
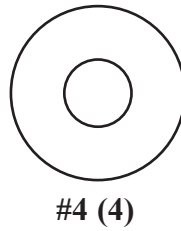
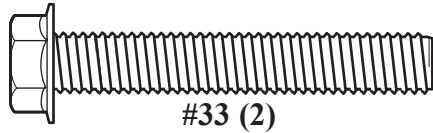
## SECCIÓN A: *ENSAMBLAR EL POSTE Y LA BASE DE SOPORTE*

Así es como se verá su sistema cuando haya terminado esta sección.



# KIT NO. 1

## ENSAMBLAJE DE LA BASE - KIT IDENTIFICADOR DE TORNILLERÍA NO. 1



### ENSAMBLAJE DE LA BASE - LISTA DE PIEZAS - KIT NO. 1

<u>Artículo</u>	<u>Cant.</u>	<u>Pieza No.</u>	<u>Descripción</u>
4	4	203218	Arandela plana 5/16
7	2	207610	Tuerca ciega, 5/16-18
8	2	208950	Perno de carruaje, 5/16-18 x 1,625" de largo
13	1	201518	Perno hexagonal, 5/16-18 x 2.75" de largo
14	2	600331	Pie
16	1	201625	Perno hexagonal, 5/16-18 x 3,6" de largo
17	1	203099	Tuerca Nylock, 5/16-18
31	2	600338	Pie, tubo de soporte
33	2	203104	Perno de brida hexagonal, 5/16 x 2,00" de largo

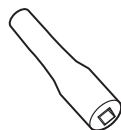
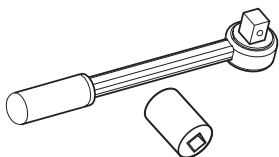
### HERRAMIENTAS REQUERIDAS PARA ESTA SECCIÓN

(2) Llaves

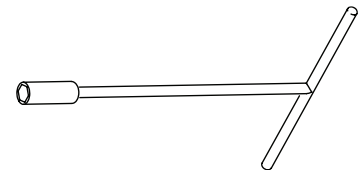


Y/O

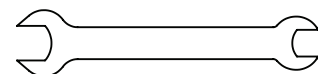
(2) Llaves de cubo y cubos



Llaves T-socket Incluidas 1/2"



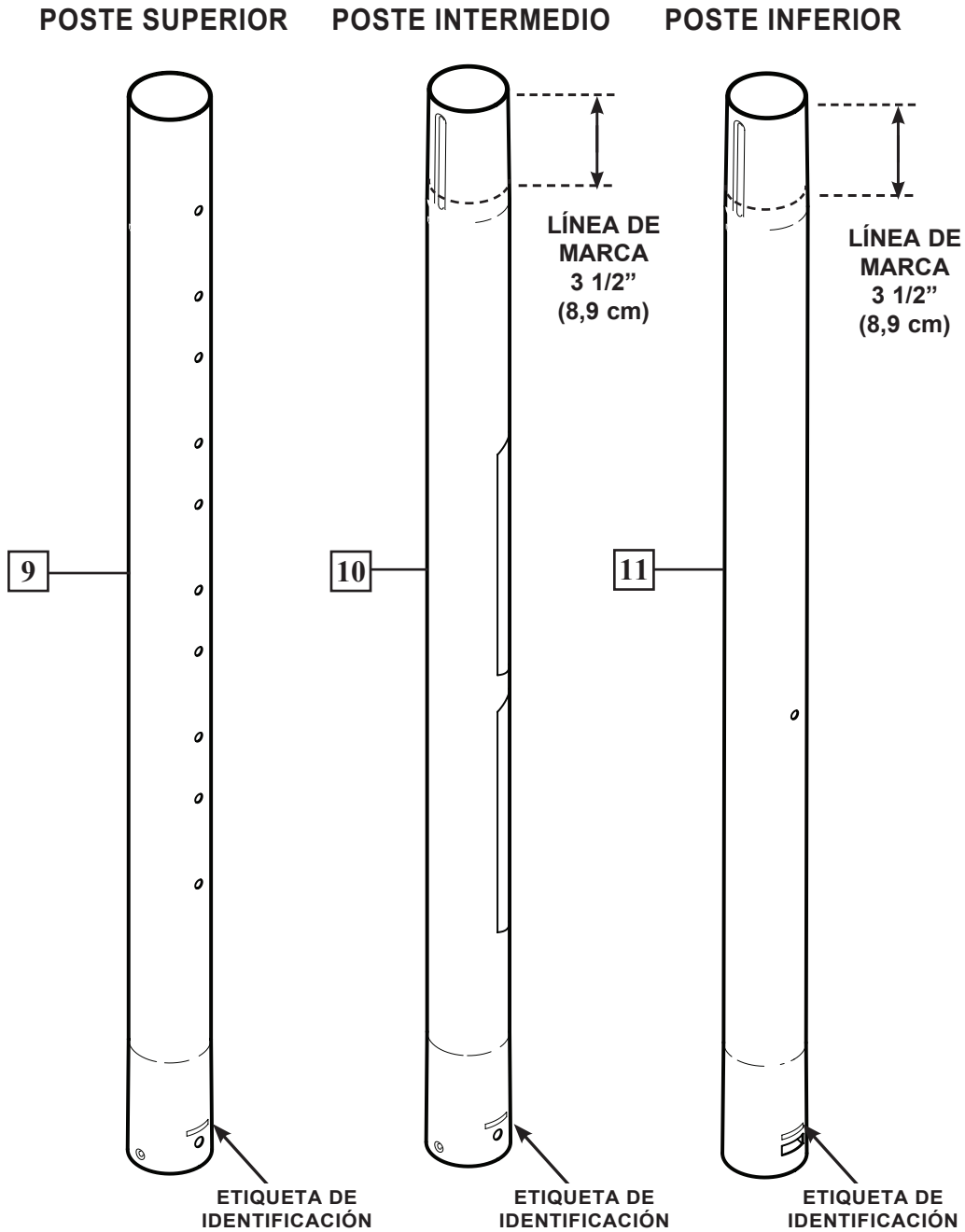
Llaves plano Incluidas 1/2"



**1.** Visualmente y mediante la etiqueta de identificación, identifique correctamente cada una de las secciones de postes.

Con un marcador o una cinta métrica, marque una línea a 3 1/2" del extremo superior del polo intermedio (10) y del inferior (11).

Esto indicará la distancia correcta de encaje del poste.



**DETÉNGASE Y LLAME AL SERVICIO DE ATENCIÓN AL CLIENTE SI TUVIESE CUALQUIER PREGUNTA O NECESIDAD DE ASISTENCIA CON RESPECTO AL MONTAJE DE LAS SECCIONES DEL POSTE**

Número de atención telefónica gratuita para clientes de los Estados Unidos: 1 800 558 5234,  
de Canadá: 1 800 284 8339,  
de Europa: +353 51 379777 (Suecia: 009 555 85234),  
de Australia: 1300 367 582



**2.** Mientras mantiene la alineación de la concavidad y el canal, rebote la sección del **poste intermedio** (10) dentro de la sección del **poste superior** sección (9) usando un pedazo de madera como se muestra hasta que el poste superior (9) quede alineado con la línea marcada en el poste intermedio (10).

**Debería haber un traslape de 3 1/2" (8,9 cm) cuando esté correctamente ensamblado.**

**¡PRECAUCIÓN!**

CUANDO QUEDAN CORRECTAMENTE ENCAJADAS, LAS SECCIONES DE POSTE DEBERÁN TENER UN TRASLAPE DE 3-1/2" (8,9 CM).

**¡IMPORTANTE!**

Alinee la concavidad del poste superior (9) dentro del canal del poste central (10) como se muestra.

POSTE INTERMEDIO (10)

LÍNEA MARCADA

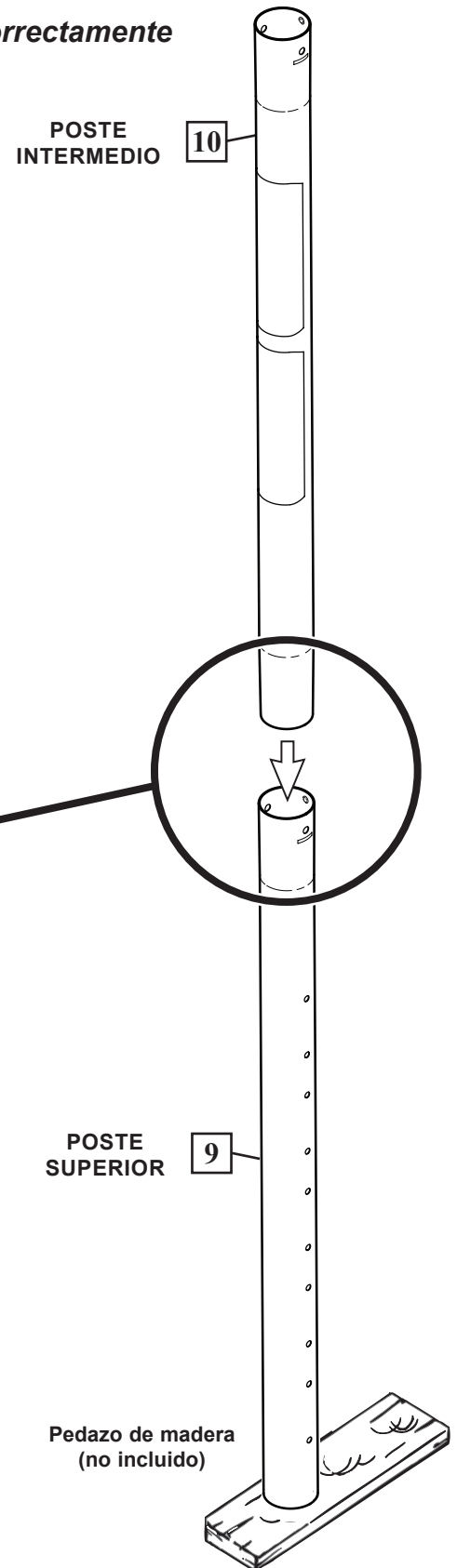
CANAL

LÍNEA DE MARCA 3 1/2" (8,9 cm)

CONCAVIDAD

AGUJERO

POSTE SUPERIOR (9)



3. Mientras mantiene la alineación de la concavidad y el canal, rebote el ensamble de los postes superior e intermedio (9 y 10) dentro de la sección del poste inferior (11) usando un pedazo de madera como se muestra. Rebote hasta que el conjunto de los postes superior e intermedio (9 y 10) esté alineado con la línea marcada en el poste inferior (11).

**Debería haber un traslape de 3 1/2" (8,9 cm) cuando esté correctamente ensamblado.**



**¡PRECAUCIÓN!**

CUANDO QUEDAN CORRECTAMENTE ENCAJADAS, LAS SECCIONES DE POSTE DEBERÁN TENER UN TRASLAPE DE 3-1/2" (8,9 CM).



**¡IMPORTANTE!**



Alinee la concavidad del poste intermedio (10) dentro del canal del poste inferior (11) como se muestra.

POSTE INTERMEDIO 10

CONCAVIDAD

AGUJERO

CANAL

LÍNEA MARCADA

POSTE INFERIOR 11

LÍNEA DE MARCA  
3 1/2"  
(8,9 cm)

POSTE SUPERIOR 9

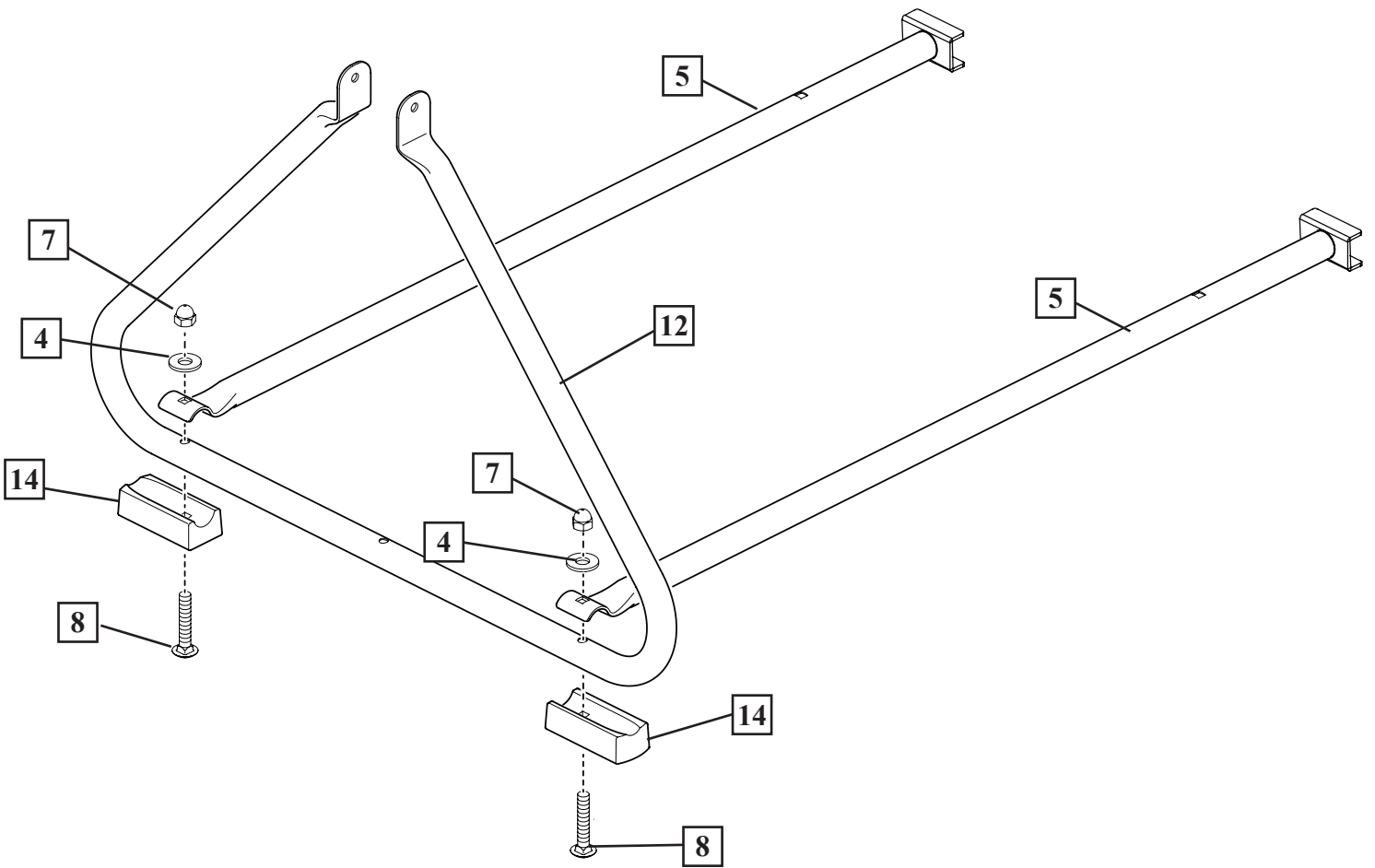
POSTE INTERMEDIO 10

POSTE INFERIOR 11



Pedazo de madera  
(no incluido)

4. Fije los puntales en V (12) y los pies (14) a los tubos conectores (5) usando el perno de carruaje (8), la arandela (4) y la tuerca (7) como se muestra.

 ¡IMPORTANTE!  
NO APRIETE POR COMPLETO



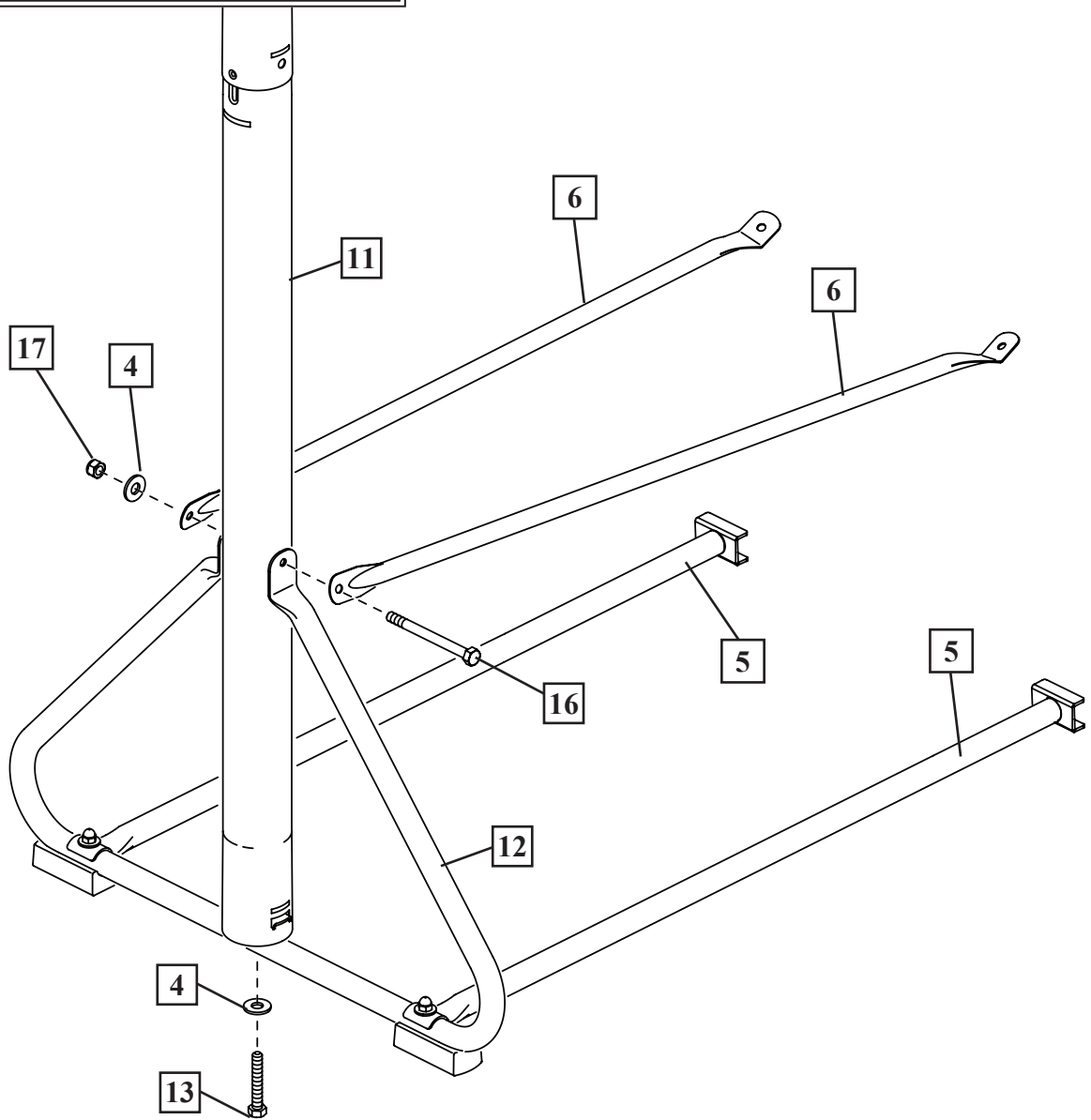
**5.** Fije los puntales en V (12) y los puntales (6) al poste (11) usando el perno (16), las arandelas (4) y la tuerca (17) como se muestra. Luego, fije la parte inferior del poste (11) al puntal en V (12) usando el perno (13) y la arandela (4) como se muestra. No apriete por completo en esta etapa de ensamblaje.

 **¡ADVERTENCIA!** 

SE REQUERIRÁN DOS PERSONAS PARA ESTE PROCEDIMIENTO. EL NO SEGUIR ESTA ADVERTENCIA PODRÍA RESULTAR EN LESIONES GRAVES Y/O DAÑOS MATERIALES.

 **¡IMPORTANTE!**

NO APRIETE POR COMPLETO

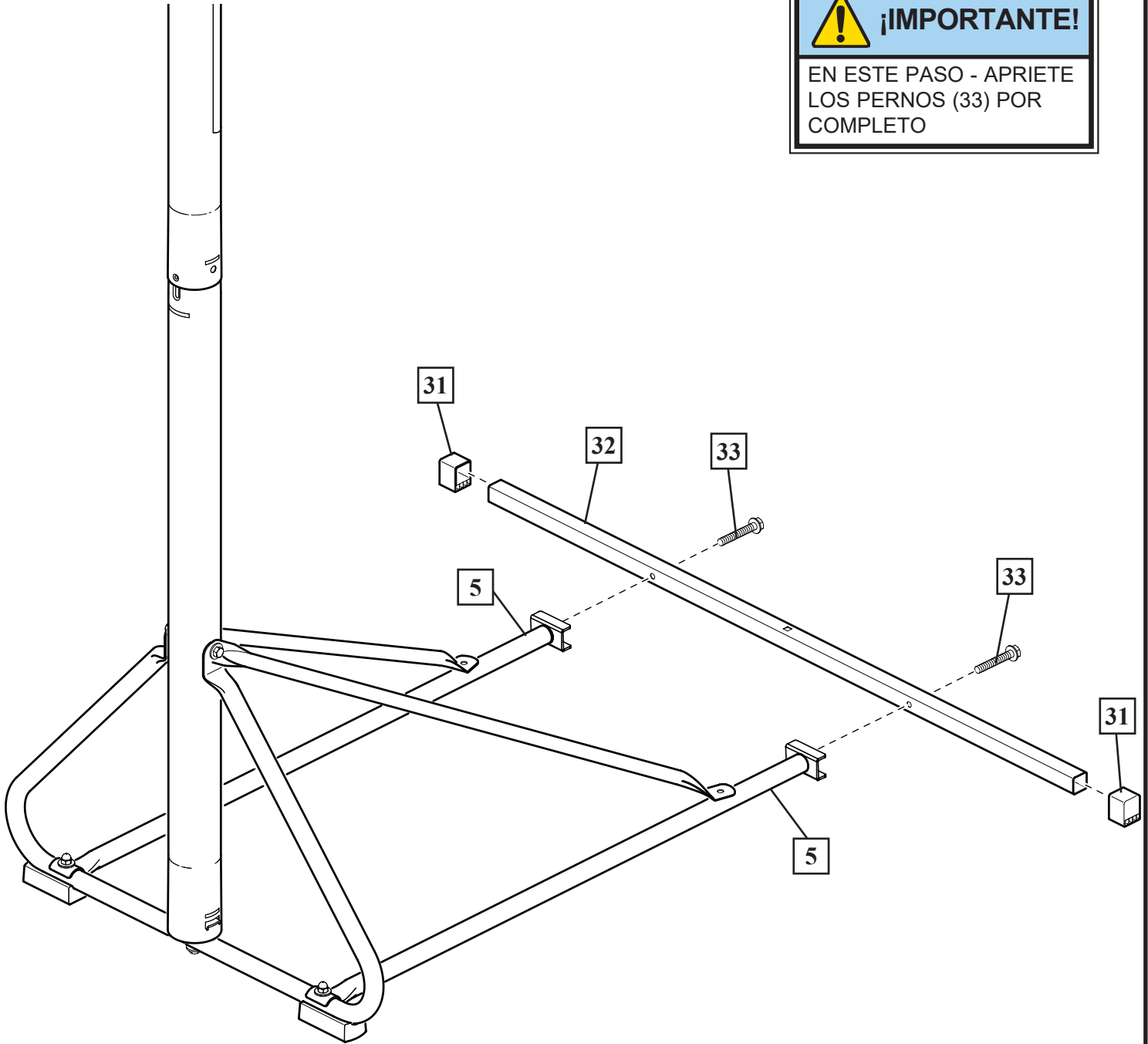


6. Ensamble el tubo de soporte (32) en los tubos conectores (5) usando los pernos (33). Deslice los pies (31) en los extremos del tubo de soporte (32) como se muestra. Apriete los pernos (33) por completo para este paso.



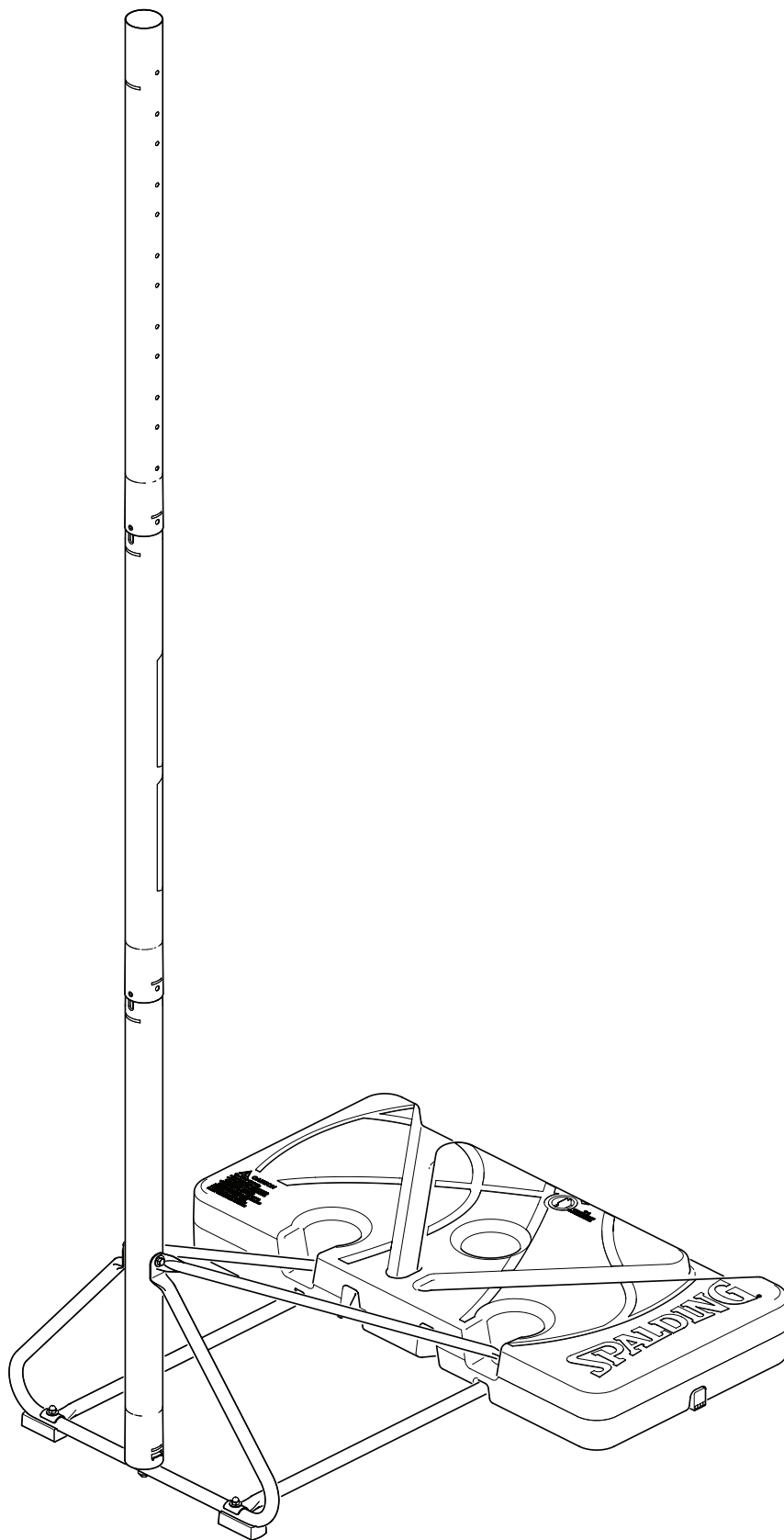
**¡IMPORTANTE!**

EN ESTE PASO - APRIETE  
LOS PERNOS (33) POR  
COMPLETO



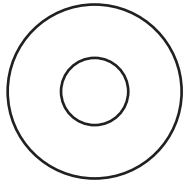
## SECCIÓN B: *ENSAMBLAR LA BASE*

Así es como se verá su sistema cuando haya terminado esta sección.



# KIT NO. 2

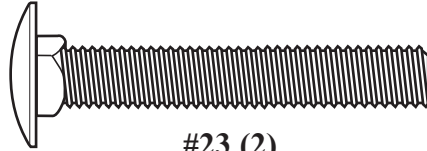
## ENSAMBLAJE DEL POSTE A LA BASE - KIT IDENTIFICADOR DE TORNILLERÍA NO. 2



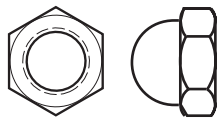
#4 (7)



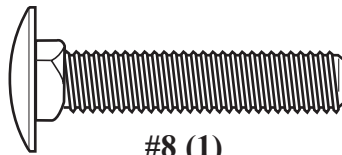
#3 (2)



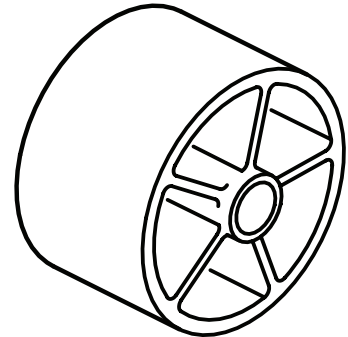
#23 (2)



#7 (3)



#8 (1)



#2 (2)

### ENSAMBLAJE DEL POSTE A LA BASE - LISTA DE PIEZAS - KIT NO. 2

<u>Artículo</u>	<u>Cant.</u>	<u>Pieza No.</u>	<u>Descripción</u>
2	2	600333	Rueda
3	2	108903	Eje de la rueda
4	7	203218	Arandela plana 5/16
7	3	207610	Tuerca ciega, 5/16-18
8	1	208950	Perno de carruaje, 5/16-18 x 1,625" de largo
23	2	203103	Perno de carruaje, 5/16-18 x 1,9" de largo

### HERRAMIENTAS REQUERIDAS PARA ESTA SECCIÓN

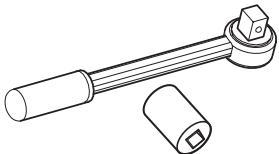
(2) Llaves



1/2"

Y/O

(2) Llaves de cubo y cubos

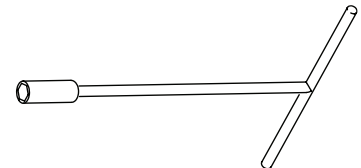


1/2"

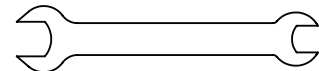


Extensión

Llaves T-socket Incluidas 1/2"



Llaves plano Incluidas 1/2"



7. Ensamble la base (1) al conjunto del tubo de soporte (5) y los puntales (6) usando los pernos (8, 23), las arandelas (4) y las tuercas (7) como se muestra. En este momento, apriete todos los elementos sujetadores.



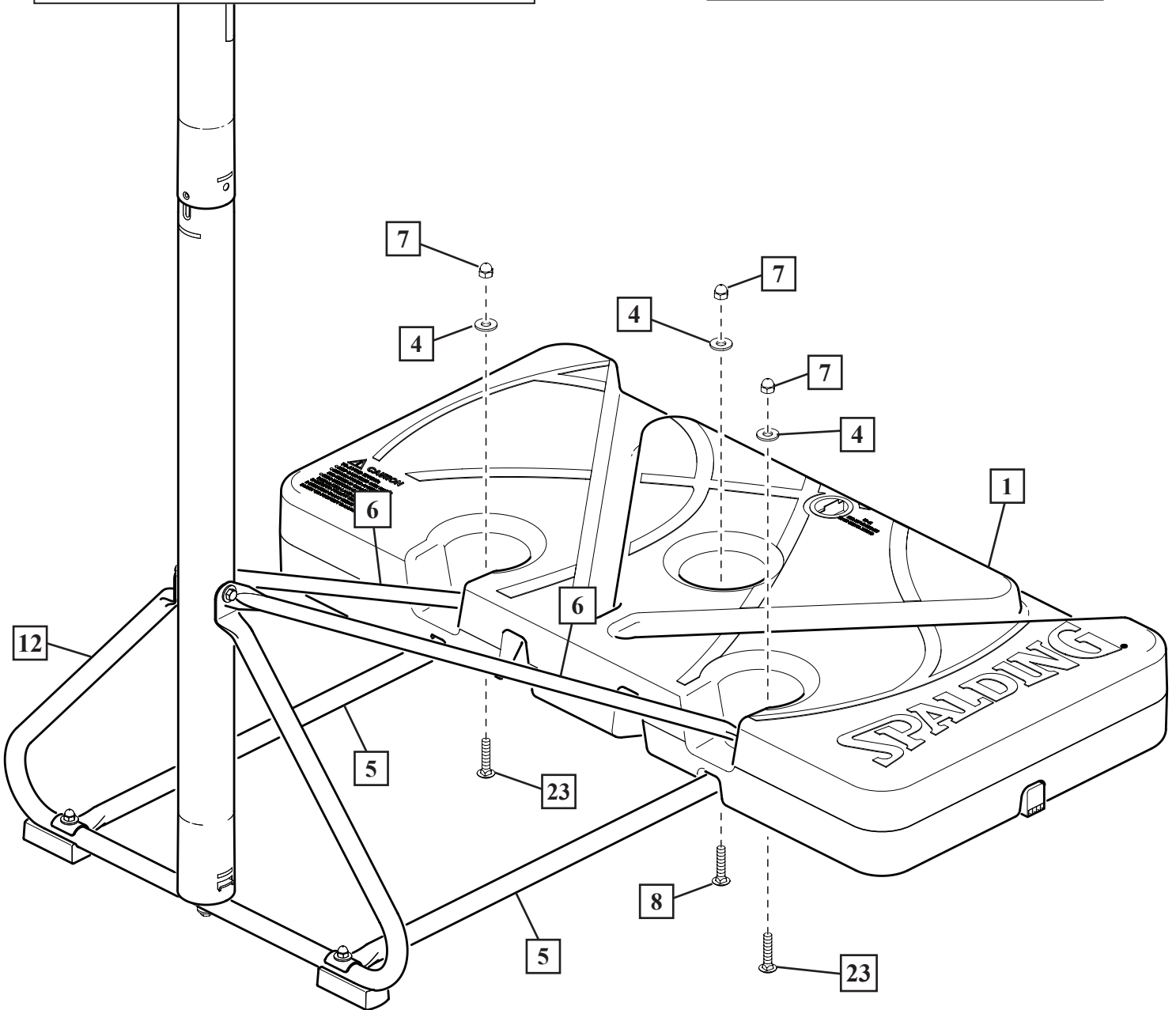
**¡ADVERTENCIA!** 

SE REQUERIRÁN DOS PERSONAS PARA ESTE PROCEDIMIENTO. EL NO SEGUIR ESTA ADVERTENCIA PODRÍA RESULTAR EN LESIONES GRAVES Y/O DAÑOS MATERIALES.



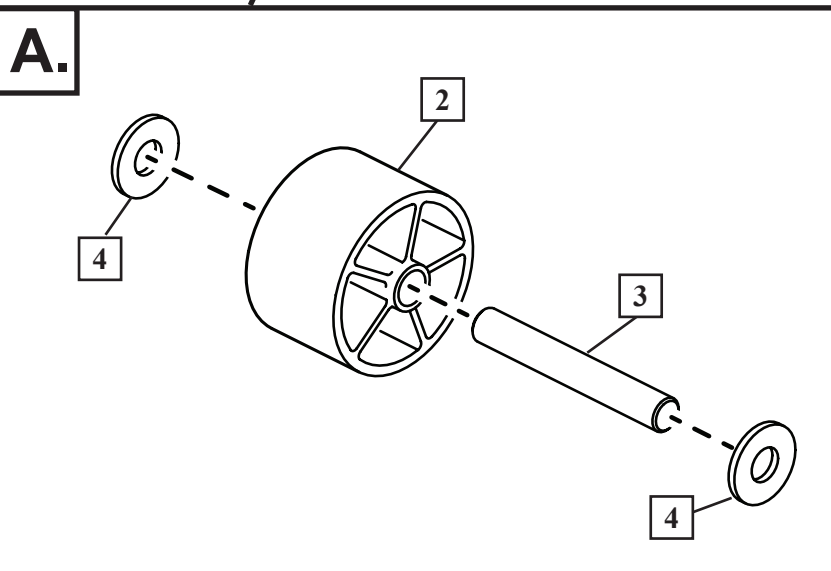
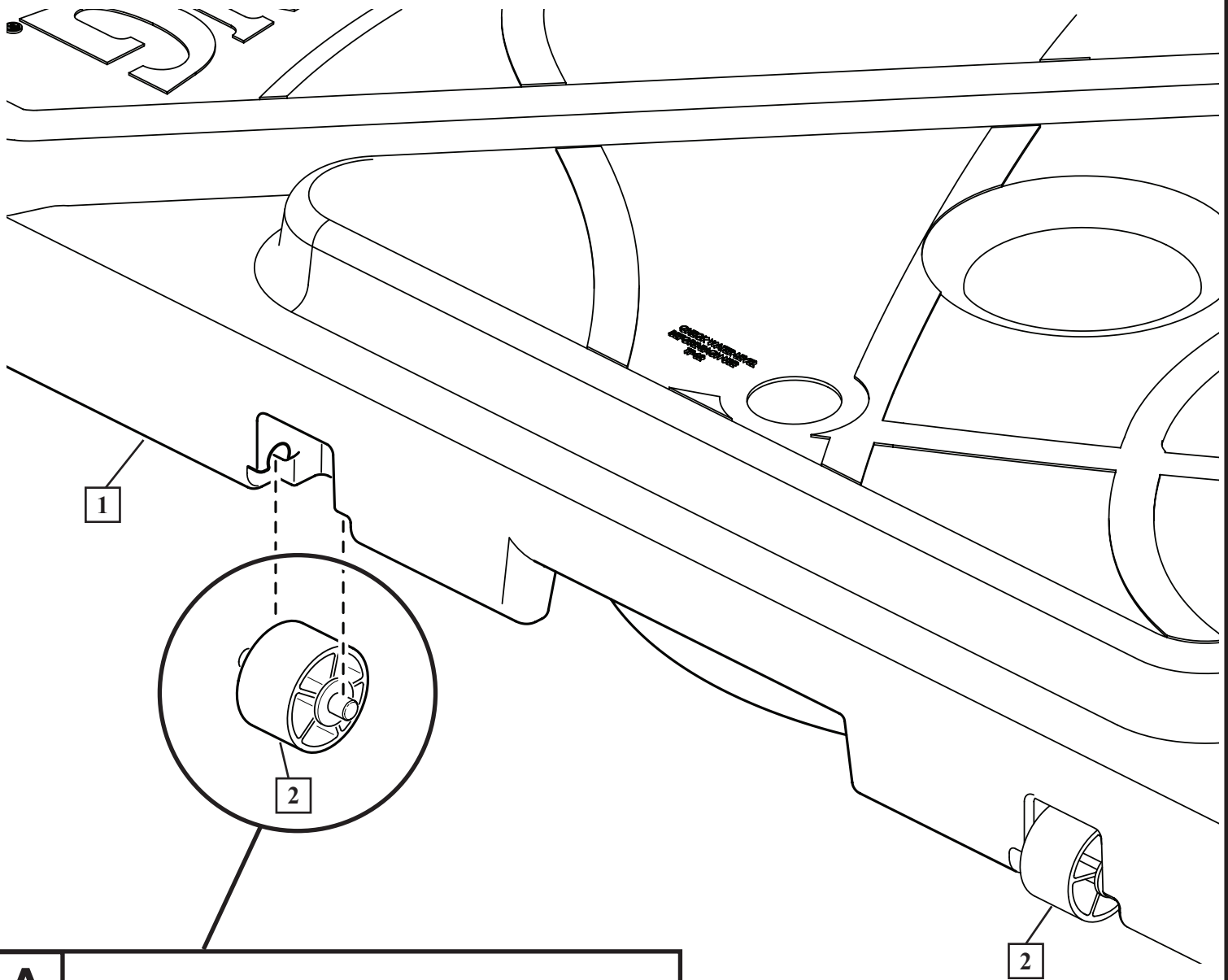
**¡IMPORTANTE!**

APRIETE POR COMPLETO TODOS LOS COMPONENTES (PASOS 4, 5, 7).



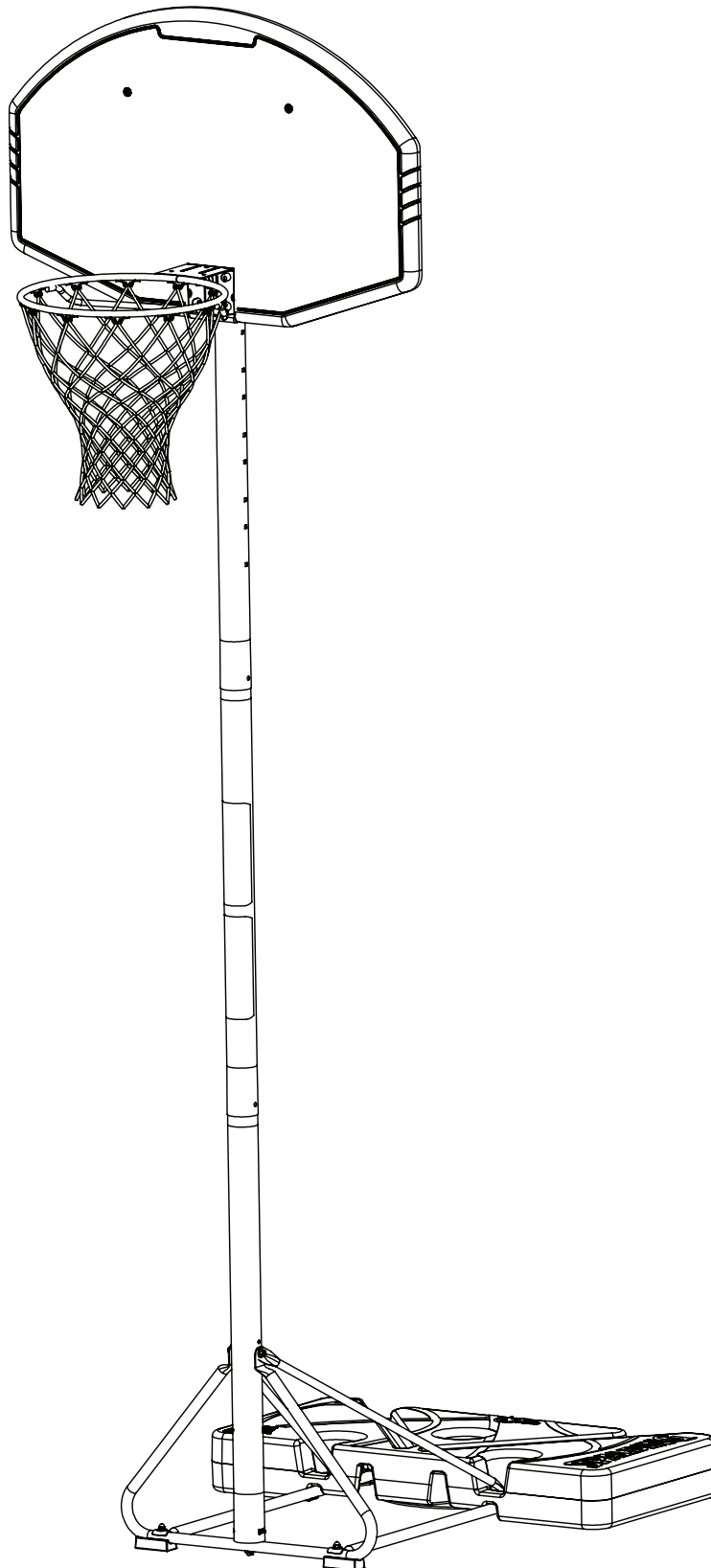


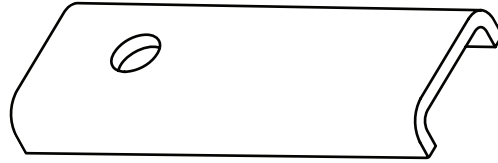
8. Completar el conjunto de la rueda como se muestra en la **Figura A**. Ensamble la rueda (2), el eje (3) y las arandelas (4). Presione el conjunto de la rueda en su lugar en la base (1) como se muestra. Repita el procedimiento para la rueda opuesta.



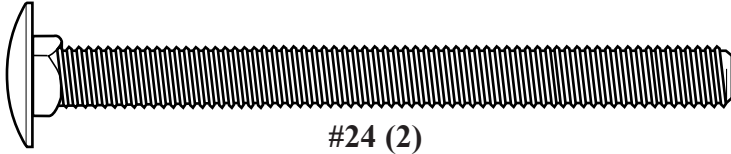
## SECCIÓN C: FIJE EL TABLERO

Así es como se verá su sistema cuando haya terminado esta sección.





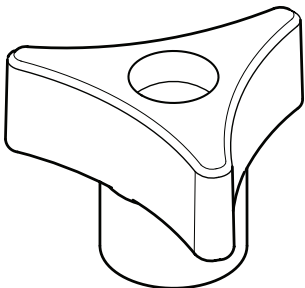
#19 (1)



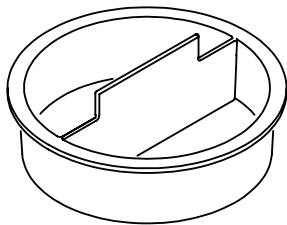
#24 (2)



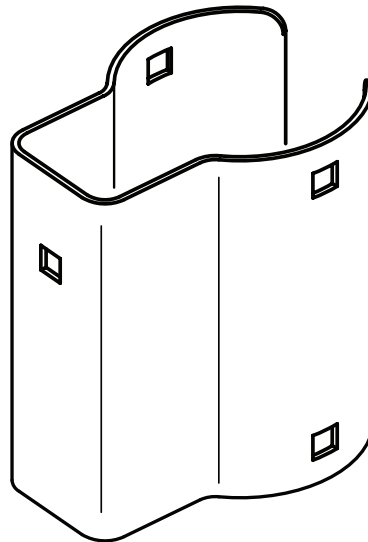
#15 (1)



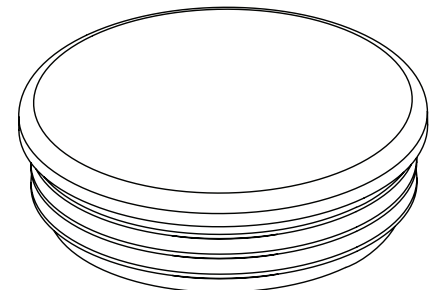
#20 (3)



#27 (1)



#18 (1)



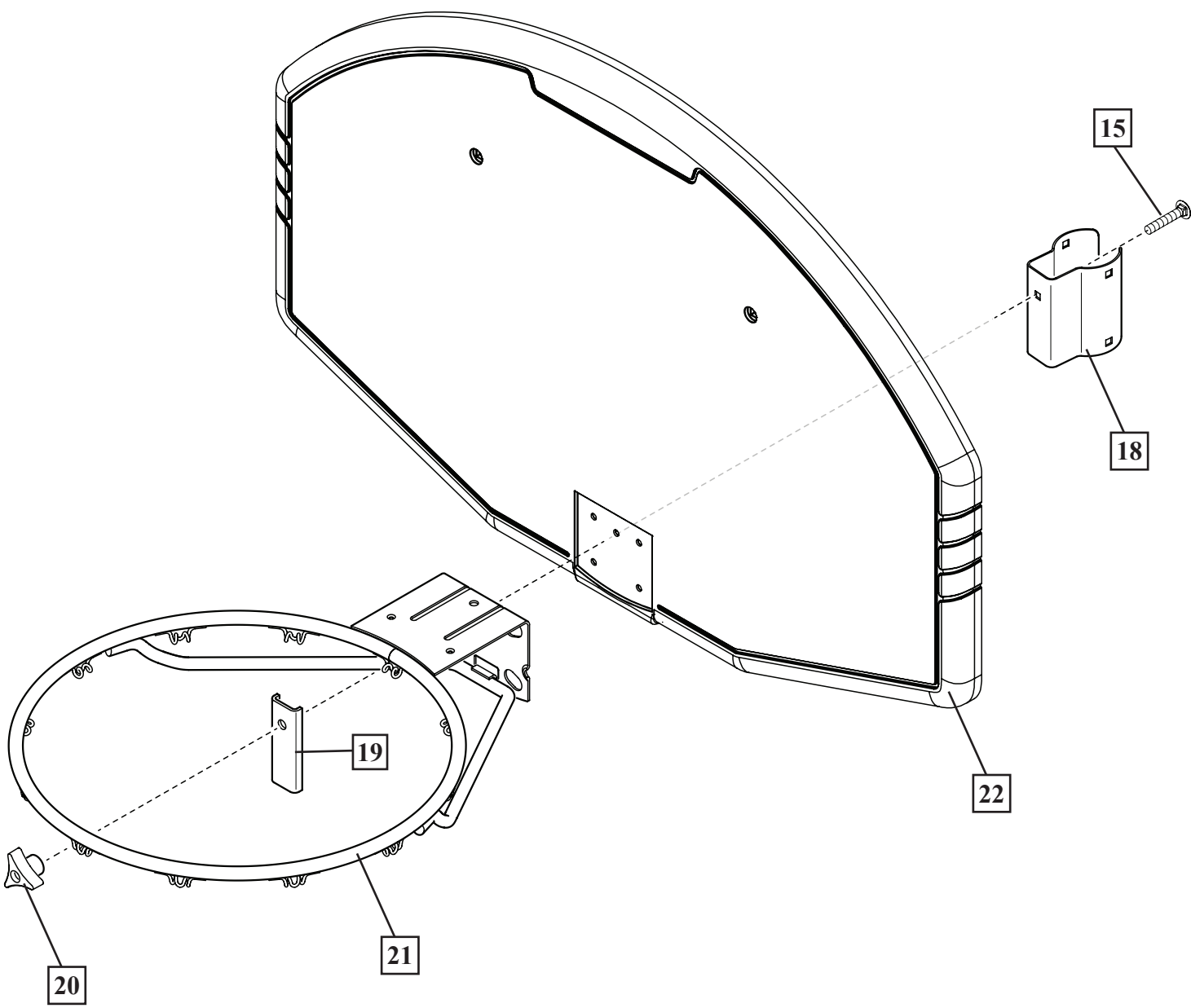
#25 (1)

ENSAMBLAJE DEL TABLERO - LISTA DE PIEZAS - KIT NO. 3

<u>Artículo</u>	<u>Cant.</u>	<u>Pieza No.</u>	<u>Descripción</u>
15	1	203084	Perno de carruaje, 5/16-18 x 1,75" largo
18	1	901364	Soporte de montaje del poste
19	1	902319	Soporte de refuerzo
20	3	201344	Perilla plástica de 3 caras
24	2	206110	Perno de carruaje, 5/16-18 x 3,75" largo
25	1	600334	Tapa del poste
27	1	203617	Tapón

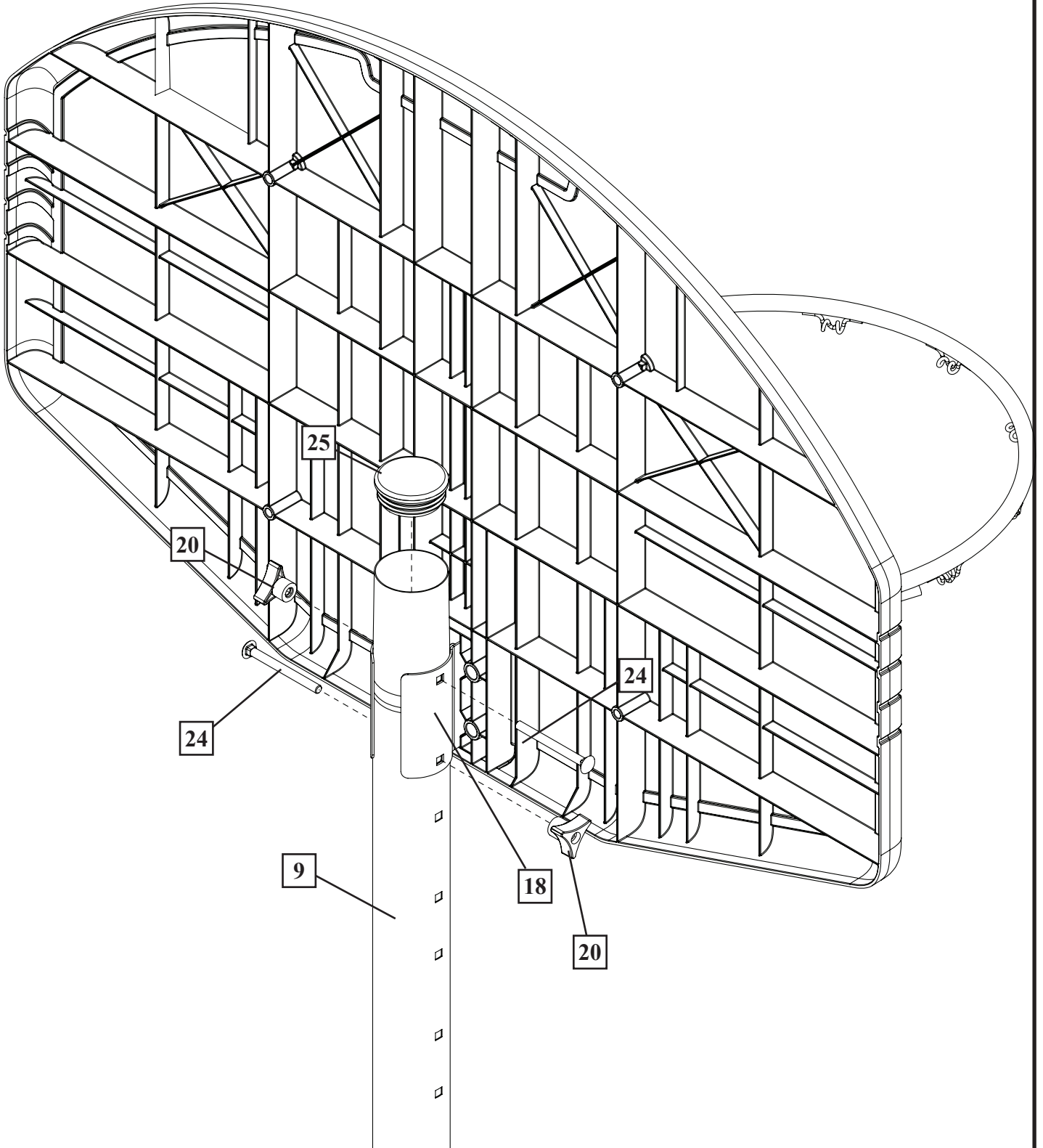
**9.** Instale el soporte de montaje del poste (18) y el aro (21) usando el perno (15), el soporte del refuerzo (19) y la perilla apretada a mano (20).

**¡IMPORTANTE!**  
NO LOS APRIETE DEMASIADO.

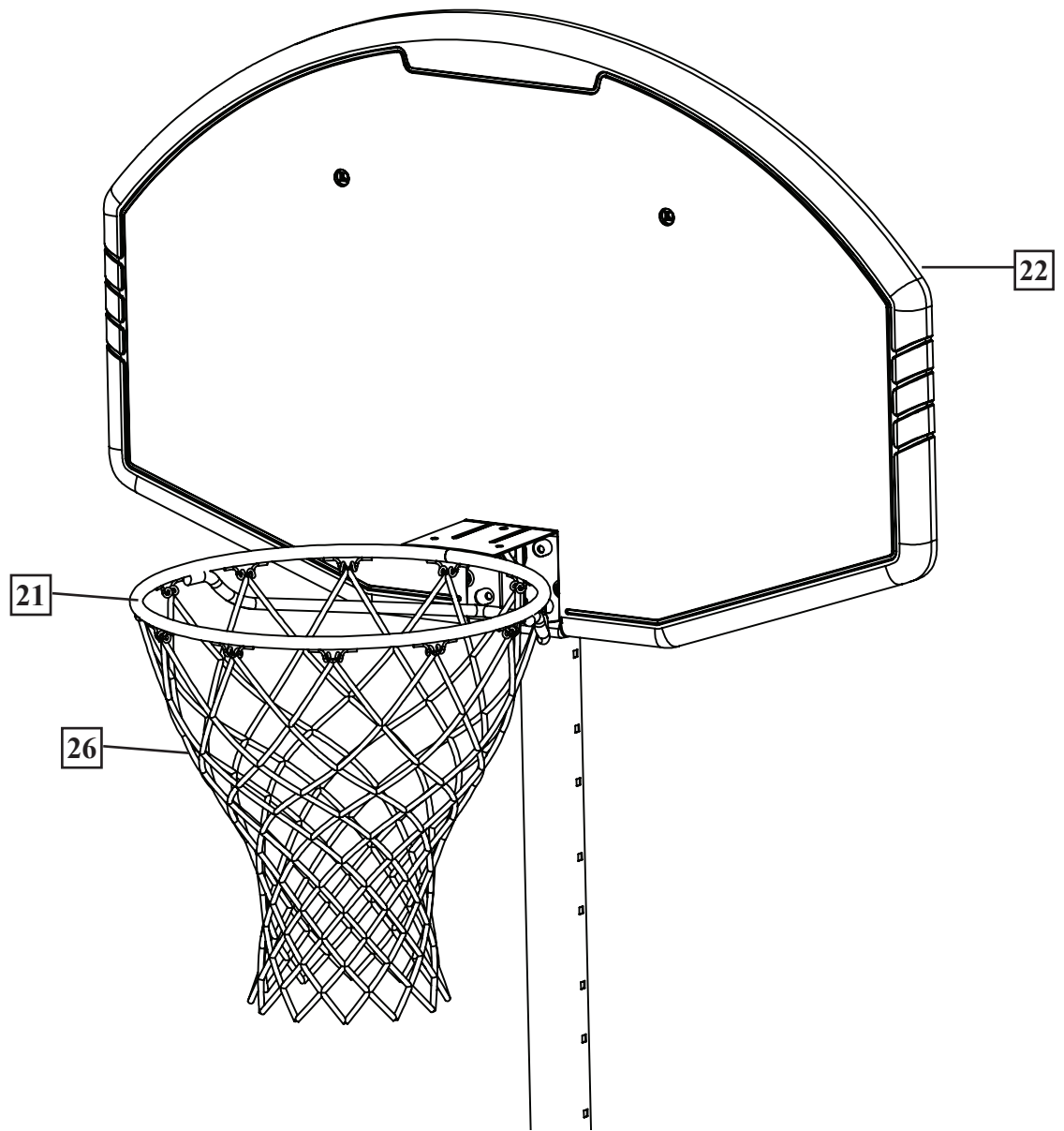


- 10.** Install Pole bracket (18) to pole (9) using carriage bolts (24) and Tri-knob screws (20).  
Install Pole Cap (25) to top of Pole (9)

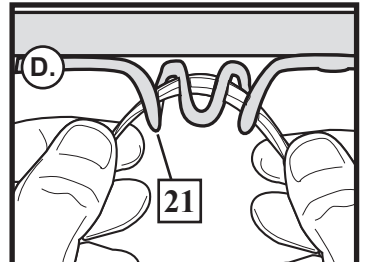
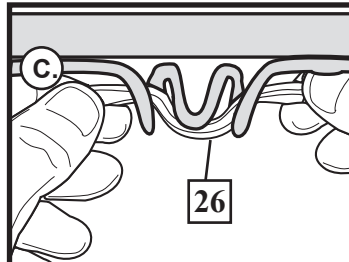
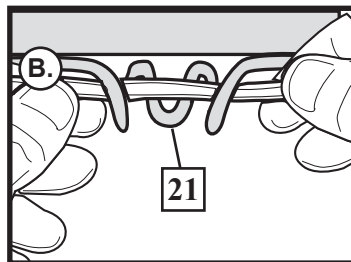
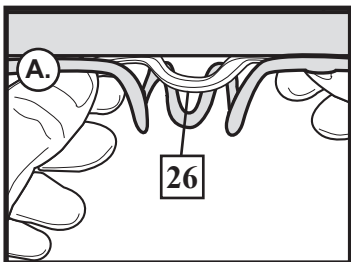
 **¡IMPORTANTE!**  
**NO LOS APRIETE DEMASIADO.**



**11.** Instale la red (26) en el aro (21) como se muestra a continuación.



**OUTSIDE VIEW**



- 12.** Haga rodar el ensamblaje completo a la posición deseada. Llene la base con agua (aprox. 17 galones (64 Litros)) o arena (aprox. 142 lb. (53 kg)) y empuje la tapa (27) dentro de la base (1).



## ¡PRECAUCIÓN!

AGREGUE DOS GALONES (7,6 LITROS) DE ANTICONGELANTE NO TOXICO EN CLIMAS CON TEMPERATURAS DEBAJO DEL PUNTO DE CONGELACIÓN.

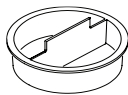


## NOTA:

**SI USA ARENA:** LOS 2 GALONES DE ANTICONGELANTE NO SON NECESARIOS.



## ¡ADVERTENCIA!



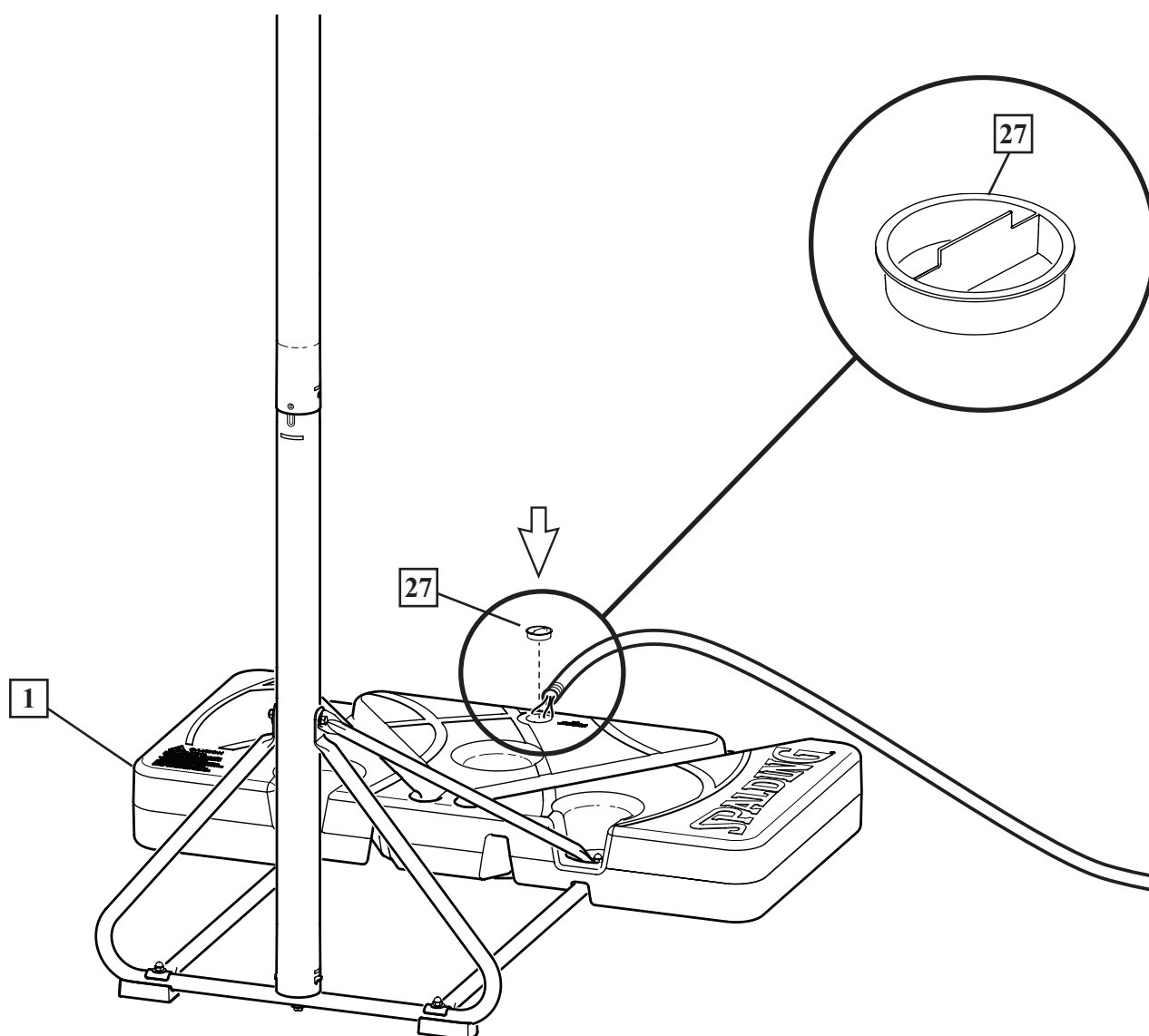
La tapa (27) DEBE apretarse por COMPLETO y de forma SEGURA para evitar fugas.

**¡VERIFIQUE EL NIVEL DEL AGUA ANTES DE CADA USO! EL NO SEGUIR ESTA ADVERTENCIA PODRÍA RESULTAR EN LESIONES GRAVES Y/O DAÑOS MATERIALES.**

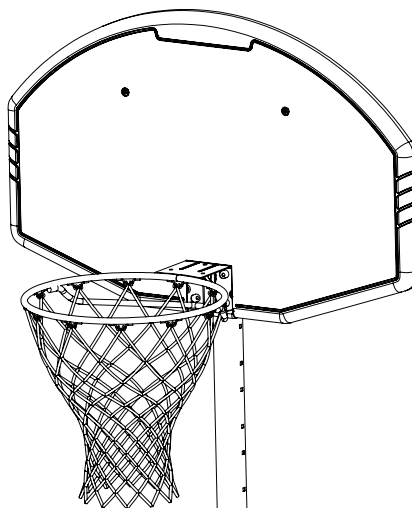


## ¡ADVERTENCIA!

**NO DEJE EL CONJUNTO DESATENDIDO CUANDO ESTÉ VACÍO; PODRÍA VOLCARSE.**



- 13.** Aplique la 'Etiqueta de ajuste de altura y de movimiento de sistema' (28) en la parte delantera del poste, donde sea claramente visible.



## AJUSTE DE LA ALTURA

Apoye la unidad sobre una mesa de soporte. Retire las perillas de ajuste (A) y los pernos de carruaje (B) para extender o retraer el tablero y el aro. Ajuste la altura entre 7,5 y 10 pies (2,3 a 3,0 m).

### ⚠ ADVERTENCIA

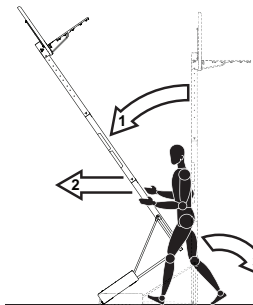
No ajuste la altura del sistema en la posición vertical. El sistema debe estar en la posición horizontal para ajustarlo.



### ⚠ ADVERTENCIA

El tablero podría rotar durante el ajuste de altura.

## PARA MOVER EL SISTEMA



1. Mientras sujeta el poste, gire el sistema de baloncesto hacia atrás hasta que las ruedas toquen el suelo.
2. Mueva el sistema de baloncesto a la ubicación deseada.
3. Gire con cuidado el sistema de baloncesto a la posición vertical.
4. Verifique que el sistema quede en una posición estable.

208938 07/18

