



HERSCHEL MANHATTAN 3000 Watts Wall and Ceiling mounted Infrared Heater



EN	INSTALLATION & OPERATING INSTRUCTIONS
FR	INSTRUCTIONS D'INSTALLATION ET D'UTILISATION
DE	INSTALLATIONS- & BEDIENUNGSANLEITUNG
NL	INSTALLATIE- EN BEDIENINGSINSTRUCTIES
IT	ISTRUZIONI PER L'INSTALLAZIONE E L'USO
ES	INSTRUCCIONES DE INSTALACIÓN Y FUNCIONAMIENTO

MODELS COVERED BY THIS MANUAL:

Manhattan 3000

IMPORTANT SAFETY PRECAUTIONS



Original instructions covering Manhattan 3000 Watt heaters produced 122019 onwards. SAA Certificate SAA-202327-EA



READ THESE INSTRUCTIONS CAREFULLY AND RETAIN FOR FUTURE REFERENCE.

Failure to observe these instructions will invalidate the warranty. No liability can be accepted for any damage caused by non-compliance with these instructions or through improper use or mishandling.

This unit may be a source of possible shock.

Do not disassemble. No user-serviceable parts inside.

Source of possible ignition.



WARNING

TO REDUCE THE RISK OF FIRE, ELECTRIC SHOCK OR INJURY:

1. Remove the unit from its packaging and check it to ensure it is in good condition before installing and operating.
2. Send the packaging to be recycled. **DO NOT** let children play with plastic bags or other parts of the packaging.
3. **CAUTION:** Risk of Electric shock
 - a. This appliance must be disconnected from its power source during installation or service activities and when replacing.
 - b. **DO NOT** use this heater in the immediate surroundings of a bath, shower or swimming pool or hot tub where it could fall into a container full of water.
 - c. Switches and other controls must not be within reach of a person in a bath, pool, hot tub or shower.
 - d. **DO NOT** touch this heater or its controls with wet hands.
 - e. **DO NOT** allow power cables to become immersed in water or other liquid.
 - f. **DO NOT** open or try to repair the heater yourself. Servicing should be performed by qualified personnel only.
4. In order to avoid overheating and potential fire hazard, **DO NOT** cover the heater under any circumstances. If the heater should become accidentally covered during operation, turn it off immediately and clear out any foreign objects that have covered the heater or become lodged in the grill.
5. The unit must be installed with a minimum clearance of 1800mm (71") to the floor and 300mm (12") clearance at the top and 400mm (16") to the sides of the heater.
6. **DO NOT** touch the heater when in use. Parts of the heater may exceed 200°C / 392°F during operation. Contact with the heater during operation may cause severe burns. Do not touch the heater during or for 10 minutes after operation.
7. **DO NOT** use the heater if the power cord is damaged. This must be replaced by the manufacturer, its service agent or similarly qualified persons in order to avoid a hazard.
8. **DO NOT** use the heater to ignite materials. **DO NOT** operate in locations containing gasoline, flammable liquids or other volatile substances.
9. **DO NOT** install this heater near, or pointing towards flammable objects within 1 metre or where curtains, towels or other flammable items can be blown onto the heater.
10. This heater must only be used for the heating of people outdoors or indoors in an unenclosed space. The MANHATTAN is not to be used by children or persons with reduced physical, sensory or mental capabilities, or lack of experience or knowledge, regardless of whether they have been given instruction or are under supervision. Children should be kept away and should not be left unsupervised around the unit.
11. All operators shall only switch on/off the appliance provided that it has been placed or installed in its intended normal operating position and they have been given supervision or instruction concerning

use of the appliance in a safe way and understand the hazards involved. Children shall not plug in, switch on or regulate the appliance or perform user maintenance including cleaning.

12. **DO NOT** leave the heater operating unattended.
13. **NEVER** place hands under the heating element during operation.
14. **IMPORTANT:** Ensure supply voltage does not exceed 245 Volts.

SAVE THESE INSTRUCTIONS.

WATER INGRESS PROTECTION:

Herschel MANHATTAN is rated to a standard IP54. Suitable for outdoor use.

Installation in areas such as outdoor bathrooms, pools or hot tub areas must be carried out by a suitably qualified installer and comply with local electrical safety requirements.

If in doubt, do not install. Herschel Infrared Ltd shall not be liable for any loss, damage or injury caused or resulting from inadequate fitting or incorrect placement of heaters close to water sources.

ELECTRICAL INFORMATION:

The Herschel MANHATTAN may be plugged in to a waterproof socket. Any extension lead used must have sufficient capacity to carry the current required by the heater as show in in Table 1. All plugs, sockets and switches intended for use outdoors must have an appropriate water ingress protection.

Alternatively the plug can be removed and the unit connected to fixed mains wiring. Fixed wiring installations must only be carried out by competent persons or a qualified electrician according to national regulations and the unit must be earthed. The electrical supply to the unit should be provided by connecting to a current protection device suitable for the electrical rating of the unit in accordance with Table 1 and providing disconnection in both poles. All fixed wiring must have sufficient capacity to carry the current required by the heater.

Always disconnect the heater from the power when not in use.

Herschel recommends you use a Type C circuit breaker to handle the initial current when the heater is switched on.

Table 1. Electrical Specification

Model	MANHATTAN 3000
Voltage	220 – 240V
Rated Power	3000 Watts
Current	12.5-13.7 Amps
Breaker	Type C recommended
Frequency	50 Hz
Cable Colour	Brown, Blue, Yellow/Green

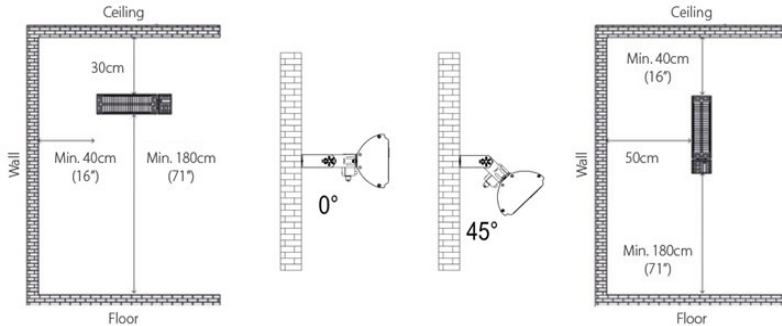
The mounting position of the unit must ensure that any mechanical damage to the flexible cable is unlikely. Excess cable should be secured and must not touch hot parts of the heater and should not encroach into the heated area. Do not allow the cable to act as a conduit for water into the cable gland on the back of the heater. Colour coding used in the supplied mains cable: BROWN wire is to be connected to LIVE ('L'), the BLUE wire to NEUTRAL ('N') and the GREEN/YELLOW wire to EARTH ('E').

MOUNTING POSITION:

The Herschel MANHATTAN is a middle wave infrared heater characterised by a strong beam of heat suited for use in colder areas or areas that may be subject to light winds, whilst still maintaining heating effectiveness. When used outdoors or other areas with air movement/wind, the directional Infrared spread may reduce by 1/3 to 1/2 from published figures.

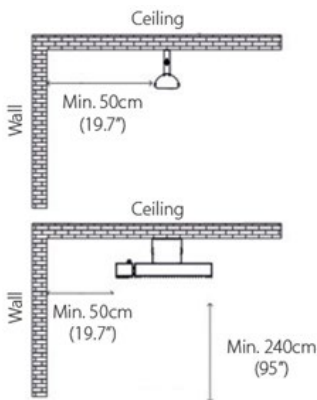
Ensure distances are maintained from the nearest wall or ceiling according to your installation, as shown:

Diagram 1: Wall Mounted, horizontal or vertical



MANHATTAN may be wall mounted horizontally or vertically and can be adjusted to project straight outwards or at a 45° angle. The minimum installation height of the MANHATTAN above the floor is 1.8m (71") when wall mounted.

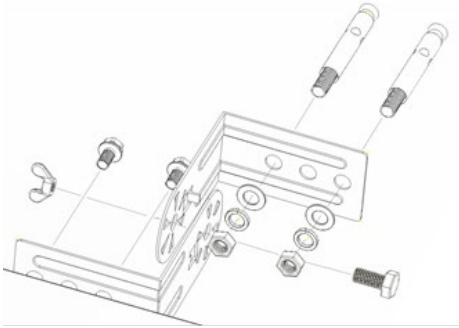
Diagram 2 – Ceiling Mounted



The minimum installation height of the MANHATTAN above the floor is 2.4m (95") when ceiling mounted. Consideration should be given to any temporary or occasional structures such as stages or platforms and adjusted accordingly. Keep the cable and other electrical connections outside the heater footprint.

For all installations, the MANHATTAN must be located in a position to allow proper and efficient use but one that ensures hot parts are not touched accidentally.

INSTALLATION:

Diagram 3: Bracket Assembly**Mounting Hardware Includes:**

4 x bracket pieces - fit together to form 2 brackets with a central pivot. The protruding blade on each bracket fits over the circular end of the opposing bracket to ensure the correct pivot angle.

4 x M6x60 masonry expansion bolts (for fitting brackets onto wall).

2 x small bolts to fit brackets onto the rear of the heater.

2 x small bolts and wing nuts (to form the pivot on the brackets).

Using the brackets as a template, mark and drill 4 x 8mm holes in the wall. Insert the plugs into the wall and fit the brackets, washers, spring washers and nuts over the exposed threaded ends. Tightening the nuts will force the plug end to expand in the wall and form a secure mounting for the heater.

Fit the opposite bracket to the back of the heater before then inserting and tightening the bolt and nut for each hinge.

HANDLING WHILE INSTALLING:

Take care while installing to avoid touching the grill on the front of the heater. Be sure to wipe away any finger marks from the heater before the heater is first switched on, since the oils in fingerprints can burn and cause rapid discolouration of certain parts.

⚠ CAUTION:

- Ensure mains power is OFF and the unit is cool before commencing installation.
- The supplied mains cable must not contact the top surface of the heater during operation.
- Heater must not be located immediately above or below a socket outlet. Electrical connections must be made outside of the footprint of the unit to avoid heat build-up in the connection.
- Joists, beams and rafters shall not be cut or notched to install the appliance.
- This heater is not intended for recessed installation.
- The identification mark and model reference should be visible after installation.
- The fixed wiring insulation coming into contact with parts with a temperature rise of greater than 50°C must be protected, for example, by sleeving having an appropriate temperature rating.
- Ensure that wires are properly secured and cannot be pulled by small children.

INITIAL USE:

The power switch on the side of the MANHATTAN has 3 positions:

- Position O (Off)
- Position I (Remote bypass)
- Position II (Remote control).



CAUTION: The power switch may become unintentionally switched to position I (Remote Bypass) during unpacking and installation. To avoid any possibility of burns, ensure the power switch is in the OFF position (marked **O** on the switch) before switching on mains power.

Position I. To bypass the remote control, turn the switch on the heater to position I. When the switch is in this position the heater will turn on or off depending on whether it has power to it. The remote control unit will not control the heater when the switch is in position I. Use this where you wish to hard wire the heater to a switching device such as a push button timer or thermostat.

Position II. To use the heater with the remote control, ensure the switch of the heater is switched to position II.

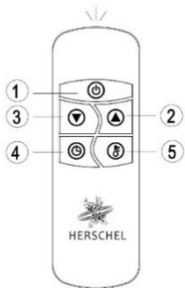
Insert 2 x AAA Alkaline batteries into the remote control.

The remote control operates the heater remotely on or off with adjustable heat level and timer described below. All Herschel remote controls have the same frequency, so it is possible to control several heaters with just one remote.

There may be odour or vapour from the heater on initial use or if it has not been used for an extended period. This is normal.

OPERATION BY REMOTE CONTROLLER:

The heater may be operated from the remote controls supplied.



Remote Control Function			
Button	Function (Heater On)	Function (Heater Off)	LED Display on Heater
1	Turns heater on or off		
2	Increase Heat Level or Timer hours	Turns heater on to Level 1 (minimum)	L1 50%
3	Decrease Heat Level or Timer Hours	Turns heater on to Level 2 (Maximum)	L2 100%
4	Enable Timer adjustment	0 - 24	[0H] - [24H]
5	Enable Heat Level adjustment		L [n]

All Herschel remote controls have the same frequency, so it is possible to control several heaters with just one remote.

EXTENDED USE:

Over time the grill may discolour due to high temperatures, airborne contaminants and fingerprints. Discolouration will not affect the performance or safety of the heater and is not a condition for warranty replacement.

USER MAINTENANCE:

Avoid touching the front grill on the front of the heater and be sure to wipe off fingerprints from these parts. Avoid touching a cold lamp with your fingers. Always wipe off finger marks if you accidentally touch the lamp. Residue from fingerprints can cause hot spots on the lamp surface and shorten the life of the lamp.

The heater may be wiped-down with a soft damp cloth. Do not use abrasive detergents to clean the unit. DO NOT use alcohol, petrol, abrasive cleaners, furniture polish or rough brushes to clean the MANHATTAN. This will cause deterioration to the surface of the heater. Changing the lamp should only be carried out by suitably qualified personnel.

DISPOSAL:

This heater is an electrical product and must not be disposed of in household waste. A high percentage of the heater can be recycled. Please treat as electrical waste and recycle in accordance with local regulations.

WARRANTY:

Register your product here: <https://www.herschel-infrared.co.uk/customer-service/warranty-registration/>
The Herschel MANHATTAN is guaranteed against failure due to faulty materials or workmanship for two years from date of purchase excluding the lamp and remote control. In the unlikely event of failure of the unit within this time, the unit must be returned to the supplier for repair or replacement. The guarantee is invalid if the correct installation instructions as given in this leaflet have not been adhered to. Refer to Herschel Infrared Ltd's warranty policy for full details. See <https://www.herschel-infrared.co.uk>. Note your serial number for future reference:

TECHNICAL INFORMATION:

Rated Power:	3000W at 220-240V
Power Settings:	1500W / 3000W with remote control. 3000W in remote by-pass mode
Heating Element:	2 x 1.5kW middle wave infrared lamps
Reflector:	Mirror Aluminium (98% reflection preventing rearward heat loss)
Dimensions:	104.5 x 15 x 8.5cm
Mounting position:	Wall or Ceiling
Warm-up time:	2 seconds
Peak wavelength:	2 - 5µm
Weight:	4.2kg
Warranty:	2 Years (excludes lamp & remote control)
Protection:	IP54
Remote:	24 hour timer, half power setting. 2 x AAA batteries

ELECTRICAL EQUIPMENT:



Waste electrical products should not be disposed of with household waste. Please recycle where facilities exist.

IMPORTANT NOTICE TO PURCHASER:

Before using the product, you should determine its suitability for its intended use. HERSCHEL INFRARED LTD expressly disclaims implied warranties and conditions of merchantability and fitness for a particular purpose. In no case shall HERSCHEL INFRARED LTD be liable under any legal theory, including but not limited to contract or strict liability, for any direct, indirect special, incidental or consequential damages resulting from product

PRÉCAUTIONS DE SÉCURITÉ IMPORTANTES

LIRE ATTENTIVEMENT CES INSTRUCTIONS ET LES CONSERVER POUR RÉFÉRENCE FUTURE.

Le non-respect de ces instructions annulera la garantie. Aucune responsabilité ne peut être acceptée pour tout dommage causé par le non-respect de ces instructions ou par une mauvaise utilisation ou une mauvaise manipulation.

Cet appareil peut être une source de choc possible.

Ne pas désassembler. Aucune pièce réparable par l'utilisateur à l'intérieur.

Source d'inflammation possible.



ATTENTION

POUR RÉDUIRE LE RISQUE D'INCENDIE, DE CHOC ÉLECTRIQUE OU DE BLESSURE :

1. Retirez l'unité de son emballage et vérifiez qu'elle est en bon état avant de l'installer et de l'utiliser.
2. Envoyez l'emballage à recycler. **NE PAS** laisser les enfants jouer avec des sacs en plastique ou d'autres parties de l'emballage.
3. **ATTENTION** : Risque de choc électrique
 - a. Cet appareil doit être débranché de sa source d'alimentation pendant les activités d'installation ou d'entretien et lors du remplacement.
 - b. N'utilisez **PAS** ce radiateur à proximité immédiate d'une baignoire, d'une douche, d'une piscine ou d'un bain à remous où il pourrait tomber dans un récipient rempli d'eau.
 - c. Les interrupteurs et autres commandes ne doivent pas être à la portée d'une personne dans un bain, une piscine, un bain à remous ou une douche.
 - d. **NE PAS** toucher ce radiateur ou ses commandes avec les mains mouillées.
 - e. **NE PAS** laisser les câbles d'alimentation s'immerger dans l'eau ou tout autre liquide.
 - f. N'ouvrez **PAS** ou n'essayez **PAS** de réparer le radiateur vous-même. L'entretien doit être effectué uniquement par du personnel qualifié.
4. Afin d'éviter une surchauffe et un risque d'incendie potentiel, **NE** couvrez en aucun cas l'appareil de chauffage. Si l'appareil de chauffage est accidentellement couvert pendant le fonctionnement, éteignez-le immédiatement et éliminez tout corps étranger qui a recouvert l'appareil de chauffage ou s'est logé dans le gril.
5. L'unité doit être installée avec un dégagement minimum de 1800 mm (71") au sol et un dégagement de 300 mm (12") en haut et de 400 mm (16") sur les côtés du radiateur.
6. **NE PAS** toucher l'appareil de chauffage lorsqu'il est utilisé. Certaines parties de l'appareil de chauffage peuvent dépasser 200 °C / 392 °F pendant le fonctionnement. Le contact avec l'appareil de chauffage pendant le fonctionnement peut provoquer de graves brûlures. Ne touchez pas le radiateur pendant ou pendant 10 minutes après le fonctionnement.
7. N'utilisez **PAS** le radiateur si le cordon d'alimentation est endommagé. Celui-ci doit être remplacé par le fabricant, son agent de service ou des personnes de qualification similaire afin d'éviter tout danger.



Traduction des instructions originales pour les radiateurs Manhattan
3000 Watt produits à partir de 122019. Certificat SAA SAA-202327-
EA



8. **NE PAS** utiliser l'appareil de chauffage pour enflammer des matériaux. **NE PAS** faire fonctionner dans des endroits contenant de l'essence, des liquides inflammables ou d'autres substances volatiles.
9. N'installez **PAS** cet appareil de chauffage à proximité ou en direction d'objets inflammables à moins d'un mètre ou là où des rideaux, des serviettes ou d'autres articles inflammables peuvent être soufflés sur l'appareil de chauffage.
10. Ce radiateur ne doit être utilisé que pour le chauffage de personnes à l'extérieur ou à l'intérieur dans un espace non clos. Le MANHATTAN ne doit pas être utilisé par des enfants ou des personnes ayant des capacités physiques, sensorielles ou mentales réduites, ou un manque d'expérience ou de connaissances, qu'ils aient reçu des instructions ou qu'ils soient sous surveillance. Les enfants doivent être tenus à l'écart et ne doivent pas être laissés sans surveillance autour de l'unité.
11. Tous les opérateurs doivent allumer/éteindre l'appareil uniquement à condition qu'il ait été placé ou installé dans sa position de fonctionnement normale prévue et qu'ils aient reçu une supervision ou des instructions concernant l'utilisation de l'appareil de manière sûre et qu'ils comprennent les risques encourus. Les enfants ne doivent pas brancher, allumer ou régler l'appareil ou effectuer l'entretien par l'utilisateur, y compris le nettoyage.
12. **NE PAS** laisser le radiateur fonctionner sans surveillance.
13. **NE JAMAIS** placer les mains sous l'élément chauffant pendant le fonctionnement.
14. **IMPORTANT** : Assurez-vous que la tension d'alimentation ne dépasse pas 245 volts.

CONSERVEZ CES INSTRUCTIONS.

PROTECTION CONTRE LES INFILTRATIONS D'EAU :

Herschel MANHATTAN est classé à la norme IP54. Convient pour une utilisation en extérieur.

L'installation dans des zones telles que des salles de bains extérieures, des piscines ou des zones de bain à remous doit être effectuée par un installateur qualifié et conforme aux exigences locales de sécurité électrique.

En cas de doute, n'installez pas. Herschel Infrared Ltd ne sera pas responsable des pertes, dommages ou blessures causés ou résultant d'un montage inadéquat ou d'un placement incorrect des appareils de chauffage à proximité de sources d'eau.

INFORMATIONS ÉLECTRIQUES :

Le Herschel MANHATTAN peut être branché sur une prise étanche. Toute rallonge utilisée doit avoir une capacité suffisante pour transporter le courant requis par l'appareil de chauffage, comme indiqué dans le tableau 1. Toutes les fiches, prises et interrupteurs destinés à être utilisés à l'extérieur doivent avoir une protection appropriée contre les infiltrations d'eau.

Alternativement, la fiche peut être retirée et l'unité connectée au câblage secteur fixe. Les installations de câblage fixe ne doivent être effectuées que par des personnes compétentes ou un électricien qualifié conformément aux réglementations nationales et l'unité doit être mise à la terre. L'alimentation électrique de l'unité doit être fournie en se connectant à un dispositif de protection de courant adapté à la puissance électrique de l'unité conformément au Tableau 1 et en assurant une déconnexion dans les deux pôles. Tout le câblage fixe doit avoir une capacité suffisante pour transporter le courant requis par l'appareil de chauffage.

Débranchez toujours l'appareil de chauffage de l'alimentation lorsqu'il n'est pas utilisé.

Herschel vous recommande d'utiliser un disjoncteur de type C pour gérer le courant initial lorsque l'appareil de chauffage est allumé.

Tableau 1. Spécification électrique

Modèle	MANHATTAN 3000
Tension	220 – 240V
Puissance nominale	3000 Watts
Actuel	12.5-13.7 Ampères
Briseur	Type C recommandé
La fréquence	50 Hz
Couleur du câble	Marron, Bleu, Jaune/Vert

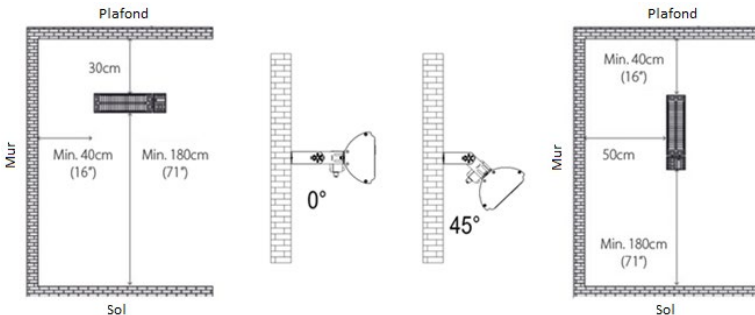
La position de montage de l'unité doit garantir que tout endommagement mécanique du câble flexible est peu probable. L'excédent de câble doit être fixé et ne doit pas toucher les parties chaudes du radiateur et ne doit pas empiéter sur la zone chauffée. Ne laissez pas le câble servir de conduit pour l'eau dans le presse-étoupe à l'arrière de l'appareil de chauffage. Code couleur utilisé dans le câble d'alimentation fourni : le fil MARRON doit être connecté à LIVE (« L »), le fil BLEU au NEUTRE (« N ») et le fil VERT/JAUNE à la TERRE (« E »).

POSITION DE MONTAGE :

Le Herschel MANHATTAN est un radiateur infrarouge à onde moyenne caractérisé par un puissant faisceau de chaleur adapté à une utilisation dans des zones plus froides ou susceptibles d'être soumises à des vents légers, tout en maintenant l'efficacité de chauffage. Lorsqu'il est utilisé à l'extérieur ou dans d'autres zones avec mouvement d'air/vent, la propagation infrarouge directionnelle peut être réduite de 1/3 à 1/2 par rapport aux chiffres publiés.

Assurez-vous que les distances sont maintenues par rapport au mur ou au plafond le plus proche en fonction de votre installation, comme indiqué :

Schéma 1 : Montage mural, horizontal ou vertical



MANHATTAN peut être fixé au mur horizontalement ou verticalement et peut être ajusté pour se projeter directement vers l'extérieur ou à un angle de 45°. La hauteur d'installation minimale du MANHATTAN au-dessus du sol est de 1,8 m (71") lorsqu'il est fixé au mur.

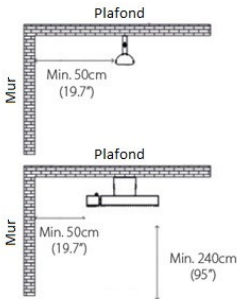
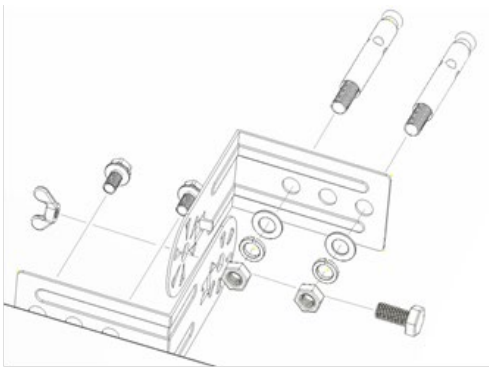


Schéma 2 – Montage au plafond La hauteur d'installation minimale du MANHATTAN au-dessus du sol est de 2,4 m (95") lorsqu'il est monté au plafond. Il convient de prendre en considération toute structure temporaire ou occasionnelle telle que des scènes ou des plates-formes et ajustée en conséquence. Gardez le câble et les autres connexions électriques en dehors de l'empreinte de l'appareil de chauffage.

Pour toutes les installations, le MANHATTAN doit être situé dans une position permettant une utilisation correcte et efficace mais garantissant que les pièces chaudes ne sont pas touchées accidentellement.

INSTALLATION:

Schéma 3 : Assemblage du support



Le matériel de montage comprend :

- 4 pièces de support - s'assemblent pour former 2 supports avec un pivot central. La lame en saillie sur chaque support s'adapte sur l'extrémité circulaire du support opposé pour assurer l'angle de pivotement correct.
- 4 x boulons à expansion de maçonnerie M6x60 (pour la fixation des supports sur le mur).
- 2 x petits boulons pour fixer les supports à l'arrière du radiateur.
- 2 x petits boulons et écrous à oreilles (pour former le pivot sur les supports).

En utilisant les supports comme gabarit, marquez et percez des trous de 4 x 8 mm dans le mur. Insérez les chevilles dans le mur et placez les supports, les rondelles, les rondelles élastiques et les écrous sur les extrémités filetées exposées. Le serrage des écrous forcera l'extrémité de la fiche à se dilater dans le mur et formera un support sécurisé pour le radiateur.

Installez le support opposé à l'arrière du radiateur avant d'insérer et de serrer le boulon et l'écrou pour chaque charnière.

MANIPULATION PENDANT L'INSTALLATION :

Faites attention lors de l'installation pour éviter de toucher la grille à l'avant du radiateur. Assurez-vous d'essuyer toute trace de doigt sur le radiateur avant de le mettre en marche pour la première fois, car les huiles contenues dans les empreintes digitales peuvent brûler et provoquer une décoloration rapide de certaines pièces.



MISE EN GARDE:

- Assurez-vous que l'alimentation secteur est coupée et que l'unité est froide avant de commencer l'installation.

- Le câble d'alimentation fourni ne doit pas entrer en contact avec la surface supérieure de l'appareil de chauffage pendant le fonctionnement.
- Le radiateur ne doit pas être situé immédiatement au-dessus ou au-dessous d'une prise de courant. Les connexions électriques doivent être effectuées à l'extérieur de l'empreinte de l'unité pour éviter l'accumulation de chaleur dans la connexion.
- Les solives, poutres et chevrons ne doivent pas être coupés ou encochés pour installer l'appareil.
- Ce radiateur n'est pas conçu pour une installation encastrée.
- La marque d'identification et la référence du modèle doivent être visibles après l'installation.
- L'isolation des câbles fixes entrant en contact avec des pièces dont l'échauffement est supérieur à 50°C doit être protégée, par exemple, par des gaines ayant une température nominale appropriée.
- Assurez-vous que les fils sont correctement fixés et ne peuvent pas être tirés par de jeunes enfants.

UTILISATION INITIALE :

L'interrupteur d'alimentation sur le côté du MANHATTAN a 3 positions :

- Position O (Désactivé)
- Position I (Bypass à distance)
- Position II (Télécommande).



MISE EN GARDE:

L'interrupteur d'alimentation peut basculer par inadvertance sur la position I (dérivation à distance) pendant le déballage et l'installation. Pour éviter tout risque de brûlure, assurez-vous que l'interrupteur d'alimentation est en position OFF (marqué O sur l'interrupteur) avant de mettre sous tension.

Position I. Pour contourner la télécommande, placez l'interrupteur de l'appareil de chauffage en position I. Lorsque l'interrupteur est dans cette position, l'appareil de chauffage s'allumera ou s'éteindra selon qu'il est alimenté ou non. La télécommande ne contrôlera pas le radiateur lorsque l'interrupteur est en position I. Utilisez-le lorsque vous souhaitez câbler le radiateur à un dispositif de commutation tel qu'une minuterie à bouton-poussoir ou un thermostat.

Poste II. Pour utiliser le radiateur avec la télécommande, assurez-vous que l'interrupteur du radiateur est en position II.

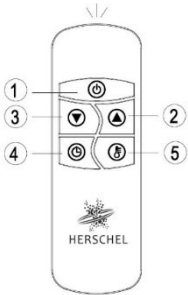
Insérez 2 piles alcalines AAA dans la télécommande.

La télécommande permet d'allumer ou d'éteindre le radiateur à distance avec un niveau de chaleur et une minuterie réglables décrits ci-dessous. Toutes les télécommandes Herschel ont la même fréquence, il est donc possible de contrôler plusieurs radiateurs avec une seule télécommande.

Il peut y avoir une odeur ou de la vapeur de l'appareil de chauffage lors de la première utilisation ou s'il n'a pas été utilisé pendant une période prolongée. C'est normal.

FUNCTIONNEMENT PAR TÉLÉCOMMANDE :

Le chauffage peut être commandé à partir de la télécommande fournie.



Fonction de télécommande			
Bouton	Fonction (chauffage allumé)	Fonction (chauffage éteint)	Affichage LED sur le chauffage
1	Allume ou éteint le chauffage		
2	Augmenter le niveau de chaleur ou Heures de la minuterie	Allume le chauffage à Niveau 1 (minimum)	L1 50%
3	Diminuer le niveau de chaleur ou Heures de la minuterie	Allume le chauffage à Niveau 2 (maximum)	L2 100%
4	Activer le réglage de la minuterie	0 - 24	[0H] - [24H]
5	Activer le niveau de chaleur ajustement		L [n]

UTILISATION ÉLARGIE :

Au fil du temps, le grill peut se décolorer en raison des températures élevées, des contaminants en suspension dans l'air et des traces de doigts. La décoloration n'affectera pas les performances ou la sécurité de l'appareil de chauffage et n'est pas une condition de remplacement sous garantie.

ENTRETIEN UTILISATEUR :

Évitez de toucher la grille avant à l'avant de l'appareil de chauffage et assurez-vous d'essuyer les empreintes digitales de ces pièces.

Évitez de toucher une lampe froide avec vos doigts. Essayez toujours les traces de doigts si vous touchez accidentellement la lampe. Les résidus d'empreintes digitales peuvent provoquer des points chauds sur la surface de la lampe et raccourcir la durée de vie de la lampe.

Le radiateur peut être essuyé avec un chiffon doux et humide. N'utilisez pas de détergents abrasifs pour nettoyer l'appareil. N'utilisez PAS d'alcool, d'essence, de nettoyants abrasifs, de cirage pour meubles ou de brosses rugueuses pour nettoyer le MANHATTAN. Cela entraînera une détérioration de la surface de l'appareil de chauffage.

Le remplacement de la lampe ne doit être effectué que par du personnel qualifié.

DISPOSITION:

Ce radiateur est un produit électrique et ne doit pas être jeté avec les ordures ménagères. Un pourcentage élevé de l'appareil de chauffage peut être recyclé. Veuillez les traiter comme des déchets électriques et les recycler conformément aux réglementations locales.

GARANTIE:

Enregistrez votre produit ici :

<https://www.herschel-infrarouge.fr/service-clients/enregistrement-garantie/> Le Herschel MANHATTAN est garanti contre les pannes dues à un défaut de matériaux ou de fabrication pendant deux ans à compter de la date d'achat hors lampe et télécommande. Dans le cas improbable d'une défaillance de l'unité dans ce délai, l'unité doit être renvoyée au fournisseur pour réparation ou remplacement. La garantie n'est pas valable si les instructions d'installation correctes telles que données dans cette brochure n'ont pas été respectées. Reportez-vous à la politique de garantie de Herschel Infrared Ltd pour plus de détails. Voir <https://www.herschel-infrarouge.fr/>

Notez votre numéro de série pour référence future :

TECHNICAL INFORMATION:

Puissance nominale :	3000W à 220-240V
Paramètres d'alimentation :	1500W / 3000W avec télécommande. 3000W en mode bypass à distance
Élément chauffant:	2 lampes chauffantes à faible éblouissement haut de gamme de 1,5 kW
Réflecteur:	Miroir en aluminium (98% de réflexion empêchant la perte de chaleur vers l'arrière)
Dimensions:	104,5 x 15 x 8,5 cm
Position de montage :	Mur ou Plafond
Temps de préchauffage:	2 secondes
Longueur d'onde maximale :	0.8µm
Poids:	4.2kg
Garantie:	2 ans (hors lampe et télécommande)
Protection:	IP54
À distance:	Minuterie de 24 heures, réglage à mi-puissance. 2 piles AAA

ÉQUIPEMENT ÉLECTRIQUE:

Les déchets de produits électriques ne doivent pas être jetés avec les ordures ménagères. Veuillez recycler là où les installations existent.

**AVIS IMPORTANT À L'ACHETEUR :**

Avant d'utiliser le produit, vous devez déterminer son adéquation à l'usage auquel il est destiné. HERSCHEL INFRARED LTD décline expressément les garanties et conditions implicites de qualité marchande et d'adéquation à un usage particulier. En aucun cas, HERSCHEL INFRARED LTD ne pourra être tenu responsable en vertu d'une quelconque théorie juridique, y compris, mais sans s'y limiter, la responsabilité contractuelle ou stricte, pour tout dommage direct, indirect spécial, accessoire ou consécutif résultant de l'utilisation du produit.

WICHTIGE SICHERHEITSHINWEISE

LESEN SIE DIESE HINWEISE SORGFÄLTIG DURCH UND BEWAHREN SIE SIE ZUM SPÄTEREN NACHSCHLAGEN AUF.

Die Nichtbeachtung dieser Hinweise führt zum Erlöschen der Garantie. Für Schäden, die durch Nichtbeachtung dieser Anleitung oder durch unsachgemäßen Gebrauch oder falsche Handhabung entstehen, kann keine Haftung übernommen werden.

Dieses Gerät kann eine mögliche Stromschlagquelle sein.

Das Gerät darf nicht demontiert werden. Im Inneren des Gerätes befinden sich keine Teile, die vom Benutzer gewartet werden können.

Vorsicht: Mögliche Entzündungsquelle.



ZUR VERRINGERUNG DES BRAND-, STROMSCHLAG- ODER VERLETZUNGSRIKOS, BEACHTEN SIE FOLGENDE HINWEISE:

1. Nehmen Sie das Gerät aus der Verpackung und prüfen Sie es vor der Montage und dem Betrieb auf seinen ordnungsgemäßen Zustand.
2. Entsorgen Sie die Verpackung zum Recycling. Lassen Sie Kinder **NICHT** mit Plastiktüten oder anderen Teilen der Verpackung spielen.
3. **VORSICHT:** Gefahr eines Stromschlags
 - a. Dieses Gerät muss bei Montage- oder Servicearbeiten sowie bei Austauscharbeiten von seiner Stromquelle getrennt werden.
 - b. Verwenden Sie dieses Heizgerät **NICHT** in der unmittelbaren Umgebung einer Badewanne, Dusche oder eines Swimmingpools, wo es in einen mit Wasser gefüllten Behälter fallen könnte.
 - c. Schalter und andere Bedienelemente dürfen sich nicht in Reichweite einer Person befinden, die sich in einer Badewanne, einem Pool oder einer Dusche befindet.
 - d. Berühren Sie diesen Heizstrahler oder seine Bedienelemente **NICHT** mit nassen Händen.
 - e. Vermeiden Sie, dass Stromkabel in Wasser oder andere Flüssigkeiten gelangen.
 - f. Warten Sie den Heizstrahler **NICHT** und versuchen Sie **NICHT**, ihn selbst zu reparieren. Die Wartung sollte nur von qualifiziertem Personal durchgeführt werden.
4. Um eine Überhitzung und somit potenzielle Brandgefahr zu vermeiden, darf das Heizgerät unter keinen Umständen abgedeckt werden. Sollte das Heizgerät während des Betriebs versehentlich abgedeckt werden, schalten Sie es sofort aus und entfernen Sie alle Fremdkörper, die das Heizgerät bedeckt haben oder im Schutzgitter stecken geblieben sein könnten.
5. Das Gerät muss mit einem Mindestabstand von 1800 mm (71") zum Boden und 300 mm (12") Abstand zur Decke sowie 400 mm (16") zu beiden Seiten des Heizstrahlers installiert werden.
6. Berühren Sie das Heizgerät **NICHT**, wenn es in Gebrauch ist. Teile des Heizgeräts können während des Betriebs 200°C / 392°F überschreiten. Der Kontakt mit dem Heizstrahler während des Betriebs



kann zu schweren Verbrennungen führen. Berühren Sie den Heizstrahler während oder für 10 Minuten nach dem Betrieb nicht.

7. Verwenden Sie den Heizstrahler **NICHT**, wenn das Netzkabel beschädigt ist. Dieses muss durch den Hersteller, seinen Kundendienst oder ähnlich qualifiziertes Fachpersonal ersetzt werden, um eine Gefährdung zu vermeiden.
8. Verwenden Sie den Heizstrahler **NICHT** zum Entzünden von Materialien. Das Gerät darf **NICHT** an Orten betrieben werden, an denen sich Benzin, entflammare Flüssigkeiten oder andere entflammare Substanzen befinden.
9. Montieren Sie diesen Heizstrahler **NICHT** in der Nähe von entflammaren Gegenständen (Mindestsicherheitsabstand 1 Meter) oder dort, wo Vorhänge, Handtücher oder andere entflammare Gegenstände aufgrund von Wind o.Ä. auf den Heizstrahler geweht werden könnten.
10. Dieser Heizstrahler ist ausschließlich zum Wärmen von Personen im Freien oder in Innenräumen, die nicht geschlossen sind, zu verwenden. Der MANHATTAN darf nicht von Kindern oder Personen mit eingeschränkten physischen, sensorischen oder mentalen Fähigkeiten oder mangelnder Erfahrung oder Kenntnissen benutzt werden, unabhängig davon, ob sie eingewiesen wurden oder unter Aufsicht stehen. Kinder sollten ferngehalten und nicht unbeaufsichtigt in der Nähe des Gerätes zurückgelassen werden.
11. Alle Benutzer dürfen das Gerät nur dann ein- und ausschalten, wenn es in seiner vorgesehenen Betriebsposition angebracht oder montiert wurde und wenn sie eine Unterweisung über den sicheren Gebrauch des Geräts erhalten haben und die damit verbundenen Gefahren verstanden haben. Kinder dürfen das Gerät weder an das Stromnetz anschließen, einschalten oder regulieren noch Wartungsarbeiten einschließlich der Reinigung durchführen.
12. Lassen Sie den Heizstrahler **NICHT** unbeaufsichtigt.
13. Halten Sie während des Betriebs **NIEMALS** die Hände unter das Heizelement.
14. **WICHTIG:** Stellen Sie sicher, dass die Versorgungsspannung 245 Volt nicht übersteigt.

BEWAHREN SIE DIESE ANWEISUNGEN SICHER AUF.

SCHUTZ GEGEN DAS EINDRINGEN VON WASSER:

Herschel MANHATTAN ist nach dem Standard IPX4 (spritzwassergeschützt) eingestuft. Um die Lebensdauer des Heizstrahlers zu maximieren und die Möglichkeit eines Stromschlags zu vermeiden, darf das Gerät nicht an Orten betrieben oder gelagert werden, an denen es Schlagregen, Wind, Frost oder Salzwasserverschmutzung ausgesetzt sein könnte. Herschel MANHATTAN ist nicht für die Montage an Orten vorgesehen, die dauerhaft nass oder feucht sind.

Die Montage in Bereichen wie beispielsweise Außenbädern, Pools oder Whirlpoolanlagen muss von einem entsprechend qualifizierten Installateur durchgeführt werden und den örtlichen Anforderungen an die elektrische Sicherheit entsprechen.

Im Zweifelsfall sehen Sie bitte von einer Montage ab. Herschel Infrared Ltd. haftet nicht für Verluste, Schäden oder Verletzungen, die durch unsachgemäßen Einbau oder falsche Platzierung von Heizstrahlern in der Nähe von Wasserquellen verursacht werden oder daraus resultieren.

TECHNISCHE INFORMATIONEN:

Der Herschel MANHATTAN kann an eine wasserdichte Steckdose angeschlossen werden. Jedes verwendete Verlängerungskabel muss eine ausreichende Kapazität haben, um den vom Heizgerät benötigten Strom zu

führen, wie in Tabelle 1 gezeigt. Alle Stecker, Steckdosen und Schalter, die für den Einsatz im Freien bestimmt sind, müssen einen geeigneten Schutz gegen das Eindringen von Wasser aufweisen.

Alternativ kann der Stecker abgezogen und das Gerät an eine feste Netzleitung angeschlossen werden. Festverkabelte Installationen dürfen nur von sachkundigen Personen oder einer Elektrofachkraft gemäß den nationalen Vorschriften durchgeführt werden und das Gerät muss geerdet werden. Die Stromversorgung des Geräts sollte durch den Anschluss an eine für die elektrische Nennleistung des Geräts geeignete Schutzvorrichtung gemäß Tabelle 1 und eine beidseitige Trennung erfolgen. Alle festen Kabel müssen eine ausreichende Kapazität haben, um den vom Heizgerät benötigten Strom zu führen.

Trennen Sie das Heizgerät immer vom Strom, wenn es nicht verwendet wird.

Herschel empfiehlt, einen Schutzschalter vom Typ C zu verwenden, um den Anfangsstrom beim Einschalten der Heizung abzufangen.

Tabelle 1. Elektrische Spezifikationen

Modell	MANHATTAN 3000
Volt	220 – 240V
Leistung	3000 Watts
Einheit	12.5-13.7 Amper
Frequenz	50 Hz
Kabelfarbe	Braun, Blau, Gelb/Grün

Die Montageposition des Heizstrahlers muss gewährleisten, dass eine mechanische Beschädigung des flexiblen Kabels ausgeschlossen ist. Überschüssiges Kabel sollte gesichert werden und darf keine heißen Teile des Heizstrahlers berühren. Es muss außerhalb des Strahlungsbereiches verbleiben. Vermeiden Sie, dass das Kabel als Wasserführung in die Kabelverschraubung auf der Rückseite des Heizstrahlers dient.

Folgende Farbkennzeichnung wird im mitgelieferten Netzkabel verwendet:

Das BRAUNE Kabel ist an die PHASE, stromführender Leiter („L“), das BLAUE Kabel an den NEUTRALLEITER („N“) und das GRÜNE / GELBE Kabel an den SCHUTZLEITER, ERDE („PE“) anzuschließen.

MONTAGEPOSITION:

Der Herschel MANHATTAN ist ein Mittelwelle Infrarot-Strahler, der sich durch einen starken Wärmestrahler auszeichnet und sich für den Einsatz in kälteren Gegenden oder Gegenden eignet, die leichten Winden ausgesetzt sein können, wobei die Heizwirkung dennoch erhalten bleibt. Beim Einsatz im Freien oder in anderen Bereichen mit Luftbewegung/Wind kann sich die richtungsabhängige Infrarotausbreitung gegenüber den veröffentlichten Zahlen um 1/3 bis 1/2 verringern.

Die Enden des Heizstrahlers müssen immer mindestens 400 mm (12") von der nächsten Wand oder einer anderen Bebauung und mindestens 300 mm von der Decke entfernt sein.

Für die Montage muss der MANHATTAN so platziert werden, dass eine ordnungsgemäße und effiziente Nutzung gewährleistet ist, und gleichzeitig sichergestellt ist, dass heiße Teile nicht versehentlich berührt

werden können. Die minimale Montagehöhe des MANHATTAN beträgt 1,8m (71"). Unter keinen Umständen darf das Gerät in einer Höhe von weniger als 1,8 m (71") montiert werden. Weitere oder temporäre in der Nähe befindliche Konstruktionen müssen gegebenenfalls entsprechend angepasst werden.

MONTAGEANLEITUNG:

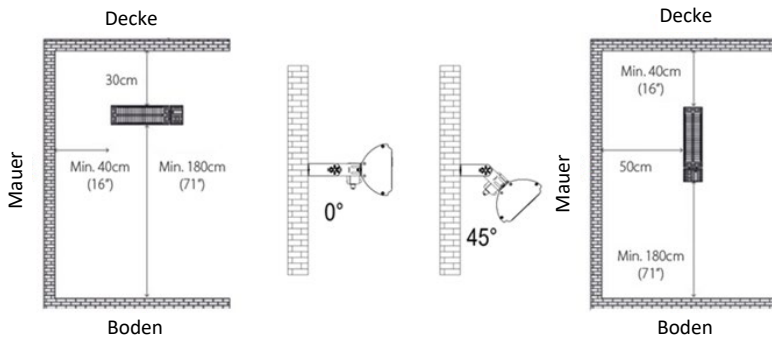
Achten Sie bei der Montage darauf, das Schutzgitter an der Vorderseite des Heizstrahlers nicht zu berühren. Wischen Sie vor dem ersten Einschalten des Heizstrahlers unbedingt alle Fingerabdrücke ab, da die Öle, die in den Fingerabdrücken vorhanden sind, verbrennen und zu einer raschen Verfärbung bestimmter Teile führen können.



- Vergewissern Sie sich, dass die Netzspannung ausgeschaltet und das Gerät kühl ist, bevor Sie mit der Montage beginnen.
- Das mitgelieferte Netzkabel darf die Oberseite des Heizstrahlers während des Betriebs nicht berühren.
- Der Heizstrahler darf sich nicht unmittelbar über oder unter einer Steckdose befinden. Elektrische Anschlüsse müssen außerhalb der Gerätegrundfläche erfolgen, um einen Wärmestau zu vermeiden.
- Träger, Balken und Sparren dürfen zum Einbau des Geräts weder zugeschnitten noch eingekerbt werden.
- Dieser Heizstrahler ist nicht für den Einbau Unterputz vorgesehen.
- Die Identifikationskennzeichnung und die Modellreferenz sollten nach der Montage sichtbar sein.
- Kabelisolierungen, die mit Teilen in Berührung kommen, die eine Temperatur von mehr als 50°C aufweisen, müssen beispielsweise durch eine Ummantelung der entsprechenden Temperatureinstufung geschützt werden.
- Stellen Sie sicher, dass die Kabel ordnungsgemäß gesichert sind und nicht von kleinen Kindern gezogen werden können.

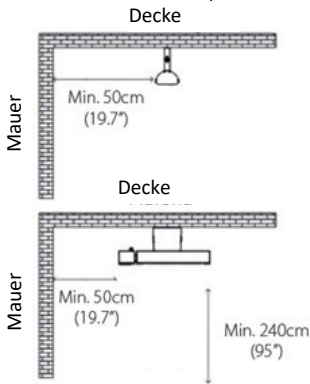
MONTAGE

Abbildung 1. Befestigungsmaterial und Positionierung



DEUTSCH

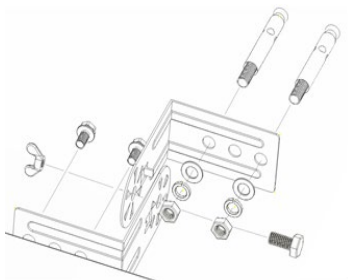
Die minimale Montagehöhe des MANHATTAN über dem Boden beträgt 2,4 m (95") bei Montage an der Decke. Eventuelle temporäre oder gelegentliche Konstruktionen wie Bühnen oder Podeste sind zu berücksichtigen. Formen und entsprechend anpassen Halten Sie Kabel und andere elektrische Verbindungen fern der Standfläche der Heizung. Bei allen Installationen muss sich der MANHATTAN in einer Position befinden, die einen korrekten und effizienten Gebrauch ermöglicht, aber sicherstellt, dass heiße Teile nicht versehentlich berührt werden.



INSTALLATION:

Diagramm 3: Halterungsmontage

Befestigungsmaterial beinhaltet:



- 4 x Halterungsstücke - passen zusammen, um 2 Halterungen mit einem zentralen Drehpunkt zu bilden. Die hervorstehende Klinge an jeder Halterung passt über das kreisförmige Ende der gegenüberliegenden Halterung, um den richtigen Schwenkwinkel zu gewährleisten.
- 4 x M6x60 Mauerwerkspreizdübel (zur Befestigung der Konsolen an der Wand).
- 2 x kleine Schrauben zum Befestigen der Halterungen an der Rückseite des Heizgeräts.
- 2 x kleine Schrauben und Flügelmuttern (um den Drehpunkt an den Halterungen zu bilden).

Verwenden Sie die Halterungen als Schablone, markieren und bohren Sie 4 x 8 mm Löcher in die Wand. Setzen Sie die Dübel in die Wand ein und montieren Sie die Halterungen, Unterlegscheiben, Federscheiben und Muttern über die freiliegenden Gewindeenden. Durch das Anziehen der Muttern wird das Steckerende gezwungen, sich in der Wand auszudehnen und eine sichere Halterung für das Heizgerät zu bilden. Bringen Sie die gegenüberliegende Halterung an der Rückseite des Heizgeräts an, bevor Sie dann die Schraube und Mutter für jedes Scharnier einsetzen und festziehen.

HANDHABUNG WÄHREND DER INSTALLATION:

Achten Sie bei der Installation darauf, dass Sie den Grill an der Vorderseite des Heizgeräts nicht berühren. Wischen Sie vor dem ersten Einschalten unbedingt alle Fingerabdrücke vom Heizgerät ab, da die Öle in den Fingerabdrücken verbrennen und bestimmte Teile schnell verfärben können.

**VORSICHT:**

- Stellen Sie sicher, dass die Netzstromversorgung ausgeschaltet ist und das Gerät abgekühlt ist, bevor Sie mit der Installation beginnen.
- Das mitgelieferte Netzkabel darf während des Betriebs nicht die Oberseite des Heizgerätes berühren.
- Heizgerät darf sich nicht unmittelbar über oder unter einer Steckdose befinden. Elektrische Anschlüsse müssen außerhalb der Stellfläche des Geräts erfolgen, um einen Wärmestau in der Verbindung zu vermeiden.
- Balken, Balken und Sparren dürfen für die Installation des Geräts nicht geschnitten oder eingekerbt werden.
- Dieses Heizgerät ist nicht für die Einbaumontage vorgesehen.
- Die Identifikationsmarke und die Modellbezeichnung sollten nach der Installation sichtbar sein.
- Die Isolierung der Festverdrahtung, die Teile mit einem Temperaturanstieg von mehr als 50°C berührt, muss geschützt werden, z. B. durch einen Schlauch mit einer entsprechenden Temperaturklasse.
- Stellen Sie sicher, dass die Drähte richtig befestigt sind und nicht von kleinen Kindern gezogen werden können.

ERSTBENUTZUNG:

Der seitliche Netzschalter hat 3 Positionen:

- Position O (Aus)
- Position I (Manuelle Steuerung)
- Position II (Fernsteuerung).



Der Netzschalter kann während des Auspackens und der Montage unbeabsichtigt in Position I (Manuelle Steuerung) geschaltet werden. Um Verbrennungen zu vermeiden, stellen Sie sicher, dass sich der Netzschalter in der AUSStellung (auf dem Schalter mit O gekennzeichnet) befindet, bevor Sie die Netzspannung einschalten.

Position I. Zur Umgehung der Fernschaltung schalten Sie den Schalter am Heizstrahler in Position I. Wenn sich der Schalter in dieser Position befindet, schaltet sich der Heizstrahler ein oder aus, je nachdem, ob er mit Strom versorgt wird oder nicht. Die Fernbedienung steuert den Heizstrahler nicht, wenn sich der Schalter in Position I befindet. Sie können diese Funktion verwenden, wenn Sie den Heizstrahler mit einer Schaltvorrichtung, wie beispielsweise einer Zeitschaltuhr, fest verbinden möchten.

Position II. Um den Heizstrahler mit der Fernbedienung zu verwenden, stellen Sie sicher, dass der Schalter des Heizstrahlers auf Position II geschaltet ist.

Legen Sie 2 AAA-Alkaline-Batterien in die Fernbedienung ein.

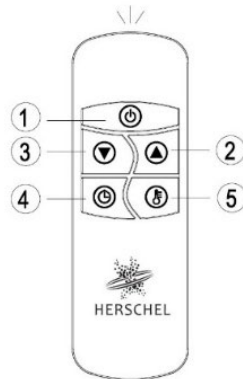
Die Fernsteuerung schaltet den Heizstrahler ein oder aus; einschließlich einstellbarer Heizstufe und Zeitschaltuhr, wie unten beschrieben. Alle Herschel-Fernbedienungen haben die gleiche Frequenz, so dass es möglich ist, mehrere Heizstrahler mit nur einer Fernbedienung zu steuern.

Bei der Erstinbetriebnahme oder wenn der Heizstrahler über einen längeren Zeitraum nicht benutzt wurde, kann Geruch oder Dampf aus dem Heizstrahler austreten. Dies ist aber ganz normal.

BEDIENUNG PER FERNBEDIENUNG:

Das Heizgerät kann mit der mitgelieferten Fernbedienung betrieben werden.

Funktionen der Fernbedienung			
Taste	Funktion (Heizung ein)	Funktion (Heizung aus)	LED-Anzeige am Heizstrahler
1	Schaltet den Heizstrahler ein oder aus		
2	Wärmegrad oder Timerstunden erhöhen	Schaltet die Heizung auf Stufe 1 ein (mindestens)	L1 50%
3	Wärmegrad oder Timerstunden verringern	Schaltet die Heizung auf Stufe 2 (maximum) ein	L2 100%
4	Heizstufe aktivieren Anpassung der Heizstufe		L [n]
5	Timer-Einstellung aktivieren	0 - 24	[0H] - [24H]



ERWEITERTE NUTZUNG:

Im Laufe der Zeit kann sich das Schutzgitter aufgrund von hohen Temperaturen, Luftverschmutzung und Fingerabdrücken verfärben.

Die Verfärbung beeinträchtigt weder die Leistung noch die Sicherheit des Heizstrahlers und ist keine Voraussetzung für einen Garantieaustausch.

WARTUNG:

Vermeiden Sie es, das vordere Schutzgitter des Heizstrahlers zu berühren und wischen Sie unbedingt Fingerabdrücke von diesen Teilen ab.

Vermeiden Sie es, eine kalte Lampe mit den Fingern zu berühren. Wischen Sie immer Fingerabdrücke ab, wenn Sie die Lampe versehentlich berühren. Rückstände von Fingerabdrücken können heiße Stellen auf der Lampenoberfläche verursachen und die Lebensdauer der Lampe verkürzen.

Der Heizstrahler kann mit einem weichen, feuchten Tuch abgewischt werden. Verwenden Sie keine scheuernden Reinigungsmittel, wenn Sie das Gerät reinigen. Verwenden Sie zum Reinigen des MANHATTAN

KEINEN Alkohol, kein Benzin, keine Scheuermittel, Möbelpolitur oder raue Bürsten. Dies führt zu einer Beschädigung der Oberfläche des Heizstrahlers.

Das Auswechseln der Lampe sollte nur von entsprechend qualifiziertem Personal durchgeführt werden.

ENTSORGUNG:

Dieser Heizstrahler ist ein Elektrogerät und darf nicht im Hausmüll entsorgt werden. Ein hoher Prozentsatz des Heizstrahlers kann recycelt werden. Bitte behandeln Sie ihn als Elektroschrott und recyceln Sie ihn gemäß den örtlichen Vorschriften.

GARANTIE:

Registrieren Sie Ihr Produkt hier:

<https://www.herschel-infrarotheizung.de/kundendienst/garantieregistrierung/>

Der Herschel MANHATTAN hat eine zweijährige Garantie auf Material- oder Verarbeitungsfehlern ab Kaufdatum, ausgenommen der Lampe und der Fernbedienung. Im unwahrscheinlichen Fall eines Defekts innerhalb dieser Zeit muss das Gerät zur Reparatur oder zum Austausch an den Lieferanten zurückgeschickt werden. Die Garantie ist ungültig, wenn die korrekten Montageanweisungen, wie sie in dieser Broschüre angegeben sind, nicht befolgt wurden. Ausführliche Informationen finden Sie in den Garantiebestimmungen von Herschel Infrared Ltd.

Siehe <https://www.herschel-infrarotheizung.de>

Notieren Sie hier Ihre Seriennummer für zukünftige Referenzen:

TECHNISCHE

INFORMATIONEN:

Nennleistung:	3000W bei 220-240V
Energieeinstellungen:	1500W / 3000W mit Fernbedienung. 3000W im Remote-Bypass-Modus
Heizkörper:	2 x 1,5kW Premium Low-Glare-Heizlampen
Reflektor:	Spiegelaluminium (98 % Reflexion verhindert Wärmeverlust nach hinten)
Maße:	104,5 x 15 x 8,5 cm
Einbaulage:	Wand oder Decke
Aufwärmzeit:	2 Sekunden
Spitzenwellenlänge:	0,8µm
Gewicht:	4.2kg
Garantie:	2 Jahre (ohne Lampe und Fernbedienung)
Schutz:	IP54
Fernbedienung:	24-Stunden-Timer, halbe Leistung. 2 x AAA-Batterien

ELEKTRISCHE AUSRÜSTUNG:



Elektrische Altgeräte dürfen nicht mit dem Hausmüll entsorgt werden, sondern müssen bei den örtlichen Sammelstellen oder dem Elektrohandel zur fachgerechten Entsorgung übergeben werden.

- Nähere Informationen erhalten Sie bei Ihrem kommunalen Entsorgungsbetrieb.
- Bitte recyceln Sie, sofern entsprechende Möglichkeiten vorhanden sind.

WICHTIGER HINWEIS FÜR DEN KÄUFER:

Bevor Sie das Produkt verwenden, sollten Sie dessen Eignung für den vorgesehenen Verwendungszweck prüfen. HERSCHEL INFRARED LTD lehnt Gewährleistungen und Garantien der Marktgängigkeit und Eignung für einen bestimmten Zweck ausdrücklich ab. In keinem Fall ist HERSCHEL INFRARED LTD verantwortlich für direkte, indirekte, spezielle, zufällige oder sonstige FolgeSchäden, die sich aus der Verwendung des Produkts ergeben, einschließlich, aber nicht beschränkt auf, vertragliche oder verschuldensunabhängige Haftung.

Das Produkt erfüllt die wesentlichen Anforderungen der europäischen Sicherheitsnormen Niederspannungsrichtlinie 2014/35/EG. Originalbedienungsleitung für Manhattan 3000-Watt-Heizstrahler ab Produktionsdatum 12-2019.

BELANGRIJKE VEILIGHEIDSMATREGELEN

LEES DEZE INSTRUCTIES ZORGVULDIG EN BEWAAR VOOR TOEKOMSTIGE REFERENTIE.

Het niet naleven van deze instructies maakt de garantie ongeldig. Er kan geen aansprakelijkheid worden aanvaard voor enige schade veroorzaakt door het niet naleven van deze instructies of door ongeschikt gebruik of verkeerde behandeling.

Dit toestel kan een bron van mogelijke schokken zijn.

Demonteer niet. Geen door de gebruiker te onderhouden onderdelen binnenin.

Bron van mogelijke ontsteking.



WAARSCHUWING

OM RISICO OP BRAND, ELEKTRISCHE SCHOK OF LETSEL TE VERMINDEREN

1. Haal het toestel uit zijn verpakking en controleer voor installatie en gebruik of het zich in goede staat bevindt.
2. De verpakking kan gerecycleerd worden. Laat kinderen **NIET** met plasticen zakken of andere delen van de verpakking spelen.
3. **VOORZICHTIG** : risico op elektrische schokken
 - a) Dit apparaat moet tijdens installatie- of serviceactiviteiten en bij vervanging worden losgekoppeld van de stroombron.
 - b) B. Gebruik deze heater **NIET** in de directe omgeving van een bad, douche, zwem- of spabad, waar het toestel in een bak vol water zou kunnen vallen.
 - c) C. Schakelaars en andere regelingen mogen zich niet binnen het bereik van een persoon in een bad, zwembad, spabad of douche bevinden.
 - d) D. Raak deze heater of bijhorende regeling **NIET** met natte handen aan.
 - e) E. Laat voedingskabels **NIET** in water of andere vloeistoffen onderdompelen.
 - f) F. Probeer **NIET** de heater te openen of herstellen. Onderhoud mag enkel door gekwalificeerde personen uitgevoerd worden.
4. Dek de verwarming onder alle omstandigheden **NIET** af om oververhitting en mogelijk brandgevaar te voorkomen. Indien de heater tijdens werking per ongeluk bedekt wordt, zet hem dan onmiddellijk uit en verwijder vreemde voorwerpen die de heater bedekken of in de rooster vastzitten.
5. Het toestel dient met een minimale afstand van 1800 mm (71") tot de vloer, 300 mm (12") tot de bovenkant en 400 mm (16") tot de zijkanten van de heater geïnstalleerd te worden.
6. Raak de verwarming **NIET** aan tijdens gebruik. Delen van de heater kunnen tijdens gebruik tot boven 200°C. /392°F warm worden. Contact met de heater tijdens gebruik kan ernstige brandwonden veroorzaken. Raak het toestel niet tijdens of 10 minuten na gebruik aan.
7. Gebruik de verwarming **NIET** als het netsnoer beschadigd is. Deze moet worden vervangen door de fabrikant, zijn distributeur of vergelijkbare gekwalificeerde personen om gevaar te voorkomen.
8. Gebruik de heater **NIET** om materialen te ontsteken. Gebruik **NIET** op locaties die benzine, brandbare vloeistoffen of andere vluchtige stoffen bevatten.



Vertaling van originele instructies voor Manhattan 3000 Watt radiatoren geproduceerd vanaf 122019. SAA Certificaat SAA-202327-
EA



9. Installeer deze heater **NIET** in de nabijheid van of gericht naar ontvlambare voorwerpen binnen 1 meter of waar gordijnen, handdoeken of andere brandbare items naar de heater geblazen kunnen worden.
10. Deze verwarming mag alleen worden gebruikt voor het verwarmen van mensen buiten of binnen in een niet-afgesloten ruimte. De MANHATTAN mag niet gebruikt worden door kinderen of personen met verminderde fysieke, zintuiglijke of mentale vermogens, gebrek aan ervaring of kennis, ongeacht of ze instructies hebben gekregen of onder toezicht staan. Kinderen moeten uit de buurt worden gehouden en mogen niet zonder toezicht rond het apparaat worden achtergelaten.
11. Alle gebruikers mogen het apparaat alleen in- of uitschakelen op voorwaarde dat het in de beoogde normale bedrijfsstand geplaatst of geïnstalleerd is en dat ze toezicht of instructies hebben gekregen over het veilige gebruik van het apparaat en de gevaren begrijpen. Kinderen mogen het apparaat niet aansluiten, inschakelen of regelen of gebruikersonderhoud uitvoeren, inclusief schoonmaken.
12. Laat de heater tijdens gebruik **NIET** zonder toezicht.
13. Plaats **NOOIT** handen onder het verwarmingselement tijdens gebruik.
14. **BELANGRIJK:** Zorg ervoor dat de voedingsspanning niet hoger is dan 245 volt.

BEWAAR DEZE INSTRUCTIES.

BESCHERMING TEGEN WATERINDRINGING :

Herschel MANHATTAN voldoet aan de norm IP54 (spatwaterdicht). Geschikt voor buitengebruik.

Installatie in omgevingen zoals outdoor badkamers, zwembaden of hot tubs moet door een gekwalificeerde installateur worden uitgevoerd en moet aan de lokale elektrische veiligheidsvoorschriften voldoen.

Bij twijfel niet installeren. Herschel Infrared Ltd is niet aansprakelijk voor verlies, schade of letsel veroorzaakt door of als gevolg van een onjuiste montage of onjuiste plaatsing van heaters in de buurt van waterbronnen.

ELEKTRISCHE INFORMATIE:

De Herschel MANHATTAN kan worden aangesloten op een waterdicht stopcontact. Elk verlengsnoer dat wordt gebruikt, moet voldoende capaciteit hebben om de stroom te voeren die door de verwarming wordt vereist, zoals weergegeven in tabel 1. Alle stekkers, stopcontacten en schakelaars die bedoeld zijn voor gebruik buitenshuis, moeten een geschikte bescherming hebben tegen het binnendringen van water.

Als alternatief kan de stekker worden verwijderd en kan de unit worden aangesloten op vaste netbedrading. Installaties met vaste bedrading mogen alleen worden uitgevoerd door competente personen of een gekwalificeerde elektricien in overeenstemming met de nationale voorschriften en de unit moet worden geaard. De elektrische voeding naar de unit moet worden geleverd door een stroombeveiligingsapparaat aan te sluiten dat geschikt is voor de elektrische classificatie van de unit in overeenstemming met Tabel 1 en te zorgen voor ontkoppeling in beide polen. Alle vaste bedrading moet voldoende capaciteit hebben om de door de verwarming vereiste stroom te voeren.

Koppel de kachel altijd los van de stroom wanneer deze niet in gebruik is.

Herschel raadt u aan een type C stroomonderbreker te gebruiken om de initiële stroom te verwerken wanneer de verwarming is ingeschakeld.

Tabel 1. Elektrische specificaties

Model	MANHATTAN 3000
Spanning	220 – 240V
Nominaal Vermogen	3000 W
Stroom	12.5-13.7 A
Frequentie	50 Hz
Kleur kabel	Bruin, Blau, Geel/Groen

De montagepositie van de unit moet ervoor zorgen dat mechanische schade aan de soepele kabel onwaarschijnlijk is. Overtollige kabels moeten worden vastgemaakt en mogen geen hete delen van de heater raken of zich in de verwarmde zone ervan bevinden. Let op dat de kabel niet als leiding voor water in de wartel aan de achterzijde van de heater dient.

Kleurcoderingen gebruikt in de meegeleverde voedingskabel:

BRUINE draad moet worden aangesloten op FASE ('L'), de BLAUWE draad op NUL ('N') en de GROEN / GEEL draad op AARDE ('E').

MONTAGEPOSITIE:

De Herschel MANHATTAN is een middengolf-infraroodstraler met een sterke warmtestraal die geschikt is voor gebruik in koudere zones of ruimtes die onderhevig kunnen zijn aan lichte wind, waarbij de effectiviteit van de verwarming behouden blijft. Bij outdoor gebruik of in andere zones met luchtbeweging / wind, kan de directionele infraroodspreiding met 1/3 tot 1/2 van gepubliceerde cijfers afnemen. Zorg ervoor dat bij uw installatie de afstanden tot de dichtstbijzijnde wand of plafond zoals afgebeeld aangehouden worden:

Bij alle installaties moet de Herschel MANHATTAN in een zodanige positie worden geplaatst dat correct en efficiënt gebruik zonder dat hete onderdelen per ongeluk aangeraakt worden, mogelijk maakt. De minimale installatiehoogte van de MANHATTAN boven de vloer is 1,8 m (71 "). De unit mag in geen geval op minder dan 1,8 m (71 ") van de vloer worden geïnstalleerd. Eventuele tijdelijke of incidentele constructies zoals podia of platforms moeten in overweging worden genomen en dienovereenkomstig worden aangepast.

BEHANDELING TIJDENS DE INSTALLATIE:

Wees voorzichtig bij het installeren om te voorkomen dat u de rooster en de zilveren rand aan de voorkant van de heater aanraakt. Zorg ervoor dat u vingerafdrukken van deze onderdelen wegveegt voordat het toestel voor het eerst wordt ingeschakeld, aangezien de oliën in vingerafdrukken kunnen verbranden en een snelle verkleuring van deze onderdelen kunnen veroorzaken.



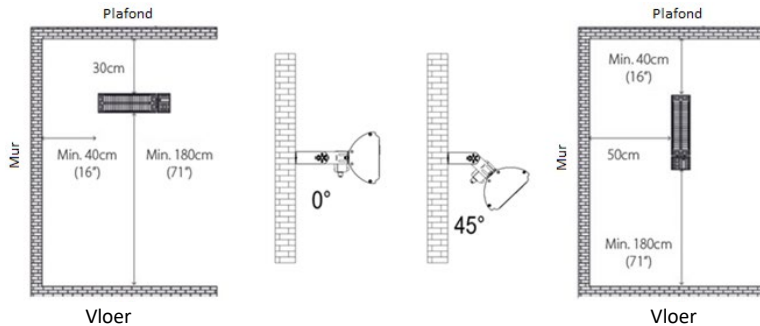
OPGELET:

- Zorg ervoor dat de netvoeding is UITgeschakeld voordat u met de installatie begint.
- De meegeleverde voedingskabel mag tijdens werking geen contact maken met het bovenoppervlak van de heater.
- De verwarming mag zich niet direct boven of onder een stopcontact bevinden. Elektrische aansluitingen dienen buiten de footprint van het toestel te gebeuren om een accumulatie van warmte te vermijden.
- Balken en spanten mogen niet worden gesneden of gekerfd om het apparaat te installeren.
- Deze heater is niet bedoeld voor installatie in een plafonduitsparing.
- Het identificatielabel en de modelreferentie moeten na installatie zichtbaar zijn.

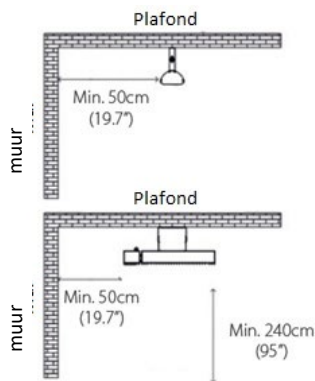
NEDERLANDS

- De vaste bedrading die in aanraking komt met onderdelen met een temperatuur van meer dan 50 °C moet worden beschermd door bijvoorbeeld ommantelingen met een geschikte temperatuurclassificatie.
- Zorg ervoor dat kabels goed vastzitten zodat kleine kinderen er niet aan kunnen trekken.
-

INSTALLATIE



Afbeelding 1
Installatie
hardware en
positionering

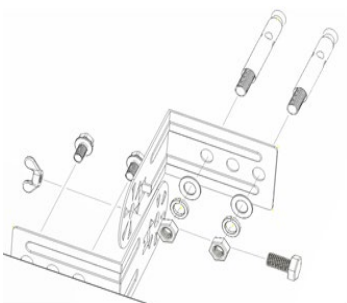


Befestigungsmaterial und Positionierung

Die minimale Montagehöhe des MANHATTAN über dem Boden beträgt 2,4 m (95") bei Montage an der Decke. Eventuelle temporäre oder gelegentliche Konstruktionen wie Bühnen oder Podeste sind zu berücksichtigen. Formen und entsprechend anpassen Halten Sie Kabel und andere elektrische Verbindungen fern der Standfläche der Heizung. Bei allen Installationen muss sich der MANHATTAN in einer Position befinden, die einen korrekten und

INSTALLATIE

Afbeelding 3: Beugelmontage



Bevestigingsmateriaal omvat:

- 4 x beugelstukken - passen in elkaar om 2 beugels te vormen met een centraal draaipunt. Het uitstekende mes op elke beugel past over het ronde uiteinde van de tegenoverliggende beugel om de juiste draaihoek te garanderen.
- 4 x M6x60 metselwerk spreidankers (voor bevestiging van de consoles aan de muur).
- 2 x kleine schroeven om de beugels aan de achterkant van de kachel te bevestigen.
- 2 x kleine schroeven en vleugelmoeren (om het draaipunt op de beugels te vormen).

NEDERLANDS

Gebruik de beugels als sjabloon om 4 x 8 mm gaten in de muur te markeren en te boren. Steek de pluggen in de muur en installeer de beugels, ringen, veerringen en moeren over de blootliggende draadeinden. Als u de moeren aandraait, wordt het uiteinde van de connector gedwongen uit te zetten in de muur en vormt een veilige bevestiging voor de verwarming.

Bevestig de tegenoverliggende beugel aan de achterkant van de kachel voordat u de schroef en moer voor elk scharnier plaatst en vastdraait.

HANTERING TIJDENS DE INSTALLATIE:

Zorg er bij het installeren voor dat u de grill aan de voorkant van de kachel niet aanraakt. Voordat u de kachel voor de eerste keer inschakelt, moet u ervoor zorgen dat u alle vingerafdrukken van de kachel veegt, omdat de oliën in de vingerafdrukken snel kunnen verbranden en bepaalde onderdelen kunnen verkleuren.



VOORZICHTIGHEID:

- Zorg ervoor dat de netvoeding is uitgeschakeld en het apparaat is afgekoeld voordat u met de installatie begint.
- Het meegeleverde netsnoer mag tijdens het gebruik de bovenkant van de kachel niet raken.
- De verwarming mag niet direct boven of onder een stopcontact worden geplaatst. Elektrische aansluitingen moeten buiten het oppervlak van het apparaat worden gemaakt om warmteontwikkeling in de aansluiting te voorkomen.
- Snijd of kerf geen balken, balken of spanten om de apparatuur te installeren.
- Deze kachel is niet bedoeld voor inbouwmontage.
- Het identificatiemerk en de modelnaam moeten na installatie zichtbaar zijn.
- De isolatie van de vaste bedrading die onderdelen raakt met een temperatuurstijging van meer dan 50°C moet worden beschermd, b.v. B. door een slang met een bijbehorende temperatuurklasse.
- Zorg ervoor dat de draden stevig vastzitten en niet door jonge kinderen kunnen worden getrokken.

EERSTE GEBRUIK:

De aan / uit-schakelaar aan de zijkant van de MANHATTAN heeft 3 standen:

- Stand O (uit)
- Stand I (bypass afstandsbediening)
- Stand II (afstandsbediening).



LET OP: tijdens het uitpakken en installeren kan de aan / uit-schakelaar onbedoeld in stand I (bypass afstandsbediening) worden geschakeld. Om brandwonden te voorkomen, moet u ervoor zorgen dat de aan / uit-schakelaar in de UIT-stand staat (gemarkeerd met O op de schakelaar) voordat u de netvoeding inschakelt.

Stand I. Om de afstandsbediening te overbruggen, zet u de schakelaar op de verwarming in stand I. Wanneer de schakelaar in deze stand staat, wordt de verwarming afhankelijk van wel of geen spanning in- of uitgeschakeld. De afstandsbediening regelt de verwarming niet wanneer de schakelaar in stand I staat. Gebruik dit waar u de verwarming rechtstreeks op een schakelapparaat zoals een drukknop timer of thermostaat wil aansluiten.

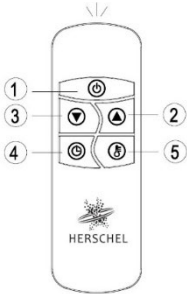
Stand II. Om de heater met de afstandsbediening te kunnen gebruiken moet de schakelaar van de verwarming in stand II staan. Plaats 2 x AAA-alkalinebatterijen in de afstandsbediening.

De afstandsbediening regelt de verwarming op afstand aan of uit, met instelbaar verwarmingsniveau en timer zoals hieronder beschreven. Alle Herschel afstandsbedieningen hebben dezelfde frequentie, waardoor het mogelijk is om meerdere heaters met slechts één afstandsbediening te regelen.

Er kan geur of damp uit de heater komen bij het eerste gebruik of als deze langere tijd niet is gebruikt. Dit is normaal.

GEbruIK MET AFSTANDSBEDIENING:

De heater kan met de meegeleverde afstandsbediening geregeld worden.



Functies afstandbediening			
Knop	Functie (Heater aan)	Functie (Heater uit)	LEDDisplayop Heater
1	zet heater aan of uit		
2	Verhoogt verwarmingsniveau of aantal uren timer	Zet heater op niveau 1 (Minimum)	L1 50%
3	Verlaagt verwarmingsniveau of aantal uren timer	Zet heater op niveau 2 (Maximum)	L2 100%
4	Past verwarmingsniveau aan		L [n]
5	Past aantal uren timer aan	0 - 24	[0H] - [24H]

UITGEBREID GEbruIK:

Na verloop van tijd kan de rooster verkleuren door hoge temperaturen, luchtverontreinigingen en vingerafdrukken.

Verkleuring heeft geen invloed op de prestaties of veiligheid van de heater en is geen voorwaarde voor vervanging onder garantie.

ONDERHOUD DOOR DE GEbruIKER:

Vermijd om de rooster aan de voorzijde van het toestel aan te raken en verwijder zeker vingerafdrukken op deze onderdelen. Vermijd om een koude lamp met uw vingers aan te raken. Verwijder altijd vingerafdrukken indien U de lamp per ongeluk aanraakt. Resten van vingerafdrukken kunnen hot spots op het lampoppervlak veroorzaken en de levensduur van de lamp verkorten. De heater kan worden afgeveegd met een zachte, vochtige doek. Gebruik geen schurende schoonmaakmiddelen om het apparaat schoon te maken. Gebruik GEEN alcohol, benzine, schuurmiddelen, meubelpoets of ruwe borstels om de MANHATTAN schoon te maken. Dit zal het oppervlak van de heater aantasten.

Het vervangen van de lamp mag alleen door voldoende gekwalificeerd personeel worden uitgevoerd.

VERWIJDERING:

Deze heater is een elektrisch product en mag niet als huishoudelijk afval worden afgevoerd. Een hoog percentage van de heater is recyclebaar. Behandel het als elektrisch afval en recycle het in overeenstemming met de lokale regelgeving.

GARANTIE:

Registreer uw product hier <https://www.herschel-infrarood.nl/klantenservice/garantie-registratie/> of via de QR-code.

NEDERLANDS

De Herschel MANHATTAN garantie is geldig voor storingen als gevolg van defecte materialen of gebrekking vakmanschap gedurende 24 maanden vanaf de datum van aankoop exclusief de lamp en afstandsbediening. In het onwaarschijnlijke geval dat het apparaat binnen deze tijd defect raakt, moet het apparaat voor reparatie of vervanging aan de leverancier worden geretourneerd. De garantie is ongeldig als de juiste installatie-instructies zoals vermeld in deze handleiding niet werden nageleefd

Raadpleeg het garantiebeleid van Herschel Infrared Ltd voor alle details. Zie <https://www.herschel-infrarood.nl/>

Noteer hier uw serienummer voor toekomstige referentie.

TECHNISCHE INFORMATIE:

Nominaal vermogen:	3000W bij 220-240V
Vermogensinstellingen:	1500W / 3000W met afstandsbediening. 3000 W in remote bypass modus
Verwarmingselement:	2 x Low glare halogeenlampen
Reflector:	Mirror Aluminium (98% reflectie voorkomt achterwaarts warmteverlies)
Dimensies:	104.5 x 15 x 8.5cm
Montagepositie:	Wand of plafond
Opwarmtijd:	2 seconden
Nuttig golflengtebereik:	0.8µm
Gewicht:	4.2kg
Garantie:	2 jaar (exclusief lamp en afstandsbediening)
Beschermingsklasse:	IP54
Afstandsbediening:	24 uur timer, instelling op half vermogen. 2 x AAA batterijen

ELEKTRISCHE TOESTELLEN:



Afgedankte elektrische toestellen horen niet bij het huisvuil. Recycle a.u.b. waar faciliteiten aanwezig zijn.



BELANGRIJKE MEDEDELING VOOR DE KOPER:

Voordat u het product gaat gebruiken, moet u de geschiktheid van het product voor het beoogde gebruik bepalen. HERSCHEL INFRARED LTD wijst uitdrukkelijk de impliciete garanties en voorwaarden van verkoopbaarheid en geschiktheid voor een bepaald doel af. HERSCHEL INFRARED LTD is in geen geval op basis van enige juridische grondslag, inclusief maar niet beperkt tot contractuele of strikte aansprakelijkheid, verantwoordelijk voor enige directe-, indirecte-, speciale-, incidentele- of gevolgschade door het gebruik van het product.

IMPORTANTI PRECAUZIONI DI SICUREZZA

LEGGERE ATTENTAMENTE QUESTE ISTRUZIONI E CONSERVARLE PER FUTURO RIFERIMENTO.

La mancata osservanza di queste istruzioni invaliderà la garanzia. Nessuna responsabilità può essere accettata per eventuali danni causati dal mancato rispetto di queste istruzioni o per uso improprio o cattiva gestione.

Questa unità può essere una fonte di possibile shock.

Non smontare. Nessuna parte riparabile dall'utente all'interno.

Fonte di possibile accensione.



AVVERTIMENTO

PER RIDURRE IL RISCHIO DI INCENDIO, SCOSSE ELETTRICHE O LESIONI:

1. Rimuovere l'unità dalla confezione e controllarla per assicurarsi che sia in buone condizioni prima di installarla e metterla in funzione.
2. Invia l'imballaggio da riciclare. **NON** lasciare che i bambini giochino con sacchetti di plastica o altre parti della confezione.
3. **ATTENZIONE:** rischio di scosse elettriche
4. Questo apparecchio deve essere scollegato dalla sua fonte di alimentazione durante l'installazione o le attività di assistenza e durante la sostituzione.
5. **NON** utilizzare questo riscaldatore nelle immediate vicinanze di un bagno, doccia o piscina o vasca idromassaggio dove potrebbe cadere in un contenitore pieno d'acqua.
6. Interruttori e altri comandi non devono essere alla portata di una persona in vasca, piscina, vasca idromassaggio o doccia.
7. **NON** toccare questo riscaldatore o i suoi comandi con le mani bagnate.
8. **NON** permettere che i cavi di alimentazione vengano immersi in acqua o altri liquidi.
9. **NON** aprire o tentare di riparare da soli il riscaldatore. La manutenzione deve essere eseguita solo da personale qualificato.
10. Per evitare il surriscaldamento e il potenziale rischio di incendio, **NON** coprire in nessun caso il riscaldatore. Se il riscaldatore dovesse accidentalmente venire coperto durante il funzionamento, spegnerlo immediatamente e rimuovere eventuali corpi estranei che hanno coperto il riscaldatore o si sono depositati nella griglia.
11. L'unità deve essere installata con una distanza minima di 1800 mm (71") dal pavimento e 300 mm (12") nella parte superiore e 400 mm (16") ai lati del riscaldatore.
12. **NON** toccare il riscaldatore quando è in uso. Parti del riscaldatore possono superare i 200°C / 392°F durante il funzionamento. Il contatto con il riscaldatore durante il funzionamento può causare gravi ustioni. Non toccare il riscaldatore durante o per 10 minuti dopo il funzionamento.
13. **NON** utilizzare il riscaldatore se il cavo di alimentazione è danneggiato. Questo deve essere sostituito dal produttore, dal suo agente di servizio o da persone similmente qualificate per evitare pericoli.
14. **NON** utilizzare il riscaldatore per accendere materiali. **NON** operare in luoghi contenenti benzina, liquidi infiammabili o altre sostanze volatili.
15. **NON** installare questo riscaldatore vicino o rivolto verso oggetti infiammabili entro 1 metro o dove tende, asciugamani o altri oggetti infiammabili possono essere soffiati sul riscaldatore.



Traduzione delle istruzioni originali per i radiatori Manhattan 3000
Watt prodotti dal 122019. Certificato SAA SAA-202327-EA



16. Questo riscaldatore deve essere utilizzato esclusivamente per il riscaldamento di persone all'aperto o al chiuso in uno spazio non chiuso. Il MANHATTAN non deve essere utilizzato da bambini o persone con ridotte capacità fisiche, sensoriali o mentali, o prive di esperienza o conoscenza, indipendentemente dal fatto che abbiano ricevuto istruzioni o siano sotto supervisione. I bambini devono essere tenuti lontani e non devono essere lasciati incustoditi intorno all'unità.
17. Tutti gli operatori devono accendere/spegnere l'apparecchio solo a condizione che sia stato collocato o installato nella sua normale posizione di funzionamento prevista e che siano stati supervisionati o istruiti sull'uso dell'apparecchio in modo sicuro e comprendano i rischi coinvolti. I bambini non devono collegare, accendere o regolare l'apparecchio o eseguire la manutenzione dell'utente, inclusa la pulizia.
18. **NON** lasciare il riscaldatore in funzione incustodito.
19. **NON** mettere MAI le mani sotto l'elemento riscaldante durante il funzionamento.
20. **IMPORTANTE:** assicurarsi che la tensione di alimentazione non superi i 245 Volt.

CONSERVA QUESTE ISTRUZIONI.

PROTEZIONE DALL'INGRESSO D'ACQUA:

Herschel MANHATTAN è classificato secondo uno standard IP54. Adatto per uso esterno.

L'installazione in aree come bagni esterni, piscine o aree idromassaggio deve essere eseguita da un installatore adeguatamente qualificato e rispettare i requisiti di sicurezza elettrica locali.

In caso di dubbio, non installare. Herschel Infrared Ltd non sarà responsabile per eventuali perdite, danni o lesioni causati o risultanti da un montaggio inadeguato o da un posizionamento errato dei riscaldatori vicino a fonti d'acqua.

INFORMAZIONI ELETTRICHE:

L'Herschel MANHATTAN può essere collegato a una presa impermeabile. Qualsiasi cavo di prolunga utilizzato deve avere una capacità sufficiente per trasportare la corrente richiesta dal riscaldatore come mostrato nella Tabella 1. Tutte le spine, le prese e gli interruttori destinati all'uso all'aperto devono avere un'adeguata protezione dall'ingresso di acqua.

In alternativa è possibile rimuovere la spina e collegare l'unità al cablaggio di rete fisso. Gli impianti di cablaggio fisso devono essere eseguiti solo da persone competenti o da un elettricista qualificato secondo le normative nazionali e l'unità deve essere collegata a terra. L'alimentazione elettrica dell'unità deve essere fornita collegandosi a un dispositivo di protezione della corrente adatto alla potenza elettrica dell'unità secondo la tabella 1 e prevedendo la disconnessione in entrambi i poli. Tutti i cablaggi fissi devono avere una capacità sufficiente per trasportare la corrente richiesta dal riscaldatore.

Scollegare sempre il riscaldatore dall'alimentazione quando non è in uso.

Herschel consiglia di utilizzare un interruttore di tipo C per gestire la corrente iniziale quando il riscaldatore è acceso.

Tabella 1. Specifiche elettriche

Modello	MANHATTAN 3000
Voltaggio	220 – 240V
Potenza nominale	3000 Watt
attuale	12,5-13,7 Ampere
interruttore	Tipo C consigliato
Frequenza	50 Hz
Colore del cavo	Marrone, Blu, Giallo/Verde

La posizione di montaggio dell'unità deve garantire che qualsiasi danno meccanico al cavo flessibile sia improbabile. Il cavo in eccesso deve essere fissato e non deve toccare le parti calde del riscaldatore e non deve invadere l'area riscaldata. Non lasciare che il cavo funga da condotto per l'acqua nel pressacavo sul retro del riscaldatore.

Codifica a colori utilizzata nel cavo di alimentazione in dotazione:

Il filo MARRONE deve essere collegato a LIVE ('L'), il filo BLU al NEUTRO ('N') e il filo VERDE/GIALLO a TERRA ('E').

POSIZIONE DI MONTAGGIO:

Herschel MANHATTAN è un riscaldatore a infrarossi a onde media caratterizzato da un forte raggio di calore adatto per l'uso in aree più fredde o che possono essere soggette a venti leggeri, pur mantenendo l'efficacia del riscaldamento. Quando viene utilizzato all'aperto o in altre aree con movimento d'aria/vento, la diffusione dell'infrarosso direzionale può ridursi da 1/3 a 1/2 rispetto alle cifre pubblicate.

Assicurarsi che le distanze siano mantenute dalla parete o dal soffitto più vicini in base all'installazione, come mostrato:

Per tutte le installazioni, il MANHATTAN deve essere posizionato in una posizione tale da consentirne un uso corretto ed efficiente ma che garantisca che le parti calde non vengano toccate accidentalmente. L'altezza minima di installazione del MANHATTAN dal pavimento è di 1,8 m (71") se montato a parete e di 2,4 m (95") se montato a soffitto. In nessun caso l'unità deve essere installata a meno di 1,8 m (71") dal pavimento. Dovrebbe essere presa in considerazione qualsiasi struttura temporanea o occasionale come palchi o piattaforme e adattata di conseguenza.

MOVIMENTAZIONE DURANTE L'INSTALLAZIONE:

Fare attenzione durante l'installazione per evitare di toccare la griglia sulla parte anteriore del riscaldatore. Assicurarsi di eliminare eventuali impronte di dita dal riscaldatore prima di accenderlo per la prima volta, poiché gli oli contenuti nelle impronte digitali possono bruciare e causare un rapido scolorimento di alcune parti.



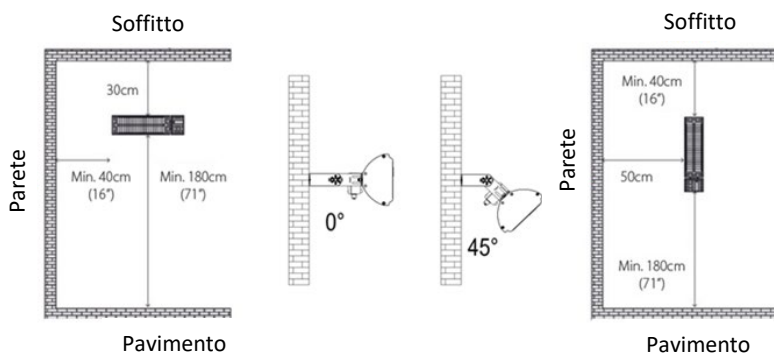
ATTENZIONE:

- Assicurarsi che l'alimentazione di rete sia DISATTIVATA e che l'unità sia fredda prima di iniziare l'installazione.
- Il cavo di rete in dotazione non deve entrare in contatto con la superficie superiore del riscaldatore durante il funzionamento.

- Il riscaldatore non deve essere posizionato immediatamente sopra o sotto una presa di corrente. I collegamenti elettrici devono essere effettuati al di fuori dell'ingombro dell'unità per evitare l'accumulo di calore nel collegamento.
- Non devono essere tagliati o intagliati travetti, travi e tralicelli per installare l'apparecchio.
- Questo riscaldatore non è destinato all'installazione ad incasso.
- Il marchio di identificazione e il riferimento del modello dovrebbero essere visibili dopo l'installazione.
- L'isolamento del cablaggio fisso che venga a contatto con parti con sovratemperatura superiore a 50°C deve essere protetto, ad esempio, mediante guaina di adeguata temperatura nominale.
- Assicurarsi che i cavi siano fissati correttamente e che non possano essere tirati da bambini piccoli.

INSTALLAZIONE

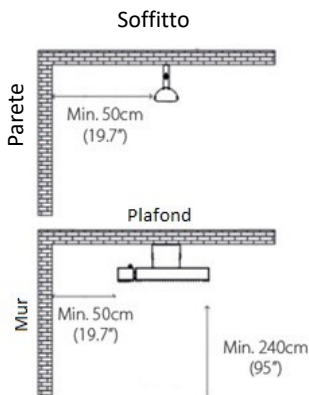
Schema 1: Montaggio a parete, orizzontale o verticale



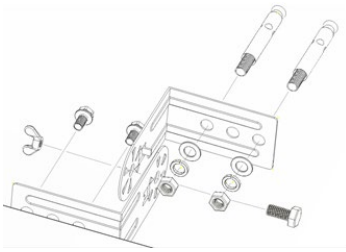
MANHATTAN può essere montato a parete orizzontalmente o verticalmente e può essere regolato per proiettare verso l'esterno o con un angolo di 45°.

L'altezza minima di installazione del MANHATTAN dal pavimento è di 1,8 m (71") se montato a parete.

Schema 2 – Montaggio a soffitto



L'altezza minima di installazione del MANHATTAN dal pavimento è di 2,4 m (95") quando installato sul soffitto. Prestare attenzione a eventuali strutture temporanee o accidentali come podi o podi. Progettare e adattare di conseguenza. Tenere cavi e altri collegamenti elettrici lontani dal site. In tutte le installazioni, il MANHATTAN deve trovarsi in una posizione che ne garantisca un uso corretto ed efficiente ma che garantisca che le parti calde non vengano toccate accidentalmente.

Il materiale di fissaggio include:

- 4 pezzi di staffa - si uniscono per formare 2 staffe con un perno centrale. La lama sporgente su ciascuna staffa si inserisce sull'estremità arrotondata della staffa opposta per garantire il corretto angolo di rotazione.
- 4 tasselli ad espansione per muratura M6x60 (per il fissaggio delle mensole al muro).
- 2 x viti piccole per fissare le staffe al retro della stufa.
- 2 x viti piccole e dadi ad alette (per formare il punto di articolazione sulle staffe).

Utilizzare le staffe come modello per contrassegnare e praticare fori 4 x 8 mm nel muro. Inserire i tasselli nel muro e installare le staffe, le rondelle, le rondelle elastiche e i dadi sui perni esposti. Il serraggio dei dadi costringe l'estremità del connettore ad espandersi nella parete, fornendo un fissaggio sicuro per il riscaldatore.

Fissare la staffa opposta al retro della stufa prima di inserire e serrare la vite e il dado per ogni cerniera.

MOVIMENTAZIONE DURANTE L'INSTALLAZIONE:

Durante l'installazione, fare attenzione a non toccare la griglia sulla parte anteriore della stufa. Prima di accendere il fornello per la prima volta, assicurarsi di eliminare tutte le impronte digitali dal fornello, poiché gli oli nelle impronte digitali possono bruciare rapidamente e scolorire alcune parti.

**ATTENZIONE:**

- Assicurarsi che l'alimentazione di rete sia spenta e che il dispositivo si sia raffreddato prima di iniziare l'installazione.
- Il cavo di alimentazione in dotazione non deve toccare la parte superiore della stufa durante l'uso.
- Il riscaldatore non deve essere posizionato direttamente sopra o sotto una presa. I collegamenti elettrici devono essere effettuati all'esterno della superficie dell'apparecchio per evitare l'accumulo di calore nel collegamento.
- Non tagliare o incidere travi, travi o tralicci per installare l'apparecchiatura.
- Questa stufa non è prevista per il montaggio a filo.
- Il marchio di identificazione e il nome del modello devono essere visibili dopo l'installazione.
- L'isolamento del cablaggio fisso che tocca parti con sovratemperatura superiore a 50°C deve essere protetto, ad es. B. attraverso un tubo con una classe di temperatura associata.
- Assicurarsi che i cavi siano sicuri e che non possano essere tirati da bambini piccoli.

UTILIZZO INIZIALE:

L'interruttore di alimentazione sul lato del MANHATTAN ha 3 posizioni:

- Posizione O (Spento)
- Posizione I (bypass remoto)
- Posizione II (Telecomando).

**ATTENZIONE:**

L'interruttore di alimentazione può passare involontariamente alla posizione I (bypass remoto) durante il disimballaggio e l'installazione. Per evitare qualsiasi possibilità di ustione, assicurarsi che l'interruttore di

alimentazione sia in posizione OFF (contrassegnato con O sull'interruttore) prima di accendere l'alimentazione.

Posizione I. Per escludere il telecomando, portare l'interruttore del riscaldatore in posizione I. Quando l'interruttore è in questa posizione, il riscaldatore si accenderà o si spegnerà a seconda che sia alimentato. L'unità di controllo remoto non controllerà il riscaldatore quando l'interruttore è in posizione I. Utilizzare questo quando si desidera collegare il riscaldatore a un dispositivo di commutazione come un timer a pulsante o un termostato.

Posizione II. Per utilizzare il riscaldatore con il telecomando, assicurarsi che l'interruttore del riscaldatore sia in posizione II.

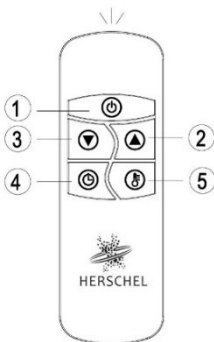
Inserire 2 batterie alcaline AAA nel telecomando.

Il telecomando attiva o disattiva il riscaldatore a distanza con il livello di riscaldamento regolabile e il timer descritti di seguito. Tutti i telecomandi Herschel hanno la stessa frequenza, quindi è possibile controllare più riscaldatori con un solo telecomando.

Potrebbero esserci odori o vapori dal riscaldatore al primo utilizzo o se non è stato utilizzato per un lungo periodo. E' normale.

FUNZIONAMENTO DA TELECOMANDO:

Il riscaldatore può essere azionato dal telecomando in dotazione.



Funzione di controllo remoto			
Pulsante	Funzione (riscaldamento acceso)	Funzione (riscaldatore spento)	Display a LED sul riscaldatore
1	Accende o spegne il riscaldamento		
2	Aumenta il livello di calore o le ore del timer	Turns heater on to Level 1 (minimum)	L1 50%
3	Diminuire il livello di calore o le ore del timer	Turns heater on to Level 2(Maximum)	L2 100%
4	Abilita la regolazione del timer	0 - 24	[0H] - [24H]
5	Abilita la regolazione del livello di calore		L [n]

UTILIZZO ESTESO:

Nel tempo la griglia può scolorire a causa delle alte temperature, dei contaminanti presenti nell'aria e delle impronte digitali.

Lo scolorimento non influirà sulle prestazioni o sulla sicurezza del riscaldatore e non è una condizione per la sostituzione in garanzia.

MANUTENZIONE UTENTE:

Evitare di toccare la griglia anteriore sulla parte anteriore del riscaldatore e assicurarsi di rimuovere le impronte digitali da queste parti.

Evita di toccare una lampada fredda con le dita. Eliminare sempre le impronte delle dita se si tocca accidentalmente la lampada. I residui delle impronte digitali possono causare punti caldi sulla superficie della lampada e ridurre la durata della lampada.

Il riscaldatore può essere pulito con un panno morbido inumidito. Non utilizzare detergenti abrasivi per pulire l'unità. NON utilizzare alcol, benzina, detergenti abrasivi, lucidanti per mobili o spazzole ruvide per pulire il MANHATTAN. Ciò causerà il deterioramento della superficie del riscaldatore.

La sostituzione della lampada deve essere effettuata solo da personale adeguatamente qualificato.

DISPOSIZIONE:

Questo riscaldatore è un prodotto elettrico e non deve essere smaltito con i rifiuti domestici. Un'alta percentuale del riscaldatore può essere riciclata. Si prega di trattare come rifiuti elettrici e riciclare in conformità con le normative locali.

GARANZIA:

Registra qui il tuo prodotto:

<https://www.herschel-infrarossi.it/assistenza-clienti/registrazione-della-garanzia/> Herschel MANHATTAN è garantito contro guasti dovuti a difetti di materiale o lavorazione per cinque anni dalla data di acquisto, esclusi gli Elementi in Ceramica (12 mesi di garanzia). Nell'improbabile caso di guasto dell'unità entro questo tempo, l'unità deve essere restituita al fornitore per la riparazione o la sostituzione. La garanzia non è valida se non sono state rispettate le corrette istruzioni di installazione riportate in questo foglio. Fare riferimento alla politica di garanzia di Herschel Infrared Ltd per tutti i dettagli (esclude il telecomando). Vedi <https://www.herschel-infrarossi.it/>

Annotare il numero di serie per riferimento futuro:

INFORMAZIONI TECNICHE:

Potenza nominale:	3000W a 220-240V
Impostazioni di alimentazione:	1500W / 3000W con telecomando. 3000W in modalità by-pass remoto
Termosifone:	2 lampade riscaldanti premium a basso abbagliamento da 1,5 kW
Riflettore:	Specchio in alluminio (riflessione del 98% che impedisce la perdita di calore all'indietro)
Dimensioni:	104,5 x 15 x 8,5 cm
Posizione di montaggio:	Parete o soffitto
Tempo di riscaldamento:	2 secondi
Lunghezza d'onda di picco:	0.8µm
Peso:	4.2kg
Garanzia:	2 anni (escluso lampada e telecomando)
Protezione:	IP54
A distanza:	Timer 24 ore, impostazione dimezzata. 2 batterie AAA

MATERIALE ELETTRICO:



I prodotti elettrici di scarto non devono essere smaltiti con i rifiuti domestici. Si prega di riciclare dove esistono strutture.



AVVISO IMPORTANTE PER L'ACQUIRENTE:

Prima di utilizzare il prodotto, è necessario determinarne l'idoneità all'uso previsto. HERSCHEL INFRARED LTD esclude espressamente garanzie e condizioni implicite di commerciabilità e idoneità per uno scopo particolare. In nessun caso HERSCHEL INFRARED LTD sarà ritenuta responsabile in base a qualsiasi teoria legale, incluso ma non limitato alla responsabilità contrattuale o oggettiva, per eventuali danni diretti, indiretti speciali, incidentali o consequenziali derivanti dall'uso del prodott

PRECAUCIONES DE SEGURIDAD IMPORTANTES

LEA ESTAS INSTRUCCIONES DETENIDAMENTE Y GUARDE PARA FUTURAS CONSULTAS.

El incumplimiento de estas instrucciones invalidará la garantía. No se aceptará ninguna responsabilidad por los daños causados por el incumplimiento de estas instrucciones o por un uso inadecuado o un mal manejo. Esta unidad puede ser una fuente de posibles descargas.

No desarmar. No hay piezas en el interior que puedan ser reparadas por el usuario.

Fuente de posible ignición.



ADVERTENCIA

PARA REDUCIR EL RIESGO DE INCENDIO, DESCARGA ELÉCTRICA O LESIONES:

1. Saque la unidad de su embalaje y verifique que esté en buenas condiciones antes de instalarla y ponerla en funcionamiento.
2. Envíe el embalaje para su reciclaje. NO permita que los niños jueguen con bolsas de plástico u otras partes del embalaje.
3. **PRECAUCIÓN:** Riesgo de descarga eléctrica
 - A. Este aparato debe desconectarse de su fuente de alimentación durante las actividades de instalación o servicio y al reemplazarlo.
 - B. **NO** use este calentador en las inmediaciones de un baño, ducha o piscina o jacuzzi donde podría caer en un recipiente lleno de agua.
 - C. Los interruptores y otros controles no deben estar al alcance de una persona en un baño, piscina, jacuzzi o ducha.
 - D. **NO** toque este calentador o sus controles con las manos mojadas.
 - E. **NO** permita que los cables de alimentación se sumerjan en agua u otro líquido.
 - F. **NO** abra ni intente reparar el calentador usted mismo. El servicio debe ser realizado únicamente por personal calificado.
4. Para evitar el sobrecalentamiento y el riesgo potencial de incendio, **NO** cubra el calentador bajo ninguna circunstancia. Si el calentador se cubre accidentalmente durante el funcionamiento, apáguelo inmediatamente y retire cualquier objeto extraño que haya cubierto el calentador o se haya alojado en la parrilla.
5. La unidad debe instalarse con un espacio mínimo de 1800 mm (71 ") al piso y 300 mm (12") en la parte superior y 400 mm (16 ") a los lados del calentador.
6. **NO** toque el calentador cuando esté en uso. Algunas partes del calentador pueden exceder los 200 ° C / 392 ° F durante el funcionamiento. El contacto con el calentador durante el funcionamiento puede causar quemaduras graves. No toque el calentador durante o durante 10 minutos después del funcionamiento.
7. **NO** use el calentador si el cable de alimentación está dañado. Esto debe ser reemplazado por el fabricante, su agente de servicio o personas calificadas de manera similar para evitar un peligro.
8. **NO** use el calentador para encender materiales. **NO** opere en lugares que contengan gasolina, líquidos inflamables u otras sustancias volátiles.



Traducción de las instrucciones originales de los radiadores Manhattan de 3000 vatios producidos a partir de 122019. Certificado SAA SAA-202327-EA



9. **NO** instale este calentador cerca o apuntando hacia objetos inflamables a menos de 1 metro o donde cortinas, toallas u otros artículos inflamables puedan soplar sobre el calentador.
10. Este calentador solo debe usarse para calentar personas al aire libre o en interiores en un espacio no cerrado. El MANHATTAN no debe ser utilizado por niños o personas con capacidades físicas, sensoriales o mentales reducidas, o con falta de experiencia o conocimiento, independientemente de que hayan recibido instrucción o estén bajo supervisión. Los niños deben mantenerse alejados y no deben dejarse sin supervisión alrededor de la unidad.
11. Todos los operadores solo deben encender / apagar el artefacto siempre que haya sido colocado o instalado en su posición de funcionamiento normal prevista y hayan recibido supervisión o instrucción sobre el uso del artefacto de manera segura y comprendan los peligros involucrados. Los niños no deben enchufar, encender o regular el aparato ni realizar el mantenimiento por parte del usuario, incluida la limpieza.
12. **NO** deje el calentador funcionando sin supervisión.
13. **NUNCA** coloque las manos debajo del elemento calefactor durante el funcionamiento.
14. **IMPORTANTE:** Asegúrese de que la tensión de alimentación no supere los 245 voltios.

GUARDA ESTAS INSTRUCCIONES.

PROTECCIÓN CONTRA LA INGRESO DE AGUA:

Herschel MANHATTAN tiene una clasificación de IP54 estándar. Apto para uso en exteriores.

La instalación en áreas como baños al aire libre, piscinas o áreas de jacuzzis debe ser realizada por un instalador debidamente calificado y cumplir con los requisitos locales de seguridad eléctrica.

En caso de duda, no lo instale. Herschel Infrared Ltd no será responsable de ninguna pérdida, daño o lesión causada o resultante de un ajuste inadecuado o una colocación incorrecta de calentadores cerca de fuentes de agua.

INFORMACION ELECTRICA:

El Herschel MANHATTAN se puede enchufar a un enchufe a prueba de agua. Cualquier cable de extensión que se use debe tener la capacidad suficiente para transportar la corriente requerida por el calentador, como se muestra en la Tabla 1. Todos los enchufes, enchufes e interruptores diseñados para uso en exteriores deben tener una protección adecuada contra la entrada de agua.

Alternativamente, se puede quitar el enchufe y conectar la unidad a un cableado de red fijo. Las instalaciones de cableado fijo solo deben ser realizadas por personas competentes o un electricista calificado de acuerdo con las regulaciones nacionales y la unidad debe estar conectada a tierra. El suministro eléctrico a la unidad debe proporcionarse conectándolo a un dispositivo de protección de corriente adecuado para la clasificación eléctrica de la unidad de acuerdo con la Tabla 1 y proporcionando desconexión en ambos polos. Todo el cableado fijo debe tener la capacidad suficiente para transportar la corriente requerida por el calentador.

Siempre desconecte el calentador de la energía cuando no esté en uso.

Herschel recomienda que utilice un disyuntor tipo C para manejar la corriente inicial cuando se enciende el calentador.

Tabla 1. Especificaciones eléctricas

Modelo	MANHATTAN 3000
Voltaje	220 - 240 V
Potencia nominal	3000 vatios
Actual	12,5-13,7 amperios
Interruptor automático	Tipo C recomendado
Frecuencia	50 Hz
Color del cable	Marrón, Azul, Amarillo / Verde

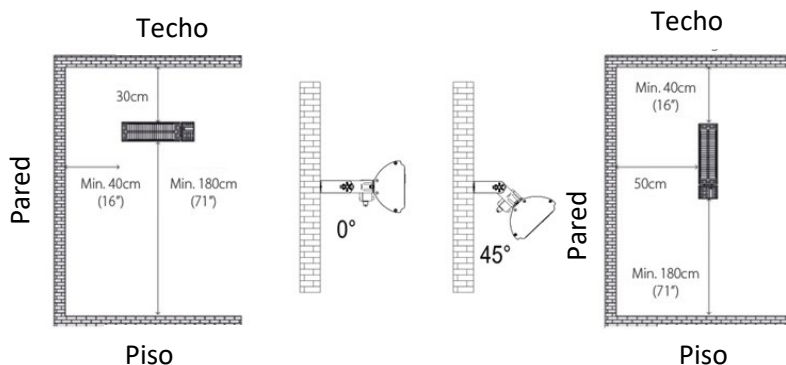
La posición de montaje de la unidad debe garantizar que sea improbable que se produzcan daños mecánicos en el cable flexible. El cable sobrante debe asegurarse y no debe tocar las partes calientes del calentador y no debe invadir el área calentada. No permita que el cable actúe como un conducto para el agua en el prensaestopas en la parte posterior del calentador. Codificación de colores utilizada en el cable de alimentación suministrado: el cable MARRÓN debe conectarse a VIVO ("L"), el cable AZUL a NEUTRO ("N") y el cable VERDE / AMARILLO a TIERRA ("E").

POSICIÓN DE MONTAJE:

El Herschel MANHATTAN es un calentador de infrarrojos de onda media que se caracteriza por un fuerte haz de calor adecuado para su uso en áreas más frías o áreas que pueden estar sujetas a vientos suaves, sin dejar de mantener la eficacia del calentamiento. Cuando se usa al aire libre u otras áreas con movimiento de aire / viento, la propagación de infrarrojos direccional puede reducirse de 1/3 a 1/2 de las cifras publicadas.

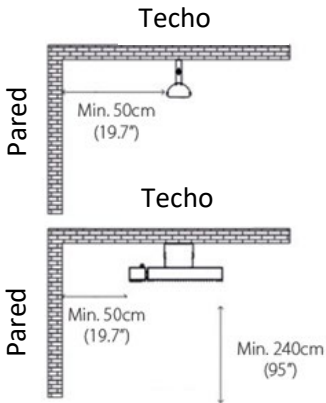
Asegúrese de que las distancias se mantengan desde la pared o el techo más cercano de acuerdo con su instalación, como se muestra:

Diagrama 1: Montaje en pared, horizontal o vertical



MANHATTAN se puede montar en la pared horizontal o verticalmente y se puede ajustar para proyectarse directamente hacia afuera o en un ángulo de 45°. La altura mínima de instalación del MANHATTAN sobre el piso es de 1,8 m (71") cuando se monta en la pared.

Diagrama 2 - Montaje en techo



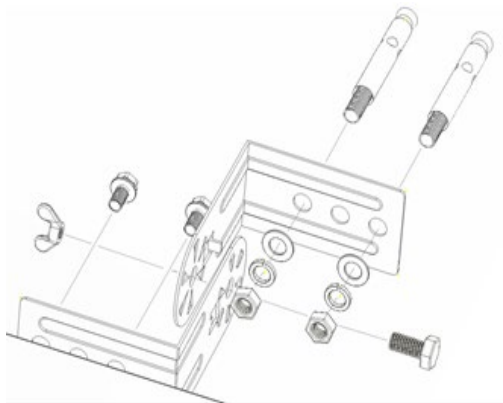
La altura mínima de instalación del MANHATTAN sobre el piso es de 2,4 m (95 ") cuando se monta en el techo.

Se debe tener en cuenta cualquier estructura temporal u ocasional, como escenarios o plataformas, y se debe ajustar en consecuencia. Mantenga el cable y otras conexiones eléctricas fuera del espacio del calentador.

Para todas las instalaciones, el MANHATTAN debe ubicarse en una posición que permita un uso adecuado y eficiente, pero que garantice que las partes calientes no se toquen accidentalmente. La altura mínima de instalación del MANHATTAN sobre el piso es de 2,4 m (95 ") cuando se monta en el techo.

INSTALACIÓN:

Diagrama 3: Montaje del soporte



El hardware de montaje incluye:

- 4 piezas de soporte: encajan juntas para formar 2 soportes con un pivote central. La hoja que sobresale en cada soporte encaja sobre el extremo circular del soporte opuesto para asegurar el ángulo de pivote correcto.
- 4 tornillos de expansión de mampostería M6x60 (para fijar soportes en la pared).
- 2 pernos pequeños para colocar los soportes en la parte trasera del calentador.
- 2 x tornillos pequeños y tuercas de mariposa (para formar el pivote de los soportes).

Usando los soportes como plantilla, marque y taladre agujeros de 4 x 8 mm en la pared. Inserte los tapones en la pared y coloque los soportes, arandelas, arandelas de resorte y tuercas sobre los extremos roscados expuestos. Si aprieta las tuercas, el extremo del enchufe se expandirá en la pared y formará un montaje seguro para el calentador.

Coloque el soporte opuesto en la parte posterior del calentador antes de insertar y apretar el perno y la tuerca de cada bisagra.

MANEJO DURANTE LA INSTALACIÓN:

Tenga cuidado durante la instalación para evitar tocar la parrilla en la parte delantera del calentador. Asegúrese de limpiar las marcas de dedos del calentador antes de encenderlo por primera vez, ya que los aceites de las huellas dactilares pueden quemarse y causar una rápida decoloración de ciertas partes.

**PRECAUCIÓN:**

- Asegúrese de que el suministro eléctrico esté APAGADO y que la unidad esté fría antes de comenzar la instalación.
- El cable de alimentación suministrado no debe tocar la superficie superior del calentador durante el funcionamiento.
- El calefactor no debe ubicarse inmediatamente encima o debajo de una toma de corriente. Las conexiones eléctricas deben realizarse fuera del espacio ocupado por la unidad para evitar la acumulación de calor en la conexión.
- Las vigas, vigas y vigas no se deben cortar ni hacer muescas para instalar el artefacto.
- Este calentador no está diseñado para una instalación empotrada.
- La marca de identificación y la referencia del modelo deben estar visibles después de la instalación.
- El aislamiento del cableado fijo que entra en contacto con piezas con un aumento de temperatura superior a 50 ° C debe protegerse, por ejemplo, mediante manguitos con una clasificación de temperatura adecuada. Ensure that wires are properly secured and cannot be pulled by small children.

USO INICIAL:

El interruptor de encendido en el costado del MANHATTAN tiene 3 posiciones:

- Posición O (Apagado)
- Posición I (derivación remota)
- Posición II (Mando a distancia).

**PRECAUCIÓN:**

El interruptor de encendido puede cambiar involuntariamente a la posición I (derivación remota) durante el desembalaje y la instalación. Para evitar cualquier posibilidad de quemaduras, asegúrese de que el interruptor de encendido esté en la posición de APAGADO (marcado con una O en el interruptor) antes de encender el suministro eléctrico.

Posición I. Para desviar el control remoto, gire el interruptor del calentador a la posición I. Cuando el interruptor esté en esta posición, el calentador se encenderá o apagará dependiendo de si tiene energía. La unidad de control remoto no controlará el calentador cuando el interruptor esté en la posición I. Use esto cuando desee conectar el calentador a un dispositivo de conmutación como un temporizador de botón o un termostato.

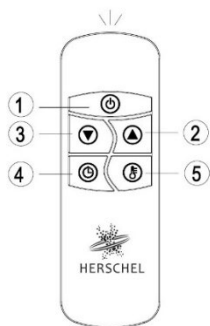
Posición II. Para usar el calentador con el control remoto, asegúrese de que el interruptor del calentador esté en la posición II.

Inserte 2 pilas alcalinas AAA en el control remoto.

El control remoto opera el calentador en forma remota con encendido o apagado con un nivel de calor ajustable y un temporizador que se describen a continuación. Todos los controles remotos de Herschel tienen la misma frecuencia, por lo que es posible controlar varios calentadores con un solo control remoto. Puede haber olor o vapor del calentador en el uso inicial o si no se ha utilizado durante un período prolongado. Esto es normal.

FUNCIONAMIENTO POR CONTROL REMOTO:

El calentador puede operarse desde el control remoto suministrado.



Función de control remoto			
Botón	Función (calentador encendido)	Función (calentador apagado)	Pantalla LED en calentador
1	Enciende o apaga el calentador		
2	Aumente el nivel de calor o Horas del temporizador	Enciende el calentador a Nivel 1 (mínimo)	L1 50%
3	Disminuya el nivel de calor o Horas del temporizador	Enciende el calentador a Nivel 2 (máximo)	L2 100%
4	Habilitar el ajuste del temporizador	0 - 24	[0H] - [24H]
5	Habilitar el nivel de calor ajustamiento		L [n]

USO EXTENDIDO:

Con el tiempo, la parrilla puede decolorarse debido a las altas temperaturas, los contaminantes en el aire y las huellas dactilares.

La decoloración no afectará el rendimiento o la seguridad del calentador y no es una condición para el reemplazo de la garantía.

MANTENIMIENTO DEL USUARIO:

Evite tocar la rejilla frontal en la parte frontal del calentador y asegúrese de limpiar las huellas dactilares de estas partes.

Evite tocar una lámpara fría con los dedos. Limpie siempre las marcas de los dedos si toca accidentalmente la lámpara. Los residuos de huellas dactilares pueden causar puntos calientes en la superficie de la lámpara y acortar su vida útil.

El calentador se puede limpiar con un paño suave húmedo. No utilice detergentes abrasivos para limpiar la unidad. NO use alcohol, gasolina, limpiadores abrasivos, cera para muebles o cepillos ásperos para limpiar el MANHATTAN. Esto provocará el deterioro de la superficie del calentador.

El cambio de lámpara solo debe ser realizado por personal debidamente cualificado.

DISPOSICIÓN:

Este calentador es un producto eléctrico y no debe desecharse con la basura doméstica. Se puede reciclar un alto porcentaje del calentador. Trate como desperdicio eléctrico y recíclalo de acuerdo con las regulaciones locales.

GARANTÍA:

Registre su producto aquí: <https://www.herschel-infrarrojo.es/atencion-al-cliente/registro-de-garantia/>

El Herschel MANHATTAN está garantizado contra fallas debido a materiales o mano de obra defectuosos durante dos años a partir de la fecha de compra, excluyendo la lámpara y el control remoto. En el improbable caso de falla de la unidad dentro de este tiempo, la unidad debe devolverse al proveedor para su reparación o reemplazo. La garantía no es válida si no se han seguido las instrucciones de instalación correctas que se dan en este folleto. Consulte la política de garantía de Herschel Infrared Ltd para obtener todos los detalles.

Consulte <https://www.herschel-infrarrojo.es/>

Anote su número de serie para referencia futura:

INFORMACIÓN TÉCNICA:

Potencia nominal:	3000W en 220-240V
Configuración de energía:	1500W / 3000W con mando a distancia. 3000 W en modo by-pass remoto
Elemento de calefacción:	2 lámparas calefactoras premium de bajo deslumbramiento de 1,5 kW
Reflector:	Espejo de aluminio (98% de reflexión que evita la pérdida de calor hacia atrás)
Dimensiones:	104,5 x 15 x 8,5 cm
Posición de montaje:	Pared o techo
Tiempo de calentamiento:	2 segundos
Longitud de onda máxima:	Los 0.8µm
Peso:	4,2 kg
Garantía:	2 años (excluye lámpara y control remoto)
Proteccion:	IP54
Remoto:	Temporizador de 24 horas, ajuste de media potencia. 2 pilas AAA

EQUIPO ELÉCTRICO:



Los productos eléctricos de desecho no deben desecharse con la basura doméstica. Por favor, recicle en las instalaciones correspondientes.

AVISO IMPORTANTE PARA EL COMPRADOR:

Antes de usar el producto, debe determinar su idoneidad para el uso previsto. HERSCHEL INFRARED LTD renuncia expresamente a las garantías y condiciones implícitas de comerciabilidad e idoneidad para un propósito particular. En ningún caso HERSCHEL INFRARED LTD será responsable bajo ninguna teoría legal, incluyendo pero no limitado a contrato o responsabilidad estricta, por cualquier daño directo, indirecto especial, incidental o consecuente que resulte del uso del producto.