



HERSCHEL HAWAII 2000 Watts
Hanging Infrared Patio Heater



EN INSTALLATION & OPERATING INSTRUCTIONS
FR INSTRUCTIONS D'INSTALLATION ET D'UTILISATION
DE INSTALLATIONS- & BEDIENUNGSANLEITUNG
NL INSTALLATIE- EN BEDIENINGSINSTRUCTIES
IT ISTRUZIONI PER L'INSTALLAZIONE E L'USO
ES INSTRUCCIONES DE INSTALACIÓN Y FUNCIONAMIENTO

MODELS COVERED BY THIS MANUAL:

Hawaii 2000



The product complies with the essential requirements of UK Conformity Assessment and European Safety Standards Low Voltage Directive 2014/35/EC. SAA Certificate: SAA-210686-EA

IMPORTANT SAFETY PRECAUTIONS

READ THESE INSTRUCTIONS CAREFULLY AND RETAIN FOR FUTURE REFERENCE.

Failure to observe these instructions will invalidate the warranty. No liability can be accepted for any damage caused by non-compliance with these instructions or through improper use or mishandling.

This unit may be a source of possible shock.

Do not disassemble. No user-serviceable parts inside.

Source of possible ignition.



WARNING

TO REDUCE THE RISK OF FIRE, ELECTRIC SHOCK OR INJURY:

1. Remove the unit from its packaging and check it to ensure it is in good condition before installing and operating.
2. Send the packaging to be recycled. **DO NOT** let children play with plastic bags or other parts of the packaging.
3. **CAUTION:** Risk of Electric shock
 - a. This appliance must be disconnected from its power source during installation or service activities and when replacing.
 - b. **DO NOT** use this heater in the immediate surroundings of a bath, shower or swimming pool or hot tub where it could fall into a container full of water.
 - c. Switches and other controls must not be within reach of a person in a bath, pool, hot tub or shower.
 - d. **DO NOT** touch this heater or its controls with wet hands.
 - e. **DO NOT** allow power cables to become immersed in water or other liquid.
 - f. **DO NOT** open or try to repair the heater yourself. Servicing should be performed by qualified personnel only.
4. In order to avoid overheating and potential fire hazard, **DO NOT** cover the heater under any circumstances. If the heater should become accidentally covered during operation, turn it off immediately and clear out any foreign objects that have covered the heater or become lodged in the grill.
5. The unit must be installed with a minimum clearance of 1800mm (71") to the floor and 300mm (12") clearance at the top and sides of the heater.
6. **DO NOT** touch the heater when in use. Parts of the heater may exceed 200°C / 392°F during operation. Contact with the heater during operation may cause severe burns. Do not touch the heater during or for 10 minutes after operation.
7. **DO NOT** use the heater if the power cord is damaged. This must be replaced by the manufacturer, its service agent or similarly qualified persons in order to avoid a hazard.
8. **DO NOT** use the heater to ignite materials. **DO NOT** operate in locations containing gasoline, flammable liquids or other volatile substances.
9. **DO NOT** install this heater near, or pointing towards flammable objects within 1 metre or where curtains, towels or other flammable items can be blown onto the heater.
10. This heater must only be used for the heating of people outdoors or indoors in an unenclosed space. The HAWAII is not to be used by children or persons with reduced physical, sensory or mental capabilities, or lack of experience or knowledge, regardless of whether they have been given

instruction or are under supervision. Children should be kept away and should not be left unsupervised around the unit.

11. All operators shall only switch on/off the appliance provided that it has been placed or installed in its intended normal operating position and they have been given supervision or instruction concerning use of the appliance in a safe way and understand the hazards involved. Children shall not plug in, switch on or regulate the appliance or perform user maintenance including cleaning.
12. **DO NOT** leave the heater operating unattended.
13. **NEVER** place hands under the heating element during operation.
14. **IMPORTANT:** Ensure supply voltage does not exceed 245 Volts.

SAVE THESE INSTRUCTIONS.

WATER INGRESS PROTECTION:

Herschel HAWAII is rated to a standard IP44. Suitable for outdoor use.

If the HAWAII is hung or installed from a canopy/roof 300mm clearance must be maintained at all times.

Installation in areas such as outdoor bathrooms, pools or hot tubs must be carried out by a suitably qualified installer and comply with local electrical safety requirements.

If in doubt, do not install. Herschel Infrared Ltd shall not be liable for any loss, damage or injury caused or resulting from inadequate fitting or incorrect placement of heaters close to water sources.

ELECTRICAL INFORMATION:

The Hawaii 2000 may be plugged in to a waterproof socket. Any extension lead used must have sufficient capacity to carry the current required by the heater as show in in Table 1. All plugs, sockets and switches intended for use outdoors must have an appropriate water ingress protection.

Alternatively the plug can be removed and the unit connected to fixed mains wiring. Fixed wiring installations must only be carried out by competent persons or a qualified electrician according to national regulations and the unit must be earthed. The electrical supply to the unit should be provided by connecting to a current protection device suitable for the electrical rating of the unit in accordance with Table 1 and providing disconnection in both poles. All fixed wiring must have sufficient capacity to carry the current required by the heater.

Always disconnect the heater from the power when not in use.

Table 1. Electrical Specification

Model	HAWAII 2000
Voltage	220 – 240V
Rated Power	2000 Watts
Current	9 Amps
Frequency	50 Hz
Cable Colour	Brown, Blue, Yellow/Green

ENGLISH

The mounting position of the unit must ensure that any mechanical damage to the flexible cable is unlikely. Excess cable should be secured and must not touch hot parts of the heater and should not encroach into the heated area. Do not allow the cable to act as a conduit for water into the cable gland on the back of the heater.

Colour coding used in the supplied mains cable:

BROWN wire is to be connected to LIVE ('L'), the BLUE wire to NEUTRAL ('N') and the GREEN/YELLOW wire to EARTH ('E').

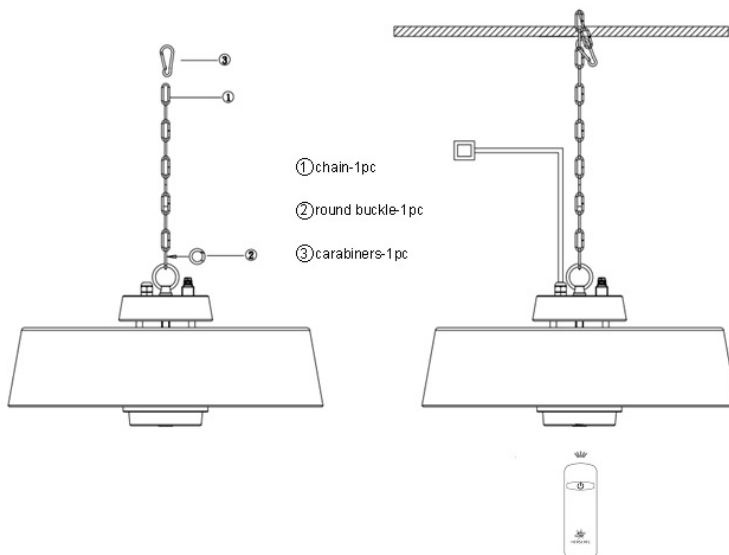
MOUNTING POSITION:

The Herschel HAWAII is a middlewave infrared heater suitable for use in cold indoor or semi-sheltered outdoor areas. When used outdoors or other areas with air movement/wind, the directional Infrared spread may reduce by 1/3 to 1/2 from published figures.

The HAWAII must be suspended using the chain kit provided from a firm structure forming part of an overhead shelter. The heater must not be exposed to rain or water ingress from above.

The sides and ends of the heater must always be at least 300mm (12") away from the nearest wall, ceiling or other structure. The unit must be suspended using the chain (supplied). You can wrap the chain around a fixture and clip it back to itself using the buckle clip provided so long as the heater can hang 300mm from the ceiling.

For all installations, the HAWAII must be located in a position to allow proper and efficient use but one that ensures hot parts are not touched accidentally. The minimum installation height of the HAWAII above the floor is 1.8m (71"). Under no circumstances is the unit to be installed at less than 1.8m (71") from the floor. Consideration should be given to any temporary or occasional structures such as stages or platforms and adjusted accordingly.



HANDLING WHILE INSTALLING:

Take care while installing to avoid touching the grill on the front of the heater. Be sure to wipe away any finger marks from the heater before the heater is first switched on, since the oils in fingerprints can burn and cause rapid discolouration of certain parts.

CAUTION:

- Ensure mains power is OFF and the unit is cool before commencing installation.
- The supplied mains cable must not contact the top surface of the heater during operation.
- Heater must not be located immediately above or below a socket outlet. Electrical connections must be made outside of the footprint of the unit to avoid heat build-up in the connection.
- Joists, beams and rafters shall not be cut or notched to install the appliance.
- Overhead heater attachments must be capable of supporting 4x the weight of the unit (i.e. 14 kilograms or 31 lbs)
- This heater is not intended for recessed installation.
- The identification mark and model reference should be visible after installation.
- The fixed wiring insulation coming into contact with parts with a temperature rise of greater than 50°C must be protected, for example, by sleeving having an appropriate temperature rating.
- Ensure that wires are properly secured and cannot be pulled by small children.

INITIAL USE:

The power switch on the back (top side) of the HAWAII has 3 positions:

- Position O (Off)
- Position I (Remote bypass)
- Position II (Remote control).



CAUTION: The power switch may become unintentionally switched to position I (Remote Bypass) during unpacking and installation. To avoid any possibility of burns, ensure the power switch is in the OFF position (marked **O** on the switch) before switching on mains power.

Position I. To bypass the remote control, turn the switch on the heater to position I. When the switch is in this position the heater will turn on or off depending on whether it has power to it. The remote control unit will not control the heater when the switch is in position I. Use this where you wish to hard wire the heater to a switching device such as a push button timer or thermostat.

Position II. To use the heater with the remote control, ensure the switch of the heater is switched to position II.

Insert 2 x AAA Alkaline batteries into the remote control.

The remote control operates the heater remotely on or off only. There is no adjustable heat level. However, all Herschel HAWAII remote controls share the same frequency, so it is possible to control several heaters with just one remote.

There may be odour or vapour from the heater on initial use or if it has not been used for an extended period. This is normal.

EXTENDED USE:

Over time the grill may discolour due to high temperatures, airborne contaminants and fingerprints.

Discolouration will not affect the performance or safety of the heater and is not a condition for warranty replacement.

USER MAINTENANCE:

Avoid touching the front grill on the front of the heater and be sure to wipe off fingerprints from these parts. Avoid touching a cold lamp with your fingers. Always wipe off finger marks if you accidentally touch the lamp. Residue from fingerprints can cause hot spots on the lamp surface and shorten the life of the lamp.

The heater may be wiped-down with a soft damp cloth. Do not use abrasive detergents to clean the unit.

DO NOT use alcohol, petrol, abrasive cleaners, furniture polish or rough brushes to clean the HAWAII. This will cause deterioration to the surface of the heater.

The lamp used in the Herschel HAWAII is long life. Changing the lamp should only be carried out by suitably qualified personnel.

TROUBLESHOOTING:

If the heater ceases working check:

- Power to the unit is switched on.
- If the switch on the rear unit is switched to Position I, the heat lamp will light.
- Alternatively if the switch on the rear unit is switched to Position II, the heat lamp will light when the remote control is operated.
- Check that there are fresh batteries in the remote control.
- Check the condition of the lamp (not broken or blackened). Please refer to your Herschel dealer for replacing the lamp.

DISPOSAL:

This heater is an electrical product and must not be disposed of in household waste. A high percentage of the heater can be recycled. Please treat as electrical waste and recycle in accordance with local regulations.

WARRANTY:

Register your product here: <https://www.herschel-infrared.co.uk/customer-service/warranty-registration/>

The Herschel HAWAII is guaranteed against failure due to faulty materials or workmanship for two years from date of purchase excluding the lamp and remote control. In the unlikely event of failure of the unit within this time, the unit must be returned to the supplier for repair or replacement. The guarantee is invalid if the correct installation instructions as given in this leaflet have not been adhered to. Refer to Herschel Infrared Ltd's warranty policy for full details. See <https://www.herschel-infrared.co.uk>. Note your serial number for future reference:

TECHNICAL INFORMATION:

Rated Power:	2000W. 220-240V
Heating Element:	Long Life warm glow carbon filament heating lamp
Dimensions:	Ø 50 x 25 cm
Mounting position:	Ceiling
Warm-up time:	5 - 10 seconds
Peak wavelength:	2 - 5µm
Weight:	3.5kg
Warranty:	2 Years (excludes lamp & remote control)
Protection:	IP44

ELECTRICAL EQUIPMENT:

Waste electrical products should not be disposed of with household waste. Please recycle where facilities exist.

**IMPORTANT NOTICE TO PURCHASER:**

Before using the product, you should determine its suitability for its intended use. HERSCHEL INFRARED LTD expressly disclaims implied warranties and conditions of merchantability and fitness for a particular purpose. In no case shall HERSCHEL INFRARED LTD be liable under any legal theory, including but not limited to contract or strict liability, for any direct, indirect special, incidental or consequential damages resulting from product use.

PRÉCAUTIONS DE SÉCURITÉ IMPORTANTES

LIRE ATTENTIVEMENT CES INSTRUCTIONS ET LES CONSERVER POUR RÉFÉRENCE FUTURE.

Le non-respect de ces instructions annulera la garantie. Aucune responsabilité ne peut être acceptée pour tout dommage causé par le non-respect de ces instructions ou par une mauvaise utilisation ou une mauvaise manipulation.

Cet appareil peut être une source de choc possible.

Ne pas désassembler. Aucune pièce réparable par l'utilisateur à l'intérieur.

Source d'inflammation possible.



ATTENTION

POUR RÉDUIRE LE RISQUE D'INCENDIE, DE CHOC ÉLECTRIQUE OU DE BLESSURE :

1. Retirez l'unité de son emballage et vérifiez qu'elle est en bon état avant de l'installer et de l'utiliser.
2. Envoyez l'emballage à recycler. **NE PAS** laisser les enfants jouer avec des sacs en plastique ou d'autres parties de l'emballage.
3. **ATTENTION** : Risque de choc électrique
 - a. Cet appareil doit être débranché de sa source d'alimentation pendant les activités d'installation ou d'entretien et lors du remplacement.
 - b. N'utilisez **PAS** ce radiateur à proximité immédiate d'une baignoire, d'une douche, d'une piscine ou d'un bain à remous où il pourrait tomber dans un récipient rempli d'eau.
 - c. Les interrupteurs et autres commandes ne doivent pas être à la portée d'une personne dans un bain, une piscine, un bain à remous ou une douche.
 - d. **NE PAS** toucher ce radiateur ou ses commandes avec les mains mouillées.
 - e. **NE PAS** laisser les câbles d'alimentation s'immerger dans l'eau ou tout autre liquide.
 - f. N'ouvrez **PAS** ou n'essayez **PAS** de réparer le radiateur vous-même. L'entretien doit être effectué uniquement par du personnel qualifié.
4. Afin d'éviter une surchauffe et un risque d'incendie potentiel, **NE** couvrez en aucun cas l'appareil de chauffage. Si l'appareil de chauffage est accidentellement couvert pendant le fonctionnement, éteignez-le immédiatement et éliminez tout corps étranger qui a recouvert l'appareil de chauffage ou qui s'est logé dans le gril.
5. L'unité doit être installée avec un dégagement minimum de 1800 mm (71") au sol et un dégagement de 300 mm (12") en haut et sur les côtés de l'appareil de chauffage.
6. **NE PAS** toucher l'appareil de chauffage lorsqu'il est utilisé. Certaines parties de l'appareil de chauffage peuvent dépasser 200 °C / 392 °F pendant le fonctionnement. Le contact avec l'appareil de chauffage pendant le fonctionnement peut provoquer de graves brûlures. Ne touchez pas le radiateur pendant ou pendant 10 minutes après le fonctionnement.
7. N'utilisez **PAS** le radiateur si le cordon d'alimentation est endommagé. Celui-ci doit être remplacé par le fabricant, son agent de service ou des personnes de qualification similaire afin d'éviter tout danger.
8. **NE PAS** utiliser l'appareil de chauffage pour enflammer des matériaux. **NE PAS** faire fonctionner dans des endroits contenant de l'essence, des liquides inflammables ou d'autres substances volatiles.



9. N'installez **PAS** cet appareil de chauffage à proximité ou en direction d'objets inflammables à moins d'un mètre ou là où des rideaux, des serviettes ou d'autres articles inflammables peuvent être soufflés sur l'appareil de chauffage.
10. Ce radiateur ne doit être utilisé que pour le chauffage de personnes à l'extérieur ou à l'intérieur dans un espace non clos. Le HAWAII ne doit pas être utilisé par des enfants ou des personnes ayant des capacités physiques, sensorielles ou mentales réduites, ou un manque d'expérience ou de connaissances, qu'ils aient reçu des instructions ou qu'ils soient sous surveillance. Les enfants doivent être tenus à l'écart et ne doivent pas être laissés sans surveillance autour de l'unité.
11. Tous les opérateurs doivent allumer/éteindre l'appareil uniquement à condition qu'il ait été placé ou installé dans sa position de fonctionnement normale prévue et qu'ils aient reçu une supervision ou des instructions concernant l'utilisation de l'appareil de manière sûre et qu'ils comprennent les risques encourus. Les enfants ne doivent pas brancher, allumer ou régler l'appareil ou effectuer l'entretien par l'utilisateur, y compris le nettoyage.
12. **NE PAS** laisser le radiateur fonctionner sans surveillance.
13. **NE JAMAIS** placer les mains sous l'élément chauffant pendant le fonctionnement.
14. **IMPORTANT** : Assurez-vous que la tension d'alimentation ne dépasse pas 245 volts.

CONSERVEZ CES INSTRUCTIONS.

PROTECTION CONTRE LES INFILTRATIONS D'EAU :

Herschel HAWAII est classé selon la norme IP44. Convient pour une utilisation en extérieur.

Si le HAWAII est suspendu ou installé sur un auvent ou un toit, un dégagement de 300 mm doit être maintenu à tout moment.

L'installation dans des zones telles que des salles de bains extérieures, des piscines ou des bains à remous doit être effectuée par un installateur qualifié et conforme aux exigences locales de sécurité électrique.

En cas de doute, n'installez pas. Herschel Infrared Ltd ne sera pas responsable des pertes, dommages ou blessures causés ou résultant d'un montage inadéquat ou d'un placement incorrect des appareils de chauffage à proximité de sources d'eau.

INFORMATIONS ÉLECTRIQUES :

Le Hawaii 2000 peut être branché sur une prise étanche. Toute rallonge utilisée doit avoir une capacité suffisante pour transporter le courant requis par l'appareil de chauffage, comme indiqué dans le tableau 1. Toutes les fiches, prises et interrupteurs destinés à être utilisés à l'extérieur doivent avoir une protection appropriée contre les infiltrations d'eau.

Alternativement, la fiche peut être retirée et l'unité connectée au câblage secteur fixe. Les installations de câblage fixe ne doivent être effectuées que par des personnes compétentes ou un électricien qualifié conformément aux réglementations nationales et l'unité doit être mise à la terre. L'alimentation électrique de l'unité doit être fournie en se connectant à un dispositif de protection de courant adapté à la puissance électrique de l'unité conformément au tableau 1 et en fournissant une déconnexion dans les deux pôles. Tout le câblage fixe doit avoir une capacité suffisante pour transporter le courant requis par l'appareil de chauffage.

Débranchez toujours l'appareil de chauffage de l'alimentation lorsqu'il n'est pas utilisé.

Tableau 1. Spécification électrique

Modèle	HAWAII 2000
Tension	220 – 240V
Puissance nominale	2000 Watts
Actuel	9 ampères
La fréquence	50 Hz
Couleur du câble	Marron, Bleu, Jaune/Vert

La position de montage de l'unité doit garantir que tout endommagement mécanique du câble flexible est peu probable. L'excédent de câble doit être fixé et ne doit pas toucher les parties chaudes du radiateur et ne doit pas empiéter sur la zone chauffée. Ne laissez pas le câble servir de conduit pour l'eau dans le presse-étoupe à l'arrière de l'appareil de chauffage.

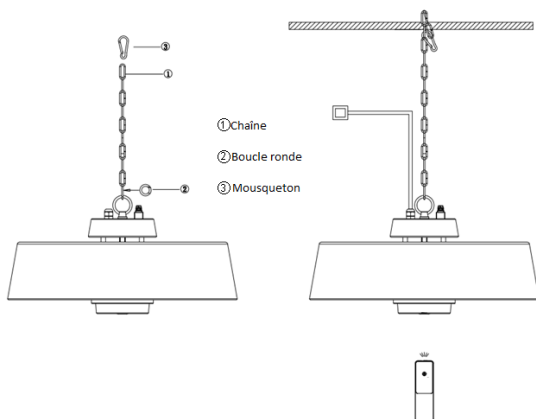
Code couleur utilisé dans le câble secteur fourni :

Le fil MARRON doit être connecté à LIVE (« L »), le fil BLEU au NEUTRE (« N ») et le fil VERT/JAUNE à la TERRE (« E »).

POSITION DE MONTAGE :

Le Herschel HAWAII est un radiateur infrarouge à ondes moyennes adapté à une utilisation dans des espaces intérieurs froids ou extérieurs semi-abris. Lorsqu'il est utilisé à l'extérieur ou dans d'autres zones avec mouvement d'air/vent, la propagation infrarouge directionnelle peut être réduite de 1/3 à 1/2 par rapport aux chiffres publiés. Le HAWAII doit être suspendu à l'aide du kit de chaîne fourni à partir d'une structure ferme faisant partie d'un abri aérien. Le radiateur ne doit pas être exposé à la pluie ou à la pénétration d'eau par le dessus.

Les côtés et les extrémités du radiateur doivent toujours être à au moins 300 mm (12") du mur, du plafond ou de toute autre structure le plus proche. L'unité doit être suspendue à l'aide de la chaîne (fournie). Vous pouvez enrouler la chaîne autour d'un luminaire et le clipser sur lui-même à l'aide du clip à boucle fourni tant que le radiateur peut pendre à 300 mm du plafond.



Pour toutes les installations, le HAWAII doit être situé dans une position permettant une utilisation correcte et efficace, mais garantissant que les pièces chaudes ne sont pas touchées accidentellement. La hauteur d'installation minimale du HAWAII au-dessus du sol est de 1,8 m (71"). L'unité ne doit en aucun cas être installée à moins de 1,8 m (71") du sol. Il convient de prendre en considération toute structure temporaire ou occasionnelle telle que des scènes ou des plates-formes et ajustée en conséquence.

MANIPULATION PENDANT L'INSTALLATION :

Faites attention lors de l'installation pour éviter de toucher la grille à l'avant de l'appareil de chauffage. Assurez-vous d'essuyer toute trace de doigt sur le radiateur avant de le mettre en marche pour la première fois, car les huiles des empreintes digitales peuvent brûler et provoquer une décoloration rapide de certaines pièces.



MISE EN GARDE:

- Assurez-vous que l'alimentation secteur est coupée et que l'unité est froide avant de commencer l'installation.
- Le câble d'alimentation fourni ne doit pas entrer en contact avec la surface supérieure de l'appareil de chauffage pendant le fonctionnement.
- Le radiateur ne doit pas être situé immédiatement au-dessus ou au-dessous d'une prise de courant. Les connexions électriques doivent être effectuées à l'extérieur de l'empreinte de l'unité pour éviter l'accumulation de chaleur dans la connexion.
- Les solives, poutres et chevrons ne doivent pas être coupés ou encochés pour installer l'appareil.
- Les accessoires de chauffage au plafond doivent être capables de supporter 4 fois le poids de l'appareil (c'est-à-dire 14 kilogrammes ou 31 lb)
- Ce radiateur n'est pas conçu pour une installation encastrée.
- La marque d'identification et la référence du modèle doivent être visibles après l'installation.
- L'isolation des câbles fixes entrant en contact avec des pièces dont l'échauffement est supérieur à 50°C doit être protégée, par exemple, par des gaines ayant une température nominale appropriée.
- Assurez-vous que les fils sont correctement fixés et ne peuvent pas être tirés par de jeunes enfants.

INITIAL USE:

L'interrupteur d'alimentation à l'arrière (côté supérieur) du HAWAII a 3 positions :

- Position O (Désactivé)
- Position I (Bypass à distance)
- Position II (Télécommande).



MISE EN GARDE:

L'interrupteur d'alimentation peut basculer par inadvertance sur la position I (dérivation à distance) pendant le déballage et l'installation. Pour éviter tout risque de brûlure, assurez-vous que l'interrupteur d'alimentation est en position OFF (marqué O sur l'interrupteur) avant de mettre sous tension.

Position I. Pour contourner la télécommande, placez l'interrupteur de l'appareil de chauffage en position I. Lorsque l'interrupteur est dans cette position, l'appareil de chauffage s'allumera ou s'éteindra selon qu'il est alimenté ou non. La télécommande ne contrôlera pas le radiateur lorsque l'interrupteur est en position I. Utilisez-le lorsque vous souhaitez câbler le radiateur à un dispositif de commutation tel qu'une minuterie à bouton-poussoir ou un thermostat.

Poste II. Pour utiliser le radiateur avec la télécommande, assurez-vous que l'interrupteur du radiateur est en position II.

Insérez 2 piles alcalines AAA dans la télécommande.

La télécommande permet d'allumer ou d'éteindre l'appareil de chauffage à distance uniquement. Il n'y a pas de niveau de chaleur réglable. Cependant, toutes les télécommandes Herschel HAWAII partagent la même fréquence, il est donc possible de contrôler plusieurs radiateurs avec une seule télécommande.

Il peut y avoir une odeur ou de la vapeur de l'appareil de chauffage lors de la première utilisation ou s'il n'a pas été utilisé pendant une période prolongée. C'est normal.

UTILISATION ÉLARGIE :

Au fil du temps, le gril peut se décolorer en raison des températures élevées, des contaminants en suspension dans l'air et des traces de doigts.

La décoloration n'affectera pas les performances ou la sécurité de l'appareil de chauffage et n'est pas une condition pour le remplacement sous garantie.

ENTRETIEN UTILISATEUR :

Évitez de toucher la grille avant à l'avant de l'appareil de chauffage et assurez-vous d'essuyer les empreintes digitales de ces pièces.

Évitez de toucher une lampe froide avec vos doigts. Essayez toujours les traces de doigts si vous touchez accidentellement la lampe. Les résidus d'empreintes digitales peuvent provoquer des points chauds sur la surface de la lampe et raccourcir la durée de vie de la lampe.

Le radiateur peut être essuyé avec un chiffon doux et humide. N'utilisez pas de détergents abrasifs pour nettoyer l'appareil. N'utilisez PAS d'alcool, d'essence, de nettoyeurs abrasifs, de cire pour meubles ou de brosses rugueuses pour nettoyer le HAWAII. Cela entraînera une détérioration de la surface de l'appareil de chauffage.

La lampe utilisée dans le Herschel HAWAII est longue durée de vie. Le remplacement de la lampe ne doit être effectué que par du personnel qualifié.

DÉPANNAGE:

Si l'appareil de chauffage cesse de fonctionner, vérifiez :

- L'appareil est sous tension.
- Si l'interrupteur de l'unité arrière est basculé sur la position I, la lampe chauffante s'allumera.
- Alternativement, si l'interrupteur de l'unité arrière est en position II, la lampe chauffante s'allumera lorsque la télécommande est actionnée.
- Vérifiez qu'il y a des piles neuves dans la télécommande.
- Vérifier l'état de la lampe (pas cassée ou noircie). Veuillez vous référer à votre revendeur Herschel pour le remplacement de la lampe.

DISPOSITION:

Ce radiateur est un produit électrique et ne doit pas être jeté avec les ordures ménagères. Un pourcentage élevé de l'appareil de chauffage peut être recyclé. Veuillez les traiter comme des déchets électriques et les recycler conformément aux réglementations locales.

GARANTIE:

Enregistrez votre produit ici :

<https://www.herschel-infrarouge.fr/service-clients/enregistrement-garantie/>

Le Herschel HAWAII est garanti contre les pannes dues à des défauts de matériaux ou de fabrication pendant deux ans à compter de la date d'achat, à l'exception de la lampe et de la télécommande. Dans le cas improbable d'une défaillance de l'unité dans ce délai, l'unité doit être renvoyée au fournisseur pour réparation ou remplacement. La garantie n'est pas valable si les instructions d'installation correctes telles que données dans cette brochure n'ont pas été respectées. Reportez-vous à la politique de garantie de Herschel Infrared Ltd pour plus de détails. Voir <https://www.herschel-infrarouge.fr/>.

Notez votre numéro de série pour référence future :

--

INFORMATIONS TECHNIQUES:

Puissance nominale :	2000W. 220-240V
Élément chauffant:	Lampe chauffante à filament de carbone à lueur chaude longue durée
Dimensions:	lueur chaude longue durée
Position de montage :	Ø 50x25cm
Temps de préchauffage:	Plafond
Longueur d'onde maximale :	5 - 10 secondes
Poids:	2 - 5µm
Garantie:	3,5 kg
Protection:	2 ans (hors lampe et télécommande) IP44

ÉQUIPEMENT ÉLECTRIQUE:

Les déchets de produits électriques ne doivent pas être jetés avec les ordures ménagères. Veuillez recycler là où les installations existent.

AVIS IMPORTANT À L'ACHETEUR :

Avant d'utiliser le produit, vous devez déterminer son adéquation à l'usage auquel il est destiné. HERSCHEL INFRARED LTD décline expressément les garanties et conditions implicites de qualité marchande et d'adéquation à un usage particulier. En aucun cas, HERSCHEL INFRARED LTD ne pourra être tenu responsable en vertu d'une quelconque théorie juridique, y compris, mais sans s'y limiter, la responsabilité contractuelle ou stricte, pour tout dommage direct, indirect spécial, accessoire ou consécutif résultant de l'utilisation du produit.

WICHTIGE SICHERHEITSHINWEISE

LESEN SIE DIESE HINWEISE SORGFÄLTIG DURCH UND BEWAHREN SIE SIE ZUM SPÄTEREN NACHSCHLAGEN AUF.

Die Nichtbeachtung dieser Hinweise führt zum Erlöschen der Garantie. Für Schäden, die durch Nichtbeachtung dieser Anleitung oder durch unsachgemäßen Gebrauch oder falsche Handhabung entstehen, kann keine Haftung übernommen werden.

Dieses Gerät kann eine mögliche Stromschlagquelle sein.

Das Gerät darf nicht demontiert werden. Im Inneren des Gerätes befinden sich keine Teile, die vom Benutzer gewartet werden können.

Vorsicht: Mögliche Entzündungsquelle.



WARNUNG

ZUR VERRINGERUNG DES BRAND-, STROMSCHLAG- ODER VERLETZUNGSRIKOS, BEACHTEN SIE FOLGENDE HINWEISE:

1. Nehmen Sie das Gerät aus der Verpackung und prüfen Sie es vor der Montage und dem Betrieb auf seinen ordnungsgemäßen Zustand.
2. Entsorgen Sie die Verpackung zum Recycling. Lassen Sie Kinder **NICHT** mit Plastiktüten oder anderen Teilen der Verpackung spielen.
3. **VORSICHT:** Gefahr eines Stromschlags
 - a. Dieses Gerät muss bei Montage- oder Servicearbeiten sowie bei Austauscharbeiten von seiner Stromquelle getrennt werden.
 - b. Verwenden Sie dieses Heizgerät **NICHT** in der unmittelbaren Umgebung einer Badewanne, Dusche oder eines Swimmingpools, wo es in einen mit Wasser gefüllten Behälter fallen könnte.
 - c. Schalter und andere Bedienelemente dürfen sich nicht in Reichweite einer Person befinden, die sich in einer Badewanne, einem Pool oder einer Dusche befindet.
 - d. Berühren Sie diesen Heizstrahler oder seine Bedienelemente **NICHT** mit nassen Händen.
 - e. Vermeiden Sie, dass Stromkabel in Wasser oder andere Flüssigkeiten gelangen.
 - f. Warten Sie den Heizstrahler **NICHT** und versuchen Sie **NICHT**, ihn selbst zu reparieren. Die Wartung sollte nur von qualifiziertem Personal durchgeführt werden.
4. Um eine Überhitzung und somit potenzielle Brandgefahr zu vermeiden, darf das Heizgerät unter keinen Umständen abgedeckt werden. Sollte das Heizgerät während des Betriebs versehentlich abgedeckt werden, schalten Sie es sofort aus und entfernen Sie alle Fremdkörper, die das Heizgerät bedeckt haben oder im Schutzgitter stecken geblieben sein könnten.
5. Das Gerät muss mit einem Mindestabstand von 1800 mm (71") zum Boden und 300mm (12") Abstand an der Oberseite sowie an den Seiten der Heizung installiert werden.
6. Berühren Sie das Heizgerät **NICHT**, wenn es in Gebrauch ist. Teile des Heizgeräts können während des Betriebs 200°C / 392°F überschreiten. Der Kontakt mit dem Heizstrahler während des Betriebs kann zu schweren Verbrennungen führen. Berühren Sie den Heizstrahler während oder für 10 Minuten nach dem Betrieb nicht.



7. Verwenden Sie den Heizstrahler **NICHT**, wenn das Netzkabel beschädigt ist. Dieses muss durch den Hersteller, seinen Kundendienst oder ähnlich qualifiziertes Fachpersonal ersetzt werden, um eine Gefährdung zu vermeiden.
8. Verwenden Sie den Heizstrahler **NICHT** zum Entzünden von Materialien. Das Gerät darf **NICHT** an Orten betrieben werden, an denen sich Benzin, entflammare Flüssigkeiten oder andere entflammare Substanzen befinden.
9. Montieren Sie diesen Heizstrahler **NICHT** in der Nähe von entflammaren Gegenständen (Mindestsicherheitsabstand 1 Meter) oder dort, wo Vorhänge, Handtücher oder andere entflammare Gegenstände aufgrund von Wind o.Ä. auf den Heizstrahler geweht werden könnten.
10. Dieser Heizstrahler ist ausschließlich zum Wärmen von Personen im Freien oder in Innenräumen, die nicht geschlossen sind, zu verwenden. Die HAWAII darf nicht von Kindern oder Personen mit eingeschränkten physischen, sensorischen oder mentalen Fähigkeiten oder mangelnder Erfahrung oder Kenntnissen benutzt werden, unabhängig davon, ob sie eingewiesen wurden oder unter Aufsicht stehen. Kinder sollten ferngehalten und nicht unbeaufsichtigt in der Nähe des Gerätes zurückgelassen werden.
11. Alle Benutzer dürfen das Gerät nur dann ein- und ausschalten, wenn es in seiner vorgesehenen Betriebsposition angebracht oder montiert wurde und wenn sie eine Unterweisung über den sicheren Gebrauch des Geräts erhalten haben und die damit verbundenen Gefahren verstanden haben. Kinder dürfen das Gerät weder an das Stromnetz anschließen, einschalten oder regulieren noch Wartungsarbeiten einschließlich der Reinigung durchführen.
12. Lassen Sie den Heizstrahler **NICHT** unbeaufsichtigt.
13. Halten Sie während des Betriebs **NIEMALS** die Hände unter das Heizelement.
14. **WICHTIG:** Stellen Sie sicher, dass die Versorgungsspannung 245 Volt nicht übersteigt.

BEWAHREN SIE DIESE ANWEISUNGEN SICHER AUF.

WASSEREINTRITTSCHUTZ:

Herschel HAWAII ist nach dem Standard IP44 (spritzwassergeschützt) eingestuft. Um die Lebensdauer des Heizstrahlers zu maximieren und die Möglichkeit eines Stromschlags zu vermeiden, darf das Gerät im Freien unter der Decke, jedoch nicht an Orten betrieben oder gelagert werden, an denen es Schlagregen, Wind, Frost oder Salzwasserverschmutzung ausgesetzt sein könnte. Wenn der HAWAII an einem Vordach aufgehängt oder installiert wird, muss jederzeit ein Abstand von 300 mm eingehalten werden.

Die Installation in Bereichen wie Außenbädern, Pools oder Whirlpools muss von einem entsprechend qualifizierten Installateur durchgeführt werden und den örtlichen Sicherheitsanforderungen entsprechen.

Installieren Sie im Zweifelsfall nicht. Herschel Infrared Ltd haftet nicht für Verluste, Schäden oder Verletzungen, die durch unsachgemäße Montage oder fehlerhafte Platzierung von Heizungen in der Nähe von Wasserquellen verursacht werden.

TECHNISCHE INFORMATIONEN:

Der Hawaii 2000 kann an eine wasserdichte Steckdose angeschlossen werden. Jedes verwendete Verlängerungskabel muss eine ausreichende Kapazität haben, um den vom Heizgerät benötigten Strom zu führen, wie in Tabelle 1 gezeigt. Alle Stecker, Steckdosen und Schalter, die für den Einsatz im Freien bestimmt sind, müssen einen geeigneten Schutz gegen das Eindringen von Wasser aufweisen.

Alternativ kann der Stecker abgezogen und das Gerät an eine feste Netzleitung angeschlossen werden. Festverkabelte Installationen dürfen nur von sachkundigen Personen oder einer Elektrofachkraft gemäß den

nationalen Vorschriften durchgeführt werden und das Gerät muss geerdet werden. Die Stromversorgung des Geräts sollte durch den Anschluss an eine für die elektrische Nennleistung des Geräts geeignete Schutzvorrichtung gemäß Tabelle 1 und eine beidseitige Trennung erfolgen. Alle festen Kabel müssen eine ausreichende Kapazität haben, um den vom Heizgerät benötigten Strom zu führen.

Trennen Sie das Heizgerät immer vom Strom, wenn es nicht verwendet wird.

Tabelle 1. Elektrische Spezifikation

Modell	HAWAII 2000
Spannung	220 – 240V
Bewertete Leistung	2000 Watt
Aktuellen	9 Ampere
Frequenz	50 Hz
Kabelfarbe	Braun, Blau, Gelb/Grün

Die Montageposition des Heizgeräts muss gewährleisten, dass eine mechanische Beschädigung des flexiblen Kabels ausgeschlossen ist. Überschüssiges Kabel sollte gesichert werden und darf keine heißen Teile des Heizstrahlers berühren. Es muss außerhalb des Strahlungsbereiches verbleiben. Vermeiden Sie, dass das Kabel als Wasserführung in die Kabelverschraubung auf der Rückseite des Heizstrahlers dient.

Folgende Farbkennzeichnung wird im mitgelieferten Netzkabel verwendet:

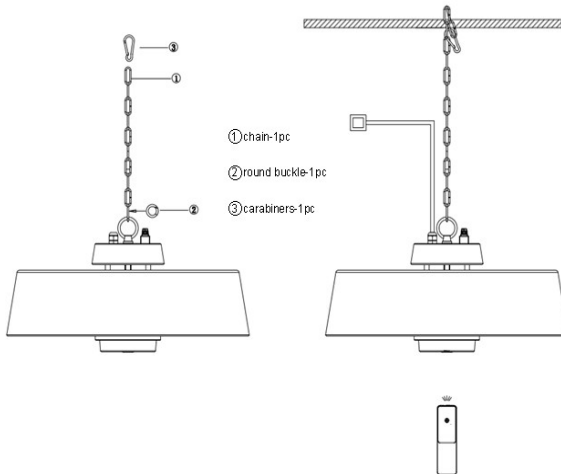
Das BRAUNE Kabel ist an die PHASE, stromführender Leiter („L“), das BLAUE Kabel an den NEUTRALLEITER („N“) und das GRÜNE / GELBE Kabel an den SCHUTZLEITER, ERDE („PE“) anzuschließen.

MONTAGEPOSITION:

Der Herschel HAWAII ist ein Mittelwellen-Infrarotstrahler, der für den Einsatz in kalten Innen- oder halbgeschützten Außenbereichen geeignet ist. Beim Einsatz im Freien oder in anderen Bereichen mit Luftbewegung/Wind kann sich die richtungsabhängige Infrarotausbreitung gegenüber den veröffentlichten Zahlen um 1/3 bis 1/2 verringern.

Der HAWAII muss mit dem Kettensatz an einer festen Decke aufgehängt und gesichert werden. Die Heizung darf keinem Regen oder Wassereinfall ausgesetzt sein.

DEUTSCH



Die Seiten und Enden der Heizung müssen immer mindestens 300 mm von der nächsten Wand, Decke oder anderen Bebauung entfernt sein. Das Gerät muss an der mitgelieferten Kette aufgehängt werden. Sie können die Kette um eine Leuchte wickeln und sie mit dem mitgelieferten Clip wieder an sich befestigen. Der Mindestabstand zur Decke ist hierbei einzuhalten.

Für alle Installationen muss sich der HAWAII in der Lage befinden, eine ordnungsgemäße und effiziente Nutzung zu ermöglichen, aber eine, die sicherstellt, dass heiße Teile nicht versehentlich berührt werden. Die Mindesteinbauhöhe des HAWAII über dem Boden beträgt 1,8 m. Unter keinen Umständen ist das Gerät mit

weniger als 1,8 m vom Boden entfernt zu installieren. Vorübergehende oder gelegentliche Erhöhungen wie Bühnen oder Plattformen sollten berücksichtigt und entsprechend angepasst werden.

HANDHABUNG WÄHREND DER INSTALLATION:

Achten Sie bei der Installation darauf, dass der Grill auf der Vorderseite der Heizung nicht berührt wird. Achten Sie darauf, alle Fingerspuren von der Heizung abzuwischen, bevor die Heizung zum ersten Mal eingeschaltet wird, da die Öle in Fingerabdrücken brennen und eine schnelle Verfärbung bestimmter Teile verursachen können.



ACHTUNG:

- Stellen Sie sicher, dass die Stromversorgung ausgeschaltet und kühl ist bevor sie das Gerät entfernen und bewegen möchten.
- Das mitgelieferte Netzkabel darf während des Betriebs nicht mit der Oberseite der Heizung in Berührung kommen.
- Die Heizung darf sich nicht unmittelbar über oder unter einer Steckdose befinden. Elektrische Anschlüsse müssen außerhalb der Gerätegrundfläche erfolgen, um einen Wärmestau zu vermeiden.
- Balken, Balken und Träger dürfen nicht geschnitten oder eingekerbt werden, um das Gerät zu installieren.
- Overhead-Heizungsaufsätze müssen in der Lage sein, das 4-fache des Gewichts des Geräts zu unterstützen (d. h. 14 kg oder 31 lbs)
- Diese Heizung ist nicht für die Einbauinstallation vorgesehen.
- Die Identifikationskennzeichnung und die Modellreferenz sollten nach der Montage sichtbar sein.
- Kabelisolierungen, die mit Teilen in Berührung kommen, die eine Temperatur von mehr als 50°C aufweisen, müssen beispielsweise durch eine Ummantelung der entsprechenden Temperatureinstufung geschützt werden.
- Stellen Sie sicher, dass die Kabel ordnungsgemäß gesichert sind und nicht von kleinen Kindern gezogen werden können.

ERSTBENUTZUNG:

Der Netzschalter auf der Rückseite (Oberseite) des HAWAII hat 3 Positionen:

- Position O (Aus)
- Position I (Remote-Bypass) • Position II (Remote control).

**VORSICHT:**

Der Netzschalter kann während des Auspackens und der Montage unbeabsichtigt auf Position I (Remote Bypass) umgeschaltet werden. Um Verbrennungen zu vermeiden, stellen Sie sicher, dass sich der Netzschalter in der AUS-Position (am Schalter **o** markiert) befindet, bevor Sie das Netz einschalten.

Position I. Um die Fernbedienung zu umgehen, schalten Sie den Schalter an der Heizung auf Position I. Wenn sich der Schalter in dieser Position befindet, schaltet sich die Heizung ein oder aus, je nachdem, ob sie mit Strom versorgt ist. Die Fernbedienung steuert die Heizung nicht, wenn sich der Schalter in Position I befindet. Verwenden Sie diese Einstellung, wenn Sie die Heizung fest mit einem Schaltgerät wie einem Druckknopf-Timer oder Thermostat bedienen möchten.

Position II. Um die Heizung mit der Fernbedienung zu verwenden, stellen Sie sicher, dass der Schalter der Heizung auf Position II geschaltet wird.

Legen Sie 2 x AAA Alkalibatterien in die Fernbedienung ein.

Die Fernbedienung bedient die Heizung nur aus der Ferne und zum Ein- oder Ausschalten. Es gibt keinen einstellbaren Wärmepegel. Alle Herschel (HAWAII) Fernbedienungen haben generell die gleiche Frequenz, so dass es möglich ist, mehrere Heizungen mit nur einer Fernbedienung zu steuern.

Bei der Erstinbetriebnahme oder wenn der Heizstrahler über einen längeren Zeitraum nicht benutzt wurde, kann Geruch oder Dampf aus dem Heizstrahler austreten. Dies ist aber ganz normal.

ERWEITERTE NUTZUNG:

Im Laufe der Zeit kann sich das Schutzgitter aufgrund von hohen Temperaturen, Luftverschmutzung und Fingerabdrücken verfärben.

Die Verfärbung beeinträchtigt weder die Leistung noch die Sicherheit des Heizstrahlers und ist keine Voraussetzung für einen Garantieaustausch.

WARTUNG:

Vermeiden Sie es, das vordere Schutzgitter des Heizstrahlers zu berühren und wischen Sie unbedingt Fingerabdrücke von diesen Teilen ab.

Vermeiden Sie es, eine kalte Lampe mit den Fingern zu berühren. Wischen Sie immer Fingerabdrücke ab, wenn Sie die Lampe versehentlich berühren. Rückstände von Fingerabdrücken können heiße Stellen auf der Lampenoberfläche verursachen und die Lebensdauer der Lampe verkürzen.

Der Heizstrahler kann mit einem weichen, feuchten Tuch abgewischt werden. Verwenden Sie keine scheuernden Reinigungsmittel, wenn Sie das Gerät reinigen. Verwenden Sie zum Reinigen der HAWAII KEINEN Alkohol, kein Benzin, keine Scheuermittel, Möbelpolitur oder raue Bürsten. Dies führt zu einer Beschädigung der Oberfläche des Heizstrahlers.

Das Auswechseln der Lampe sollte nur von entsprechend qualifiziertem Personal durchgeführt werden.

FEHLERBEHEBUNG:

Wenn die Heizung nicht mehr funktioniert, überprüfen Sie:

- Ob das Gerät eingeschaltet ist.
- Wenn der Schalter auf der Rückseite auf Position I geschaltet wird, leuchtet eine Kontrolllampe.
- Wird der Schalter auf der Rückseite alternativ auf Position II geschaltet, wird per Fernbedienung bedient und die Kontrolllampe leuchtet.

- Überprüfen Sie, ob die Batterien in der Fernbedienung ihre Leistung erbringen.
- Überprüfen Sie den Zustand der Lampe (nicht gebrochen oder geschwärzt). Bitte wenden Sie sich an Ihren HerschelHändler, um die Lampe zu ersetzen.

ENTSORGUNG:

Dieser Heizstrahler ist ein Elektrogerät und darf nicht im Hausmüll entsorgt werden. Ein hoher Prozentsatz des Heizstrahlers kann recycelt werden. Bitte behandeln Sie ihn als Elektroschrott und recyceln Sie ihn gemäß den örtlichen Vorschriften.

WARRANTY:

Registrieren Sie Ihr Produkt hier:

<https://www.herschel-infrarotheizung.de/kundendienst/garantieregistrierung/>

Der Herschel HAWAII hat eine zweijährige Garantie auf Material- oder Verarbeitungsfehlern ab Kaufdatum, ausgenommen der Lampe. Im unwahrscheinlichen Fall eines Defekts innerhalb dieser Zeit muss das Gerät zur Reparatur oder zum Austausch an den Lieferanten zurückgeschickt werden. Die Garantie ist ungültig, wenn die korrekten Montageanweisungen, wie sie in dieser Broschüre angegeben sind, nicht befolgt wurden. Ausführliche Informationen finden Sie in den Garantiebestimmungen von Herschel Infrared Ltd.

Siehe <https://www.herschel-infrarotheizung.de>

Notieren Sie sich Ihre Seriennummer für zukünftige Referenzen:

TECHNISCHE INFORMATIONEN:

Nennleistung:	2000W bei 220-240V
Heizelement:	Langlebig und blendarmer Halogen-Carbon Heizstrahler
Dimensionen:	Ø 50 x 25 cm
Montageposition:	Decke
Aufwärmzeit:	5 - 10 Sekunden
Spitzenwellenlänge:	2 - 5 m
Gewicht:	3.5kg
Garantie:	2 Jahre (ohne Glühlampe & Fernbedienung)
Schutz:	IP44

ELEKTRISCHE AUSRÜSTUNG:



Elektrische Altgeräte dürfen nicht mit dem Hausmüll entsorgt werden, sondern müssen bei den örtlichen Sammelstellen oder dem Elektrohandel zur fachgerechten Entsorgung übergeben werden.

- Nähere Informationen erhalten Sie bei Ihrem kommunalen Entsorgungsbetrieb.
- Bitte recyceln Sie, sofern entsprechende Möglichkeiten vorhanden sind.

WICHTIGER HINWEIS FÜR DEN KÄUFER:

Bevor Sie das Produkt verwenden, sollten Sie dessen Eignung für den vorgesehenen Verwendungszweck prüfen. HERSCHEL INFRARED LTD lehnt Gewährleistungen und Garantien der Marktgängigkeit und Eignung für einen bestimmten Zweck ausdrücklich ab. In keinem Fall ist HERSCHEL INFRARED LTD verantwortlich für direkte, indirekte, spezielle, zufällige oder sonstige FolgeSchäden, die sich aus der Verwendung des Produkts ergeben, einschließlich, aber nicht beschränkt auf, vertragliche oder verschuldensunabhängige Haftung.

BELANGRIJKE VEILIGHEIDSMATREGELEN

LEES DEZE INSTRUCTIES ZORGVULDIG DOOR EN BEWAAR DEZE VOOR TOEKOMSTIGE REFERENTIE.

Het niet naleven van deze instructies maakt de garantie ongeldig. Er kan geen aansprakelijkheid worden aanvaard voor enige schade veroorzaakt door het niet naleven van deze instructies of door oneigenlijk gebruik of verkeerde behandeling.

Dit apparaat kan een bron van mogelijke schokken zijn.

Niet uit elkaar halen. Geen door de gebruiker te onderhouden onderdelen binnenin.

Bron van mogelijke ontsteking.



WAARSCHUWING

OM HET RISICO OP BRAND, ELEKTRISCHE SCHOK OF LETSEL TE VERMINDEREN:

1. Haal het apparaat uit de verpakking en controleer of het in goede staat is voordat u het installeert en in gebruik neemt.
2. Stuur de verpakking op voor recycling. Laat kinderen **NIET** spelen met plastic zakken of andere delen van de verpakking.
3. **LET OP:** Risico op elektrische schok
 - a. Dit apparaat moet worden losgekoppeld van de stroombron tijdens installatie- of servicewerkzaamheden en bij vervanging.
 - b. Gebruik deze kachel **NIET** in de directe omgeving van een bad, douche of zwembad of bubbelbad waar hij in een bak vol water zou kunnen vallen.
 - c. Schakelaars en andere bedieningselementen mogen zich niet binnen het bereik van een persoon bevinden in een bad, zwembad, bubbelbad of douche.
 - d. Raak deze kachel of de bedieningselementen **NIET** aan met natte handen.
 - e. Laat stroomkabels **NIET** ondergedompeld worden in water of een andere vloeistof.
 - f. Open of probeer de kachel **NIET** zelf te repareren. Onderhoud mag alleen worden uitgevoerd door gekwalificeerd personeel.
4. Om oververhitting en mogelijk brandgevaar te voorkomen, mag u de kachel in geen geval afdekken. Als de kachel per ongeluk wordt afgedekt tijdens het gebruik, zet hem dan onmiddellijk uit en verwijder alle vreemde voorwerpen die de kachel hebben bedekt of vast komen te zitten in de grill.
5. De unit moet worden geïnstalleerd met een minimale vrije ruimte van 1800 mm (71") tot de vloer en 300 mm (12") vrije ruimte aan de boven- en zijkanten van de kachel.
6. Raak de kachel **NIET** aan wanneer deze in gebruik is. Delen van de verwarmers kunnen tijdens het gebruik de 200°C / 392°F overschrijden. Contact met de verwarming tijdens bedrijf kan ernstige brandwonden veroorzaken. Raak de kachel niet aan tijdens of gedurende 10 minuten na gebruik.
7. Gebruik de kachel **NIET** als het netsnoer beschadigd is. Deze moet worden vervangen door de fabrikant, diens servicevertegenwoordiger of gelijkaardige gekwalificeerde personen om gevaar te voorkomen.
8. Gebruik de kachel **NIET** om materialen te ontsteken. Werk **NIET** op locaties met benzine, ontvlambare vloeistoffen of andere vluchtige stoffen.



9. Installeer deze kachel **NIET** in de buurt van of wijzend naar ontvlambare objecten binnen 1 meter of waar gordijnen, handdoeken of andere ontvlambare voorwerpen op de kachel kunnen worden geblazen.
10. Deze kachel mag alleen worden gebruikt voor het verwarmen van mensen buiten of binnen in een niet-afgesloten ruimte. De **HAWAII** mag niet worden gebruikt door kinderen of personen met verminderde fysieke, zintuiglijke of mentale vermogens, of gebrek aan ervaring of kennis, ongeacht of ze instructie hebben gekregen of onder toezicht staan. Houd kinderen uit de buurt en laat ze niet zonder toezicht in de buurt van het apparaat.
11. Alle bedieners mogen het apparaat alleen in-/uitschakelen op voorwaarde dat het is geplaatst of geïnstalleerd in de beoogde normale bedrijfspositie en dat ze onder toezicht staan of instructies hebben gekregen met betrekking tot het veilige gebruik van het apparaat en de bijbehorende gevaren begrijpen. Kinderen mogen het apparaat niet aansluiten, inschakelen of regelen of gebruikersonderhoud uitvoeren, inclusief schoonmaken.
12. Laat de kachel **NIET** onbeheerd werken.
13. Plaats **NOOIT** uw handen onder het verwarmingselement tijdens het gebruik.
14. **BELANGRIJK:** Zorg ervoor dat de voedingsspanning niet hoger is dan 245 Volt.

BEWAAR DEZE INSTRUCTIES.

BESCHERMING VAN HET BINNENDRANG VAN HET WATER:

Herschel HAWAII is geclassificeerd volgens een standaard IP44 (spatwaterdicht). Geschikt voor buitengebruik.

Als de HAWAII wordt opgehangen of geïnstalleerd aan een luifel/dak, moet er altijd 300 mm ruimte worden vrijgehouden.

Installatie in ruimtes zoals buitenbadkamers, zwembaden of bubbelbaden moet worden uitgevoerd door een voldoende gekwalificeerde installateur en voldoen aan de plaatselijke elektrische veiligheidseisen.

Bij twijfel niet installeren. Herschel Infrared Ltd is niet aansprakelijk voor verlies, schade of letsel veroorzaakt of als gevolg van onvoldoende montage of onjuiste plaatsing van verwarmers in de buurt van waterbronnen.

ELEKTRISCHE INFORMATIE:

De Hawaii 2000 kan worden aangesloten op een waterdicht stopcontact. Elk verlengsnoer dat wordt gebruikt, moet voldoende capaciteit hebben om de stroom te voeren die door de verwarming wordt vereist, zoals weergegeven in tabel 1. Alle stekkers, stopcontacten en schakelaars die bedoeld zijn voor gebruik buitenshuis, moeten een geschikte bescherming hebben tegen het binnendringen van water.

Als alternatief kan de stekker worden verwijderd en kan de unit worden aangesloten op vaste netbedrading. Installaties met vaste bedrading mogen alleen worden uitgevoerd door competente personen of een gekwalificeerde elektricien in overeenstemming met de nationale voorschriften en de unit moet worden geaard. De elektrische voeding naar de unit moet worden geleverd door een stroombeveiligingsapparaat aan te sluiten dat geschikt is voor de elektrische classificatie van de unit in overeenstemming met Tabel 1 en te zorgen voor ont koppeling in beide polen. Alle vaste bedrading moet voldoende capaciteit hebben om de door de verwarming vereiste stroom te voeren.

Koppel de kachel altijd los van de stroom wanneer deze niet in gebruik is.

Tabel 1. Elektrische specificatie

Model	HAWAII 2000
Spanning	220 – 240V
Nominaal vermogen:	2000 Watt
Huidig	9 Ampère
Frequentie	50 Hz
Kabel Kleur:	Bruin, Blauw, Geel/Groen

De montagepositie van de unit moet ervoor zorgen dat mechanische schade aan de flexibele kabel onwaarschijnlijk is. Overtollige kabel moet worden vastgezet en mag de hete delen van de kachel niet raken en mag niet in het verwarmde gebied komen. Laat de kabel niet fungeren als een leiding voor water in de kabelwartel aan de achterkant van de verwarmers.

Kleurcodering gebruikt in de meegeleverde netkabel:

De BRUINE draad moet worden aangesloten op LIVE ('L'), de BLAUWE draad op NEUTRAAL ('N') en de GROEN/GELE draad op AARDE ('E').

MONTAGE POSITIE:

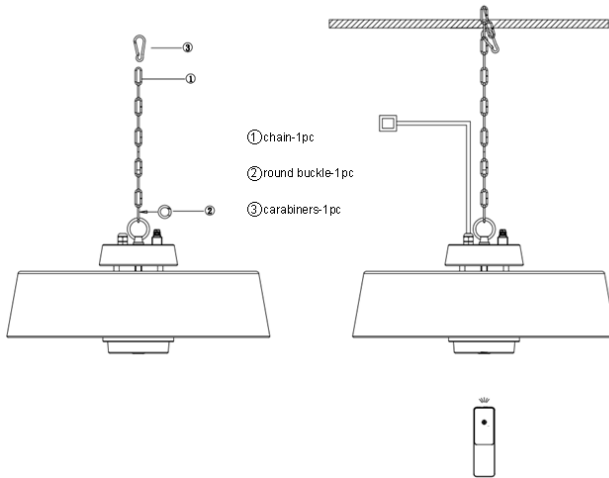
De Herschel HAWAII is een middengolf infraroodstraler die geschikt is voor gebruik in koude binnen- of halfbeschutte buitenruimtes. Bij gebruik buitenshuis of andere gebieden met luchtbeweging/wind, kan de directionele infraroodspreiding met 1/3 tot 1/2 verminderen ten opzichte van gepubliceerde cijfers.

De HAWAII moet worden opgehangen met behulp van de meegeleverde kettingset aan een stevige structuur die deel uitmaakt van een overkapping. De kachel mag niet worden blootgesteld aan regen of binnendringend water van bovenaf.

De zijkanalen en uiteinden van de kachel moeten altijd minimaal 300 mm (12") verwijderd zijn van de dichtstbijzijnde muur, plafond of andere constructie. De unit moet worden opgehangen met behulp van de ketting (meegeleverd). U kunt de ketting om een armatuur wikkelen en deze weer vastklikken met behulp van de meegeleverde gespclip, zolang de kachel maar 300 mm van het plafond kan hangen.

NEDERLANDS

Voor alle installaties moet de HAWAII op een plaats worden geplaatst om correct en efficiënt gebruik mogelijk te maken, maar die ervoor zorgt dat hete onderdelen niet per ongeluk worden aangeraakt. De minimale installatiehoogte van de HAWAII boven de vloer is 1,8 m (71"). De unit mag in geen geval op minder dan 1,8 m (71") van de vloer worden geïnstalleerd. Er moet rekening worden gehouden met tijdelijke of incidentele constructies zoals podia of platforms en dienovereenkomstig worden aangepast.



HANTERING TIJDENS DE INSTALLATIE:

Wees voorzichtig bij het installeren om te voorkomen dat u de grill aan de voorkant van de kachel aanraakt. Veeg eventuele vingerafdrukken van de kachel voordat de kachel voor het eerst wordt ingeschakeld, omdat de oliën in vingerafdrukken kunnen verbranden en snelle verkleuring van bepaalde onderdelen kunnen veroorzaken.



VOORZICHTIGHEID:

- Zorg ervoor dat de netvoeding is **UITGESCHAKELD** en dat het apparaat is afgekoeld voordat u met de installatie begint.
- Het meegeleverde netsnoer mag tijdens bedrijf niet in contact komen met het bovenoppervlak van de kachel.
- De verwarming mag niet direct boven of onder een stopcontact worden geplaatst. Elektrische aansluitingen moeten buiten het oppervlak van de unit worden gemaakt om warmteontwikkeling in de aansluiting te voorkomen.
- Balken, balken en spanten mogen niet worden doorgesneden of ingekeept om het apparaat te installeren.
- Toebehoren voor overheadverwarming moeten 4x het gewicht van de unit kunnen dragen (d.w.z. 14 kilogram of 31 lbs)
- Deze kachel is niet bedoeld voor inbouwmontage.
- Het identificatiemerk en de modelreferentie moeten na installatie zichtbaar zijn.
- De isolatie van de vaste bedrading die in contact komt met onderdelen met een temperatuurstijging van meer dan 50°C, moet worden beschermd, bijvoorbeeld door een kous met een geschikte temperatuurclassificatie.
- Zorg ervoor dat de draden goed vastzitten en niet door kleine kinderen kunnen worden getrokken.

EERSTE GEBRUIK:

De aan/uit-schakelaar aan de achterkant (bovenkant) van de HAWAII heeft 3 standen:

- Positie O (Uit)
- Positie I (bypass op afstand)
- Positie II (afstandsbediening).



VOORZICHTIGHEID:

De aan/uit-schakelaar kan tijdens het uitpakken en installeren onbedoeld in stand I (Remote Bypass) worden geschakeld. Om brandwonden te voorkomen, moet u ervoor zorgen dat de aan/uit-schakelaar in de UIT-stand staat (gemarkeerd met O op de schakelaar) voordat u de netvoeding inschakelt.

Stand I. Om de afstandsbediening te omzeilen, zet u de schakelaar op de kachel in stand I. Als de schakelaar in deze stand staat, gaat de kachel aan of uit, afhankelijk van of er stroom op staat. De afstandsbediening regelt de kachel niet wanneer de schakelaar in stand I staat. Gebruik deze waar u de kachel hard wilt aansluiten op een schakelapparaat zoals een drukknoptimer of thermostaat.

Positie II. Om de kachel met de afstandsbediening te gebruiken, moet u ervoor zorgen dat de schakelaar van de kachel in stand II staat.

Plaats 2 x AAA-alkalinebatterijen in de afstandsbediening.

De afstandsbediening bedient de verwarming alleen op afstand aan of uit. Er is geen instelbaar warmteniveau. Alle Herschel HAWAII-afstandsbedieningen delen echter dezelfde frequentie, dus het is mogelijk om meerdere kachels te bedienen met slechts één afstandsbediening.

Bij het eerste gebruik of als het gedurende een langere periode niet is gebruikt, kan er geur of damp uit de kachel komen. Dit is normaal.

UITGEBREID GEBRUIK:

Na verloop van tijd kan de grill verkleuren door hoge temperaturen, verontreinigingen in de lucht en vingerafdrukken.

Verkleuring heeft geen invloed op de prestaties of veiligheid van de kachel en is geen voorwaarde voor vervanging onder de garantie.

GEBRUIKERSONDERHOUD:

Raak de voorgrill aan de voorkant van de kachel niet aan en veeg vingerafdrukken van deze onderdelen.

Raak een koude lamp niet met uw vingers aan. Veeg altijd vingerafdrukken weg als u de lamp per ongeluk aanraakt. Resten van vingerafdrukken kunnen hotspots op het lampoppervlak veroorzaken en de levensduur van de lamp verkorten.

De kachel kan worden afgeveegd met een zachte, vochtige doek. Gebruik geen schurende reinigingsmiddelen om het apparaat schoon te maken. Gebruik GEEN alcohol, benzine, schuurmiddelen, meubelpoets of ruwe borstels om de HAWAII schoon te maken. Dit veroorzaakt een verslechtering van het oppervlak van de kachel.

De lamp die in de Herschel HAWAII wordt gebruikt, heeft een lange levensduur. Het vervangen van de lamp mag alleen worden uitgevoerd door gekwalificeerd personeel.

PROBLEEMOPlossen:

Als de kachel niet meer werkt, controleer dan:

- De stroom naar het apparaat is ingeschakeld.

NEDERLANDS

- Als de schakelaar op de achterunit in stand I wordt geschakeld, gaat de warmtelamp branden.
- Als alternatief, als de schakelaar op de achtereenheid op Positie II wordt geschakeld, gaat de warmtelamp branden wanneer de afstandsbediening wordt bediend.
- Controleer of er nieuwe batterijen in de afstandsbediening zitten.
- Controleer de staat van de lamp (niet kapot of zwartgeblakerd). Raadpleeg uw Herschel-dealer voor het vervangen van de lamp.

BESCHIKBAARHEID:

Deze kachel is een elektrisch product en mag niet met het huisvuil worden weggegooid. Een hoog percentage van de kachel kan worden gerecycled. Behandel het als elektrisch afval en recycle het in overeenstemming met de lokale regelgeving.

GARANTIE:

Registreer uw product hier:

<https://www.herschel-infrarood.nl/klantenservice/garantie-registratie/> De Herschel HAWAII heeft een garantie van twee jaar vanaf de aankoopdatum tegen defecten als gevolg van materiaal- of fabricagefouten, exclusief de lamp en de afstandsbediening. In het onwaarschijnlijke geval dat het apparaat binnen deze tijd defect raakt, moet het apparaat worden teruggestuurd naar de leverancier voor reparatie of vervanging. De garantie vervalt indien de juiste installatie-instructies zoals vermeld in deze folder niet zijn opgevolgd. Raadpleeg het garantiebeleid van Herschel Infrared Ltd voor volledige details.

Zie <https://www.herschel-infrarood.nl/> Noteer uw serienummer voor toekomstig gebruik:

TECHNISCHE INFORMATIE:

Nominaal vermogen:	2000W. 220-240V
Verwarmingselement:	Long Life warme gloed kooldraad verwarmingselement
Dimensies:	Ø 50 x 25 cm
Montagepositie:	Plafond
Opwarmingstijd:	5 - 10 seconden
Piekgolflengte:	2 - 5µm
Gewicht:	3,5 kg
Garantie:	2 jaar (exclusief lamp en afstandsbediening)
Bescherming:	IP44

ELEKTRISCHE APPARATUUR:



Afgedankte elektrische producten mogen niet met het huisvuil worden weggegooid. Gelieve te recyclen waar faciliteiten aanwezig zijn.

BELANGRIJKE MEDEDELING VOOR KOPER:

Voor dat u het product gebruikt, dient u te bepalen of het geschikt is voor het beoogde gebruik. HERSCHEL INFRARED LTD wijst uitdrukkelijk impliciete garanties en voorwaarden van verkoopbaarheid en geschiktheid voor een bepaald doel af. In geen geval zal HERSCHEL INFRARED LTD aansprakelijk zijn op grond van enige juridische theorie, inclusief maar niet beperkt tot contract- of strikte aansprakelijkheid, voor enige directe, indirecte speciale, incidentele of gevolgschade die voortvloeit uit het gebruik van het product.

IMPORTANTI PRECAUZIONI DI SICUREZZA

LEGGERE ATTENTAMENTE QUESTE ISTRUZIONI E CONSERVARLE PER FUTURO RIFERIMENTO.

La mancata osservanza di queste istruzioni invaliderà la garanzia. Nessuna responsabilità può essere accettata per eventuali danni causati dal mancato rispetto di queste istruzioni o per uso improprio o cattiva gestione.

Questa unità può essere fonte di possibile shock.

Non smontare. Nessuna parte riparabile dall'utente all'interno.

Fonte di possibile accensione.



AVVERTIMENTO

PER RIDURRE IL RISCHIO DI INCENDIO, SCOSSE ELETTRICHE O LESIONI:

Rimuovere l'unità dalla confezione e controllarla per assicurarsi che sia in buone condizioni prima di installarla e metterla in funzione.

1. Invia l'imballaggio da riciclare. **NON** lasciare che i bambini giochino con sacchetti di plastica o altre parti della confezione.
2. **ATTENZIONE:** rischio di scosse elettriche
3. Questo apparecchio deve essere scollegato dalla sua fonte di alimentazione durante l'installazione o le attività di assistenza e durante la sostituzione.
4. **NON** utilizzare questo riscaldatore nelle immediate vicinanze di un bagno, doccia o piscina o vasca idromassaggio dove potrebbe cadere in un contenitore pieno d'acqua.
5. Interruttori e altri comandi non devono essere alla portata di una persona in vasca, piscina, vasca idromassaggio o doccia.
6. **NON** toccare questo riscaldatore o i suoi comandi con le mani bagnate.
7. **NON** permettere che i cavi di alimentazione vengano immersi in acqua o altri liquidi.
8. **NON** aprire o tentare di riparare da soli il riscaldatore. La manutenzione deve essere eseguita solo da personale qualificato.
9. Per evitare il surriscaldamento e il potenziale rischio di incendio, **NON** coprire in nessun caso il riscaldatore. Se il riscaldatore dovesse accidentalmente venire coperto durante il funzionamento, spegnerlo immediatamente e rimuovere eventuali corpi estranei che hanno coperto il riscaldatore o si sono depositati nella griglia.
10. L'unità deve essere installata con una distanza minima di 1800 mm (71") dal pavimento e di 300 mm (12") sulla parte superiore e sui lati del riscaldatore.
11. **NON** toccare il riscaldatore quando è in uso. Parti del riscaldatore possono superare i 200°C / 392°F durante il funzionamento. Il contatto con il riscaldatore durante il funzionamento può causare gravi ustioni. Non toccare il riscaldatore durante o per 10 minuti dopo il funzionamento.
12. **NON** utilizzare il riscaldatore se il cavo di alimentazione è danneggiato. Questo deve essere sostituito dal produttore, dal suo agente di servizio o da persone similmente qualificate per evitare pericoli.
13. **NON** utilizzare il riscaldatore per accendere materiali. **NON** operare in luoghi contenenti benzina, liquidi infiammabili o altre sostanze volatili.
14. **NON** installare questo riscaldatore vicino o rivolto verso oggetti infiammabili entro 1 metro o dove tende, asciugamani o altri oggetti infiammabili possono essere soffiati sul riscaldatore.



15. Questo riscaldatore deve essere utilizzato esclusivamente per il riscaldamento di persone all'aperto o al chiuso in uno spazio non chiuso. L'HAWAII non deve essere utilizzato da bambini o persone con ridotte capacità fisiche, sensoriali o mentali, o prive di esperienza o conoscenza, indipendentemente dal fatto che abbiano ricevuto istruzioni o siano sotto supervisione. I bambini devono essere tenuti lontani e non devono essere lasciati incustoditi intorno all'unità.
16. Tutti gli operatori devono accendere/spengere l'apparecchio solo a condizione che sia stato posizionato o installato nella normale posizione di funzionamento prevista e che abbiano ricevuto supervisione o istruzioni sull'uso dell'apparecchio in modo sicuro e comprendano i rischi coinvolti. I bambini non devono collegare, accendere o regolare l'apparecchio o eseguire la manutenzione dell'utente, inclusa la pulizia.
17. **NON** lasciare il riscaldatore in funzione incustodito.
18. **NON** mettere **MAI** le mani sotto l'elemento riscaldante durante il funzionamento.
19. **IMPORTANTE:** assicurarsi che la tensione di alimentazione non superi i 245 Volt.

CONSERVA QUESTE ISTRUZIONI.

PROTEZIONE DALL'INGRESSO D'ACQUA:

Herschel HAWAII è classificato secondo uno standard IP44. Adatto per uso esterno.

Se l'HAWAII è appeso o installato su una tettoia/tetto, è necessario mantenere sempre una distanza di 300 mm.

L'installazione in aree come bagni esterni, piscine o vasche idromassaggio deve essere eseguita da un installatore adeguatamente qualificato e rispettare i requisiti di sicurezza elettrica locali.

In caso di dubbio, non installare. Herschel Infrared Ltd non sarà responsabile per eventuali perdite, danni o lesioni causati o risultanti da un montaggio inadeguato o da un posizionamento errato dei riscaldatori vicino a fonti d'acqua.

INFORMAZIONI ELETTRICHE:

L'Hawaii 2000 può essere collegato a una presa impermeabile. Qualsiasi cavo di prolunga utilizzato deve avere una capacità sufficiente per trasportare la corrente richiesta dal riscaldatore come mostrato nella Tabella 1. Tutte le spine, le prese e gli interruttori destinati all'uso all'aperto devono avere un'adeguata protezione dall'ingresso di acqua.

In alternativa è possibile rimuovere la spina e collegare l'unità al cablaggio di rete fisso. Gli impianti di cablaggio fisso devono essere eseguiti solo da persone competenti o da un elettricista qualificato secondo le normative nazionali e l'unità deve essere collegata a terra. L'alimentazione elettrica dell'unità deve essere fornita collegandosi a un dispositivo di protezione della corrente adatto alla potenza elettrica dell'unità secondo la tabella 1 e prevedendo la disconnessione in entrambi i poli. Tutti i cablaggi fissi devono avere una capacità sufficiente per trasportare la corrente richiesta dal riscaldatore.

Sc Collegare sempre il riscaldatore dall'alimentazione quando non è in uso.

Tabella 1. Specifiche elettriche

Modello	HAWAII 2000
Voltaggio	220 – 240V
Potenza nominale	2000 Watt
Attuale	9 Ampere
Frequenza	50 Hz
Colore del cavo	Marrone, Blu, Giallo/Verde

La posizione di montaggio dell'unità deve garantire che qualsiasi danno meccanico al cavo flessibile sia improbabile. Il cavo in eccesso deve essere fissato e non deve toccare le parti calde del riscaldatore e non deve invadere l'area riscaldata. Non lasciare che il cavo funga da condotto per l'acqua nel pressacavo sul retro del riscaldatore.

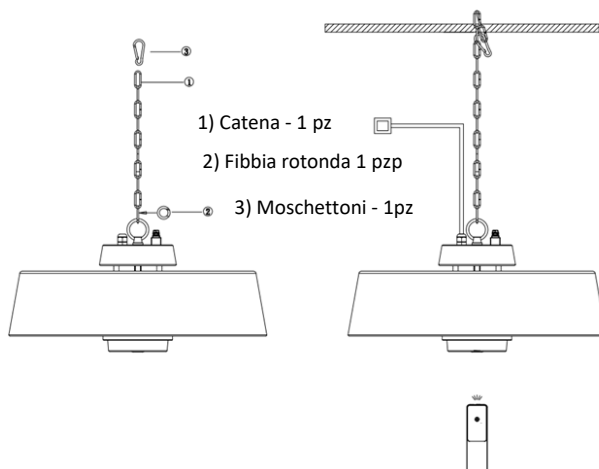
Codifica a colori utilizzata nel cavo di alimentazione in dotazione:

Il filo MARRONE deve essere collegato a LIVE ('L'), il filo BLU al NEUTRO ('N') e il filo VERDE/GIALLO a TERRA ('E').

POSIZIONE DI MONTAGGIO:

Herschel HAWAII è un riscaldatore a infrarossi a onde medie adatto per l'uso in aree fredde interne o semi-proteggiate all'aperto. Quando viene utilizzato all'aperto o in altre aree con movimento d'aria/vento, la diffusione dell'infrarosso direzionale può ridursi da 1/3 a 1/2 rispetto alle cifre pubblicate.

L'HAWAII deve essere sospeso utilizzando il kit catena fornito da una struttura solida facente parte di una pensilina aerea. Il riscaldatore non deve essere esposto a pioggia o infiltrazioni d'acqua dall'alto.



I lati e le estremità del riscaldatore devono essere sempre distanti almeno 300 mm (12") dalla parete, dal soffitto o da altre strutture più vicine. L'unità deve essere sospesa utilizzando la catena (in dotazione). È possibile avvolgere la catena attorno a un apparecchio e fissarla su se stessa utilizzando la clip con fibbia fornita, purché il riscaldatore possa essere appeso a 300 mm dal soffitto.

Per tutte le installazioni, l'HAWAII deve essere posizionato in una posizione tale da consentirne un uso corretto ed efficiente ma che garantisca che le parti calde non vengano toccate accidentalmente. L'altezza minima di installazione dell'HAWAII dal pavimento è di 1,8 m (71"). In nessun caso l'unità deve essere installata a meno di 1,8 m

(71") dal pavimento. Dovrebbe essere presa in considerazione qualsiasi struttura temporanea o occasionale come palchi o piattaforme e adattata di conseguenza.

MOVIMENTAZIONE

DURANTE L'INSTALLAZIONE:

Fare attenzione durante l'installazione per evitare di toccare la griglia sulla parte anteriore del riscaldatore. Assicurarsi di eliminare eventuali impronte di dita dal riscaldatore prima di accenderlo per la prima volta, poiché gli oli contenuti nelle impronte digitali possono bruciare e causare un rapido scolorimento di alcune parti.



ATTENZIONE:

- Assicurarsi che l'alimentazione di rete sia DISATTIVATA e che l'unità sia fredda prima di iniziare l'installazione.
- Il cavo di rete in dotazione non deve entrare in contatto con la superficie superiore del riscaldatore durante il funzionamento.
- Il riscaldatore non deve essere posizionato immediatamente sopra o sotto una presa di corrente. I collegamenti elettrici devono essere effettuati al di fuori dell'ingombro dell'unità per evitare l'accumulo di calore nel collegamento.
- Non devono essere tagliati o intagliati travetti, travi e travicelli per installare l'apparecchio.
- Gli accessori del riscaldatore a soffitto devono essere in grado di supportare 4 volte il peso dell'unità (ovvero 14 chilogrammi o 31 libbre)
- Questo riscaldatore non è destinato all'installazione ad incasso.
- Il marchio di identificazione e il riferimento del modello dovrebbero essere visibili dopo l'installazione.
- L'isolamento del cablaggio fisso che venga a contatto con parti con sovratemperatura superiore a 50°C deve essere protetto, ad esempio, mediante guaina di adeguata temperatura nominale.
- Assicurarsi che i cavi siano fissati correttamente e che non possano essere tirati da bambini piccoli.

UTILIZZO INIZIALE:

L'interruttore di alimentazione sul retro (lato superiore) dell'HAWAII ha 3 posizioni:

- Posizione O (Off)
- Posizione I (bypass remoto)
- Posizione II (Telecomando).



ATTENZIONE:

L'interruttore di alimentazione può passare involontariamente alla posizione I (bypass remoto) durante il disimballaggio e l'installazione. Per evitare qualsiasi possibilità di ustione, assicurarsi che l'interruttore di alimentazione sia in posizione OFF (contrassegnato con O sull'interruttore) prima di attivare l'alimentazione di rete.

Posizione I. Per escludere il telecomando, portare l'interruttore del riscaldatore in posizione I. Quando l'interruttore è in questa posizione, il riscaldatore si accenderà o si spegnerà a seconda che sia alimentato. L'unità di controllo remoto non controllerà il riscaldatore quando l'interruttore è in posizione I. Utilizzare questo quando si desidera collegare il riscaldatore a un dispositivo di commutazione come un timer a pulsante o un termostato.

Posizione II. Per utilizzare il riscaldatore con il telecomando, assicurarsi che l'interruttore del riscaldatore sia in posizione II.

Inserire 2 batterie alcaline AAA nel telecomando.

Il telecomando comanda l'accensione o lo spegnimento del riscaldatore solo a distanza. Non esiste un livello di calore regolabile. Tuttavia, tutti i telecomandi Herschel HAWAII condividono la stessa frequenza, quindi è possibile controllare più riscaldatori con un solo telecomando.

Potrebbero esserci odori o vapori dal riscaldatore al primo utilizzo o se non è stato utilizzato per un lungo periodo. È normale.

UTILIZZO ESTESO:

Nel tempo la griglia può scolorire a causa delle alte temperature, dei contaminanti presenti nell'aria e delle impronte digitali.

Lo scolorimento non influirà sulle prestazioni o sulla sicurezza del riscaldatore e non è una condizione per la sostituzione in garanzia.

MANUTENZIONE UTENTE:

Evitare di toccare la griglia anteriore sulla parte anteriore del riscaldatore e assicurarsi di rimuovere le impronte digitali da queste parti.

Evita di toccare una lampada fredda con le dita. Eliminare sempre le impronte digitali se si tocca accidentalmente la lampada. I residui delle impronte digitali possono causare punti caldi sulla superficie della lampada e ridurre la durata della lampada.

Il riscaldatore può essere pulito con un panno morbido inumidito. Non utilizzare detergenti abrasivi per pulire l'unità. **NON** utilizzare alcol, benzina, detergenti abrasivi, lucidanti per mobili o spazzole ruvide per pulire l'HAWAII. Ciò causerà il deterioramento della superficie del riscaldatore.

La lampada utilizzata nell'Herschel HAWAII è di lunga durata. La sostituzione della lampada deve essere effettuata solo da personale adeguatamente qualificato.

RISOLUZIONE DEI PROBLEMI:

Se il riscaldatore smette di funzionare controllare:

- L'unità è alimentata.
- Se l'interruttore sull'unità posteriore è in posizione I, la spia di riscaldamento si accenderà.
- In alternativa, se l'interruttore sull'unità posteriore è in posizione II, la spia di riscaldamento si accenderà quando si aziona il telecomando.
- Verificare che ci siano batterie nuove nel telecomando.
- Verificare lo stato della lampada (non rotta o annerita). Fare riferimento al proprio rivenditore Herschel per la sostituzione della lampada.

DISPOSIZIONE:

Questo riscaldatore è un prodotto elettrico e non deve essere smaltito con i rifiuti domestici. Un'alta percentuale del riscaldatore può essere riciclata. Si prega di trattare come rifiuti elettrici e riciclare in conformità con le normative locali.

GARANZIA:

Registra qui il tuo prodotto:

<https://www.herschel-infrarossi.it/assistenza-clienti/registrazione-della-garanzia/>

Herschel HAWAII è garantito contro guasti dovuti a materiali o lavorazione difettosi per 12 mesi dalla data di acquisto, escluse le lampade. Nell'improbabile caso di guasto dell'unità entro questo tempo, l'unità deve essere restituita al fornitore per la riparazione o la sostituzione. I costi di ispezione, rimozione o installazione sono espressamente esclusi dalla garanzia e Herschel non si assume alcuna responsabilità al riguardo. La garanzia non è valida se non sono state rispettate le corrette istruzioni di installazione riportate in questo foglio. Fare riferimento alla politica di garanzia di Herschel Infrared Ltd per tutti i dettagli.

Vedere <https://www.herschel-infrarossi.it/> Annotare il numero di serie per riferimento futuro:

INFORMAZIONI TECNICHE:

Potenza nominale:	2000W. 220-240V
Termosifone:	Lampada riscaldante a filamento di carbonio a bagliore caldo a lunga durata
Dimensioni:	Ø 50 x 25 cm
Posizione di montaggio:	Soffitto
Tempo di riscaldamento:	5 - 10 secondi
Lunghezza d'onda di picco:	2 - 5µm
Peso:	3,5 kg
Garanzia:	2 anni (escluso lampada e telecomando)
Protezione:	IP44

MATERIALE ELETTRICO:



I prodotti elettrici di scarto non devono essere smaltiti con i rifiuti domestici. Si prega di riciclare dove esistono strutture.



AVVISO IMPORTANTE PER L'ACQUIRENTE:

Prima di utilizzare il prodotto, è necessario determinarne l'idoneità all'uso previsto. HERSCHEL INFRARED LTD esclude espressamente garanzie e condizioni implicite di commerciabilità e idoneità per uno scopo particolare. In nessun caso HERSCHEL INFRARED LTD sarà ritenuta responsabile in base a qualsiasi teoria legale, incluso ma non limitato alla responsabilità contrattuale o oggettiva, per eventuali danni diretti, indiretti speciali, incidentali o consequenziali derivanti dall'uso del prodotto.

PRECAUCIONES DE SEGURIDAD IMPORTANTES

LEA ESTAS INSTRUCCIONES DETENIDAMENTE Y GUARDE PARA FUTURAS REFERENCIAS.

El incumplimiento de estas instrucciones invalidará la garantía. No se aceptará ninguna responsabilidad por los daños causados por el incumplimiento de estas instrucciones o por un uso inadecuado o un mal manejo. Esta unidad puede ser una fuente de posibles descargas. No desarmar. En el interior no hay piezas que pueda reparar el usuario. Fuente de posible ignición.



ADVERTENCIA

PARA REDUCIR EL RIESGO DE INCENDIO, DESCARGA ELÉCTRICA O LESIONES:

- 1) Saque la unidad de su embalaje y verifique que esté en buenas condiciones antes de instalarla y operarla.
- 2) Envíe el embalaje a reciclar. NO permita que los niños jueguen con bolsas de plástico u otras partes del embalaje.
- 3) **PRECAUCIÓN:** Riesgo de descarga eléctrica
 - a. Este electrodoméstico debe desconectarse de su fuente de alimentación durante las actividades de instalación o servicio y al reemplazarlo.
 - b. **NO** use este calentador en las inmediaciones de un baño, ducha o piscina o jacuzzi donde podría caer en un recipiente lleno de agua.
 - c. Los interruptores y otros controles no deben estar al alcance de una persona en un baño, piscina, jacuzzi o ducha.
 - d. **NO** toque este calentador o sus controles con las manos mojadas.
 - e. **NO** permita que los cables de alimentación se sumerjan en agua u otro líquido.
 - f. **NO** abra ni intente reparar el calentador usted mismo. El servicio debe ser realizado únicamente por personal calificado.
- 4) Para evitar el sobrecalentamiento y el riesgo potencial de incendio, NO cubra el calentador bajo ninguna circunstancia. Si el calentador se cubre accidentalmente durante el funcionamiento, apáguelo inmediatamente y retire cualquier objeto extraño que haya cubierto el calentador o se haya alojado en la parrilla.
- 5) La unidad debe instalarse con un espacio libre mínimo de 1800 mm (71 ") al piso y un espacio libre de 300 mm (12") en la parte superior y los lados del calentador.
- 6) NO toque el calentador cuando esté en uso. Algunas partes del calentador pueden exceder los 200 ° C / 392 ° F durante el funcionamiento. El contacto con el calentador durante el funcionamiento puede provocar quemaduras graves. No toque el calentador durante o durante 10 minutos después del funcionamiento.
- 7) NO use el calentador si el cable de alimentación está dañado. Este debe ser reemplazado por el fabricante, su agente de servicio o personas calificadas similares para evitar un peligro.
- 8) NO use el calentador para encender materiales. NO opere en lugares que contengan gasolina, líquidos inflamables u otras sustancias volátiles.
- 9) NO instale este calentador cerca o apuntando hacia objetos inflamables a menos de 1 metro o donde cortinas, toallas u otros artículos inflamables puedan caer sobre el calentador.
- 10) Este calefactor solo debe utilizarse para calentar personas al aire libre o en interiores en un espacio no cerrado. El HAWAII no debe ser utilizado por niños o personas con capacidades físicas, sensoriales



Traducción de las instrucciones originales de los calentadores Hawaii de 2000 vatios producidos a partir de 122019.



o mentales reducidas, o con falta de experiencia o conocimiento, sin importar si han recibido instrucción o están bajo supervisión. Los niños deben mantenerse alejados y no deben dejarse sin supervisión alrededor de la unidad.

- 11) Todos los operadores solo deben encender / apagar el artefacto siempre que haya sido colocado o instalado en su posición de operación normal prevista y hayan recibido supervisión o instrucción sobre el uso del artefacto de manera segura y comprendan los peligros involucrados. Los niños no deben enchufar, encender o regular el aparato ni realizar el mantenimiento por parte del usuario, incluida la limpieza.
- 12) NO deje el calentador funcionando sin vigilancia.
- 13) NUNCA coloque las manos debajo del elemento calefactor durante el funcionamiento.
- 14) IMPORTANTE: Asegúrese de que el voltaje de suministro no exceda los 245 voltios.

GUARDA ESTAS INSTRUCCIONES.

PROTECCIÓN CONTRA LA INGRESO DE AGUA:

Herschel HAWAII tiene una clasificación de IP44 estándar (a prueba de salpicaduras). Apto para uso en exteriores.

Si el HAWAII se cuelga o se instala desde una marquesina/techo, debe mantenerse una distancia de 300 mm en todo momento.

La instalación en áreas como baños al aire libre, piscinas o jacuzzis debe realizarla un instalador debidamente calificado y cumplir con los requisitos de seguridad eléctrica locales.

En caso de duda, no lo instale. Herschel Infrared Ltd no será responsable de ninguna pérdida, daño o lesión causada o resultante de un ajuste inadecuado o una colocación incorrecta de calentadores cerca de fuentes de agua.

INFORMACION ELECTRICA:

El Hawaii 2000 se puede enchufar a un enchufe a prueba de agua. Cualquier cable de extensión que se use debe tener la capacidad suficiente para transportar la corriente requerida por el calentador, como se muestra en la Tabla 1. Todos los enchufes, enchufes e interruptores diseñados para uso en exteriores deben tener una protección adecuada contra la entrada de agua.

Alternativamente, se puede quitar el enchufe y conectar la unidad a un cableado de red fijo. Las instalaciones de cableado fijo solo deben ser realizadas por personas competentes o un electricista calificado de acuerdo con las regulaciones nacionales y la unidad debe estar conectada a tierra. El suministro eléctrico a la unidad debe proporcionarse conectándolo a un dispositivo de protección de corriente adecuado para la clasificación eléctrica de la unidad de acuerdo con la Tabla 1 y proporcionando desconexión en ambos polos. Todo el cableado fijo debe tener la capacidad suficiente para transportar la corriente requerida por el calentador.

Siempre desconecte el calentador de la energía cuando no esté en uso.

Tabla 1. Especificaciones eléctricas

Modelo	HAWAII 2000
Voltaje	220 – 240V
Potencia nominal	2000 Vatios
Corriente	9 Amperios

Frecuencia	50 Hz
Color del cable	Marrón, Azul, Amarillo / Verde

La posición de montaje de la unidad debe garantizar que sea improbable que se produzcan daños mecánicos en el cable flexible. El cable sobrante debe asegurarse y no debe tocar las partes calientes del calentador y no debe invadir el área calentada. No permita que el cable actúe como un conducto para el agua en el prensaestopas en la parte posterior del calentador.

Codificación de colores utilizada en el cable de alimentación suministrado:

El cable MARRÓN debe conectarse a VIVO ("L"), el cable AZUL a NEUTRO ("N") y el cable VERDE / AMARILLO a TIERRA ("E").

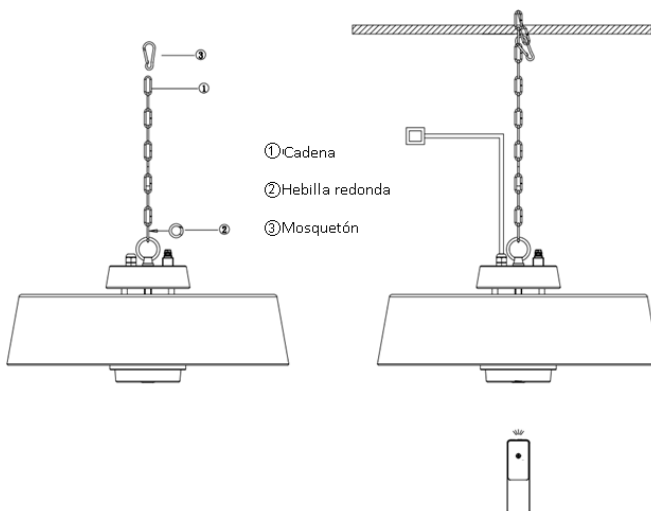
POSICIÓN DE MONTAJE:

El Herschel HAWAII es un calentador infrarrojo de onda media adecuado para su uso en áreas frías en interiores o exteriores semi-protegidas. Cuando se usa al aire libre u otras áreas con movimiento de aire / viento, la propagación infrarroja direccional puede reducirse de 1/3 a 1/2 de las cifras publicadas.

El HAWAII debe suspenderse utilizando el kit de cadena provisto de una estructura firme que forma parte de un refugio superior. El calentador no debe exponerse a la lluvia ni a la entrada de agua desde arriba.

Los lados y extremos del calentador siempre deben estar al menos a 300 mm (12 ") de la pared, el techo u otra estructura más cercana. La unidad debe suspenderse mediante la cadena (suministrada). Puede enrollar la cadena alrededor de un accesorio y sujetarlo a sí mismo con el clip de hebilla proporcionado, siempre que el calentador pueda colgar a 300 mm del techo.

Para todas las instalaciones, el HAWAII debe ubicarse en una posición que permita un uso adecuado y eficiente, pero que garantice que las partes calientes no se toquen accidentalmente. La altura mínima de instalación del HAWAII sobre el suelo es de 1,8 m (71 "). Bajo ninguna circunstancia se debe instalar la unidad a menos de 1,8 m (71 ") del suelo. Se debe tener en cuenta cualquier estructura temporal u ocasional, como escenarios o plataformas, y se debe ajustar en consecuencia.



MANEJO DURANTE LA INSTALACIÓN:

Tenga cuidado durante la instalación para evitar tocar la parrilla en la parte delantera del calentador. Asegúrese de limpiar las marcas de dedos del calentador antes de encenderlo por primera vez, ya que los aceites de las huellas dactilares pueden quemarse y causar una rápida decoloración de ciertas partes.

**PRECAUCIÓN:**

- Asegúrese de que el suministro eléctrico esté apagado y que la unidad esté fría antes de comenzar la instalación.
- El cable de alimentación suministrado no debe tocar la superficie superior del calentador durante el funcionamiento.
- El calentador no debe ubicarse inmediatamente encima o debajo de una toma de corriente. Las conexiones eléctricas deben realizarse fuera del espacio ocupado por la unidad para evitar la acumulación de calor en la conexión.
- No se deben cortar ni hacer muescas las vigas para instalar el aparato..
- Los accesorios del calentador de techo deben ser capaces de soportar 4 veces el peso de la unidad (es decir, 14 kilogramos o 31 libras)
- Este calentador no está diseñado para una instalación empotrada.
- La marca de identificación y la referencia del modelo deben estar visibles después de la instalación.
- El aislamiento del cableado fijo que entra en contacto con piezas con un aumento de temperatura superior a 50 ° C debe protegerse, por ejemplo, mediante manguitos con una clasificación de temperatura adecuada.
- Asegúrese de que los cables estén bien asegurados y no puedan ser tirados por niños pequeños.

USO INICIAL:

El interruptor de encendido en la parte posterior (parte superior) del HAWAII tiene 3 posiciones:

- Posición O (Apagado)
- Posición I (derivación remota)
- Posición II (mando a distancia).



PRECAUCIÓN: El interruptor de encendido puede cambiar involuntariamente a la posición I (derivación remota) durante el desembalaje y la instalación. Para evitar cualquier posibilidad de quemaduras, asegúrese de que el interruptor de encendido esté en la posición de APAGADO (marcado con una O en el interruptor) antes de encender el suministro eléctrico.

Posición I. Para desviar el control remoto, gire el interruptor del calentador a la posición I. Cuando el interruptor esté en esta posición, el calentador se encenderá o apagará dependiendo de si tiene energía. La unidad de control remoto no controlará el calentador cuando el interruptor esté en la posición I. Use esto cuando desee cablear el calentador a un dispositivo de conmutación como un temporizador de botón o un termostato.

Posición II. Para usar el calentador con el control remoto, asegúrese de que el interruptor del calentador esté en la posición II.

Inserte 2 pilas alcalinas AAA en el control remoto.

El control remoto opera el calentador de manera remota. No hay nivel de calor ajustable. Sin embargo, todos los controles remotos Herschel HAWAII comparten la misma frecuencia, por lo que es posible controlar varios calentadores con un solo control remoto.

Puede haber olor o vapor del calentador en el uso inicial o si no se ha usado durante un período prolongado. Esto es normal.

USO EXTENDIDO:

Con el tiempo, la parrilla puede decolorarse debido a las altas temperaturas, los contaminantes en el aire y las huellas dactilares.

La decoloración no afectará el rendimiento o la seguridad del calentador y no es una condición para el reemplazo de la garantía.

MANTENIMIENTO DEL USUARIO:

Evite tocar la rejilla frontal en la parte frontal del calentador y asegúrese de limpiar las huellas dactilares de estas partes.

Evite tocar una lámpara fría con los dedos. Limpie siempre las marcas de los dedos si toca accidentalmente la lámpara. Los residuos de huellas dactilares pueden causar puntos calientes en la superficie de la lámpara y acortar su vida útil.

El calentador se puede limpiar con un paño suave húmedo. No utilice detergentes abrasivos para limpiar la unidad. NO use alcohol, gasolina, limpiadores abrasivos, cera para muebles o cepillos ásperos para limpiar el HAWAII. Esto provocará el deterioro de la superficie del calentador.

La lámpara utilizada en Herschel HAWAII es de larga duración. El cambio de la lámpara solo debe ser realizado por personal debidamente cualificado.

SOLUCIÓN DE PROBLEMAS:

Si el calentador deja de funcionar, compruebe:

- La alimentación de la unidad está encendida.
- Si el interruptor de la unidad trasera está en la posición I, la lámpara de calor se encenderá.
- Alternativamente, si el interruptor de la unidad trasera se cambia a la Posición II, la lámpara de calor se encenderá cuando se opere el control remoto.
- Compruebe que haya pilas nuevas en el mando a distancia.
- Compruebe el estado de la lámpara (no rota ni ennegrecida). Consulte con su distribuidor Herschel para reemplazar la lámpara.

ELIMINACIÓN DE RESIDUOS:

Este calentador es un producto eléctrico y no debe desecharse con la basura doméstica. Se puede reciclar un alto porcentaje del calentador. Trate como desperdicio eléctrico y recíclelo de acuerdo con las regulaciones locales..

GARANTÍA:

Registre su producto aquí: <https://www.herschel-infrarrojo.es/atencion-al-cliente/registro-de-garantia/>
Herschel HAWAII está garantizado contra fallas debidas a materiales o mano de obra defectuosos durante dos años a partir de la fecha de compra, excluyendo la lámpara y el control remoto. En el improbable caso de falla de la unidad dentro de este tiempo, la unidad debe devolverse al proveedor para su reparación o reemplazo. La garantía no es válida si no se han seguido las instrucciones de instalación correctas que se dan en este folleto. Consulte la política de garantía de Herschel Infrared Ltd para obtener todos los detalles. Consulte <https://www.herschel-infrarrojo.es/>

Anote su número de serie para referencia futura:

INFORMACIÓN TÉCNICA:

Potencia nominal:	2000W. 220-240V
Elemento de calefacción:	Lámpara de calentamiento de filamento de carbono de brillo cálido de larga duración
Dimensiones:	Ø 50 x 25 cm
Posición de montaje:	Techo
Tiempo de calentamiento:	5 - 10 segundos
Longitud de onda máxima:	2 - 5µm
Peso:	3.5kg
Garantía:	2 años (excluye lámpara y control remoto)
Proteccion:	IP44

EQUIPO ELÉCTRICO:

Los residuos de productos eléctricos no deben desecharse con la basura doméstica. Por favor, recicle en las instalaciones correspondientes.

AVISO IMPORTANTE PARA EL COMPRADOR:

Antes de usar el producto, debe determinar su idoneidad para el uso previsto. HERSCHEL INFRARED LTD renuncia expresamente a las garantías y condiciones implícitas de comerciabilidad e idoneidad para un propósito particular. En ningún caso HERSCHEL INFRARED LTD será responsable bajo ninguna teoría legal, incluyendo pero no limitado a contrato o responsabilidad estricta, por cualquier daño directo, indirecto especial, incidental o consecuente que resulte del uso del producto.