



PART NUMBER	RATED POWER	VOLTAGE	DIMENSIONS	CURRENT	WEIGHT	HEATED ZONE Indoors	HEATED ZONE Outdoors
M-COLORADO-2500R <small>(with remote control)</small>	2500W	230V	90 x 17.4 x 10cm	10.9A	3.5kg	10-18m <sup>2</sup>	7-12m <sup>2</sup>



FEATURES AND BENEFITS

The zero maintenance 2.5kW Herschel COLORADO with its classic, tasteful and sleek design is a powerful, electric space heater made to the highest quality. Suitable in appearance for both domestic and commercial settings with its smart, black, aluminium powder coated finish, the COLORADO, part of Herschel's WARM GLOW range, has an IP rating of IP55 so is ideal for heating both covered and uncovered outdoor areas that are relatively sheltered from airflow such as bar, restaurant and café terraces. It also provides an excellent solution for heating those large, hard to heat, draughty indoor spaces such as public halls, workshops and loading bays.

With a warm up time of 5-10 seconds, the ultra-long life carbon heating lamp of the COLORADO, with a bulb life of up to 10,000 hours, quickly produces an effective feeling of comfortable warmth. Silent in operation, the COLORADO can be operated with or without a remote control; the heater incorporates a remote bypass. The remote control provides 4 power settings (100%, 75%, 50%, 25%) and can be timer controlled for up to 24 hours. Ideal for those looking for a discreet and easy to control solution that provides an instant and powerful heat with a warm and comforting glow, but who do not want the glare and invasive light produced by most quartz halogen heaters available.

The COLORADO can be both wall and ceiling mounted (see mounting diagram) and is quick and simple to install. Alternatively, it can be fixed to a portable stand enabling it to become a free-standing heater, offering further flexibility as to its positioning (Colorado incorporates anti-tilt device, mounting guidelines must still be adhered to).

Leading the way in stylish outdoor living, the Herschel COLORADO offers an efficient and environmentally friendly way to ensure quick, clean and effective warmth.

For larger detailed commercial projects we would always recommend Herschel carry out a survey or detailed desktop assessment.

**Heating Element:** Ultra long-life carbon heating lamp (up to 10,000 hours)

**Reflector:** Mirror aluminium (98% reflection preventing rearward heat loss)

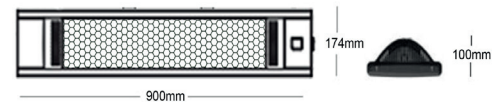
**Body:** Extruded aluminium, powder coated

**Remote Control:** 4 power levels & 9 hour timer

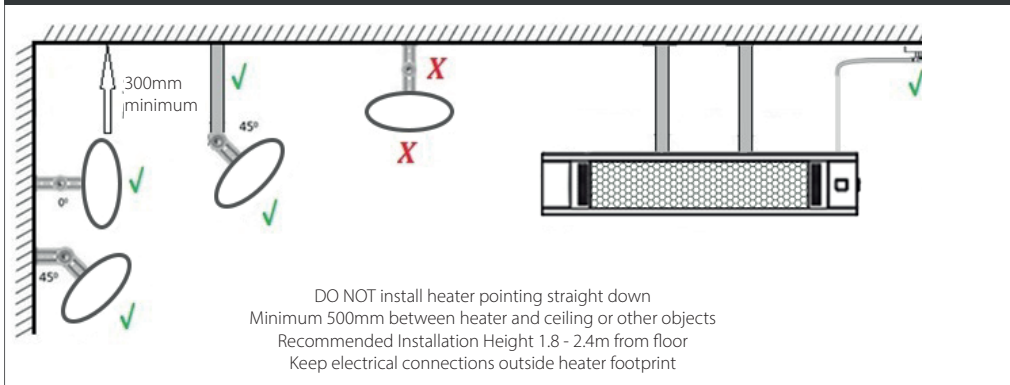
**Warm Up Time:** 5-10 seconds

**Useful Wavelength Range:** 2-5 µm

**IP Rating:** IP55



MOUNTING DIAGRAM



IMPORTANT

Please refer to the Herschel COLORADO Installation Manual before installation and for guidance on heated zones and heat intensity at alternative mounting heights. The heated zones are based on recommended mounting heights. In areas with air movement/wind the infrared spread may reduce by 1/3 to 1/2. In these areas we recommend mounting at the lowest height and proportionally increasing the number of heaters. Under no circumstances is the heater to be installed at less than 1.8m (71") from the floor. Do not touch the heater when it is in use.

Ensure supply voltage does not exceed 245 Volts. The Herschel Colorado is guaranteed against failure due to faulty materials or workmanship for two years. The warranty excludes lamp and remote control. In the unlikely event of failure of the unit within this time, the unit must be returned to the supplier for repair or replacement. Refer to the warranty policy on [Herschel-infrared.com](http://Herschel-infrared.com) for more detail including exclusions. The guarantee is invalid if the correct installation instructions have not been adhered to.

