

WARNING

The item(s) mentioned is sold and intended to be used as a massager. This massager is not a toy. Keep out of reach of children. For external use only. We bear no responsibility for the product should the product be used in any manner other than its intended use. In the case of non-waterproof massagers, user must take extreme care not to let the item get wet. In the case of waterproof massagers, ensure the cap is fully screwed on to avoid any internal water damage. Store your massager on its own and not combined with other devices or personal products. Allow massager to cool down before storing away. You should refer to the list of materials found on the package to see if the item contains materials that may cause allergic reactions. To avoid injury or aggravation of pre-existing conditions, this device should not be used on swollen, inflamed, infected, irritated areas or skin lacerations. No medical claims are warranted or implied by the use of this product. We do not take any responsibility and we are not liable for any damage caused through use of the products, whether as indirect, special, incidental or consequential damages.

90 DAY LIMITED WARRANTY

If your product fails to work due to any defect in workmanship or materials, we will replace your product with a like or similar item within 90 days of purchase. Simply follow the warranty form procedure located at: [bswish.com/warranty](https://www.bswish.com/warranty)

Additional user guide languages located at:
[bswish.com/manuals](https://www.bswish.com/manuals)

bswish

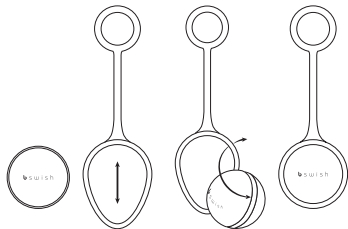
BASICS LINE

User Guide

[bswish.com](https://www.bswish.com)
Designed in California

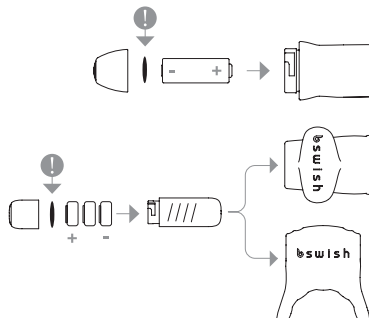
HOW TO USE YOUR BFIT LOVE BALLS

Two 24g weighted silicone love balls with single and double harnesses offer the option to work out with one or two weights at a time while freeform weights encased within each ball deliver subtle sensations. To exchange weights, simply stretch the silicone harness around a weighted love ball and align inside the grooves until snug and secure.



BATTERY INSERTION & OPERATION

Some Basic Line personal massagers are battery operated. If your massager includes a motor, the batteries are pre-installed in the motor. **1** Before using for the first time you will need to activate the batteries. To activate, twist the end of the motor to remove the cap, discard the paper stopper and then place the motor cap back on. To operate **1** Click the button once to turn on your personal massager. **2** The 5-functions are cycled through with the click of this single button. **3** To turn off your massager hold the button for 3 seconds.



CARING FOR YOUR MASSAGER

The life of your massager will be greatly increased with proper maintenance and care. Be sure to wash before first use and after each use. Clean using a non-alcohol based antibacterial soap and water, or a dedicated personal massager cleaner. Ensure your massager is completely dry and remove batteries before storing.



CHOOSING THE PROPER LUBRICANT

It's important to use the correct lubricant in order to avoid damaging the coating of your massager. If your massager contains silicone, then you must use a water-based lubricant. If your massager contains PU/ABS plastic, then you may use any oil-free based lubricant.

WARNING

The item(s) mentioned is sold and intended to be used as a massager. This massager is not a toy. Keep out of reach of children. For external use only. We bear no responsibility for the product should the product be used in any manner other than its intended use. In the case of non-waterproof massagers, user must take extreme care not to let the item get wet. In the case of waterproof massagers, ensure the cap is fully screwed on to avoid any internal water damage. Store your massager on its own and not combined with other devices or personal products. Allow massager to cool down before storing away. You should refer to the list of materials found on the package to see if the item contains materials that may cause allergic reactions. To avoid injury or aggravation of pre-existing conditions, this device should not be used on swollen, inflamed, infected, irritated areas or skin lacerations. No medical claims are warranted or implied by the use of this product. We do not take any responsibility and we are not liable for any damage caused through use of the products, whether as indirect, special, incidental or consequential damages.

GARANTÍA LIMITADA DE 90 DÍAS

Si tu producto no funciona debido a cualquier defecto en su fabricación o materiales, lo reemplazaremos por otro artículo igual o similar hasta 90 días después de su compra. Solo sigue el procedimiento de formulario de garantía en: bswish.com/warranty

Idiomas adicionales para guías de usuario en: bswish.com/manuals

bswish

BASICS LINE

Guía de Usuario

bswish.com

Diseñado en California

CÓMO UTILIZAR LAS BOLAS DE AMOR BFIT

Dos bolas de amor de silicona con peso de 24 gr. con arneses simples y dobles ofrecen la opción de ejercitarse con una o dos pesas a la vez, mientras que las pesas de forma libre encajadas en cada bola proporcionan sutiles sensaciones. Para intercambiar las pesas, basta con estirar el arnés de silicona alrededor de una bola de amor con peso y alinearla dentro de las ranuras hasta que quede ajustada y segura.

COLOCACIÓN Y FUNCIONAMIENTO DE LA BATERÍA

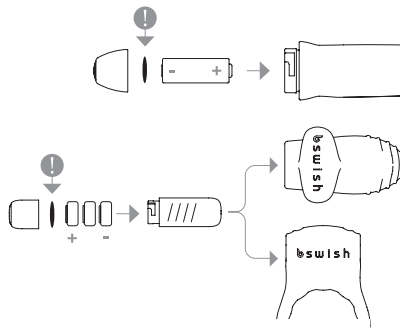
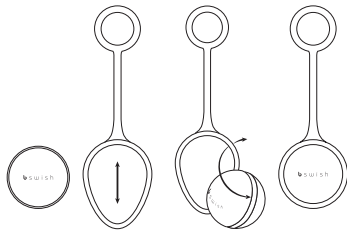
Algunos masajeadores personales de la Basic Line funcionan con pilas. Si tu masajeador incluye un motor, las pilas están preinstaladas en el motor. **1** Antes de utilizarlo por primera vez, es necesario activar las pilas. Para activarlas, gira el extremo del motor para retirar la tapa, desecha el tapón de papel y vuelve a colocar la tapa del motor. Para el funcionamiento **1** Pulsa el botón una vez para encender tu masajeador personal. **2** Las 5 funciones se alternan con el clic de este único botón. **3** Para apagar el masajeador, mantén pulsado el botón durante 3 segundos.

MANTENIMIENTO DE TU MASAJEADOR

La vida de utilidad de tu masajeador aumentará considerablemente mediante un cuidado y mantenimiento correctos. Asegúrate de lavarlo antes y después de cada uso. Límpialo usando un gel antibacteriano sin base de alcohol o un producto de limpieza exclusivo para masajeadores personales. Cérciérate de que tu masajeador está totalmente seco y retira las pilas antes de guardarlo.

ESCOGE EL LUBRICANTE APROPIADO

Es importante utilizar el lubricante correcto con el propósito de evitar daños en el revestimiento de tu masajeador. Si este contiene silicona, debes emplear un lubricante con base de agua. Si tu masajeador contiene plásticos PU/ABS, puedes utilizar cualquier lubricante con base libre de aceites.



WARNING

The item(s) mentioned is sold and intended to be used as a massager. This massager is not a toy. Keep out of reach of children. For external use only. We bear no responsibility for the product should the product be used in any manner other than its intended use. In the case of non-waterproof massagers, user must take extreme care not to let the item get wet. In the case of waterproof massagers, ensure the cap is fully screwed on to avoid any internal water damage. Store your massager on its own and not combined with other devices or personal products. Allow massager to cool down before storing away. You should refer to the list of materials found on the package to see if the item contains materials that may cause allergic reactions. To avoid injury or aggravation of pre-existing conditions, this device should not be used on swollen, inflamed, infected, irritated areas or skin lacerations. No medical claims are warranted or implied by the use of this product. We do not take any responsibility and we are not liable for any damage caused through use of the products, whether as indirect, special, incidental or consequential damages.

GARANTIE LIMITÉE DE 90 JOURS

Si votre produit ne fonctionne pas en raison d'un défaut de fabrication ou d'un défaut du matériel, nous remplacerons votre produit par un article identique ou similaire dans les 90 jours suivant l'achat. Suivez simplement la procédure du formulaire de garantie se trouvant ici : bswish.com/warranty

Les langues supplémentaires du guide d'utilisation se trouvent ici : bswish.com/manuals

bswish

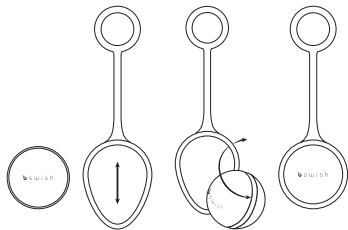
BASICS LINE

Guide d'utilisation

bswish.com
Conçu en Californie

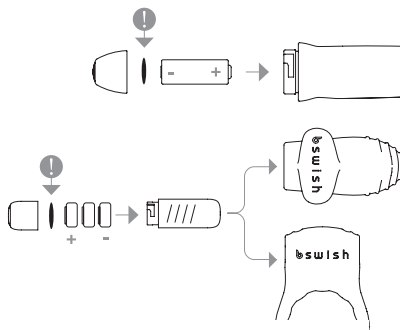
COMMENT UTILISER VOS BOULES D'AMOUR BFIT

Deux boules d'amour en silicone lestées de 24 g avec des harnais simples et doubles offrent la possibilité de s'entraîner avec un ou deux poids à la fois tandis que des poids de forme libre enfermés dans chaque boule procurent des sensations subtiles. Pour échanger les poids, il suffit d'étirer le harnais en silicone autour d'une boule d'amour lestée et de l'aligner dans les rainures jusqu'à ce qu'elle soit bien fixée.



INSERTION ET FONCTIONNEMENT DE LA BATTERIE

Certains masseurs personnels Basic Line fonctionnent sur batterie. Si votre masseur est doté d'un moteur, les piles sont préinstallées dans ledit moteur. **1** Avant la première utilisation, vous devez activer les piles. Pour l'activer, tournez l'extrémité du moteur pour retirer le capuchon, retirez le bouchon de papier, puis remettez le capuchon du moteur en place. Pour utiliser **1** Cliquez une fois sur le bouton pour allumer votre masseur personnel. **2** Il suffit de cliquer sur ce seul bouton pour faire défiler les 5 fonctions. **3** Pour éteindre votre masseur, maintenez le bouton enfoncé pendant 3 secondes.



ENTRETIEN DE VOTRE MASSEUR

La durée de vie de votre masseur augmentera grandement avec un entretien adéquat. Veillez à le laver avant la première utilisation et après chaque utilisation. Nettoyez-le à l'aide d'un savon antibactérien sans alcool et d'eau, ou à l'aide d'un nettoyant dédié au masseur personnel. Veillez à ce que votre masseur soit complètement sec et retirez les piles avant de le ranger.



CHOIX DU BON LUBRIFIANT

Il est important d'utiliser le bon lubrifiant, afin d'éviter d'endommager le revêtement de votre masseur. Si votre masseur contient du silicone, vous devez utiliser un lubrifiant à base d'eau. Si votre masseur contient du plastique PU/ABS, vous pouvez alors utiliser n'importe quel lubrifiant sans huile.

WARNING

The item(s) mentioned is sold and intended to be used as a massager. This massager is not a toy. Keep out of reach of children. For external use only. We bear no responsibility for the product should the product be used in any manner other than its intended use. In the case of non-waterproof massagers, user must take extreme care not to let the item get wet. In the case of waterproof massagers, ensure the cap is fully screwed on to avoid any internal water damage. Store your massager on its own and not combined with other devices or personal products. Allow massager to cool down before storing away. You should refer to the list of materials found on the package to see if the item contains materials that may cause allergic reactions. To avoid injury or aggravation of pre-existing conditions, this device should not be used on swollen, inflamed, infected, irritated areas or skin lacerations. No medical claims are warranted or implied by the use of this product. We do not take any responsibility and we are not liable for any damage caused through use of the products, whether as indirect, special, incidental or consequential damages.

GARANZIA LIMITATA 90 GIORNI

Se il vostro prodotto non funziona a causa di qualsiasi difetto di lavorazione o materiali, sostituiamo il prodotto con un oggetto simile entro 90 giorni dall'acquisto. Seguire semplicemente la procedura del modulo di garanzia presente su: [bswish.com/warranty](https://www.bswish.com/warranty)

Ulteriori lingue di istruzioni per l'utente presenti su: [bswish.com/manuals](https://www.bswish.com/manuals)

bswish

BASICS LINE

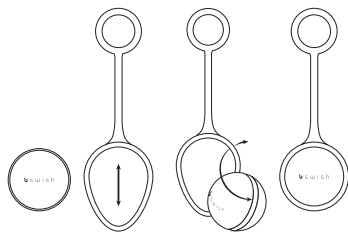
Guida per l'utente

[bswish.com](https://www.bswish.com)

Progettato in California

COME USARE LE TUE LOVE BALLS BFIT

Le due love balls in silicone da 24 g con supporto singolo e doppio ti offrono la possibilità di utilizzare uno o due palline per volta, mentre i pesi mobili racchiusi all'interno di ciascuna di esse ti regalano sensazioni uniche. Per cambiare i pesi, inserisci una pallina all'interno del supporto in silicone, fissando quest'ultimo sulle scanalature della pallina in maniera aderente e stabile.

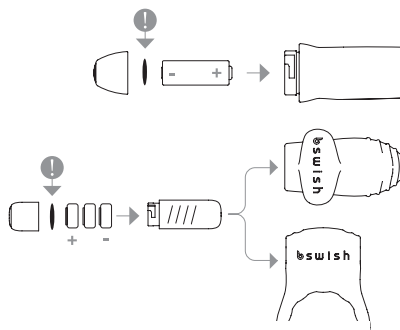


INSERIMENTO DELLE BATTERIE E LORO FUNZIONAMENTO

Alcuni massaggiatori intimi Basic Line funzionano a batteria. Se il tuo massaggiatore è dotato di un motorino, le batterie sono preinstallate al suo interno.

❗ Precedentemente al primo utilizzo sarà necessario attivare le batterie. Per fare ciò, ruota l'estremità del motorino per rimuovere il tappo, rimuovi il disco di carta di sicurezza e rimetti il tappo al suo posto. Azionamento:

❶ Premi il pulsante una volta per accendere il massaggiatore. ❷ Le 5 funzioni vengono azionate in sequenza premendo questo pulsante. ❸ Per spegnere il massaggiatore, tieni premuto il pulsante per 3 secondi.



PRENDERSI CURA DEL PROPRIO MASSAGGIATORE

La vita del vostro massaggiatore sarà notevolmente aumentata con una corretta manutenzione e cura. Assicurarsi di lavare prima del primo utilizzo e dopo ogni uso. Pulire con sapone antibatterico a base non alcolica e acqua, o un detergente specifico per massaggiatori. Assicurarsi che il massaggiatore sia completamente asciutto e rimuovere le batterie prima di riporlo.



SCELTA DEL LUBRIFICANTE ADEGUATO

È importante utilizzare il lubrificante corretto per evitare di danneggiare il rivestimento del vostro massaggiatore. Se il vostro massaggiatore contiene silicone, allora è necessario utilizzare un lubrificante a base d'acqua. Se il vostro massaggiatore contiene plastica PU/ABS, allora è possibile utilizzare un qualsiasi lubrificante con base priva di oli.

WARNING

The item(s) mentioned is sold and intended to be used as a massager. This massager is not a toy. Keep out of reach of children. For external use only. We bear no responsibility for the product should the product be used in any manner other than its intended use. In the case of non-waterproof massagers, user must take extreme care not to let the item get wet. In the case of waterproof massagers, ensure the cap is fully screwed on to avoid any internal water damage. Store your massager on its own and not combined with other devices or personal products. Allow massager to cool down before storing away. You should refer to the list of materials found on the package to see if the item contains materials that may cause allergic reactions. To avoid injury or aggravation of pre-existing conditions, this device should not be used on swollen, inflamed, infected, irritated areas or skin lacerations. No medical claims are warranted or implied by the use of this product. We do not take any responsibility and we are not liable for any damage caused through use of the products, whether as indirect, special, incidental or consequential damages.

90 TAGE BEGRENZTE GARANTIE

Wenn Ihr Produkt aufgrund irgendeines Defekts in der Verarbeitung oder des Materials innerhalb der ersten 90 Tage nach dem Kauf nicht mehr funktioniert, ersetzen wir dieses Produkt durch ein gleiches oder ähnliches. Folgen Sie einfach dem Ablauf des Garantie-Formulars auf:

bswish.com/warranty

Benutzeranleitungen in anderen Sprachen finden Sie unter: **bswish.com/manuals**

bswish

BASICS LINE

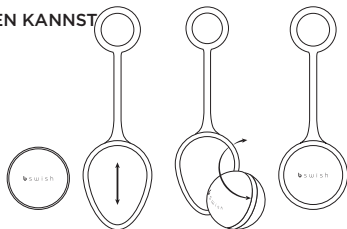
Benutzeranleitung

bswish.com

In Kalifornien entworfen

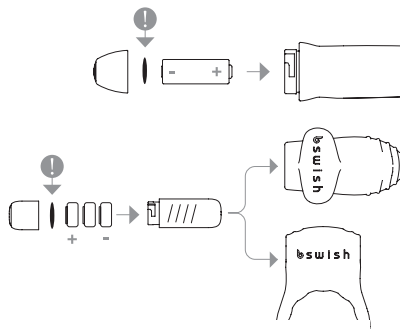
WIE DU DEINE BFIT-LIEBESKUGELN BENUTZEN KANNST

Zwei 24 g schwere Silikon-Liebeskugeln mit Einzel- und Doppelgurten bieten die Möglichkeit, mit einem oder zwei Gewichten gleichzeitig zu trainieren, während frei geformte Gewichte in jeder Kugel für subtile Empfindungen sorgen. Um die Gewichte auszutauschen, ziehst du einfach den Silikongurt um eine der gewichteten Liebeskugeln und richtest sie in den Rillen aus, bis sie fest und sicher sitzen.



EINLEGEN DER BATTERIE UND BETRIEB

Einige Basic Line Massagegeräte sind batteriebetrieben. Wenn dein Massagegerät mit einem Motor ausgestattet ist, sind die Batterien bereits in den Motor eingelegt. **1** Vor der ersten Benutzung musst du die Batterien aktivieren. Zum Aktivieren drehst du das Ende des Motors, um die Kappe zu entfernen, entsorgst den Papierstopper und setzt dann die Motorkappe wieder auf. **Bedienung** **1** Klicke einmal auf den Knopf, um dein persönliches Massagegerät einzuschalten. **2** Die 5 Funktionen werden mit einem einzigen Klick auf den Knopf durchlaufen. **3** Um dein Massagegerät auszuschalten, halte die Taste 3 Sekunden lang gedrückt.



PFLEGE DES MASSAGESTABS

Die Lebensdauer Ihres Massagestabs wird durch richtige Pflege und Vorsicht deutlich verlängert. Waschen Sie ihn vor der ersten und nach jeder Benutzung. Reinigen Sie ihn mit alkoholfreien antibakteriellen Seifen und Wasser oder einem besonderen Massagestab-Reinigungsmittel. Stellen Sie sicher, dass der Stab vollständig trocken ist und entfernen Sie die Batterien, bevor Sie ihn verstauen.



DIE WAHL DES RICHTIGEN SCHMIERMITTELS

Es ist wichtig, das richtige Schmiermittel zu wählen, um Schäden an der Schicht des Massagestabs zu vermeiden. Wenn Ihr Stab Silikon enthält, sollten Sie ein auf Wasser basierendes Mittel verwenden. Enthält Ihr Stab PU-/ABS-Kunststoff, verwenden Sie am besten ein Schmiermittel ohne Ölanteil.

WARNING

The item(s) mentioned is sold and intended to be used as a massager. This massager is not a toy. Keep out of reach of children. For external use only. We bear no responsibility for the product should the product be used in any manner other than its intended use. In the case of non-waterproof massagers, user must take extreme care not to let the item get wet. In the case of waterproof massagers, ensure the cap is fully screwed on to avoid any internal water damage. Store your massager on its own and not combined with other devices or personal products. Allow massager to cool down before storing away. You should refer to the list of materials found on the package to see if the item contains materials that may cause allergic reactions. To avoid injury or aggravation of pre-existing conditions, this device should not be used on swollen, inflamed, infected, irritated areas or skin lacerations. No medical claims are warranted or implied by the use of this product. We do not take any responsibility and we are not liable for any damage caused through use of the products, whether as indirect, special, incidental or consequential damages.

GARANTIA LIMITADA DE 90 DIAS

Se seu produto parar de funcionar devido a algum defeito de fabricação ou de materiais, efetuaremos a troca por um igual ou similar se estiver dentro do prazo de 90 dias após a compra. Basta seguir os procedimentos do formulário de garantia localizado em: [bswish.com/warranty](https://www.bswish.com/warranty)

Guias do usuário em outros idiomas podem ser encontrados em: [bswish.com/manuals](https://www.bswish.com/manuals)

bswish

BASICS LINE

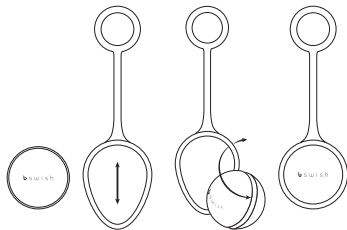
Guia do usuário

[bswish.com](https://www.bswish.com)

Desenvolvido na Califórnia

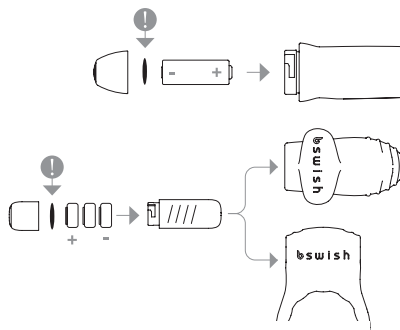
COMO UTILIZAR AS SUAS ESFERAS DE AMOR BFIT

Duas esferas de amor de silicone com peso de 24g com descansos simples e duplos oferecem a opção de se exercitar com um ou dois pesos de cada vez, enquanto os pesos de forma livre dentro de cada esfera proporcionam sensações sutis. Para trocar pesos, basta esticar o descanso de silicone em torno de uma esfera de amor ponderada e alinhar dentro das ranhuras até ficar confortável e seguro.



INSERÇÃO E OPERAÇÃO DA BATERIA

Alguns massageadores pessoais da linha básica são operados por bateria. Se o seu massageador inclui um motor, as baterias são pré-instaladas no motor. **1** Antes de utilizar pela primeira vez, você precisará ativar as baterias. Para ativar, gire a extremidade do motor para remover a tampa, descarte o batente de papel e, em seguida, coloque a tampa do motor novamente. Para operar: **1** Clique no botão uma vez para ligar o seu massageador pessoal. **2** As 5 funções são alternadas com o clique desse único botão. **3** Para desligar o massageador, segure o botão por 3 segundos.



CUIDANDO DE SEU MASSAGEADOR

A vida útil de seu massageador aumentará muito com manutenção e cuidado adequados. Lave-o antes da primeira utilização e após cada uso. Faça a limpeza com água e um sabonete antibacteriano sem álcool ou com um produto próprio para a limpeza de massageadores pessoais. Certifique-se de que ele está completamente seco e remova as pilhas antes de guardá-lo.



ESCOLHENDO O LUBRIFICANTE APROPRIADO

É importante usar o lubrificante correto para evitar que o revestimento de seu massageador seja danificado. Se ele contiver silicone, você deve usar um lubrificante à base de água. Se for feito de plástico PU/ABS, é necessário utilizar um lubrificante sem óleo.

WARNING

The item(s) mentioned is sold and intended to be used as a massager. This massager is not a toy. Keep out of reach of children. For external use only. We bear no responsibility for the product should the product be used in any manner other than its intended use. In the case of non-waterproof massagers, user must take extreme care not to let the item get wet. In the case of waterproof massagers, ensure the cap is fully screwed on to avoid any internal water damage. Store your massager on its own and not combined with other devices or personal products. Allow massager to cool down before storing away. You should refer to the list of materials found on the package to see if the item contains materials that may cause allergic reactions. To avoid injury or aggravation of pre-existing conditions, this device should not be used on swollen, inflamed, infected, irritated areas or skin lacerations. No medical claims are warranted or implied by the use of this product. We do not take any responsibility and we are not liable for any damage caused through use of the products, whether as indirect, special, incidental or consequential damages.

ОГРАНИЧЕННАЯ ГАРАНТИЯ 90 ДНЕЙ

Если товар не сможет работать из-за дефектов сборки или материалов, то мы заменим ваш товар на такой же или схожий в течение 90 дней со дня покупки. Просто заполните форму по адресу: bswish.com/warranty

Руководства пользователя на других языках находятся по адресу: bswish.com/manuals

bswish

BASICS LINE

Руководство пользователя

bswish.com

Разработано в Калифорнии

КАК ИСПОЛЬЗОВАТЬ ВАШИ ЛЮБОВНЫЕ ШАРИКИ BSWIT

Два силиконовых любовных шарика весом 24 г с одинарными и двойными ремнями позволяют тренироваться с одним или двумя весами одновременно, в то время как утяжелители произвольной формы, заключенные в каждый мяч, доставляют тонкие ощущения. Чтобы поменять утяжелители, просто натяните силиконовый жгут вокруг утяжелителя в любовном шарике и выровняйте его внутри канавок, пока фиксация не станет плотной и надежной.

УСТАНОВКА БАТАРЕИ И ЭКСПЛУАТАЦИЯ

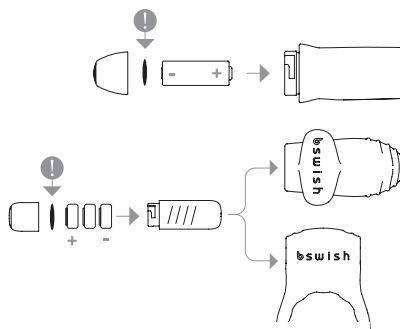
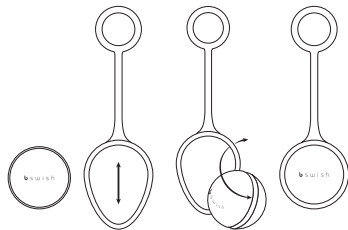
Некоторые персональные массажеры Basic Line работают от батареек. Если ваш массажер оборудован мотором, батарейки предварительно установлены в моторе. **1** Перед первым использованием необходимо активировать батарейки. Для активации поверните конец мотора, чтобы снять колпачок, выбросьте бумажную ленту и снова наденьте колпачок мотора. Для работы **2** Нажмите кнопку один раз, чтобы включить персональный массажер. **3** 5 функций циклически переключаются одним нажатием этой единственной кнопки. **4** Для выключения удерживайте кнопку в течение 3 секунд.

УХОД ЗА МАССАЖЕРОМ

Срок действия вашего массажера сильно увеличится, если вы будете обеспечивать надлежащий уход. Обязательно помойте его перед первым использованием и затем после каждого последующего использования. Мойте его при помощи воды и антибактериального мыла (без содержания алкоголя), или же при помощи очищающей жидкости для личных массажеров. Убедитесь, что ваш массажер полностью сухой, и выньте батарейки перед тем, как убрать его на хранение.

ВЫБОР ЛУБРИКАНТА

Очень важно выбрать верный лубрикант, чтобы избежать повреждения поверхности вашего массажера. Если ваш массажер содержит силикон, вы должны использовать лубрикант на водной основе. Если ваш массажер содержит пластик PU/ABS, то тогда вы можете использовать любой лубрикант без масла.



WARNING

The item(s) mentioned is sold and intended to be used as a massager. This massager is not a toy. Keep out of reach of children. For external use only. We bear no responsibility for the product should the product be used in any manner other than its intended use. In the case of non-waterproof massagers, user must take extreme care not to let the item get wet. In the case of waterproof massagers, ensure the cap is fully screwed on to avoid any internal water damage. Store your massager on its own and not combined with other devices or personal products. Allow massager to cool down before storing away. You should refer to the list of materials found on the package to see if the item contains materials that may cause allergic reactions. To avoid injury or aggravation of pre-existing conditions, this device should not be used on swollen, inflamed, infected, irritated areas or skin lacerations. No medical claims are warranted or implied by the use of this product. We do not take any responsibility and we are not liable for any damage caused through use of the products, whether as indirect, special, incidental or consequential damages.

90 天有限保固

如果您的產品因為任何工藝或材質瑕疵而未能正常運作，我們將在購買日起 90 天內以相同或類似品更換您的產品。請遵循下列網址中的保固表單程序：bswish.com/warranty

其他使用者指南語言可參見：
bswish.com/manuals

bswish

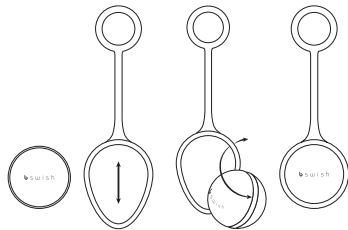
BASICS LINE

使用者指南

bswish.com
加州設計

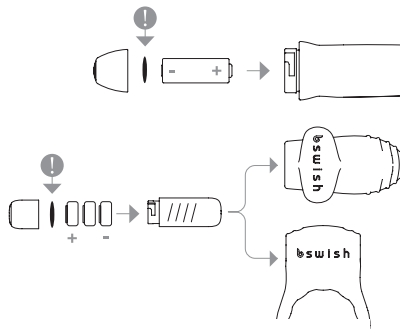
如何使用您的配重球

采用双硅胶配重球设计（单球重 24 克），单双套带可供选择，每次训练均可自由选择使用单球或双球，每个球内置的自由配重块可为您带来美妙快感。要更换配重球，只需将硅胶套带绕在一个配重球上，将套带卡入配重球上的凹槽，直到卡入严密牢固。



电池插入和操作

一些 Basic Line 个人按摩器采用电池供电。如果您的按摩器配有马达，电池预装在马达内。❶ 首次使用前，您需要激活电池。要激活电池，拧下马达末端的保护盖，取出纸塞，然后重新拧上马达保护盖。进行操作时，❶ 按一下按钮，打开您的个人按摩器。❷ 再按此按钮可循环启动 5 个功能。❸ 要关闭您的按摩器，长按此按钮 3 秒钟即可。



保養您的按摩器

適當維護及保養可大幅延長您的按摩器使用壽命。首次使用前及每次使用後務必清洗。使用非酒精性抗菌肥皂和清水，或專用個人按摩器清潔劑清洗。存放前確認您的按摩器已完全乾燥並取下電池。



選擇適當的潤滑劑

務必使用正確的潤滑劑以避免損壞按摩器的外層。如果您的按摩器包含矽膠，您必須使用水性潤滑劑。如果您的按摩器包含 PU/ABS 塑膠，您可使用任何油性潤滑劑。

WARNING

The item(s) mentioned is sold and intended to be used as a massager. This massager is not a toy. Keep out of reach of children. For external use only. We bear no responsibility for the product should the product be used in any manner other than its intended use. In the case of non-waterproof massagers, user must take extreme care not to let the item get wet. In the case of waterproof massagers, ensure the cap is fully screwed on to avoid any internal water damage. Store your massager on its own and not combined with other devices or personal products. Allow massager to cool down before storing away. You should refer to the list of materials found on the package to see if the item contains materials that may cause allergic reactions. To avoid injury or aggravation of pre-existing conditions, this device should not be used on swollen, inflamed, infected, irritated areas or skin lacerations. No medical claims are warranted or implied by the use of this product. We do not take any responsibility and we are not liable for any damage caused through use of the products, whether as indirect, special, incidental or consequential damages.

90日間の限定保証

製造上の欠陥や材料の不具合により製品が動作しない場合、購入後90日以内であれば同等あるいは類似の製品と交換します。 bswish.com/warrantyにある保証フォームの手順に従ってください。

別言語のユーザーガイドは、
bswish.com/manuals にあります。

bswish

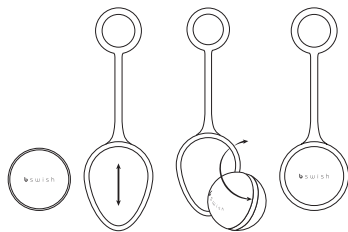
BASICS LINE

ユーザーガイド

bswish.com
カリフォルニア州で商品企画

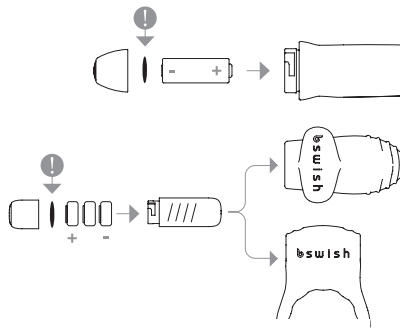
BFITラプボールの使い方

24gのシリコン製ラプボール2個とシングルとダブルのハーネスにより、1個または2個のウェイトで同時にトレーニングするオプションを提供し、各ボールに内蔵されたフリーフォームのウェイトが微妙な感覚を提供します。ウェイトの交換は、シリコンハーネスをウェイト付きラプボールに巻き付け、溝の内側をぴったりと合わせるだけで簡単に出来ます。



バッテリー挿入と操作

Basic Lineのパーソナルマッサージャーの中には、電池駆動のものもあります。モーター付きのマッサージャーの場合、電池はあらかじめモーターに内蔵されています。❶ 初めて使用する前には、バッテリーを起動する必要があります。起動するには、モーターの先端をねじってキャップを外し、用紙ストッパーを捨ててから、モーターキャップを元に戻してください。操作方法 ❶ ボタンを1回クリックすると、パーソナルマッサージャーの電源が入ります。❷ このボタンをクリックすると、5つの機能が順番に切り替わります。❸ 電源を切るには、このボタンを3秒間長押しします。



マッサージ機の手入れ

マッサージ機の寿命は、適切なメンテナンスとケアによって大幅に長くなります。最初の使用前、そしてそのあとは使用後に必ず洗ってください。ノンアルコール・ベースの抗菌石鹸と水、または専用のパーソナル・マッサージ機用洗浄剤を使用してきれいにしてください。マッサージ機が完全に乾燥していることを確認し、保管前に電池を取り出してください。



適切な潤滑油の選択

マッサージ機の塗装に損傷を与えないように、適切な潤滑剤を使用することが重要です。マッサージ機にシリコンが含まれている場合、水系潤滑剤を使用しなくてはなりません。マッサージ機にPU/ABS樹脂が含まれている場合は、オイルフリーの潤滑剤を使用できます。

VARNING

Denna produkt är avsedd att användas som massageapparat. Denna massageapparat är inte en leksak. Förvara utom räckhåll för barn. Endast för extern användning. Vi ansvarar inte för produkten om produkten användes på annat sätt än den avsedda användningen. Vid icke-vattentäta massageapparater måste användaren vara mycket försiktig så att den inte blir våt. När det gäller vattentäta massageapparater, se till att locket är helt påskruvat för att undvika vattenskador. Förvara din massageapparat separat och inte i kombination med andra enheter. Låt massageapparaten svalna innan förvaring. Du bör gå igenom materialförteckningen på förpackningen för att se om föremålet innehåller material som kan orsaka allergiska reaktioner. För att undvika skada eller försämring av redan existerande tillstånd, ska den här enheten inte användas på svullna, inflammerade, infekterade, irriterade områden eller sår i huden. Inga medicinska påståenden är motiverade eller inbegripna i användandet av denna produkt. Vi tar inget ansvar och vi är inte ansvariga för skada som orsakas av användningen av produkterna, oavsett om det är indirekt, speciella, tillfälliga eller följdskador.

90 DAGARS BEGRÄNSAD GARANTI

Om din produkt inte skulle fungera på grund av bristande tillverkning eller material kommer vi att ersätta produkten med en likadan eller liknande produkt inom 90 dagar från inköp. Följ proceduren i garantiformuläret på: [bswish.com/warranty](https://www.bswish.com/warranty)

Ytterligare språk i användarhandboken finns på: [bswish.com/manuals](https://www.bswish.com/manuals)

bswish

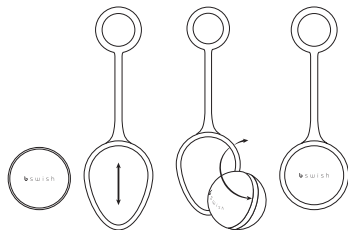
BASICS LINE

Användarmanual

[bswish.com](https://www.bswish.com)
Designad i Kalifornien

HUR DU ANVÄNDER DINA BFIT LOVE BALLS

Primärvikten kan användas individuellt eller kombineras med sekundärvikten med dubbelhållaren. Kulorna väger 24 g. Vikterna har en inre kärna som skapar en vibrerande effekt. För att byta vikter, sträck enkelt ut silikonselen och placera den nya vikten på plats, se till att kanterna sluter ordentligt om vikten.

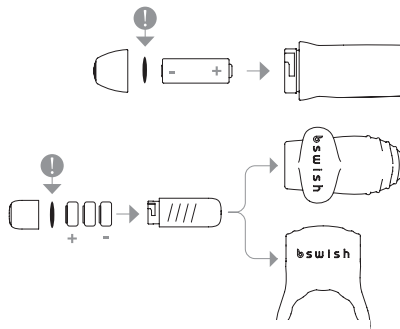


BATTERIINSÄTTNING

Vissa Basic Line massageapparater är batteridrivna. Om din massageapparat inkluderar en motor, är batterierna förinstallerade.

❶ Du behöver aktivera batterierna innan du använder massageapparaten för första gången. För att aktivera, vrid änden av motorn och ta av locket, ta bort förseglingen och sätt sedan tillbaka locket. För att aktivera

❶ Tryck en gång på knappen för att slå på din personliga massageapparat. ❷ Genom att trycka på denna knapp kommer de 5 funktionerna att stegvis köras igenom. ❸ För att stänga av din massageapparat, håll ned knappen i 3 sekunder.



TA HAND OM DIN MASSAGEAPPARAT

Din massageapparats livslängd kommer öka kraftigt med rätt underhåll och omsorg. Se till att tvätta den före första användningen och efter varje användning. Gör rent med en icke-alkoholbaserad antibakteriell tvål och vatten, eller en särskild rengöring för personliga massageapparater. Se till att din massageapparat är helt torr och ta ut batterierna innan du lägger undan den.



VÄLJ ETT PASSANDE GLIDMEDEL

Det är viktigt att använda rätt sorts glidmedel för att undvika skador på massageapparatsens beläggning. Om din massageapparat innehåller silikon måste du använda ett vattenbaserat glidmedel. Om din massageapparat innehåller PU/ABS-plast kan du använda vilket oljefritt glidmedel som helst.

ADVARSEL

Apparatet nævnt her sælges med hensigten at blive brugt som et massageapparat. Massageapparatet er ikke legetøj. Hold udenfor børns rækkevidde. Må kun bruges udvendigt. Vi står ikke til ansvar for produktet, bliver det brugt på andre måder end det er beregnet til. I tilfælde af ikke vandtætte massageapparater skal brugeren være meget forsigtig ikke at gøre apparatet vådt. I tilfælde af ikke-vandtætte massageapparater, sørg for at hættten er skruet helt på for at undgå indre vandskader. Opbevar massageapparatet for sig selv, og ikke sammen med andre enheder eller produkter. Lad massageapparatet køle ned før opbevaring. Du henvises til materialelisten fundet på pakken for at tjekke for materialer som kan fremkalde allergiske reaktioner for brugeren af apparatet. For at undgå skade eller forværring af eventuelle sygdomme / lidelser, undgå brug af apparatet på opsvulmede, betændte, inficerede eller irriterede områder samt flænger / sår. Ingen sundhedsmæssige udsagn er garanteret eller insinueret ved brug af dette produkt. Vi er ikke ansvarlige for, og kan ikke stilles til ansvar for, skader forårsaget af brug af produkterne, hverken indirekte, specielle, uhensigtsmæssige eller direkte.

90-DAGES BEGRÆNSET GARANTI

Hvis dit produkt ikke virker på grund af en fejl i fabrikationen eller materialerne, vil vi erstatte dit produkt med en identisk eller lignende vare indenfor 90 dage efter købet. Følg blot garantiformular-proceduren, som ligger på:

bswish.com/warranty

Yderligere sprog i brugervejledningen er tilgængelige på: **bswish.com/manuals**

bswish

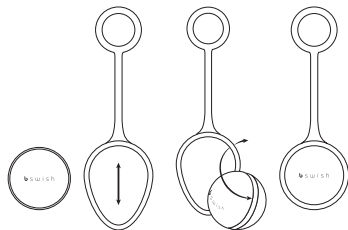
BASICS LINE

Brugervejledning

bswish.com
Designet i Californien

SÅDAN BRUGER DU DINE BFIT LOVE BALLS

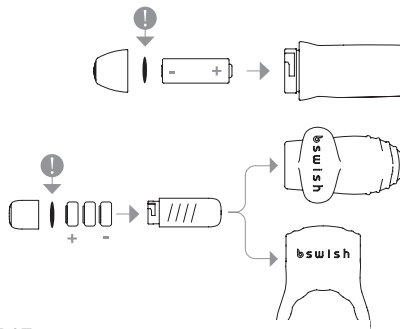
Primærvægten kan bruges individuelt eller kombineres med sekundærvægten med dobbeltholderen. Kuglerne vejer 24 g. Kuglerne har en indre kerne, der skaber en vibrerende effekt. For at skifte vægt skal du blot strække silikonebæltet og placere vægten på plads og sørge for, at kanterne lukker tæt omkring vægten.



BATTERIINDSÆTNING

Nogle Basic Line massageapparater er batteridrevne. Hvis dit massageapparat inkluderer en motor, er batterierne forudinstalleret.

❗ Du skal aktivere batterierne, før du bruger massageapparatet første gang. For at aktivere skal du dreje enden af motoren og fjerne dækslet, fjerne tætningen og derefter sætte dækslet på igen. ❶ Klik på knappen én gang for at tænde for dit personlige massageapparat. ❷ Man kan vælge mellem de 5 funktioner ved at klikke på denne ene knap. ❸ Hold knappen nede i 3 sekunder for at slukke for massageapparatet.



SÅDAN PASSER DU PÅ DIT MASSAGEAPPARAT

Dit massageapparats levetid vil blive øget væsentligt med ordentlig vedligeholdelse og pleje. Sørg for at vaske det før første anvendelse og efter hver anvendelse. Rengør det med en alkoholfri, antibakteriel sæbe og vand, eller en dedikeret renser til personlige massageapparater. Sørg for at dit massageapparat er helt tørt og fjern batterierne før opbevaring.



SÅDAN VÆLGER DU DET KORREKTE GLIDECREME

Det er vigtigt at bruge det korrekte glidecreme for at undgå at beskadige belægningen på dit massageapparat. Hvis dit massageapparat indeholder silikone, skal du bruge et vandbaseret glidecreme. Hvis dit massageapparat indeholder PU/ABS-plastik, kan du bruge enhver form for oliebaseeret glidecreme.