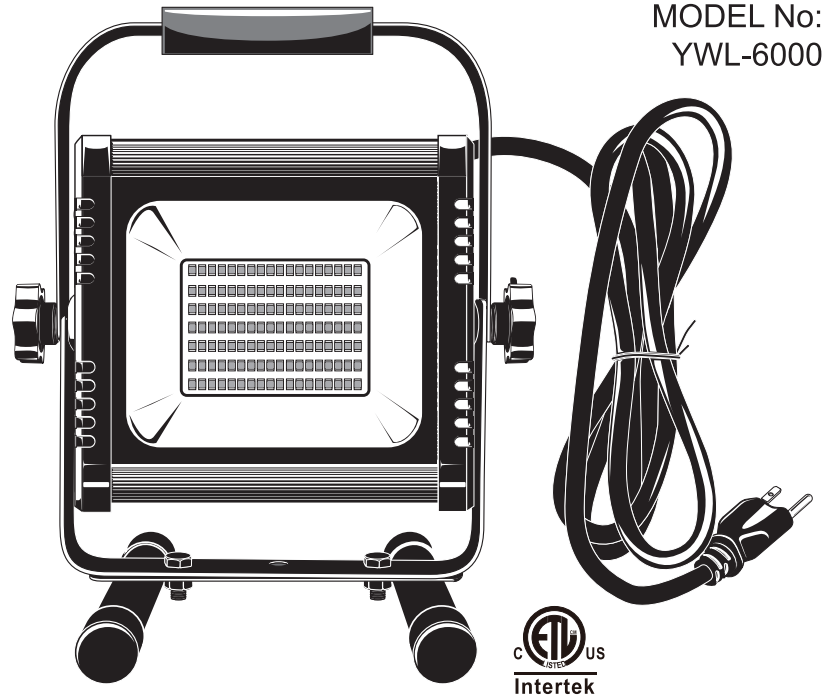
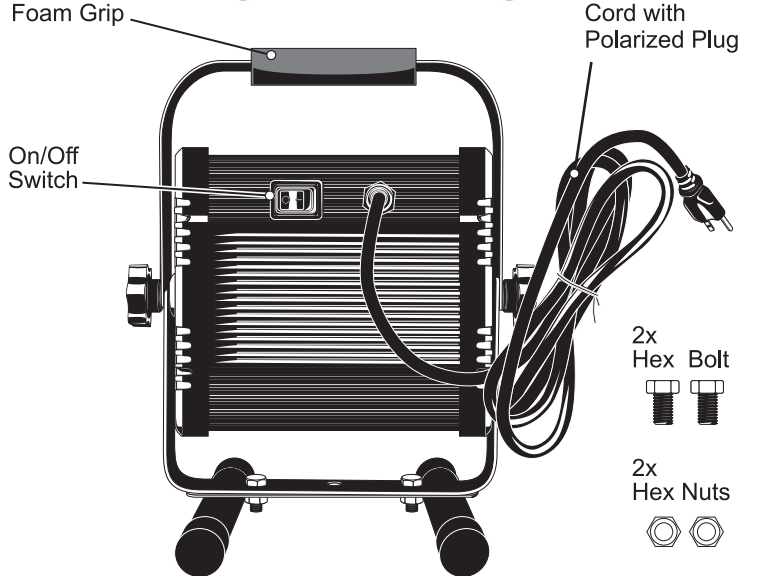
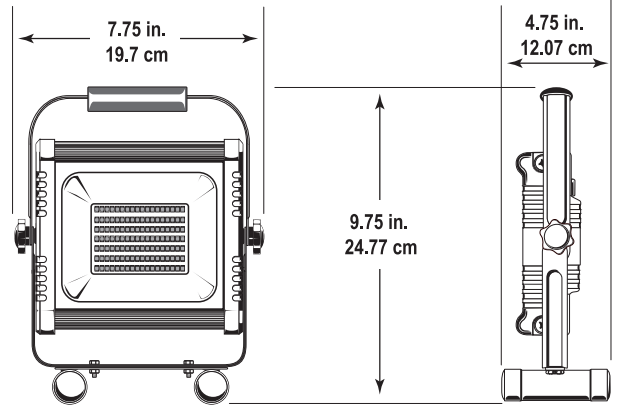
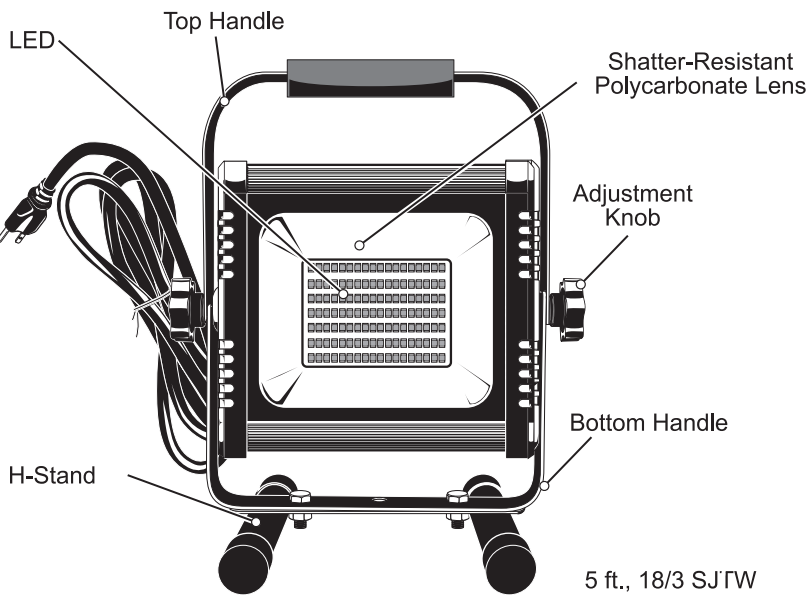


# 6000 Lumen LED Work Light



## PACKAGE CONTENTS



### LED Facts:

Color Temperature: 4000K (Bright)  
 Operating Voltage: 120v  
 LED Life: 50,000 hours  
 Cord Type: 18/3 SJTW  
 Cord Length: 5 ft.

**This fixture is rated for indoor/outdoor use.**

## ⚠️ WARNINGS

⚠️ **WARNING:** Avoid using this product in the immediate vicinity of highly flammable materials, liquids and gases.

⚠️ **WARNING:** This light is not waterproof.

⚠️ **WARNING:** Do **NOT** look directly at LED light sources.

⚠️ **WARNING:** The plug is fashioned to only fit in a grounded outlet. Never use with an extension cord unless plug can be fully inserted. **DO NOT ALTER THE PLUG OR CORD.**

⚠️ **WARNING:** DO NOT alter or disassemble the fixture. It is completely enclosed and does not contain replaceable or serviceable parts.

⚠️ **WARNING:** Avoid direct contact with water.

⚠️ **WARNING:** Use only in 120VAC, 60Hz circuits.

⚠️ **WARNING:** DO NOT use with extension cord near water or wherever water may accumulate.

## ⚠️ SAFETY AND PRECAUTIONS

1. Suitable for indoor and outdoor use. Not to be used in direct contact with water.
2. **Do NOT** look directly at LED light sources.
3. The LED modules used in this fixture are not serviceable.
4. This product is inspected prior to shipping. Do not use if product is cracked, broken or missing parts.
5. Suitable for use in operating environments ranging between -13° to 122° F (-25° to 50° C). Lifetime of this product may be reduced with prolonged exposure to extreme temperatures.

## DIMMING

- **DO NOT USE THIS FIXTURE WITH DIMMERS.**  
Doing so will void the warranty of this product.

## ADDITIONAL WARNINGS

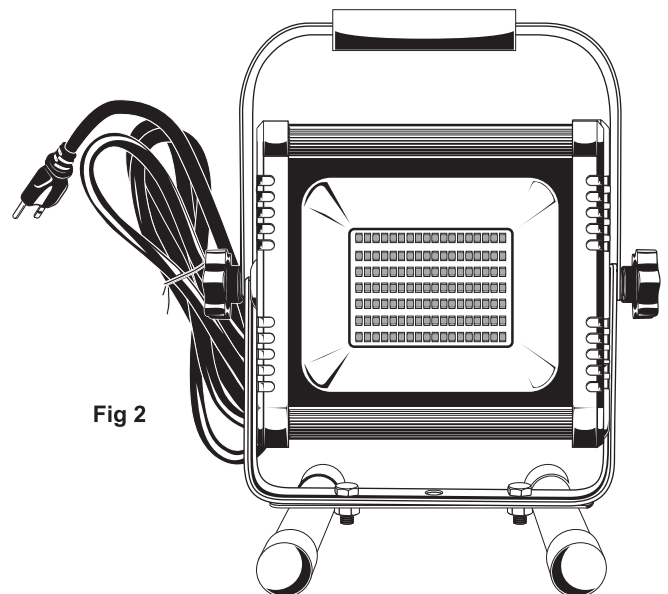
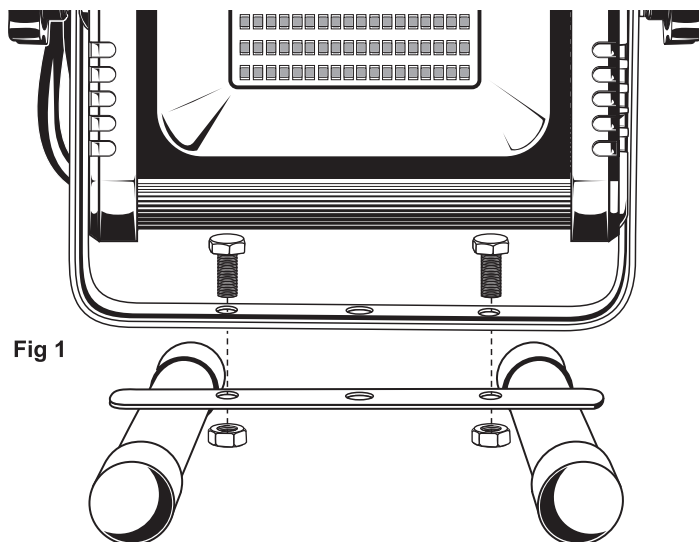
This device complies with Part 15 of the FCC rules. Operation is subject to the following two conditions: (1) This device may not cause harmful interference, and (2) this device must accept any interference received, including interference that may cause undesired operation. Warning: Changes or modifications to this unit not expressly approved by the party responsible for compliance could void the user's authority to operate the equipment.

The user is cautioned that any changes or modifications not expressly approved by the party responsible for compliance could void the user's authority to operate the equipment. Note: This equipment has been tested and found to comply with the limits for a Class B digital device, pursuant to Part 15 of the FCC rules. These limits are designed to provide reasonable protection against harmful interference in a residential installation. This equipment generates, uses and can radiate radio frequency energy and, if not installed and used in accordance with the instructions, may cause harmful interference to radio communications. However, there is no guarantee that the interference will not occur in a particular installation. If this equipment does cause harmful interference to radio or television reception, which can be determined by turning the equipment off and on, the user is encouraged to try to correct the interference by one or more of the following measures:

- 1) Reorient or relocate the receiving antenna.
- 2) Increase the separation between the equipment and receiver.
- 3) Connect the equipment into an outlet on a circuit different from that of the receiver.
- 4) Consult the dealer or an experienced radio/TV technician for help.

## ASSEMBLY INSTRUCTIONS

1. Align the outside holes in both the H-stand and the bottom handle of the light, insert both bolts and hex nuts (**Fig 1**). Tighten bolts down until H-stand is firmly attached (**Fig 2**).



## OPERATION

The light is equipped with an adjustable base to freely readjust the direction of the light.

1. To adjust the light, loosen both knobs on the sides by turning them in a counterclockwise manner (**Fig 3**). Pivot the light body to redirect the light. Once the light is in desired position, turn the knobs clockwise to tighten (**Fig 4**).

Fig 3

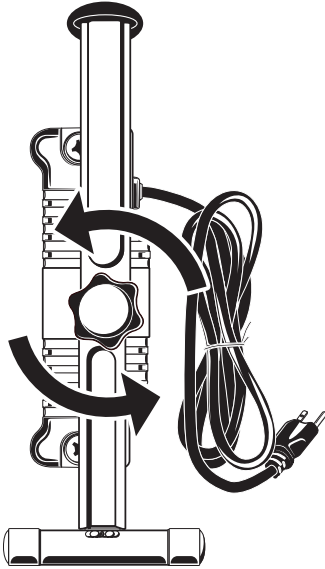
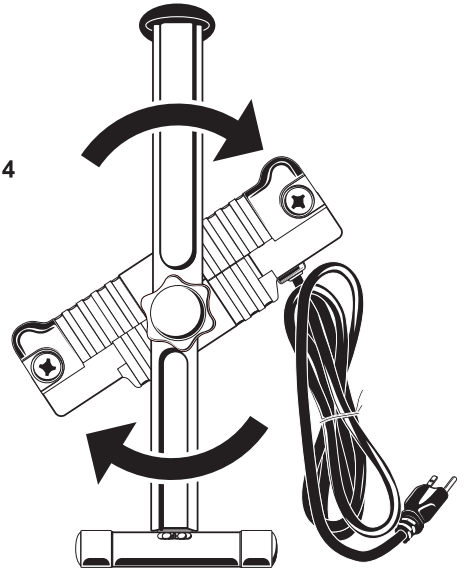
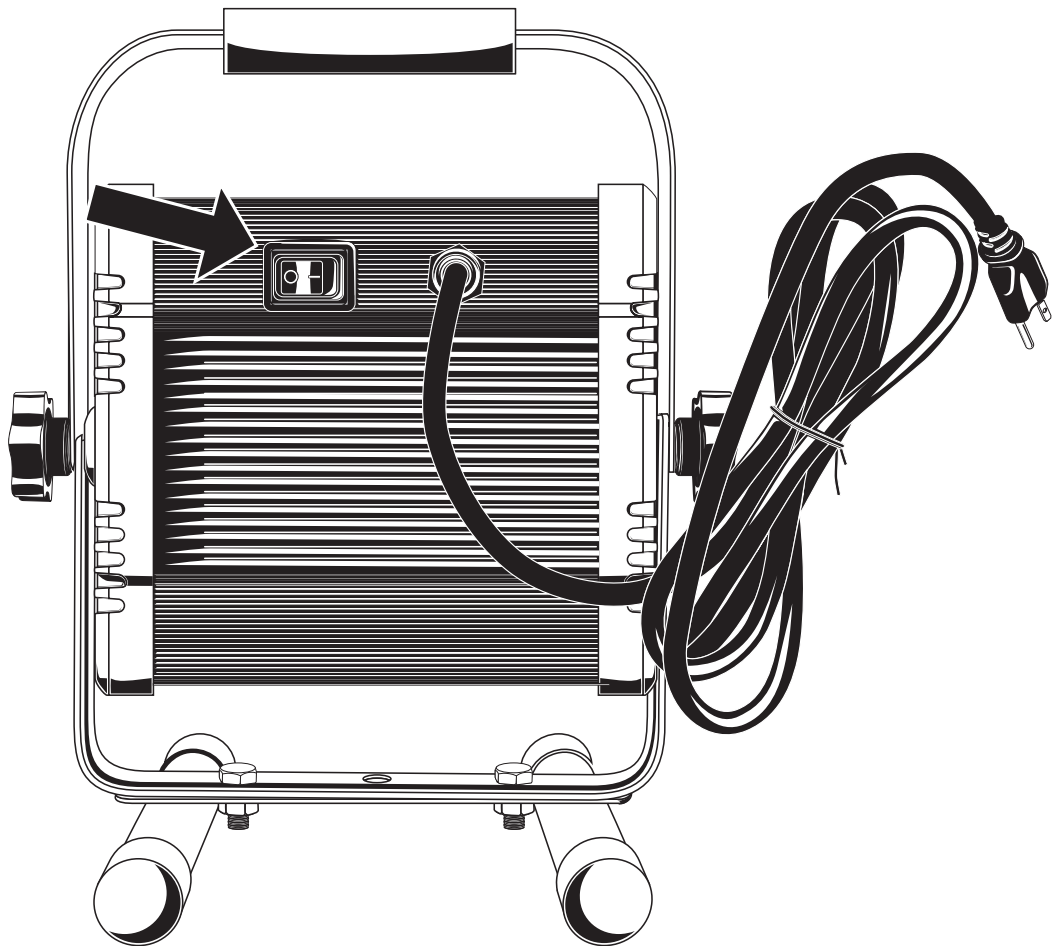


Fig 4



2. To turn light on and off press ON/OFF button located on the back side of light (**Fig 5**).

Fig 5



## CLEANING INSTRUCTIONS

Using a soft cloth, clean the fixture using a mild, non-abrasive glass cleaner. DO NOT use solvents. DO NOT use cleaners containing abrasive agents. NEVER spray liquid cleaner directly onto the light or LED.

## TROUBLESHOOTING GUIDE

Problem	Probable Cause	Solution
Light does not turn on.	<ol style="list-style-type: none"><li>1. Switch is off.</li><li>2. Not plugged in.</li><li>3. Light malfunction.</li></ol>	<ol style="list-style-type: none"><li>1. Turn on switch.</li><li>2. Plug cord in.</li><li>3. E-mail <a href="mailto:info@stonepointledlighting.com">info@stonepointledlighting.com</a>.</li></ol>
Circuit breaker trips or fuse blows when light is turned on.	<ol style="list-style-type: none"><li>1. Discontinue use immediately.</li></ol>	<ol style="list-style-type: none"><li>1. Call an electrician.</li></ol>
Stand will not stay up.	<ol style="list-style-type: none"><li>1. Knobs are not tight.</li><li>2. Stand legs are too close together.</li></ol>	<ol style="list-style-type: none"><li>1. Tighten knobs.</li><li>2. Re-adjust position of stand legs.</li></ol>

## 2 YEAR LIMITED WARRANTY

This product is guaranteed against failure due to factory defects in materials or workmanship for two (2) years from the date of purchase. This warranty is non-transferable and applies only to the original owner. Proof of purchase is required for repair or replacement. This warranty does not cover normal wear of parts or damage resulting from any misuse of the product. Misuse of the product includes, but is not limited to: washing the product, using in extreme weather conditions, opening the product, or trying to remodel the product. Important: this warranty is only valid if the product has been purchased through an authorized reseller.



## CUSTOMER SERVICE

For questions regarding this product, please e-mail us at [info@stonepointledlighting.com](mailto:info@stonepointledlighting.com).