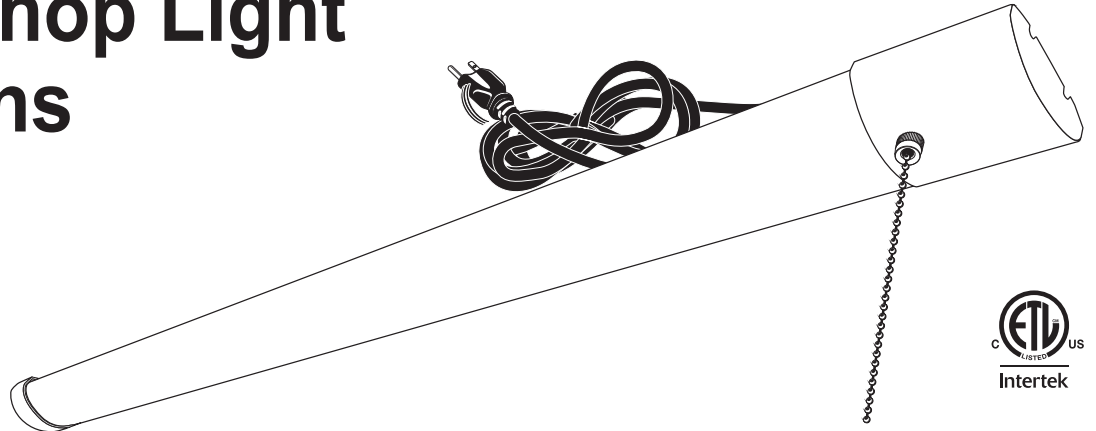
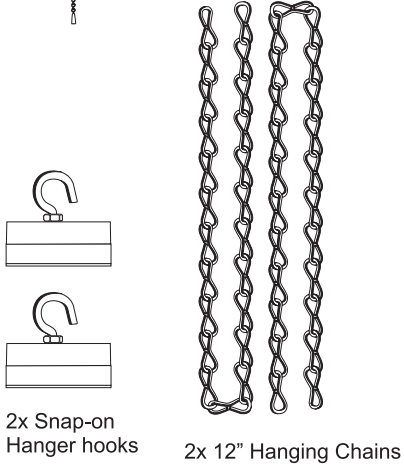
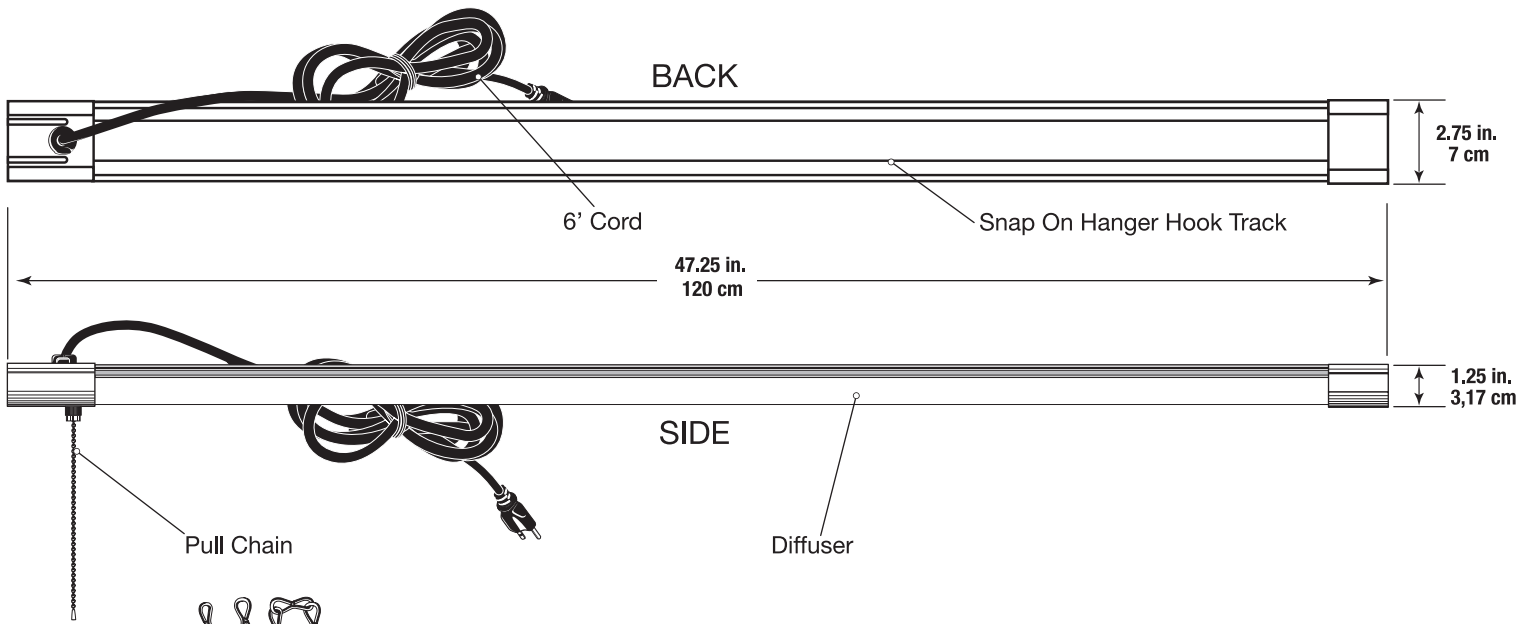


# 4 ft. LED Shop Light 5000 lumens



## PACKAGE CONTENTS



**Product Facts:**  
 Color Temperature: 4000K  
 LED Life: 50,000 hours  
 Operating Voltage: 120v  
 Cord Type: 18/3 SJT  
 Cord Length: 6 ft.

Electrical requirements can be found on fixture.  
 Use with a minimum 90° C supply conductors.

This fixture is rated for indoor use.

## ⚠️ WARNINGS

**⚠️ WARNING:** This product may represent a possible shock or fire hazard if improperly installed or mounted. Products should be installed following these instructions, local electrical codes and/or the current National Electric Code (NEC).

**⚡ WARNING: TO AVOID ELECTRIC SHOCK, DISCONNECT POWER BEFORE INSTALLING**

**⚠️ WARNING:** DO NOT alter or disassemble the fixture it is completely enclosed and does not contain replaceable or serviceable parts.

**⚠️ WARNING:** Before installation, plug in fixture to a 120v, 60Hz electrical outlet to check for proper operation. Then, unplug and begin the installation.

**⚠️ WARNING:** Use only in 120v, 60Hz circuits.

**⚠️ CAUTION:** Personal injury can occur, along with damage to the fixture and/or mounting surface may result if the fixture is pulled from the surface. To prevent premature failure from overheating, fixture should only be installed in environments where the operating temperatures are between -4° to 104°F (-20° to 40° C).

**⚠️ WARNING:** Do **NOT** look directly at LED light sources.

**⚠️ WARNING:** This product has a grounded plug (two contact blades and a grounding prong) as a feature to reduce the risk of electric shock. The plug is fashioned to only fit in a grounded outlet one way. If it does not fit, contact a qualified electrician. Never use with an extension cord unless plug can be fully inserted. **DO NOT ALTER THE PLUG OR CORD.**

## ⚠️ SAFETY AND PRECAUTIONS

### • Shut off power to electrical outlet before installing or servicing this fixture.

1. Suitable for indoor use only.
2. Do **NOT** install over stoves.
3. Do **NOT** look directly at LED light sources.
4. The LED modules used in this fixture are not serviceable.
5. **This product is inspected prior to shipping.** Do not use if product is cracked, broken or missing parts.
6. Suitable for use in operating environments ranging between -4° to 104°F (-20° to 40° C).
7. Electrical requirements can be found on back of the fixture.
8. If unsure how to install a light fixture, call a qualified electrician.

## ADDITIONAL WARNINGS

This device complies with Part 15 of the FCC rules. Operation is subject to the following two conditions: (1) This device may not cause harmful interference, and (2) this device must accept any interference received, including interference that may cause undesired operation. Warning: Changes or modifications to this unit not expressly approved by the party responsible for compliance could void the user's authority to operate the equipment. The user is cautioned that any changes or modifications not expressly approved by the party responsible for compliance could void the user's authority to operate the equipment. Note: This equipment has been tested and found to comply with the limits for a Class B digital device, pursuant to Part 15 of the FCC rules. These limits are designed to provide reasonable protection against harmful interference in a residential installation. This equipment generates, uses and can radiate radio frequency energy and, if not installed and used in accordance with the instructions, may cause harmful interference to radio communications. However, there is no guarantee that the interference will not occur in a particular installation. If this equipment does cause harmful interference to radio or television reception, which can be determined by turning the equipment off and on, the user is encouraged to try to correct the interference by one or more of the following measures: 1) Reorient or relocate the receiving antenna. 2) Increase the separation between the equipment and receiver. 3) Connect the equipment into an outlet on a circuit different from that of the receiver. 4) Consult the dealer or an experienced radio/TV technician for help.

## DIMMING

### • DO NOT USE THIS FIXTURE WITH DIMMERS.

Doing so will void the warranty of this product.

# INSTALLATION INSTRUCTIONS

Before installation, cut off power to the electrical outlet.

1. Install the snap-on hanger hooks to the back side of the fixture along the mounting track that runs most of the length of the fixture (**Fig. 1**). Hook to one side (**Fig. 2**) and press down (**Fig. 3**) until the hook snaps on (**Fig. 4**).

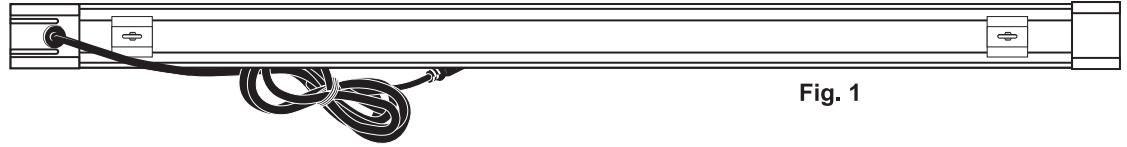


Fig. 1

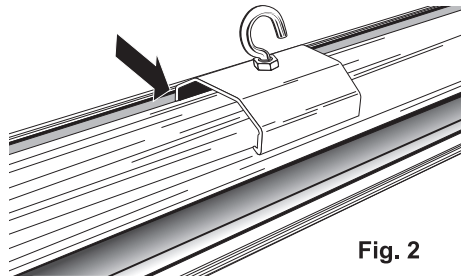


Fig. 2

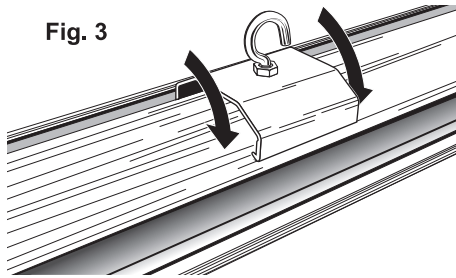


Fig. 3

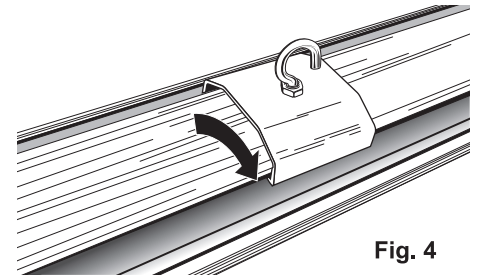


Fig. 4

Prior to installation, determine where the fixture will be located. Be sure to locate fixture within 6 ft of the power supply.

2. Attach the chains to the ceiling (The actual mounting of the chains to the ceiling is not covered in these instructions). Establish the height the fixture will be suspended. Insert hook into the loop of the chain (**Fig. 5**). Chain is only designed to hold the weight of the fixture safely.

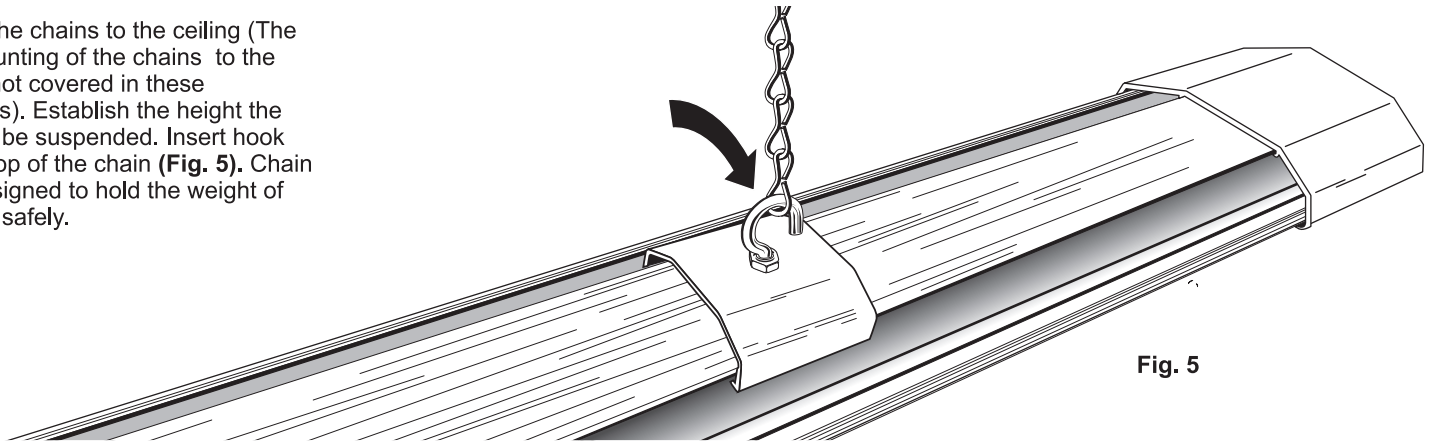


Fig. 5

3. Your installation is now complete (**Fig. 6**). Plug the fixture in.

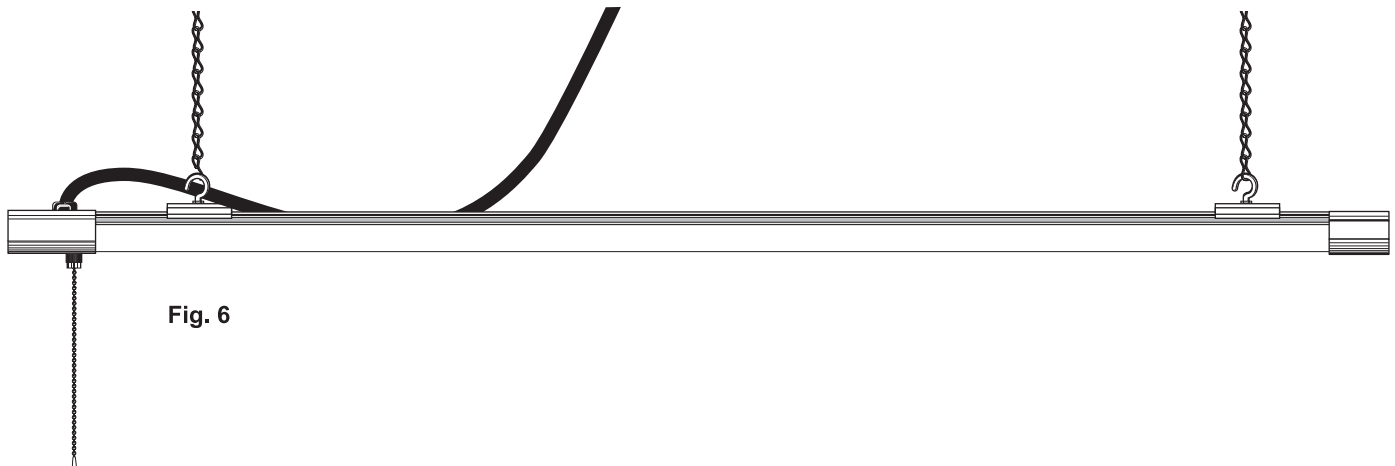


Fig. 6

## OPERATION

1. Pull switch chain down to turn ON and OFF (Fig 7).

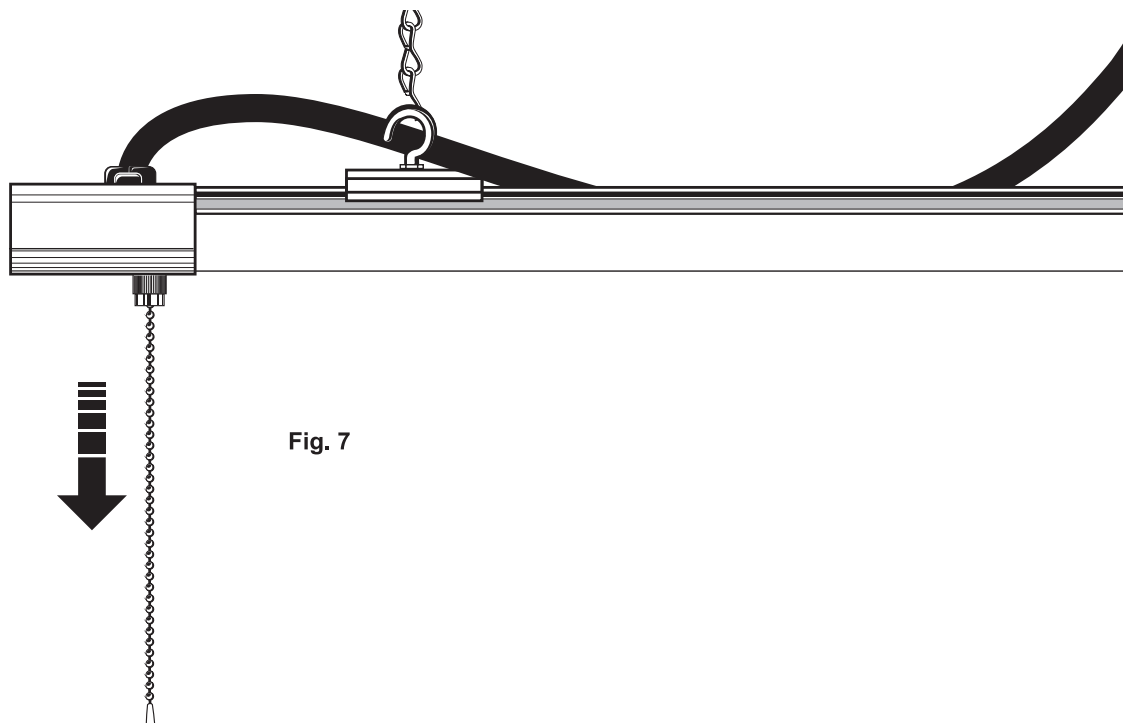


Fig. 7

## CLEANING INSTRUCTIONS

Disconnect power to fixture before cleaning. Using a soft cloth, clean the fixture using a mild, non-abrasive glass cleaner. DO NOT use solvents. DO NOT use cleaners containing abrasive agents. NEVER spray liquid cleaner directly onto the LEDs, fixture or wiring.

## TROUBLESHOOTING GUIDE

*Before starting work to connect the fixture, shut off power supply at the circuit breaker panel to avoid electrical shock.*

Problem	Probable Cause	Solution
Fixture does not turn on.	1. Faulty switch. 2. Power is off.	1. Test switch or replace it. 2. Verify power supply is on.
Circuit breaker trips or fuse blows when light is turned on.	1. Discontinue use immediately.	1. Call an electrician.

## 5 YEAR LIMITED WARRANTY

This product is guaranteed against failure due to factory defects in materials or workmanship for five (5) years from the date of purchase. This warranty is non-transferable and applies only to the original owner. Proof of purchase is required for repair or replacement. This warranty does not cover normal wear of parts or damage resulting from any misuse of the product. Misuse of the product includes, but is not limited to: washing the product, using in extreme weather conditions, opening the product, or trying to remodel the product. Important: this warranty is only valid if the product has been purchased through an authorized reseller. Returns and/or warranty replacements must be processed at the original place of purchase.

## CUSTOMER SERVICE

Stonepoint LED Lighting is a registered trademark of GT Industrial Products.  
For questions regarding this product, please e-mail or call GT customer service at [info@gt-ind.com](mailto:info@gt-ind.com) or 1-800-865-6799.