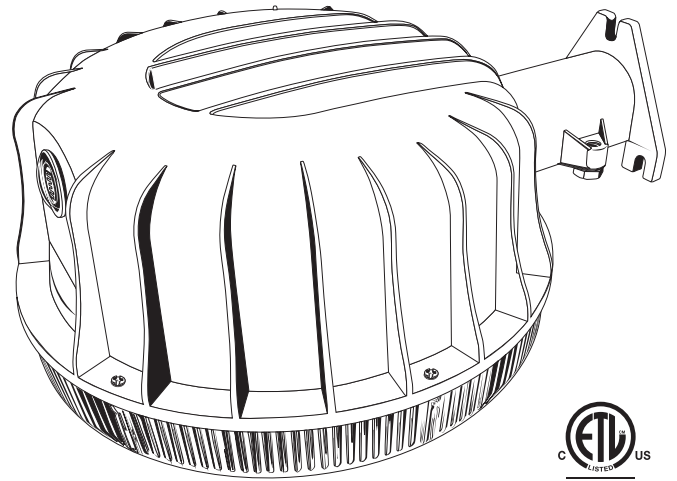
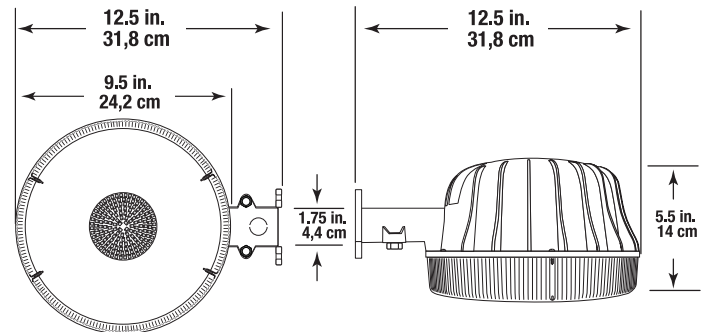
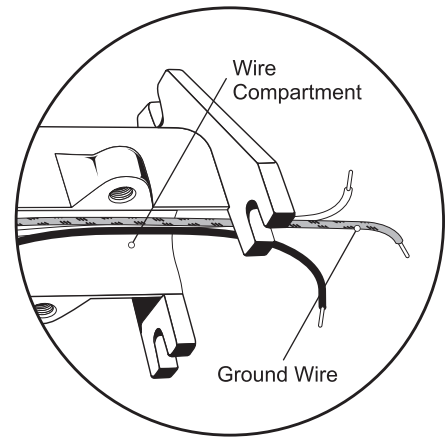
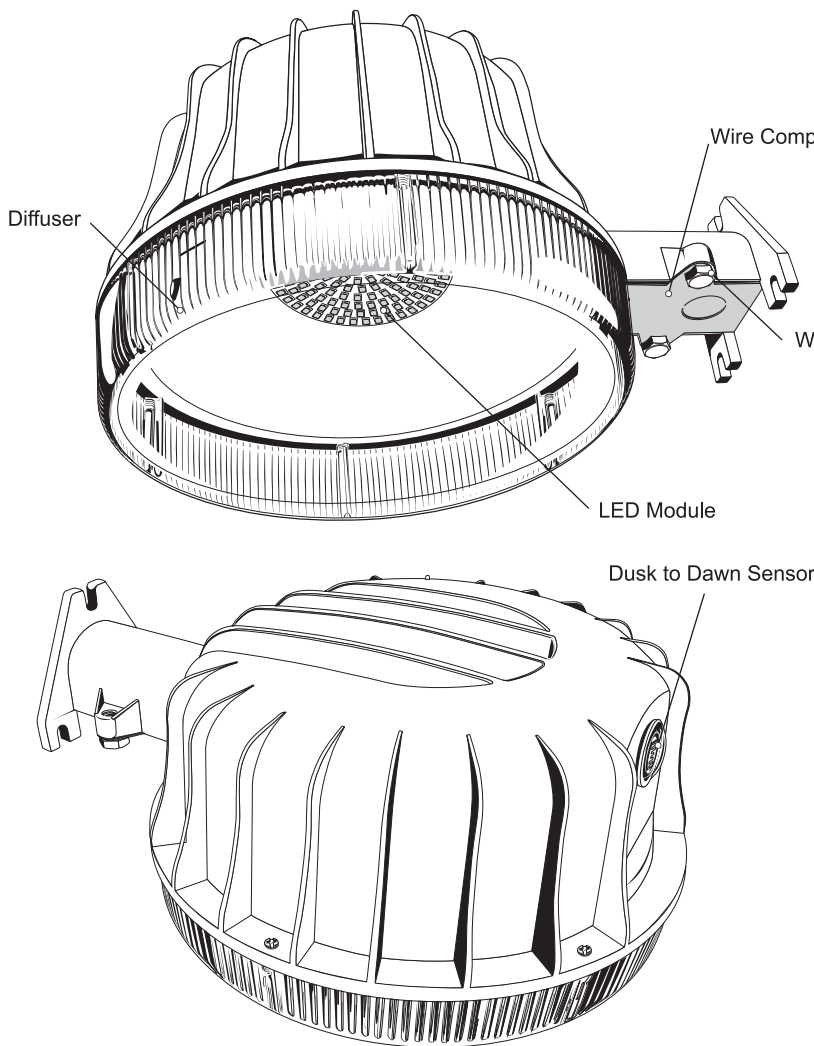


LED Dusk To Dawn 12,000 Lumen Utility Light



PACKAGE CONTENTS



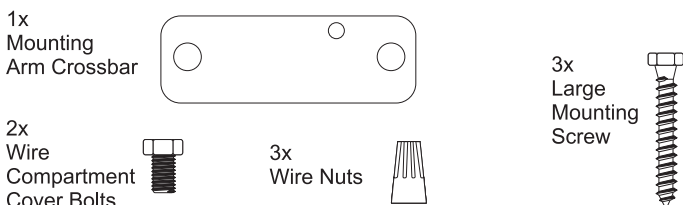
LED Facts:

Color Temperature: 4000K
Operating Voltage: 110-240v
LED Life: 50,000 hours

This fixture is rated for indoor/outdoor use.

This unit has a dusk-to-dawn sensor that automatically turns the light on at dusk and off at dawn.

Mount fixture between 8 ft. and 12 ft. off the ground.
Electrical requirements can be found on fixture.
Use with a Minimum 90° supply conductors.



⚠️ WARNINGS

⚠️ WARNING: This product may represent a possible shock or fire hazard if improperly installed or mounted. Products should be installed following these instructions, local electrical codes and/or the current National Electric Code (NEC).

⚡ WARNING: TO AVOID ELECTRIC SHOCK, DISCONNECT POWER BEFORE INSTALLING

⚠️ WARNING: This product needs to be grounded properly in a manner consistent with local electrical codes and/or the current National Electric Code (NEC). If the installer cannot determine if this product is properly grounded, has no ground wire, or is unfamiliar with electrical wiring methods of properly grounding fixture, consult a qualified electrician.

⚠️ WARNING: DO NOT alter or disassemble the fixture it is completely enclosed and does not contain replaceable or serviceable parts.

⚠️ CAUTION: Personal injury can occur, along with damage to the fixture and/or mounting surface may result if the fixture is pulled from the surface. To prevent premature failure from overheating, fixture should only be installed in environments where the operating temperatures are between -13° to 122°F (-25° to 50° C). Do not install in a totally enclosed (no ventilation) area.

⚠️ WARNING: To prevent wire damage, do not expose wiring to edges of sheet metal or other sharp objects.

⚠️ WARNING: Use only in 110-240v, 60Hz circuits.

⚠️ WARNING: Do NOT look directly at LED light sources.

⚠️ WARNING: Do NOT mount on ground.

⚠️ SAFETY AND PRECAUTIONS

• **Shut off power at the circuit breaker or fuse box before installing or servicing this fixture.**

1. Suitable for indoor and outdoor locations.
2. Do **NOT** touch LEDs.
3. Do **NOT** look directly at LED light sources.
4. The LED modules used in this fixture are not serviceable.
5. Do NOT make contact or install fixture while making contact with water.
6. NOT suitable for ground installations. Mount between 8 ft. to 12 ft. off the ground.
7. **This product is inspected prior to shipping.** Do not use if product is cracked, broken or missing parts.
8. Suitable for use in operating environments ranging between -13° to 122°F (-25° to 50° C).
9. Do **NOT** leave bare wires exposed outside of the electrical connections.
10. Electrical requirements can be found on back of the fixture.
11. If unsure how to install a light fixture, call a qualified electrician.

ADDITIONAL WARNINGS

This device complies with Part 15 of the FCC rules. Operation is subject to the following two conditions: (1) This device may not cause harmful interference, and (2) this device must accept any interference received, including interference that may cause undesired operation. Warning: Changes or modifications to this unit not expressly approved by the party responsible for compliance could void the user's authority to operate the equipment. The user is cautioned that any changes or modifications not expressly approved by the party responsible for compliance could void the user's authority to operate the equipment. Note: This equipment has been tested and found to comply with the limits for a Class B digital device, pursuant to Part 15 of the FCC rules. These limits are designed to provide reasonable protection against harmful interference in a residential installation. This equipment generates, uses and can radiate radio frequency energy and, if not installed and used in accordance with the instructions, may cause harmful interference to radio communications. However, there is no guarantee that the interference will not occur in a particular installation. If this equipment does cause harmful interference to radio or television reception, which can be determined by turning the equipment off and on, the user is encouraged to try to correct the interference by one or more of the following measures: 1) Reorient or relocate the receiving antenna. 2) Increase the separation between the equipment and receiver. 3) Connect the equipment into an outlet on a circuit different from that of the receiver. 4) Consult the dealer or an experienced radio/TV technician for help.

DIMMING

- **DO NOT USE THIS FIXTURE WITH DIMMERS.**
Doing so will void the warranty of this product.

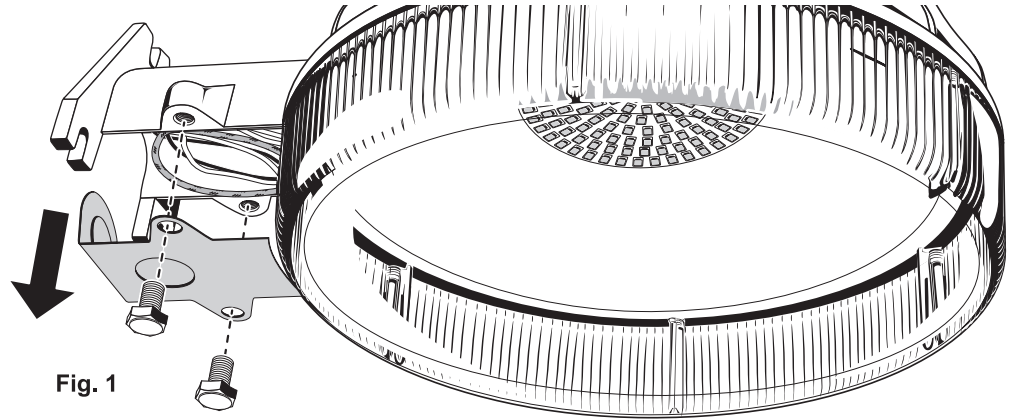
CLEANING INSTRUCTIONS

Disconnect power to fixture before cleaning. Using a soft cloth, clean the fixture using a mild, non-abrasive glass cleaner. DO NOT use solvents. DO NOT use cleaners containing abrasive agents. NEVER spray liquid cleaner directly onto the LEDs, fixture or wiring.

WALL MOUNT INSTRUCTIONS

Before beginning, disconnect the power to the junction box. If replacing an existing fixture with more than two wire leads, make a note as to where they were connected.

1. Unscrew both wire compartment cover bolts and remove the wire compartment cover (Fig. 1).



2. The wire compartment cover has two knockouts on it. For wall mount installations, remove the knockout on the back side (Fig. 2). If mounting the fixture to a pole using conduit or a strain relief, remove the bottom knock out (Fig. 3). Attach the non-metallic clamp connector, strain relief or conduit connector where the knock-out was removed. Feed the wires through the connectors prior to re-attaching the wire compartment cover.

Fig. 2

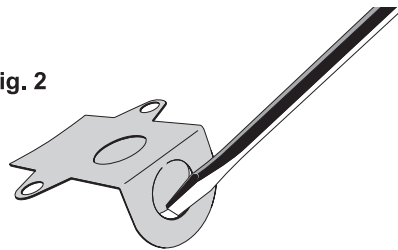
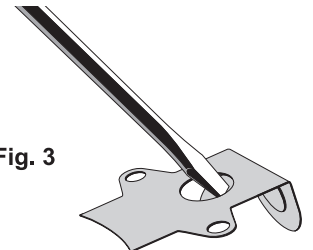


Fig. 3

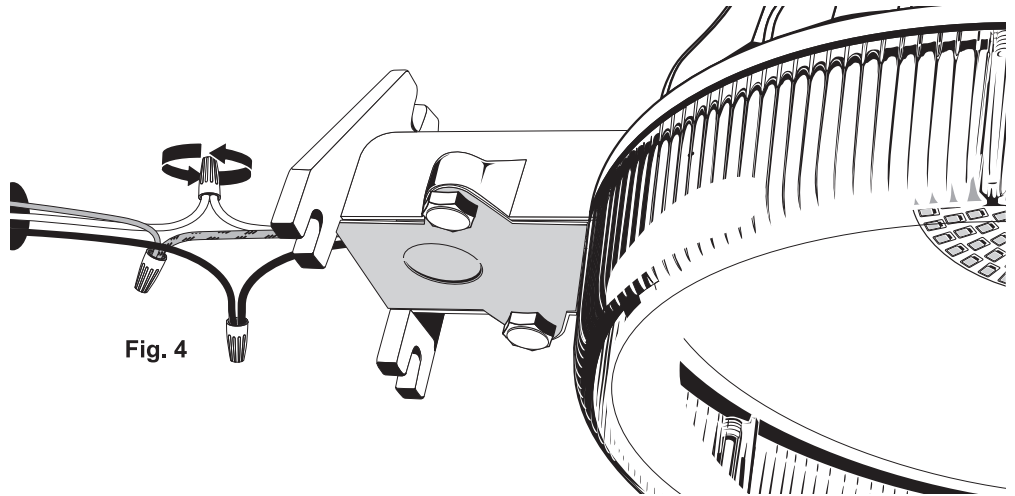


3. For safety and proper operation, your fixture must be properly grounded. Connect the yellow and green ground wire attached to the fixture with the ground wire from the junction box together with a wire nut (Fig. 4). If you are unfamiliar with the methods of properly grounding your fixture, consult a qualified electrician.

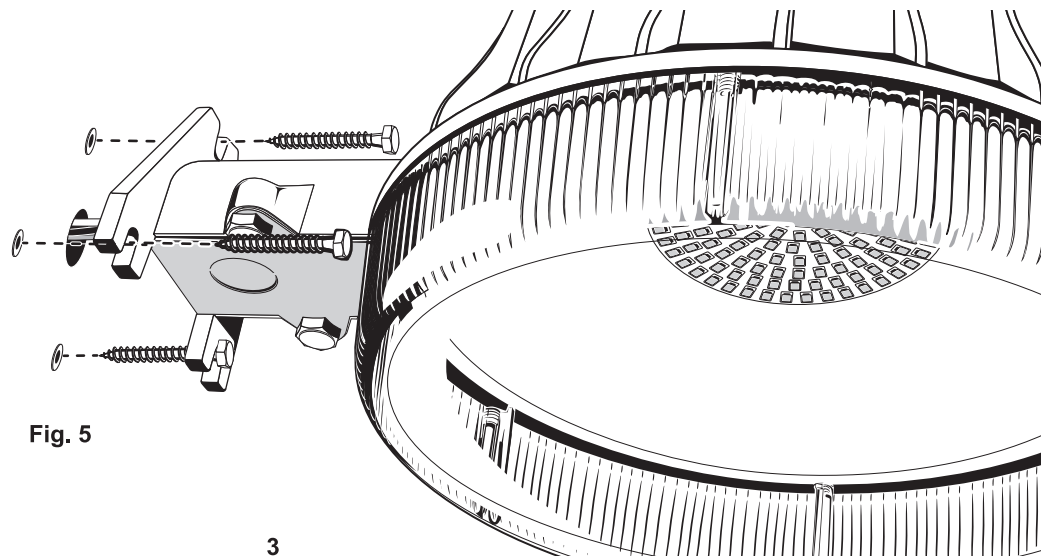
Using the remaining included wire nuts, connect the white supply wire to the white (NEUTRAL) fixture wire and the black supply wire to the black (LIVE) fixture wire.

Tuck all connections back into wire compartment prior to mounting.

Fig. 4



4. For mounting to the side of a building or a pole, (other than an outdoor mounting arm*) attach the light by using the 3 included large screws at the mounting base (Fig. 5). Predrill mounting holes into the surface and install the appropriate anchors prior to mounting the fixture to surfaces other than wood. After all 3 screws are tightened and are secured to the surface, restore power.



* Outdoor mounting arm sold separately.

MOUNTING ARM INSTALLATION

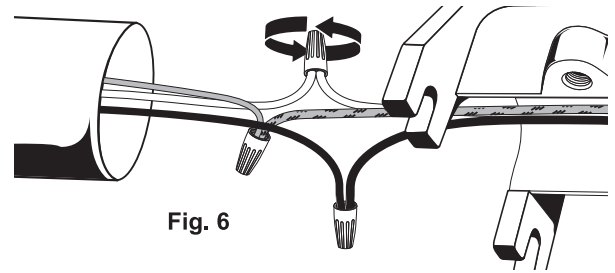
Before beginning, disconnect the power to the junction box. If replacing an existing fixture with more than two wire leads, make a note as to where they were connected.

1. Remove both wire compartment cover bolts and remove the wire compartment cover (Fig.1).

2. **For safety and proper operation, your fixture must be properly grounded.** Connect the yellow and green ground wire attached to the fixture with the ground wire from the junction box together with a wire nut (Fig. 6). If you are unfamiliar with the methods of properly grounding your fixture, consult a qualified electrician.

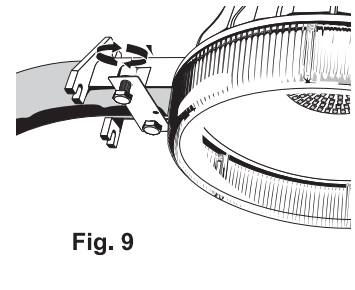
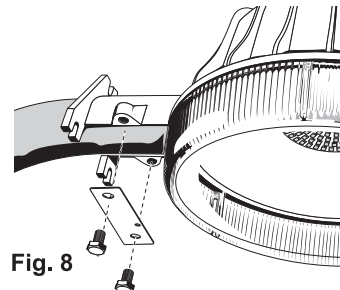
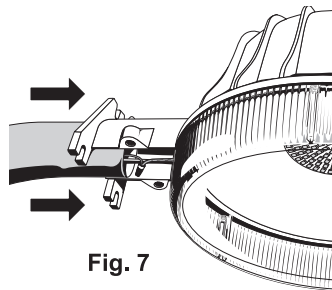
Using the included wire nuts, connect the white supply wire to the white (NEUTRAL) fixture wire and the black supply wire to the black (LIVE) fixture wire.

Tuck connections back into the mounting arm as the opening passes over them.



Do not pinch the wires while installing the fixture onto the mounting arm.

3. For mounting on a standard 2 in. diameter mounting arm*, slide the fixture mounting base carefully over the mounting arm while tucking the wires into the mounting arm until it is fully seated against the fixture (Fig. 7). Use the included mounting arm crossbar to secure the light to the mounting arm by aligning the holes (Fig. 8). Tighten both bolts down (Fig. 9).



* Outdoor mounting arm sold separately.

TROUBLESHOOTING GUIDE

Before starting work to connect the fixture, shut off power supply at the circuit breaker panel to avoid electrical shock.

Problem	Probable Cause	Solution
Fixture does not turn on.	<ol style="list-style-type: none"> 1. Bad connection. 2. Faulty switch. 3. Power is off. 	<ol style="list-style-type: none"> 1. Check wiring connections. 2. Test switch or replace it. 3. Verify power supply is on.
Light comes on during the daylight hours.	<ol style="list-style-type: none"> 1. Fixture is located in a shaded area; dusk-to-dawn sensor is detecting darkness. 2. Dusk-to-dawn sensor may be malfunctioning. 	<ol style="list-style-type: none"> 1. Shine a light at the dusk-to-dawn sensor. If the security light immediately shuts off, then the fixture is located in an area that is too dark to allow enough light to enter the sensor. The light will need to be relocated. 1. Call an electrician.
Light cycles ON and OFF continuously (strobe light effect).	<ol style="list-style-type: none"> 1. Dusk-to-dawn sensor is detecting reflected light from the security light. 	<ol style="list-style-type: none"> 1. Change the position of the light head. Reposition light away from the reflecting surface. 2. Place a small piece of black electrical tape over the bottom half of the dusk-to-dawn sensor. 3. Move the light to a different location where the results are better.
Circuit breaker trips or fuse blows when light is turned on.	<ol style="list-style-type: none"> 1. Discontinue use immediately. 	<ol style="list-style-type: none"> 1. Call an electrician.

5 YEAR LIMITED WARRANTY

This product is guaranteed against failure due to factory defects in materials or workmanship for five (5) years from the date of purchase. This warranty is non-transferable and applies only to the original owner. Proof of purchase is required for repair or replacement. This warranty does not cover normal wear of parts or damage resulting from any misuse of the product. Misuse of the product includes, but is not limited to: washing the product, using in extreme weather conditions, opening the product, or trying to remodel the product. Important: this warranty is only valid if the product has been purchased through an authorized reseller.

CUSTOMER SERVICE

Stonepoint LED Lighting is a registered trademark of GT Industrial Products. For questions regarding this product, please e-mail or call GT customer service at info@gt-ind.com or 1-800-865-6799.