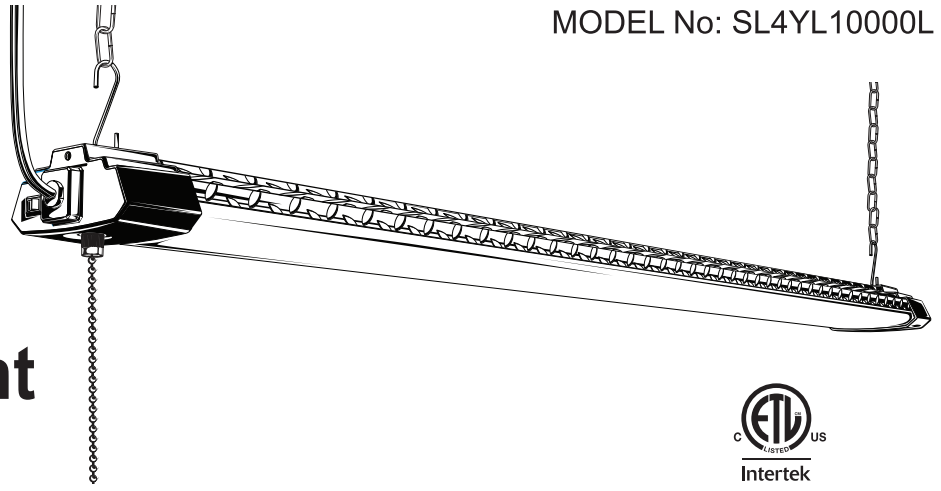
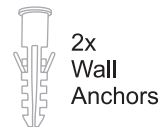
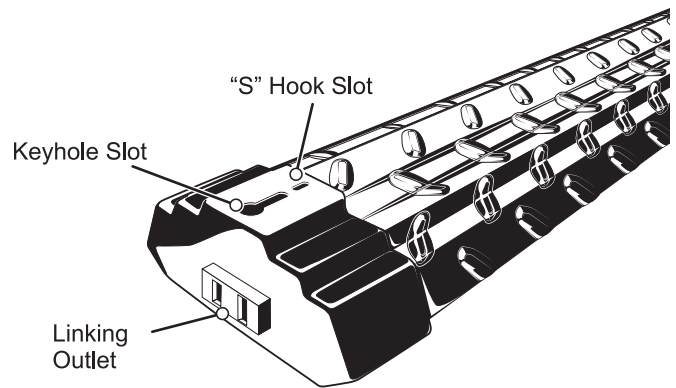
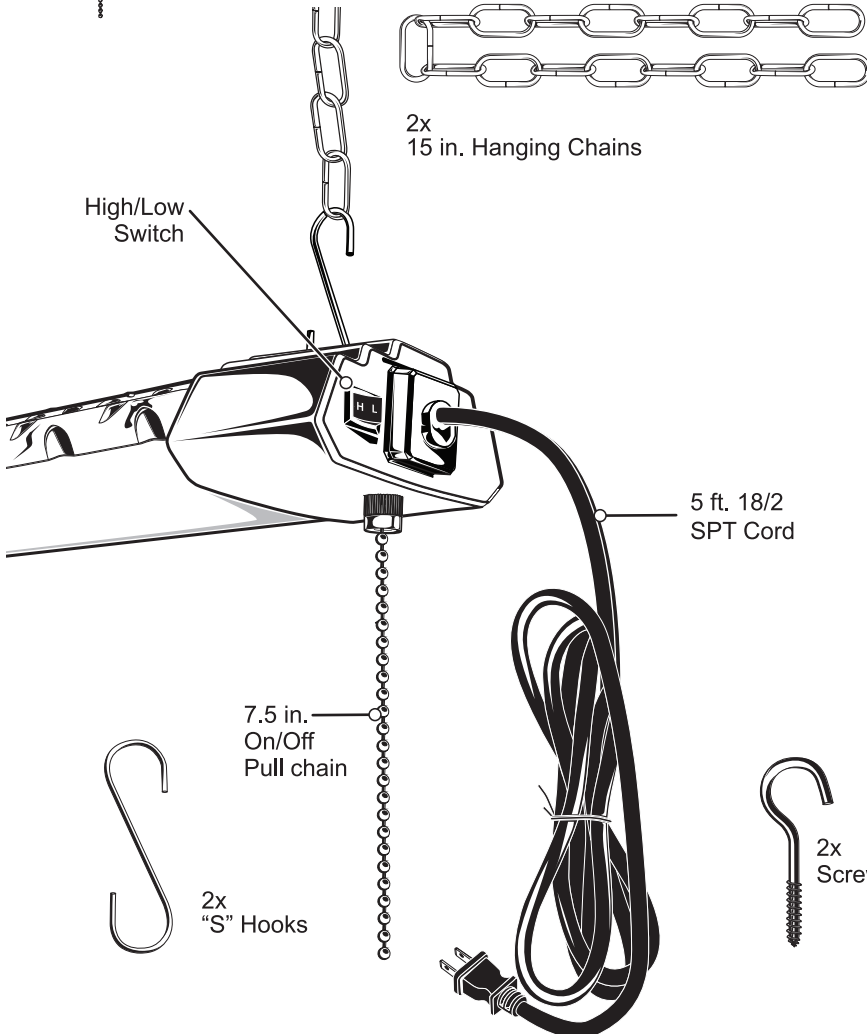
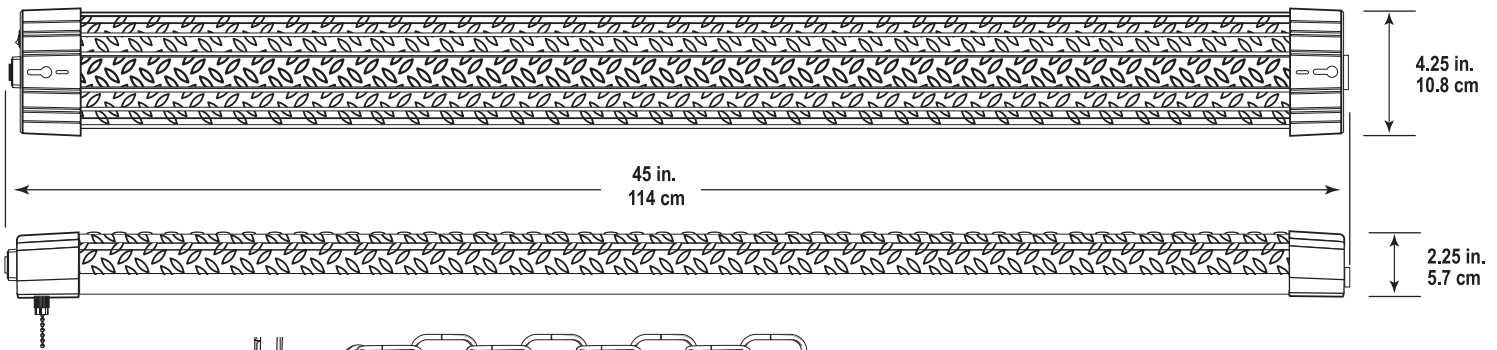


# 10000 (High)/ 5000 (Low) Lumen 4 ft. LED Shop Light



## PACKAGE CONTENTS



### Product Facts:

Lumens: 10000 lumens (High)/  
5000 lumens (Low)  
LED Life: 50,000 hours  
Operating Voltage: 120v  
Operating Temperature:  
-4° to 104°F (-20° to 40° C)  
Cord: 18/2 SPT  
Cord Length: 5 ft.

This fixture is rated for damp location use.

## ⚠ WARNINGS

**⚠ WARNING:** The plug on this fixture is a polarized plug, one contact blade is wider than the other one and will only fit in an outlet one way. If the plug does not insert, rotate the blades 180 degrees and try again. Make sure the plug is fully inserted. Never use with an extension cord unless plug can be fully inserted. **DO NOT ALTER THE PLUG OR CORD.**

**⚠ WARNING:** This product may represent a possible shock or fire hazard if improperly installed or mounted. Products should be installed following these instructions, local electrical codes and/or the current National Electric Code (NEC).

**⚠ WARNING: BURN HAZARD! Light fixture is hot, allow cooling time before touching.**

**⚠ CAUTION:** Personal injury can occur, along with damage to the fixture and/or mounting surface may result if the fixture is pulled from the surface. To prevent premature failure from overheating, fixture should only be installed in environments where the operating temperatures are between -4° to 104°F (-20° to 40° C).

**⚠ WARNING:** DO NOT alter or disassemble the fixture. It is completely enclosed and does not contain replaceable or serviceable parts.

**⚠ WARNING:** Use only in 120V, 60Hz circuits.

**⚠ WARNING:** Do NOT look directly at LED light sources.

**⚠ WARNING:** Avoid using this product in the immediate vicinity of highly flammable materials, liquids and gases.

## ⚠ SAFETY AND PRECAUTIONS

• **Shut off power to electrical outlet before installing or servicing this fixture.**

1. Suitable for damp location use.
2. Do **NOT** install over stoves.
3. Do **NOT** look directly at LED light sources.
4. The LED modules used in this fixture are not serviceable.
5. **This product is inspected prior to shipping.** Do not use if product is cracked, broken or missing parts.
6. Suitable for use in operating environments ranging between -4° to 104°F (-20° to 40° C).
7. Electrical requirements can be found on back of the fixture.
8. If unsure how to install a light fixture, call a qualified electrician.

## ADDITIONAL WARNINGS

This device complies with Part 15 of the FCC rules. Operation is subject to the following two conditions: (1) This device may not cause harmful interference, and (2) this device must accept any interference received, including interference that may cause undesired operation. Warning: Changes or modifications to this unit not expressly approved by the party responsible for compliance could void the user's authority to operate the equipment. The user is cautioned that any changes or modifications not expressly approved by the party responsible for compliance could void the user's authority to operate the equipment. Note: This equipment has been tested and found to comply with the limits for a Class B digital device, pursuant to Part 15 of the FCC rules. These limits are designed to provide reasonable protection against harmful interference in a residential installation. This equipment generates, uses and can radiate radio frequency energy and, if not installed and used in accordance with the instructions, may cause harmful interference to radio communications. However, there is no guarantee that the interference will not occur in a particular installation. If this equipment does cause harmful interference to radio or television reception, which can be determined by turning the equipment off and on, the user is encouraged to try to correct the interference by one or more of the following measures: 1) Reorient or relocate the receiving antenna. 2) Increase the separation between the equipment and receiver. 3) Connect the equipment into an outlet on a circuit different from that of the receiver. 4) Consult the dealer or an experienced radio/TV technician for help.

## DIMMING

• **DO NOT USE THIS FIXTURE WITH DIMMERS.**

Doing so will void the warranty of this product.

## INSTALLATION INSTRUCTIONS

**Install the fixture before plugging it into an electrical outlet. Be sure to locate fixture within 5 ft. of the power supply.**

1. Select your mounting location. Mark holes onto the mounting surface using the dimension below (**Fig. 1**). Using a 3/16" drill bit, drill pilot holes for the two (2) mounting screws or the two (2) hook screws (included) at the marked locations. Tighten the mounting hardware down until secure (**Fig. 2**).

42.7 in. / 1084 mm

Fig. 1

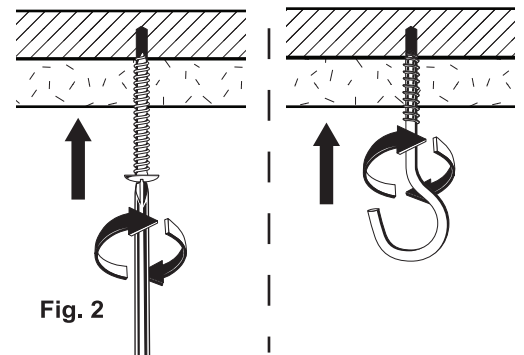


Fig. 2

## OPTIONAL

### Drywall installation:

Using a 1/8" drill bit, drill holes for the (2) wall anchors (included) at the predetermined installation location. Insert the included anchors into the pre-drilled holes (**Fig. 2**). Fasten the mounting or hook screws into the anchors.

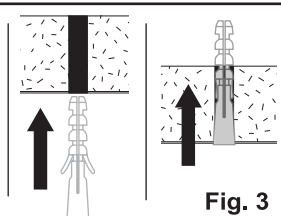


Fig. 3

Prior to installation, determine the how the fixture will be mounted.

## CHAIN MOUNT

2. Attach the chains to the hook screw attached to the mounting surface. Determine the length the chains will be need to be suspended at and hook the top link on onto the hook screw (**Fig. 4**). Straighten the chains out and attach the "S" hooks to the end of the chains (**Fig. 5**). Insert the other end of the "S" hooks through the slotted holes on top of the fixture at each end (**Fig. 6**). The chains are only designed to hold the weight of the fixture safely. **DO NOT HANG ITEMS OFF OF THE FIXTURE.**

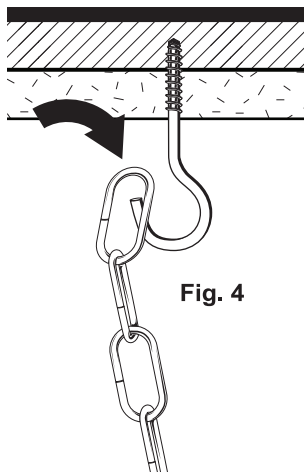


Fig. 4

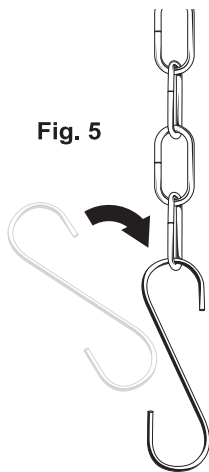


Fig. 5

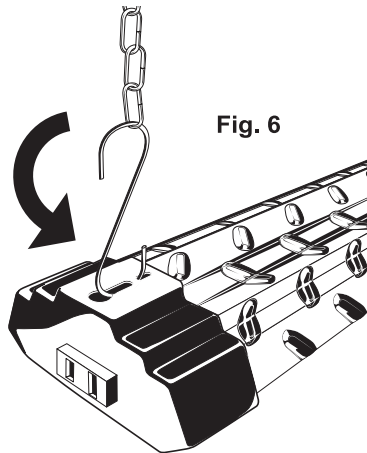


Fig. 6

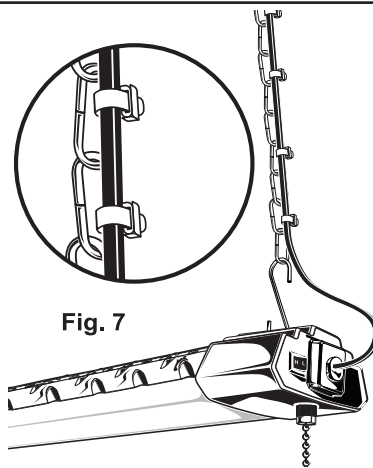


Fig. 7

### RECOMMENDED

It is recommended the power cord be secured to one of the hanging support chains with cable ties (not included) (**Fig. 7**).

## CEILING MOUNT

2. Fasten the mounting screws, leaving 1/8" between the surface and the back of the screw head (**Fig. 8**). Locate the key hole slots located on the end caps on the top of the fixture (**Fig. 9**). Gently lift the fixture up to the mounting screws until the screw heads pass through the large round ends of the key hole slots (**Fig. 10**). Slide the fixture either left or right to until the screw heads are captured in the key hole slots. (**Fig. 11**). Verify the fixture is secure, if not, remove, tighten each screw 1/4 turn and re-attach. Repeat until secure.

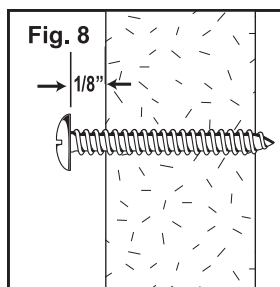


Fig. 8

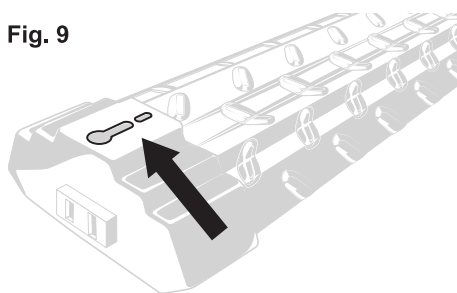


Fig. 9

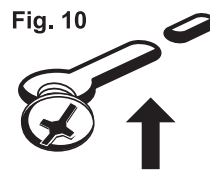


Fig. 10

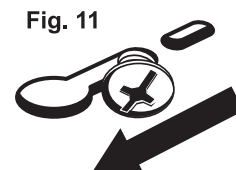


Fig. 11

Fig. 10 and 11 demonstrate how the keyhole slots engage the screws to capture and hold the fixture as seen from the inside.

3. Your installation is now complete (**Fig. 12**). Plug the fixture in.

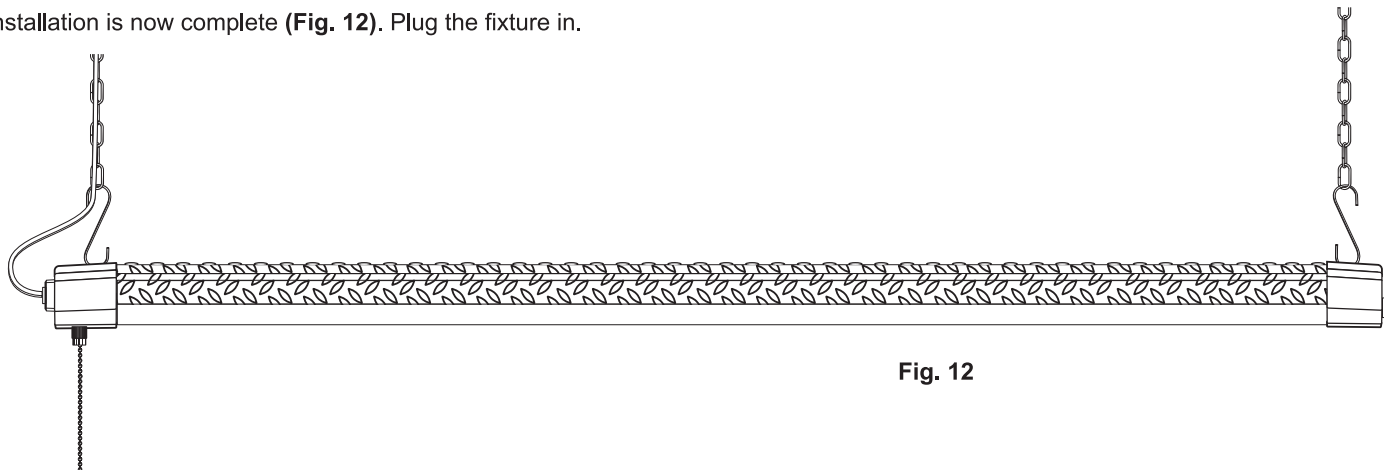


Fig. 12

## OPERATION

1. Press the rocker switch to turn the light HIGH and LOW (Fig. 13).



Fig. 13

2. Pull the chain switch down to turn the light On and Off (Fig 14).

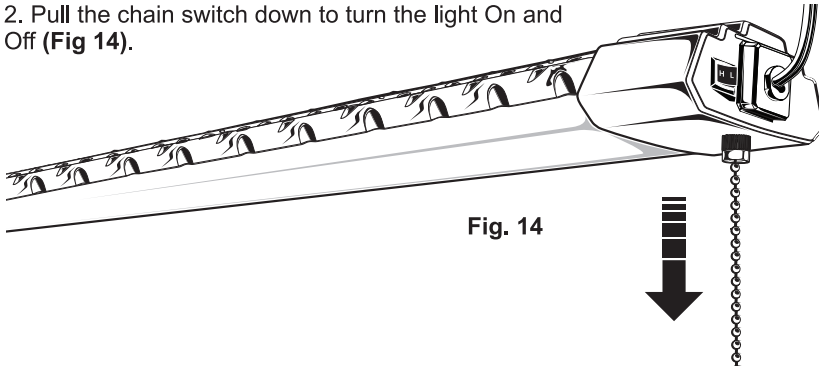


Fig. 14

## ADDING ADDITIONAL UNITS

This fixture can be linked with up to (6) #SL4YL10000L or #SL4YL5000L fixture.

1. To link additional lights, unplug the first fixture plugged into the outlet and plug the additional fixture into the preceding unit. Repeat Step 1 for each additional fixtures. A maximum lights connected on one string of lights **MUST NOT EXCEED A TOTAL OF 6A**. Repeat as necessary. Restore power.

### OPTIONAL

Additional lights can be linked using an extension cord. The extension cord must be 18 AWG or larger and the total length of the extension cord should not exceed 25 ft.

## CLEANING INSTRUCTIONS

Disconnect power to fixture before cleaning. Using a soft cloth, clean the fixture using a mild, non-abrasive glass cleaner. DO NOT use solvents. DO NOT use cleaners containing abrasive agents. NEVER spray liquid cleaner directly onto the LEDs, fixture or wiring.

## TROUBLESHOOTING GUIDE

*Before starting work to connect the fixture, shut off power supply at the circuit breaker panel to avoid electrical shock.*

Problem	Probable Cause	Solution
Fixture does not turn on.	1. Bad connection. 2. Faulty switch. 3. Power is off.	1. Check wiring connections. 2. Test switch or replace it. 3. Verify power supply is on.
Circuit breaker trips or fuse blows when light is turned on.	1. Discontinue use immediately.	1. Please email us at: <a href="mailto:info@stonepointlighting.com">info@stonepointlighting.com</a> . 2. Call an electrician.

## 5 YEAR LIMITED WARRANTY

This product is guaranteed against failure due to factory defects in materials or workmanship for five or (5) years from the date of purchase. This warranty is non-transferable and applies only to the original owner. Proof of purchase is required for repair or replacement. This warranty does not cover normal wear of parts or damage resulting from any misuse of the product. Misuse of the product includes, but is not limited to: washing the product, using in extreme weather conditions, opening the product, or trying to remodel the product. Important: this warranty is only valid if the product has been purchased through an authorized reseller.

## CUSTOMER SERVICE

For questions regarding this product, please e-mail us at [info@stonepointledlighting.com](mailto:info@stonepointledlighting.com).