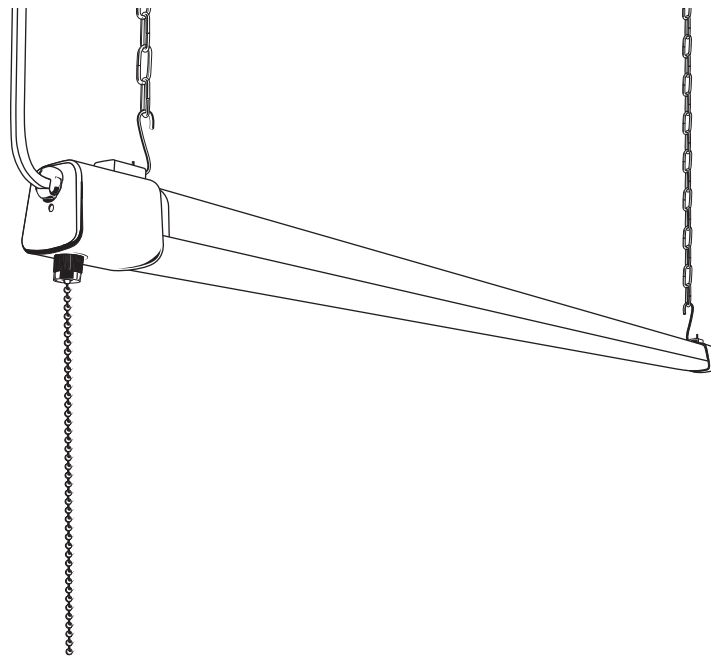
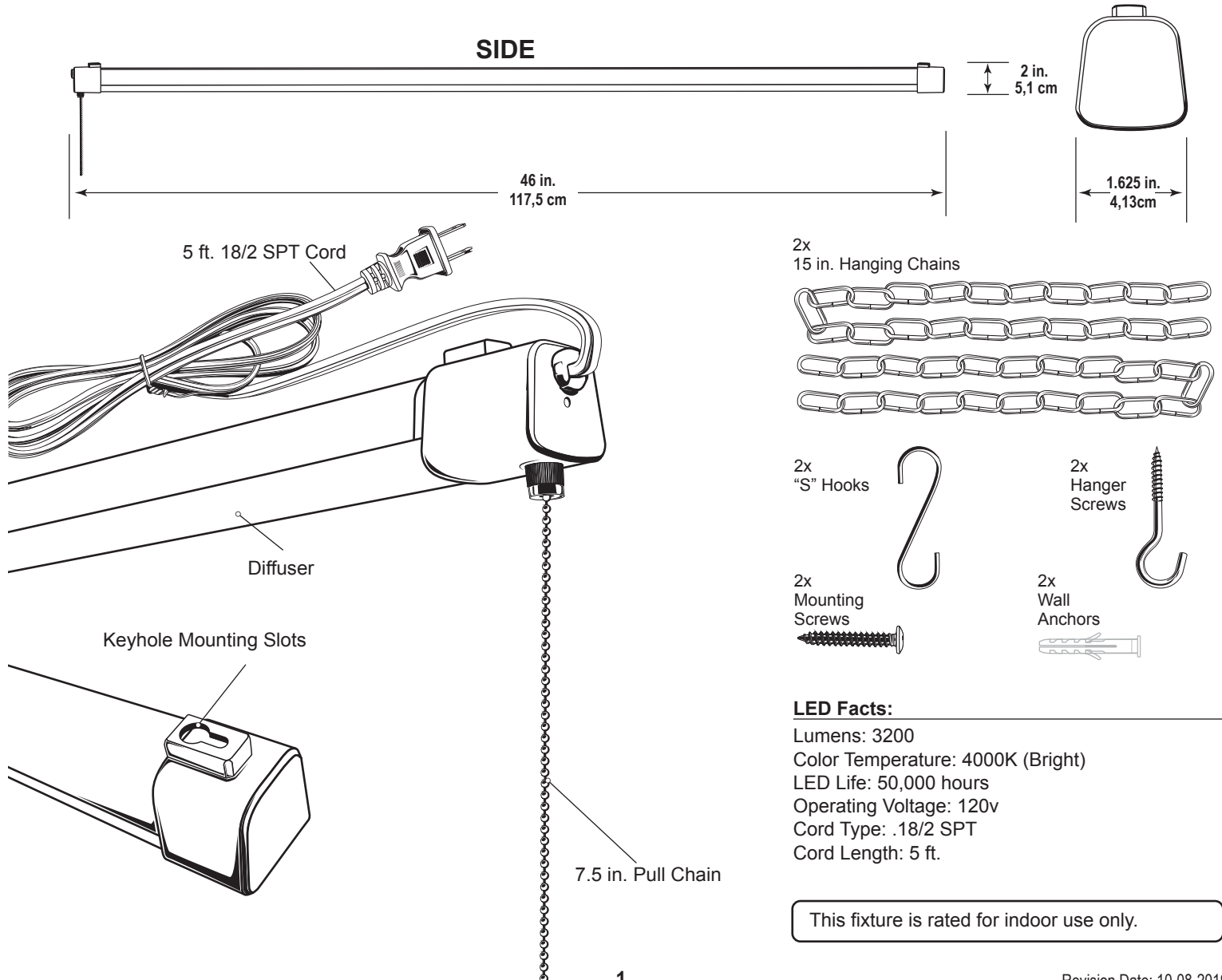


3200 LUMEN 46 in. LED SHOP LIGHT



PACKAGE CONTENTS



This fixture is rated for indoor use only.

⚠️ WARNINGS

⚡ **WARNING: TO AVOID ELECTRIC SHOCK, DISCONNECT POWER BEFORE INSTALLING**

⚠️ **WARNING:** This product may represent a possible shock or fire hazard if improperly installed or mounted. Products should be installed following these instructions, local electrical codes and/or the current National Electric Code (NEC).

⚠️ **WARNING:** DO NOT alter or disassemble the fixture it is completely enclosed and does not contain replaceable or serviceable parts.

⚠️ **WARNING:** Before installation, plug in fixture to a 120v, 60Hz electrical outlet to check for proper operation. Then, unplug and begin the installation.

⚠️ **CAUTION:** Personal injury can occur, along with damage to the fixture and/or mounting surface may result if the fixture is pulled from the surface. To prevent premature failure from overheating, fixture should only be installed in environments where the operating temperatures are between -4° to 104°F (-20° to 40° C).

⚠️ **WARNING:** Do **NOT** look directly at LED light sources.

⚠️ **WARNING:** The plug is fashioned to only fit in an outlet one way. If it does not fit, rotate 180°. Never use with an extension cord unless plug can be fully inserted. **DO NOT ALTER THE PLUG OR CORD.** If it does not fit, contact a qualified electrician.

⚠️ **WARNING:** Use only in 120v, 60Hz circuits.

⚠️ SAFETY AND PRECAUTIONS

- **Shut off power to electrical outlet before installing or servicing this fixture.**
 1. Suitable for indoor use only.
 2. Do **NOT** install over stoves.
 3. Do **NOT** look directly at LED light sources.
 4. The LED modules used in this fixture are not serviceable.
 5. **This product is inspected prior to shipping.** Do not use if product is cracked, broken or missing parts.
 6. Suitable for use in operating environments ranging between -4° to 104°F (-20° to 40° C).
 7. Electrical requirements can be found on back of the fixture.
 8. If unsure how to install a light fixture, call a qualified electrician.
 9. Unplug cord from outlet prior to adding additional units.

ADDITIONAL WARNINGS

This device complies with Part 15 of the FCC rules. Operation is subject to the following two conditions: (1) This device may not cause harmful interference, and (2) this device must accept any interference received, including interference that may cause undesired operation. Warning: Changes or modifications to this unit not expressly approved by the party responsible for compliance could void the user's authority to operate the equipment. The user is cautioned that any changes or modifications not expressly approved by the party responsible for compliance could void the user's authority to operate the equipment. Note: This equipment has been tested and found to comply with the limits for a Class B digital device, pursuant to Part 15 of the FCC rules. These limits are designed to provide reasonable protection against harmful interference in a residential installation. This equipment generates, uses and can radiate radio frequency energy and, if not installed and used in accordance with the instructions, may cause harmful interference to radio communications. However, there is no guarantee that the interference will not occur in a particular installation. If this equipment does cause harmful interference to radio or television reception, which can be determined by turning the equipment off and on, the user is encouraged to try to correct the interference by one or more of the following measures: 1) Reorient or relocate the receiving antenna. 2) Increase the separation between the equipment and receiver. 3) Connect the equipment into an outlet on a circuit different from that of the receiver. 4) Consult the dealer or an experienced radio/TV technician for help.

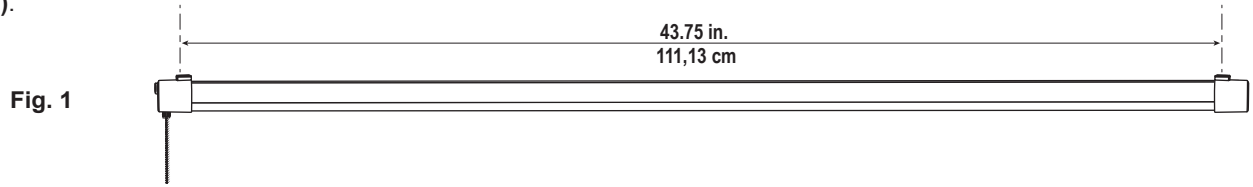
DIMMING

- **DO NOT USE THIS FIXTURE WITH DIMMERS.**
Doing so will void the warranty of this product.

INSTALLATION INSTRUCTIONS

Install the fixture before plugging it into an electrical outlet. Be sure to locate fixture within 5 ft. of the power supply.

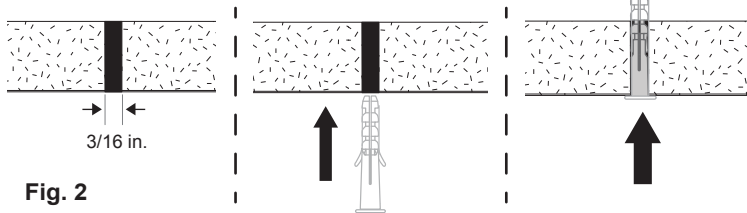
1. The fixture can either be flush mounted or chain mounted. Determine the location the fixture is to be mounted. The screws need to be installed 43.75 in. apart (Fig. 1).



2. Prepare the mounting surface by marking the two site locations for either the mounting screws or the hanger screws. The mounting surfaces covered here are for wood or drywall.

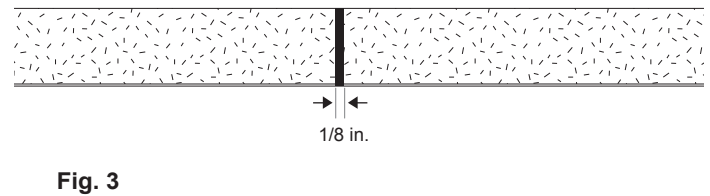
FOR DRYWALL INSTALLATION:

With a 3/16 in. drill bit, drill Holes for both anchors (included) At the marked sites (Fig. 2). Insert an anchor into each of the pre-drilled holes.



FOR WOOD SURFACE INSTALLATION:

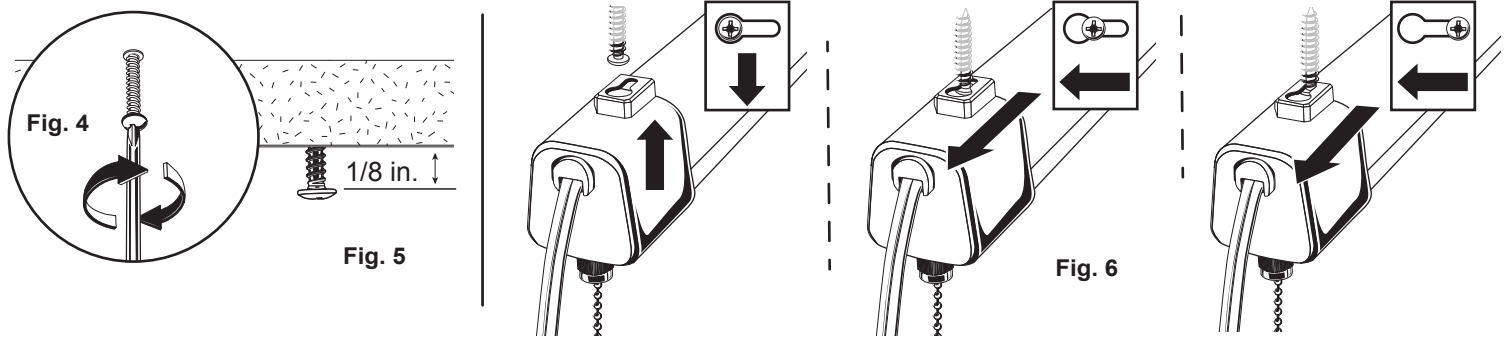
Using a 1/8 in. drill bit, drill pilot holes for both screws (included) at the predetermined installation locations (Fig. 3).



3. The fixture can be installed as a flush mount fixture or as a chain mounted fixture.

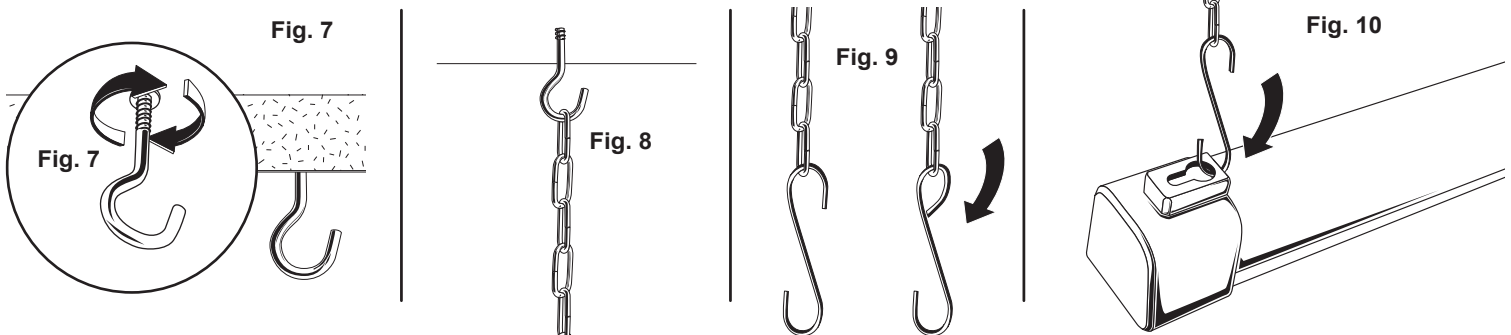
FLUSH MOUNT INSTALLATION

Insert each screw into the prepared holes (from above) and carefully drive them in (Fig. 4), leaving a 1/8 in. gap between the mounting surface and the bottom of the screw head (Fig. 5). Insert both mounting screw heads into the large end of the keyhole slots atop the fixture (Fig. 6). Slide the fixture until both screw heads are completely captured by the narrow ends the keyhole slots. If the fixture feels loose, remove and tighten screws a half turn, repeat as needed.



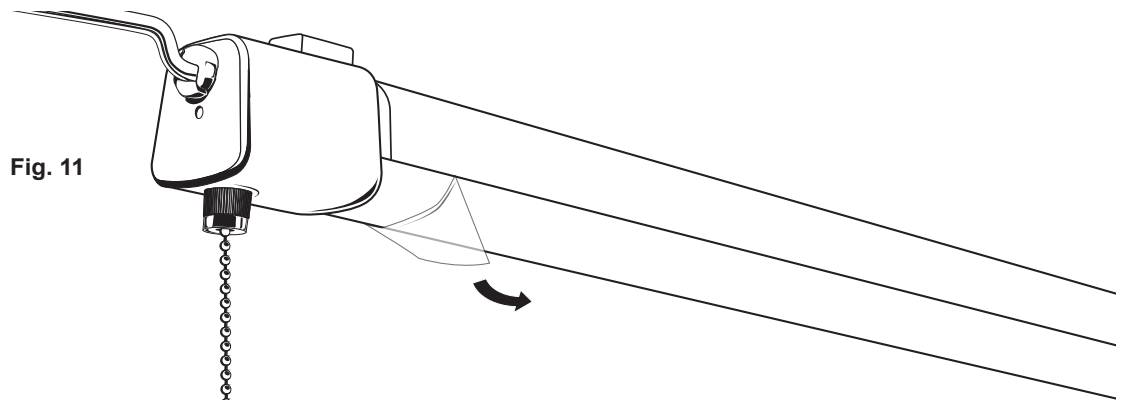
CHAIN MOUNT INSTALLATION

Insert each screw into the prepared holes (from above) and carefully drive them (Fig. 7). Attach the chains to the ceiling (mounting chains can be mounted in ways not covered in these instructions) (Fig. 8). Hang the "S" hooks onto the chain links that allow the fixture to be hung at the desired height. Close off the top end of the "S" hook to attach it to the chain by carefully bending the top of the "S" hook with pliers (Fig. 9). Insert the bottom of the "S" hooks into the slotted holes on top of the fixture at each end (Fig. 10). **Caution:** The chains are only designed to hold the weight of the fixture safely, do not hang items on fixture or cord.



INSTALLATION INSTRUCTIONS (CONT.)

4. Remove the protective film attached to diffuser before operating the fixture (**Fig. 11**).

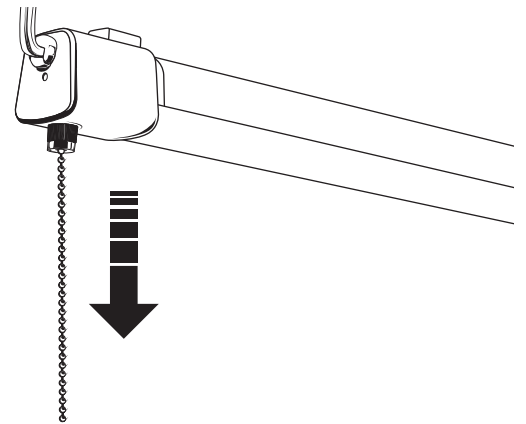


5. Insert plug into outlet.
Fixture is ready for operation.

OPERATION

1. Pull chain to turn ON and OFF (**Fig 12**).

Fig. 12



CLEANING INSTRUCTIONS

Disconnect power to fixture before cleaning. Using a soft cloth, clean the fixture using a mild, non-abrasive glass cleaner. DO NOT use solvents. DO NOT use cleaners containing abrasive agents. NEVER spray liquid cleaner directly onto the LEDs, fixture or wiring.

TROUBLESHOOTING GUIDE

Before starting work to connect the fixture, shut off power supply at the circuit breaker panel to avoid electrical shock.

Problem	Probable Cause	Solution
Fixture does not turn on.	1. Faulty switch. 2. Power is off.	1. Test switch, replace if needed. 2. Verify power supply is on.
Circuit breaker trips or fuse blows when light is turned on.	1. Discontinue use immediately.	1. Email customer service at info@stonepointledlighting.com . 2. Call an electrician.

5 YEAR LIMITED WARRANTY

This product is guaranteed against failure due to factory defects in materials or workmanship for five (5) years from the date of purchase. This warranty is non-transferable and applies only to the original owner. Proof of purchase is required for repair or replacement. This warranty does not cover normal wear of parts or damage resulting from any misuse of the product. Misuse of the product includes, but is not limited to: washing the product, using in extreme weather conditions, opening the product, or trying to remodel the product. Important: this warranty is only valid if the product has been purchased through an authorized reseller.

CUSTOMER SERVICE

For questions regarding this product, please e-mail us at info@stonepointledlighting.com.