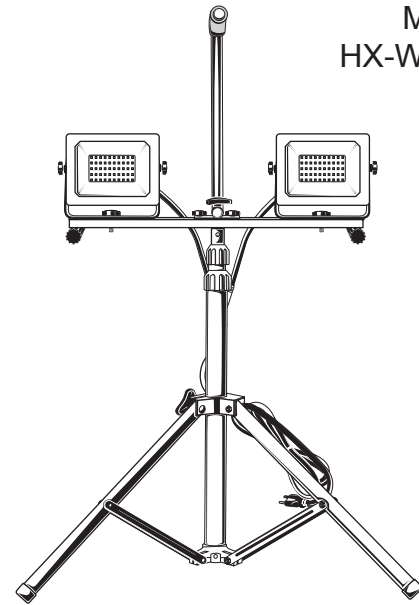
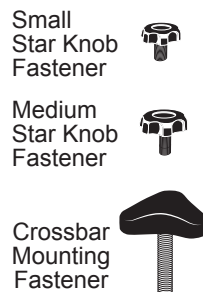
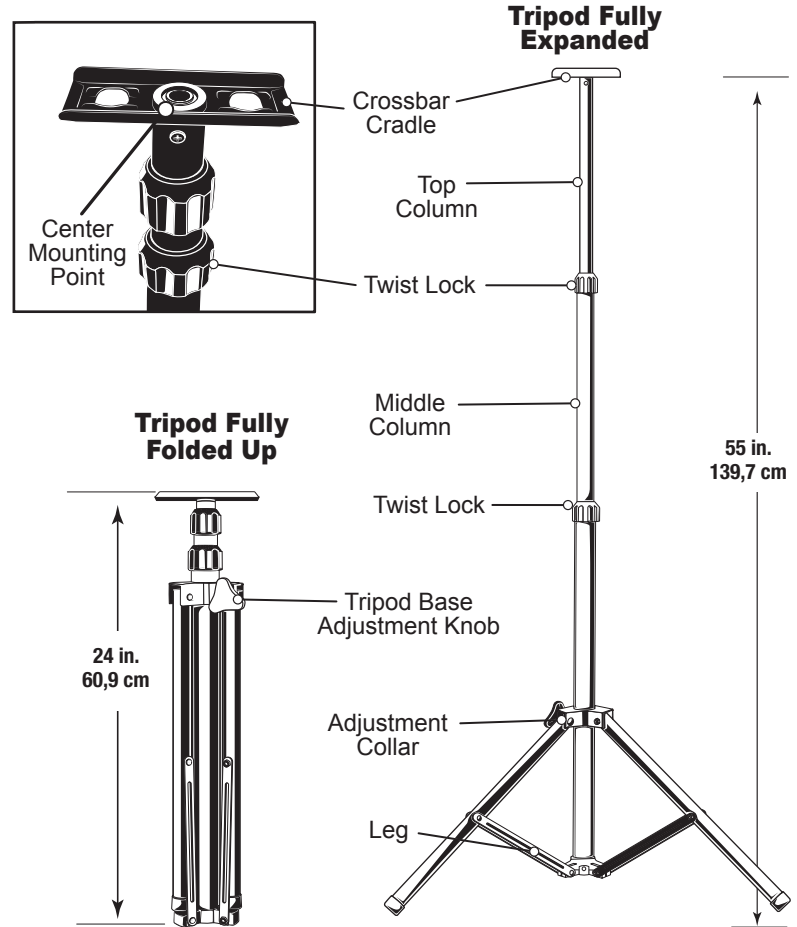
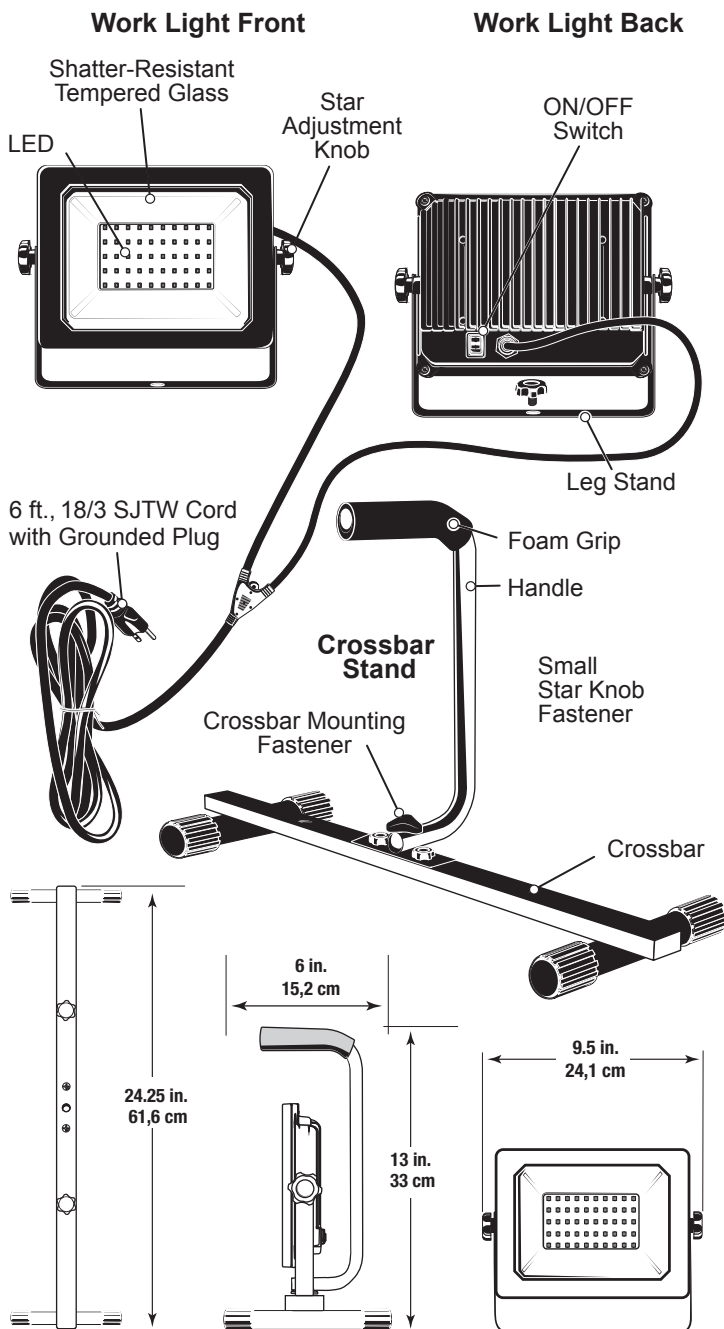


12000 Lumen LED Work Light with Double Tripod



PACKAGE CONTENTS



LED Facts:

Total Lumens: 12000 total (6000 Lumens each light)
Color Temperature: 4000K
CRI: 80
Operating Voltage: 100v-277v
LED Life: 50,000 hours
Operating temperature: -13° to 113°F (-25° to 45° C)
Cord Type: 6 ft. 18/3 SJTW

This fixture is suitable for indoor/outdoor use.

⚠️ WARNINGS

⚠️ **WARNING:** Avoid using this product in the immediate vicinity of highly flammable materials, liquids and gases.

⚠️ **WARNING:** This light is not waterproof.

⚠️ **WARNING:** Do **NOT** look directly at LED light sources.

⚠️ **WARNING:** DO NOT alter or disassemble the fixture. It is completely enclosed and does not contain replaceable or serviceable parts.

⚠️ **WARNING:** Avoid direct contact with water.

⚠️ **WARNING:** Use only in 100-227v, 60Hz circuits.

⚠️ SAFETY AND PRECAUTIONS

1. Suitable for indoor and outdoor use. Not for use with direct contact with water.
2. Do **NOT** look directly at LED light sources.
3. The LED modules used in this fixture are not serviceable.
4. This product is inspected prior to shipping. Do not use if product is cracked, broken or missing parts.
5. Suitable for use in operating environments ranging between -13° to 113°F (-25° to 45° C). Lifetime of this product may be reduced with prolonged exposure to extreme temperatures.

DIMMING

- **DO NOT USE THIS FIXTURE WITH DIMMERS.**
Doing so will void the warranty of this product.

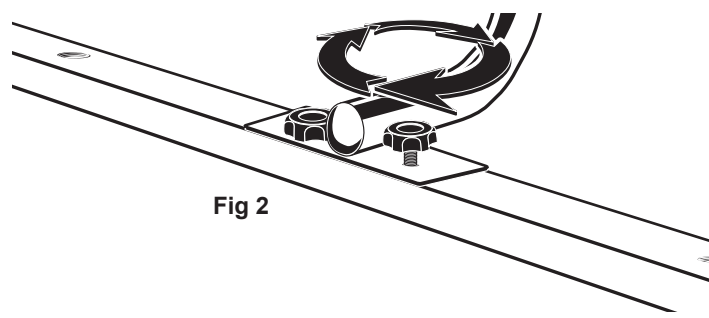
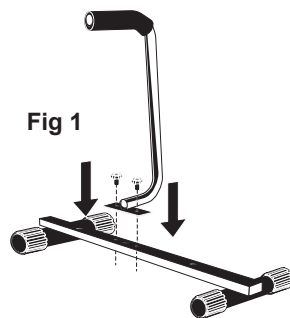
ADDITIONAL WARNINGS

This device complies with Part 15 of the FCC rules. Operation is subject to the following two conditions: (1) This device may not cause harmful interference, and (2) this device must accept any interference received, including interference that may cause undesired operation. Warning: Changes or modifications to this unit not expressly approved by the party responsible for compliance could void the user's authority to operate the equipment. The user is cautioned that any changes or modifications not expressly approved by the party responsible for compliance could void the user's authority to operate the equipment. Note: This equipment has been tested and found to comply with the limits for a Class B digital device, pursuant to Part 15 of the FCC rules. These limits are designed to provide reasonable protection against harmful interference in a residential installation. This equipment generates, uses and can radiate radio frequency energy and, if not installed and used in accordance with the instructions, may cause harmful interference to radio communications. However, there is no guarantee that the interference will not occur in a particular installation. If this equipment does cause harmful interference to radio or television reception, which can be determined by turning the equipment off and on, the user is encouraged to try to correct the interference by one or more of the following measures:

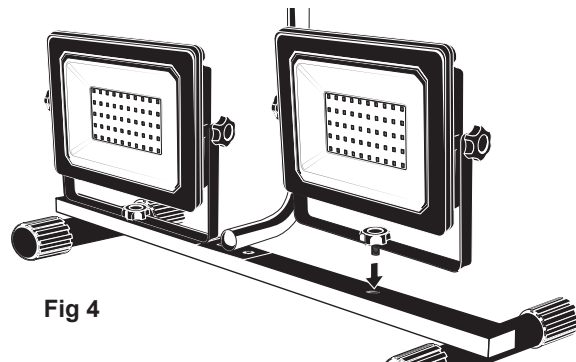
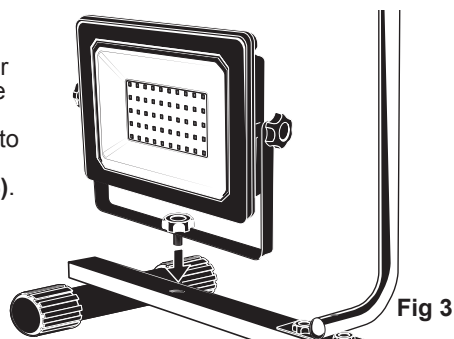
1) Reorient or relocate the receiving antenna. 2) Increase the separation between the equipment and receiver. 3) Connect the equipment into an outlet on a circuit different from that of the receiver. 4) Consult the dealer or an experienced radio/TV technician for help.

ASSEMBLY INSTRUCTIONS

1. Attach the handle to the mounting crossbar by aligning the holes on the crossbar with the holes in the handle mounting plate (Fig 1). Insert the two small star knob fasteners through the handle mounting plate and into the threaded holes in the crossbar and tighten until the handle is securely attached (Fig 2).



2. Add both lights to the crossbar (Fig 3) by fastening the medium star knob fastener through the center hole in the leg stand of each light and into the threaded hole on the mounting crossbar (Fig 4). Tighten each down until secure.



3. To adjust the light angle, loosen both star adjustment knobs on the sides of each light head by turning them in a counter clockwise manner (**Fig 5**). Pivot the light body to redirect the light (**Fig 6**). Once the light has been readjusted, turn the knobs clockwise to tighten.

Fig 5

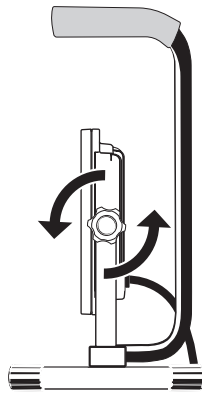
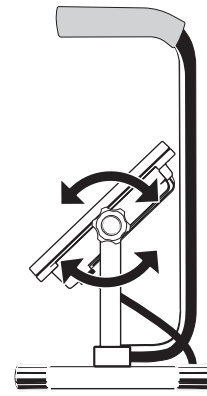


Fig 6



TRIPOD ASSEMBLY & OPERATION

1. To attach the crossbar to the tripod stand, line up the center hole in the crossbar handle with the threaded hole at the top of the pole in the tripod. Rest the crossbar in the tripod cradle and fasten to the tripod stand with the crossbar mounting fastener (**Fig 7**). Tighten down until the crossbar is securely fastened to the top of the tripod (**Fig 8**). To remove the crossbar with the mounted lights, unfasten the star fastener and remove.

Fig 7

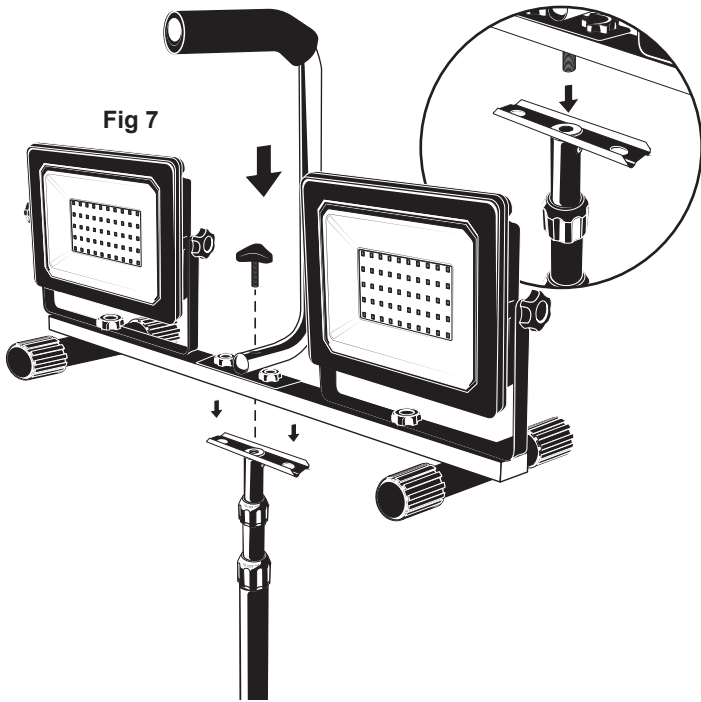
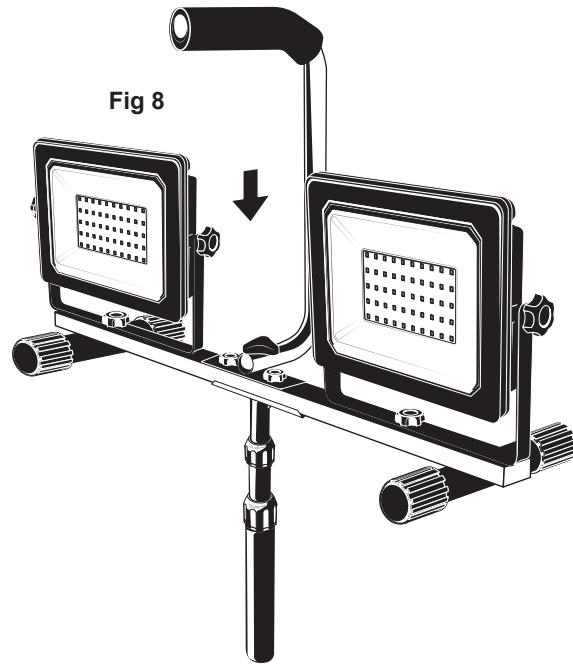


Fig 8



The tripod stand has several points of adjustment that can determine the height and stability of the light.

2. To adjust the base, loosen the tripod base adjustment knob (**Fig 9**). For maximum stability, push the collar down until the legs are out as far as they can go (**Fig 10**). To attain maximum base height, move the adjustment collar up and bring in the legs as far as possible without risking the stability of the base (**Fig 11**).

Fig 9

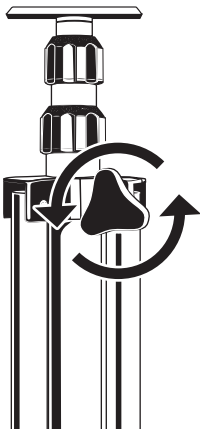


Fig 10

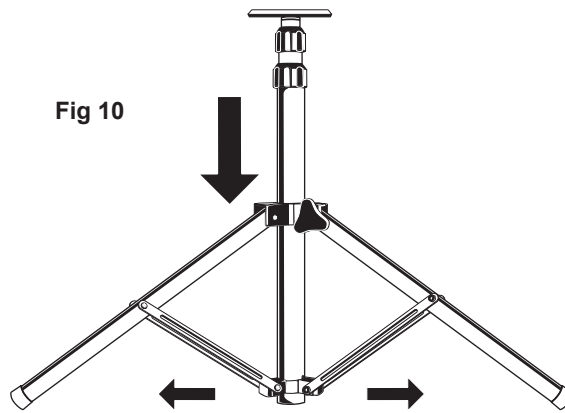
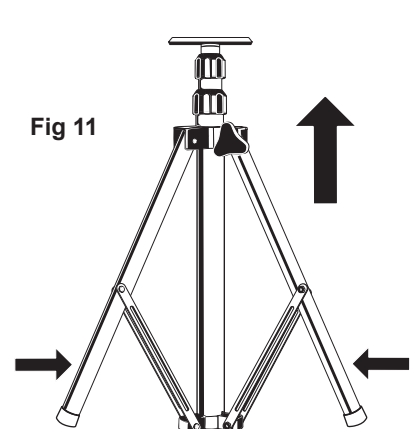


Fig 11



TRIPOD OPERATION CONT.

3. The center column of the tripod stand has two twist locks on it that tighten and loosen in order to adjust the height of the top sections of the central column to achieve differing heights. Rotate the twist lock counter-clockwise to loosen the lock (**Fig 12**). Raise or lower the section of the column (**Fig 13**). Once the desired height has been reached tighten the twist lock clockwise to lock the column section into place (**Fig 14**).

Fig 12

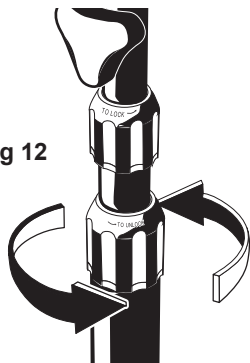


Fig 13

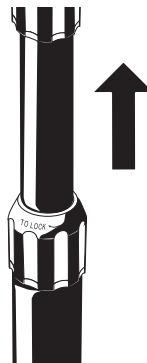
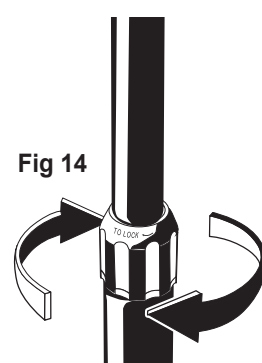


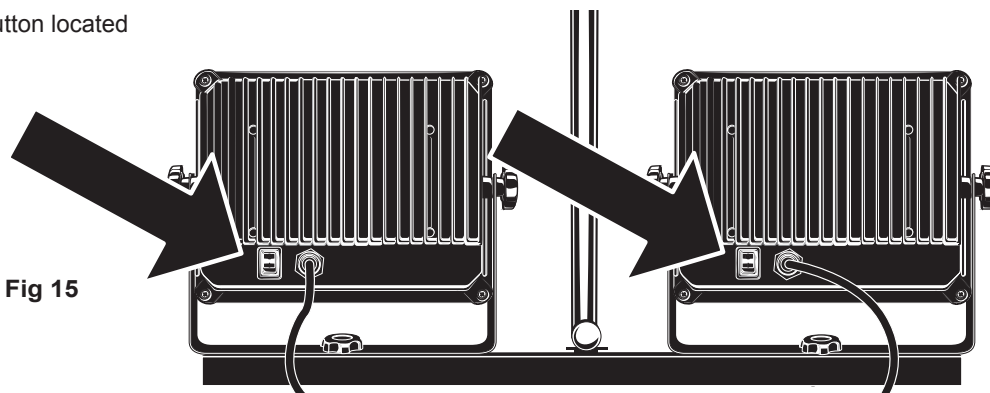
Fig 14



LIGHT OPERATION

1. To turn light on and off press ON/ OFF button located on the back side of each light (**Fig 15**).

Fig 15



CLEANING INSTRUCTIONS

Using a soft cloth, clean the fixture using a mild, non-abrasive glass cleaner. DO NOT use solvents. DO NOT use cleaners containing abrasive agents. NEVER spray liquid cleaner directly onto the light.

TROUBLESHOOTING GUIDE

Problem	Probable Cause	Solution
Light does not turn on.	<ol style="list-style-type: none"> 1. Switch is off. 2. Not plugged in. 3. Light malfunction. 	<ol style="list-style-type: none"> 1. Turn on switch. 2. Plug cord in. 3. E-mail info@gt-ind.com.
Circuit breaker trips or fuse blows when light is turned on.	<ol style="list-style-type: none"> 1. Discontinue use immediately. 	<ol style="list-style-type: none"> 1. Call an electrician.
Stand will not stay up.	<ol style="list-style-type: none"> 1. Knobs are not tight. 2. Stand legs are too close together. 	<ol style="list-style-type: none"> 1. Tighten knobs. 2. Re-adjust position of stand legs.

2 YEAR LIMITED WARRANTY

This product is guaranteed against failure due to factory defects in materials or workmanship for two (2) years from the date of purchase. This warranty is non-transferable and applies only to the original owner. Proof of purchase is required for repair or replacement. This warranty does not cover normal wear of parts or damage resulting from any misuse of the product. Misuse of the product includes, but is not limited to: washing the product, using in extreme weather conditions, opening the product, or trying to remodel the product. Important: this warranty is only valid if the product has been purchased through an authorized reseller.



CUSTOMER SERVICE

Stonepoint LED Lighting is a registered trademark of GT Industrial Products.
For questions regarding this product, please e-mail or call GT customer service at info@gt-ind.com or 1-800-865-6799.