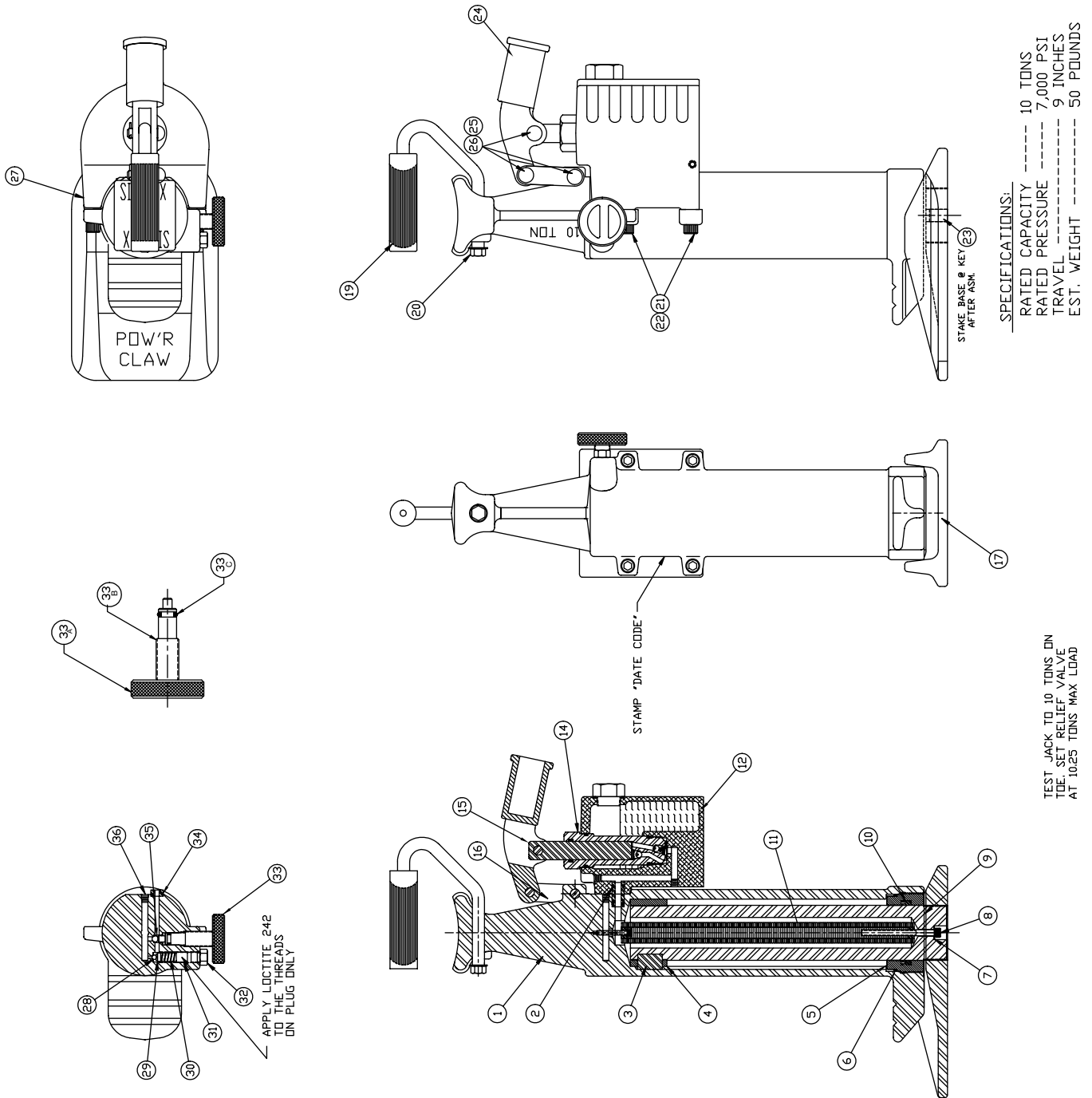


To Protect Your Warranty, Use Only ENERPAC Hydraulic Oil.

Enerpac recommends that all kit components be installed to insure optimum performance of the repaired product.

Figure 1 - Main Assembly

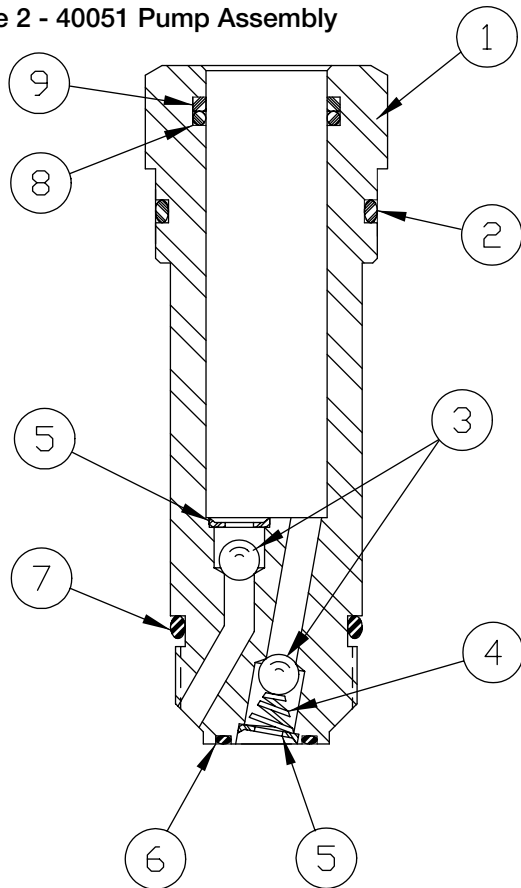


Repair Parts List (Refer to figure 1)

Item	Part Number	Qty.	Description	Item	Part Number	Qty.	Description
0	18851	1	Lever Bar	21	93594	4	SHCS 3/8-16 x 1" LG
1	89941	1	Toe Housing, TJ109	22	93943	4	Lock Washer, 3/8"
2	40410	1	Valve Adapter Assembly	23	40066	1	Key
3	40065	1	Key	24	40053	1	Lever Socket
4	40044	1	Upper Bearing	25	40054	3	Clevis Pin
5	40043	1	Lower Bearing	26	92540	3	Pin Clip 3HJ-18A
6	★ - -	1	O-Ring, 2-3/4 x 3.0 x 1/8"	27	89181	1	Warning Decal-Hyd. JA
7	★ - -	1	Gasket, 17/64 x 1/2"	28	90548	1	Ball, 3/16"
8	40045	1	SHCS 1/4-20 x 4"	29	88497	1	Spring Cap
9	89961	1	Piston	30	66085	1	Spring - Relief Valve
10	★ - -	1	U-Cup 2-1/4 x 2-5/8"	31	66083	1	Relief Valve Adjusting Scr.
11	40047	1	Extension Spring Assembly	32	68258	1	Plug, SAE #4
12	40409	1	Pump Body Assm.	33	89972	1	Release Screw Assembly
14	40051	1	Piston Housing Assem.	33A	88508	1	Release Knob
15	89964	1	Piston	33B	89971	1	Release Screw Assembly
16	89968	2	Pump Link	33C	★ - -	1	O-Ring, 2-3/4 x 3.0 x 1/8"
17	40565	1	Base	34	★ - -	1	Gasket
19	40110	1	Handle Grip Assembly	35	92549	1	Ball, 1/4"
20	40204	1	3/8-16 Thrd Form Scr	36	40049	1	1/16 Pipe Plug - Flush

★ Item included only in Packing Kit, part number 54200.

Figure 2 - 40051 Pump Assembly

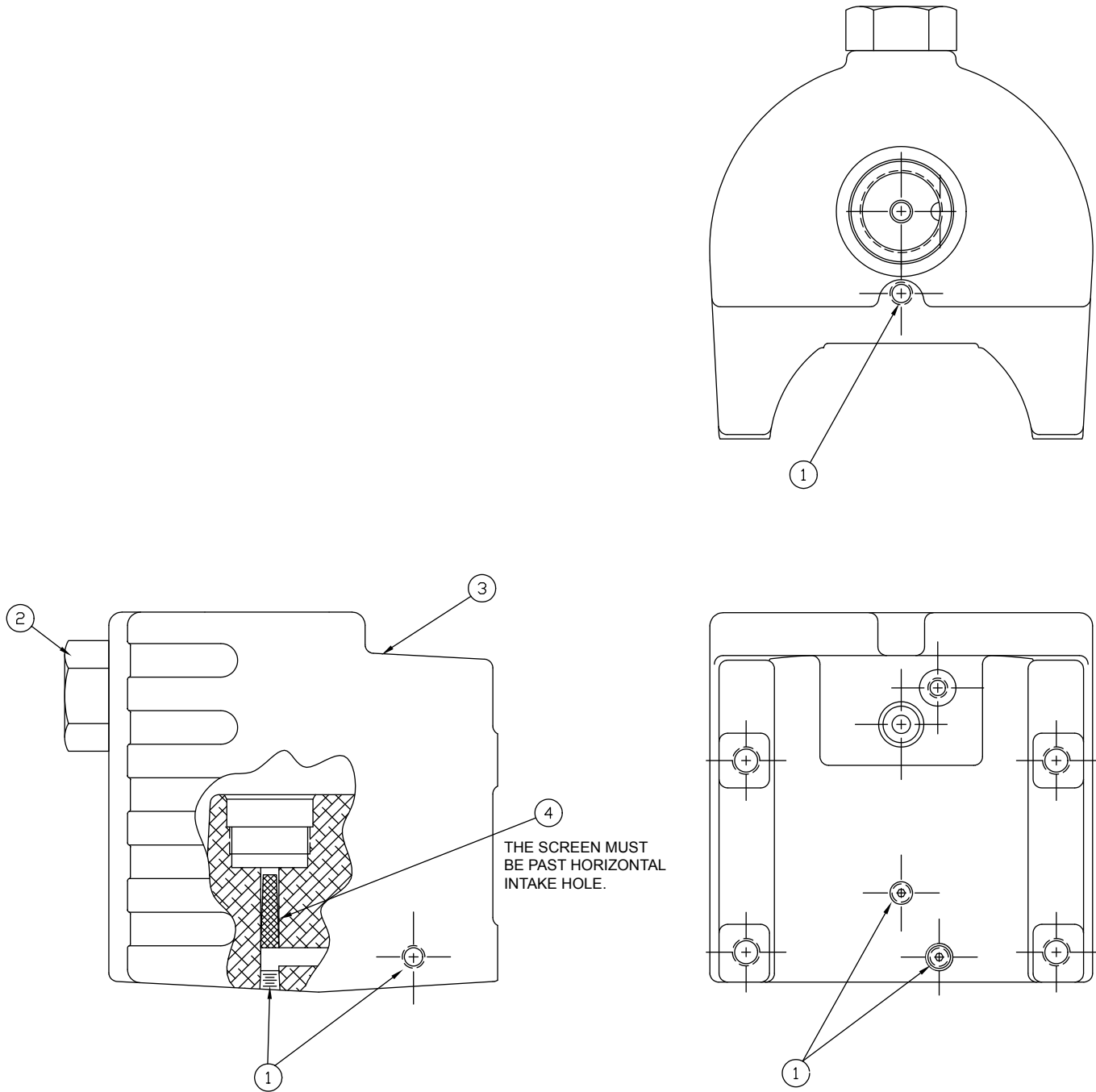


Repair Parts List (Refer to figure 2)

Item	Part Number	Qty.	Description
1	40051	1	Piston Housing Assembly
2	★ - -	1	O-Ring, 1-3/16 x 1-3/8"
3	92549	1	Ball, 1/4"
4	55753	1	Valve Spring 1000-23-0
5	94978	1	Ret Ring Cap j330-39H
6	★ - -	1	O-Ring 1/2 x 5/8 90 DU
7	★ - -	1	O-Ring 1 x 1 3/16
8	★ - -	1	O-Ring 3/4 x 15/16 URE
9	★ - -	1	Backup Washer 3/4 x 15/16

★ Item included in Packing Kit, part number 54200.

Figure 3 - 40409 Pump Body Assembly



Repair Parts List (Refer to figure 3)			
Item	Part Number	Qty.	Description
1	40049	5	1/16" Pipe Plug - Flush
2	40056	1	Fill Plug
3	89933	1	Pump Body
4	40566	1	Intake Screen

Enerpac Worldwide Locations

Africa
ENERPAC Middle East FZE
Office 423, JAFZA 15
P.O. Box 18004
Jebel Ali, Dubai
United Arab Emirates
Tel: +971 (0)4 8872686
Fax: +971 (0)4 8872687

Australia, New Zealand
Actuant Australia Ltd.
Block V Unit 3
Regents Park Estate
391 Park Road
Regents Park NSW 2143
(P.O. Box 261) Australia
Tel: +61 297 438 988
Fax: +61 297 438 648

Brazil
Power Packer do Brasil Ltda.
Rua dos Inocentes, 587
04764-050 - Sao Paulo (SP)
Tel: +55 11 5687 2211
Fax: +55 11 5686 5583
Toll Free in Brazil:
Tel: 0800 891 5770
vendasbrasil@enerpac.com

Canada
Actuant Canada Corporation
6615 Ordan Drive, Unit 14-15
Mississauga, Ontario L5T 1X2
Tel: +1 905 564 5749
Fax: +1 905 564 0305
Toll Free:
Tel: +1 800 268 4987
Fax: +1 800 461 2456
Technical Inquiries:
techservices@enerpac.com

China
Actuant China Ltd.
1F, 269 Fute N. Road
Waigaoqiao Free Trade Zone
Pudong New District
Shanghai, 200 131 China
Tel: +86 21 5866 9099
Fax: +86 21 5866 7156

Actuant China Ltd. (Beijing)
709B Diyang Building
Xin No. 2
Dong San Huan North Rd.
Beijing City
100028 China
Tel: +86 10 845 36166
Fax: +86 10 845 36220

Central and Eastern Europe, Greece
ENERPAC GmbH
P.O. Box 300113
D-40401 Düsseldorf
Willstätterstrasse13
D-40549 Düsseldorf
Germany
Tel: +49 211 471 490
Fax: +49 211 471 49 28

France, Switzerland francophone
ENERPAC, Une division de ACTUANT
France S.A.
ZA de Courtaboef
32, avenue de la Baltique
91140 VILLEBON /YVETTE
France
Tel: +33 1 60 13 68 68
Fax: +33 1 69 20 37 50

◆ e-mail: info@enerpac.com

Germany, Austria and Switzerland
ENERPAC GmbH
P.O. Box 300113
D-40401 Düsseldorf
Willstätterstrasse13
D-40549 Düsseldorf
Germany
Tel: +49 211 471 490
Fax: +49 211 471 49 28

India
ENERPAC Hydraulics
(India) Pvt. Ltd.
Office No. 9,10 & 11,
Plot No. 56, Monarch Plaza,
Sector 11, C.B.D. Belapur
Navi Mumbai 400614, India
Tel: +91 22 2756 6090
Tel: +91 22 2756 6091
Fax: +91 22 2756 6095

Italy
ENERPAC S.p.A.
Via Canova 4
20094 Corsico (Milano)
Japan
Tel: +39 02 4861 111
Fax: +39 02 4860 1288

Japan
Applied Power Japan Ltd.
Besshochou 85-7
Saitama-shi, Kita-ku,
Saitama 331-0821
Japan
Tel: +81 48 662 4911
Fax: +81 48 662 4955

Middle East, Turkey and Caspian Sea
ENERPAC Middle East FZE
Office 423, JAFZA 15
P.O. Box 18004
Jebel Ali, Dubai
United Arab Emirates
Tel: +971 (0)4 8872686
Fax: +971 (0)4 8872687

Russia and CIS (excl. Caspian Sea Countries)
Actuant LLC
Admiral Makarov Street 8
125212 Moscow, Russia
Tel: +7-495-9809091
Fax: +7-495-9809092

Singapore
Actuant Asia Pte. Ltd.
37C, Benoi Road Pioneer Lot,
Singapore 627796
Tel: +65 68 63 0611
Fax: +65 64 84 5669
Toll Free: +1800 363 7722
Technical Inquiries:
techsupport@enerpac.com.sg

South Korea
Actuant Korea Ltd.
3Ba 717,
Shihwa Industrial Complex
Jungwang-Dong, Shihung-Shi,
Kyunggi-Do
Republic of Korea 429-450
Tel: +82 31 434 4506
Fax: +82 31 434 4507

◆ internet: www.enerpac.com

Spain and Portugal
ENERPAC
Avda. Los Frailes, 40 – Nave C & D
Pol. Ind. Los Frailesancho De Arriba
(Madrid) Spain
Tel: +34 91 661 11 25
Fax: +34 91 661 47 89

The Netherlands, Belgium, Luxembourg, Sweden, Denmark, Norway, Finland and Baltic States
ENERPAC B.V.
Galvanistraat 115, 6716 AE Ede
P.O. Box 8097, 6710 AB Ede
The Netherlands
Tel: +31 318 535 911
Fax: +31 318 525 613
+31 318 535 848

Technical Inquiries Europe:
techsupport.europe@enerpac.com

United Kingdom, Ireland
Enerpac Ltd
Bentley Road South
Darlaston, West Midlands
WS10 8LQ, United Kingdom
Tel: +44 (0)121 50 50 787
Fax: +44 (0)121 50 50 799

USA, Latin America and Caribbean
ENERPAC
P.O. Box 3241
6100 N. Baker Road
Milwaukee, WI 53209 USA
Tel: +1 262 781 6600
Fax: +1 262 783 9562

User inquiries:
+1 800 433 2766
Inquiries/orders:
+1 800 558 0530
Technical Inquiries:
techservices@enerpac.com

All Enerpac products are guaranteed against defects in workmanship and materials for as long as you own them. For your nearest authorized Enerpac Service Center, visit us at www.enerpac.com