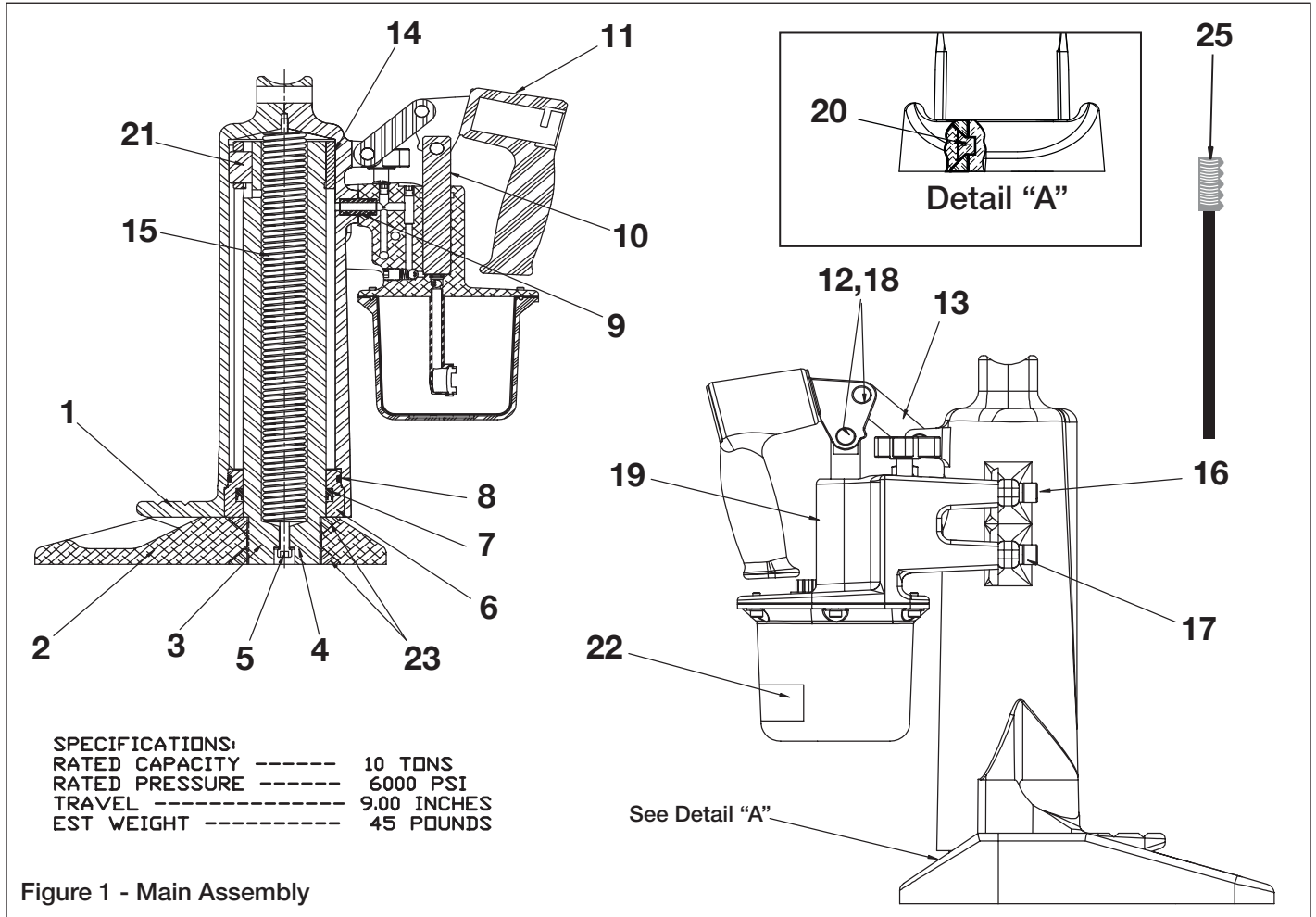


S54704 Rev. F 08/15

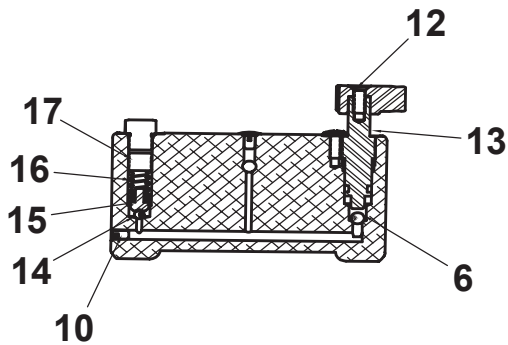
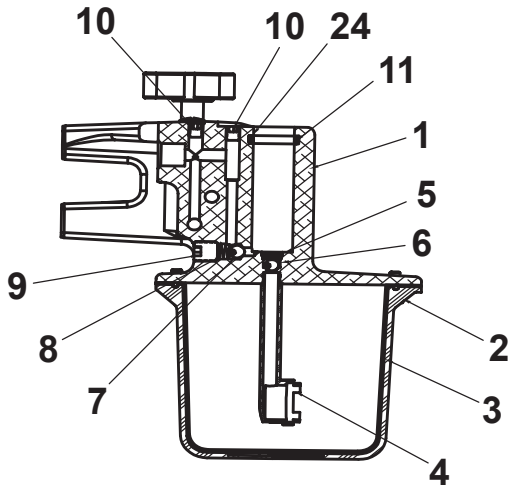
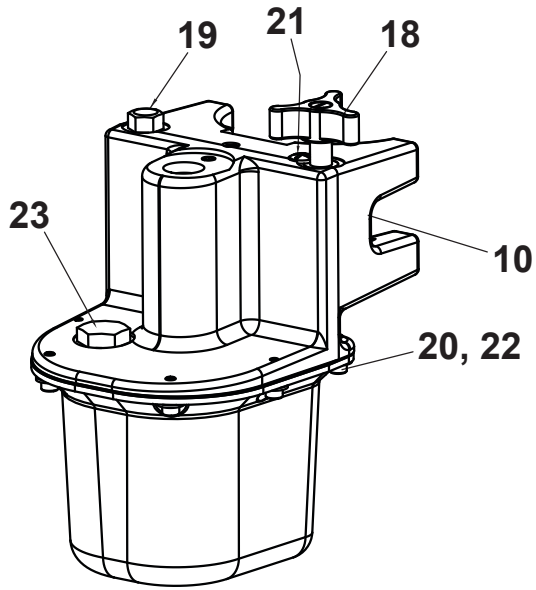
For Date Codes Beginning with the Letter "A"



Repair Parts List (Refer to Figure 1)							
Item	Part Number	Qty.	Description	Item	Part Number	Qty.	Description
1	---	1	Toe Housing	13	42688E	1	Pump Link TJ109
2	---	1	Alum. Base TJ10	14	---	1	Upper Bearing
3	---	1	Piston, TJ109LS	15	42797E	1	Spring Asm. TJ10
4	★ ---	1	Gasket 17/64 x 1"	16	B1069028X	4	Screw 3/8-16 x 1"
5	---	1	Screw 1/4-20 x 4"	17	C432108	4	Lock Washer 3/8"
6	---	1	Lower Bearing	18	92540E	3	Pin Clip 3HJ-18
7	★ ---	1	U-Cup 2-1/4 x 2"	19	44453SR	1	Pump Asm (See Fig. 2)
8	★ ---	1	O-Ring 2-3/4 x 3.0"	20	44435E	1	Key TJ109LS
9	40410SR	1	Valve Adapter	21	40065E	1	Key
10	44426E	1	Piston 3/4 TJ10	22	* ---	1	Warning Decal-H
11	44404E	1	Socket TJ109	23	44434E	2	Insert TJ109LS
12	40054E	3	Clevis Pin	25	18851SR	1	Lever Bar

★ Item included in Packing Kit, part number 54200K.
 * Item included in Reservoir Kit, part number TJ109LSRK.

Figure 2 - Pump Assembly, 44453SR



Repair Parts List (Refer to Figure 2)

Item	Part Number	Qty.	Description
1	◆ 44063E	1	Pump Body TJ109
2	*◆ ---	1	Alum. Reservoir, TJ109
3	*◆ ---	1	Bladder, TJ109
4	◆ 44433E	1	Intake Tube Assembly
5	◆ 94978E	1	Ret. Ring Cap
6	◆ B1007016	2	Ball, 1/4"
7	◆ B1008016	1	Ball, 9/32"
8	◆ 44401E	1	Spring, Intake
9	◆ A1007245	1	1/8" Pipe Plug, Flush
10	◆ A1006245	6	1/16" Pipe Plug, Flush
11	★◆ ---	1	O-Ring 3/4 x 15/16"
12	◆ 69765E	1	10-24 Flat Hd Mach Screw
13	◆ 42792SR	1	Release Screw Assembly
14	◆ B1005016	1	Ball, 3/16"
15	◆ 88497E	1	Spring Cap
16	◆ 66085E	1	Spring, Relief Valve
17	◆ 66083E	1	Adj. Screw, Relief Valve
18	◆ 42791E	1	Release Knob
19	◆ B1018006	1	Plug, SAE #4
20	*◆ ---	6	SHCS 10-24 x 7/8" Zinc P
21	◆ 42803E	1	Truss Screw 10-24 x .375"
22	◆ B1086108X	6	Flat Washer
23	◆ DS3220006SR	1	Filler Plug
24	★◆ ---	1	Bu-Wash 3/4 x 15/16"

★ Item included in Packing Kit, part number 54200K.
 ◆ Item included in Pump Kit, part number 44453SR.
 * Item included in Reservoir Kit, part number TJ109LSRK.

**To Protect Your Warranty, Use Only
 ENERPAC Hydraulic Oil.**

**Enerpac recommends that all kit components be installed
 to insure optimum performance of the repaired product.**

NOTES:

Enerpac Worldwide Locations

◆ e-mail: info@enerpac.com

◆ internet: www.enerpac.com

Australia and New Zealand

Actuant Australia Ltd.
Block V Unit 3
Regents Park Estate
391 Park Road
Regents Park NSW 2143
(P.O. Box 261) Australia
T +61 (0)2 9743 8988
F +61 (0)2 9743 8648
sales-au@enerpac.com

Brazil

Power Packer do Brasil Ltda.
Rua Luiz Lawrie Reid, 548
09930-760 - Diadema (SP) - Brazil
T +55 11 5687 2211
Toll Free: 0800 891 5770
vendasbrasil@enerpac.com

China (Taicang)

Actuant (China) Industries Co. Ltd.
No. 6 Nanjing East Road,
Taicang Economic Dep Zone
Jiangsu, China
T +86 0512 5328 7500
F +86 0512 5335 9690
Toll Free: +86 400 885 0369
sales-cn@enerpac.com

France, Switzerland, North Africa and French speaking African countries

ENERPAC
Une division d'ACTUANT France S.A.S.
ZA de Courtaboeuf
32, avenue de la Baltique
91140 VILLEBON /YVETTE
France
T +33 1 60 13 68 68
F +33 1 69 20 37 50
sales-fr@enerpac.com

Germany and Austria

ENERPAC GmbH
P.O. Box 300113
D-40401 Düsseldorf
Willstätterstrasse 13
D-40549 Düsseldorf, Germany
T +49 211 471 490
F +49 211 471 49 28
sales-de@enerpac.com

India

ENERPAC Hydraulics (India) Pvt. Ltd.
No. 10, Bellary Road, Sadashivanagar,
Bangalore, Karnataka 560 080
India
T +91 80 3928 9000
info@enerpac.co.in
www.enerpac.com

Italy

ENERPAC S.p.A.
Via Canova 4
20094 Corsico (Milano)
T +39 02 4861 111
F +39 02 4860 1288
sales-it@enerpac.com

Japan

Applied Power Japan LTD KK
Besshocho 85-7
Kita-ku, Saitama-shi 331-0821, Japan
T +81 48 662 4911
F +81 48 662 4955
sales-jp@enerpac.com

Middle East, Egypt and Libya

ENERPAC Middle East FZE
Office 423, LOB 15
P.O. Box 18004, Jebel Ali, Dubai
United Arab Emirates
T +971 (0)4 8872686
F +971 (0)4 8872687
sales-ua@enerpac.com

Russia

Rep. office Enerpac
Russian Federation
Admirala Makarova Street 8
125212 Moscow, Russia
T +7 495 98090 91
F +7 495 98090 92
sales-ru@enerpac.com

Southeast Asia, Hong Kong and Taiwan

Actuant Asia Pte Ltd.
83 Joo Koon Circle
Singapore 629109
T +65 68 63 0611
F +65 64 84 5669
Toll Free: +1800 363 7722
sales-sg@enerpac.com

South Korea

Actuant Korea Ltd.
3Ba 717, Shihwa Industrial Complex
Jungwang-Dong, Shihung-Shi,
Kyunggi-Do
Republic of Korea 429-450
T +82 31 434 4506
F +82 31 434 4507
sales-kr@enerpac.com

Spain and Portugal

ENERPAC SPAIN, S.L.
Avda. Los Frailes, 40 – Nave C & D
Pol. Ind. Los Frailes
28814 Daganzo de Arriba
(Madrid) Spain
T +34 91 884 86 06
F +34 91 884 86 11
sales-es@enerpac.com

Sweden, Denmark, Norway, Finland and Iceland

Enerpac Scandinavia AB
Kopparlundsvägen 14,
721 30 Västerås
Sweden
T +46 (0) 771 41 50 00
scandinavianinquiries@enerpac.com

The Netherlands, Belgium, Luxembourg, Central and Eastern Europe, Baltic States, Greece, Turkey and CIS countries

ENERPAC B.V.
Galvanistraat 115, 6716 AE Ede
P.O. Box 8097, 6710 AB Ede
The Netherlands
T +31 318 535 911
F +31 318 535 848
sales-nl@enerpac.com

Enerpac Integrated Solutions B.V.

Opaalstraat 44, 7554 TS Hengelo
P.O. Box 421, 7550 AK Hengelo
The Netherlands
T +31 74 242 20 45
F +31 74 243 03 38
integratedsolutions@enerpac.com

South Africa and other English speaking African countries

Enerpac Africa Pty Ltd.
No. 5 Bauhinia Avenue
Cambridge Office Park
Block E
Highveld Techno Park
Centurion 0157
Republic of South Africa
T: +27 12 940 0656
sales-za@enerpac.com

United Kingdom and Ireland

ENERPAC UK Ltd.
5 Coopies Field
Morpeth, Northumberland
NE61 6JR, England
T +44 (0) 1670 5016 50
F +44 (0) 1670 5016 51
sales-uk@enerpac.com

USA, Latin America and Caribbean

ENERPAC World Headquarters
P.O. Box 3241
Milwaukee WI 53201-3241 USA
N86 W12500 Westbrook Crossing
Menomonee Falls, Wisconsin 53051
T +1 262 293 1600
F +1 262 293 7036
User inquiries:
T +1 800 433 2766
Distributor inquiries/orders:
T +1 800 558 0530
F +1 800 628 0490
Technical inquiries:
techservices@enerpac.com
sales-us@enerpac.com

All Enerpac products are
guaranteed against defects
in workmanship and materials
for as long as you own them.

For the location of your nearest
authorized Enerpac Service Center,
visit us at www.enerpac.com

011415