

ENERPAC

POWERFUL SOLUTIONS. GLOBAL FORCE.

Repair Parts Sheet

Hydraulic Rail Puller with Brake Kit Model RP120UP

L3092 Rev. A 10/11

For Date Codes Beginning with the Letter "B"

To Protect Your Warranty, Use Only ENERPAC Hydraulic Oil.

Enerpac recommends that all kit components be installed to insure optimum performance of the repaired product.

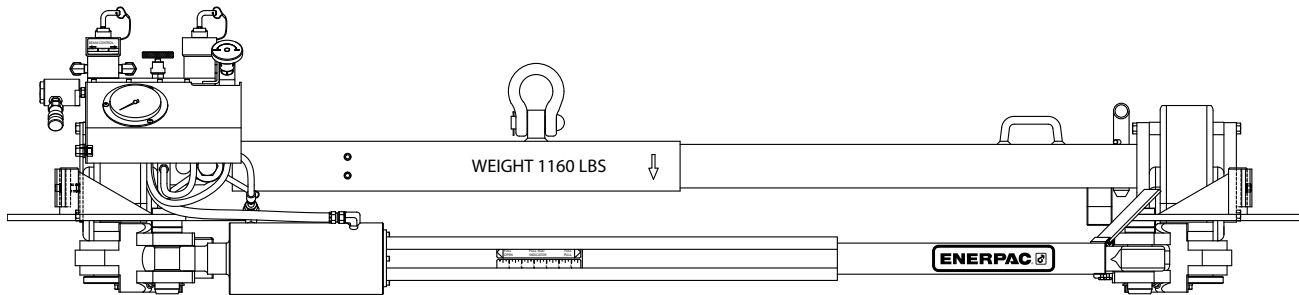
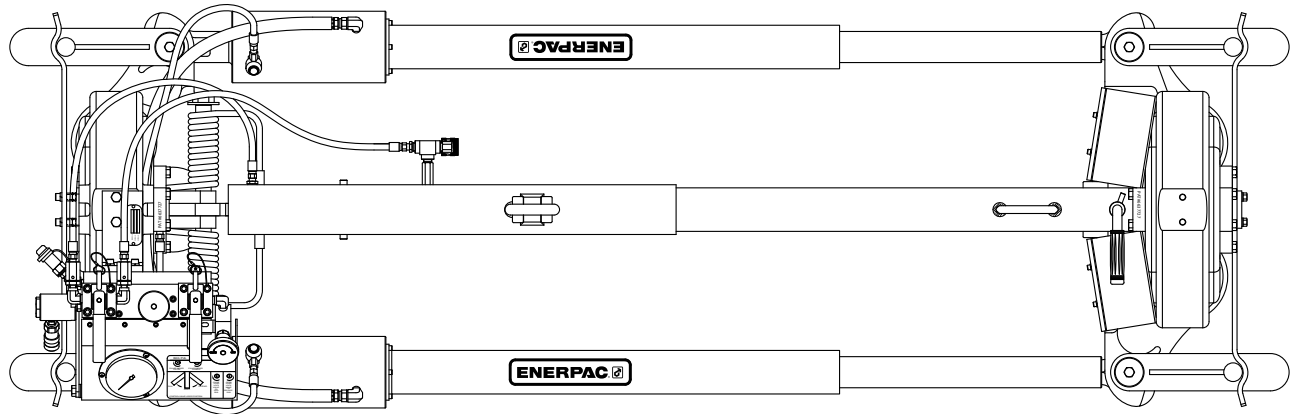
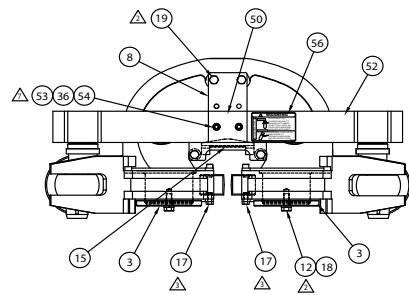
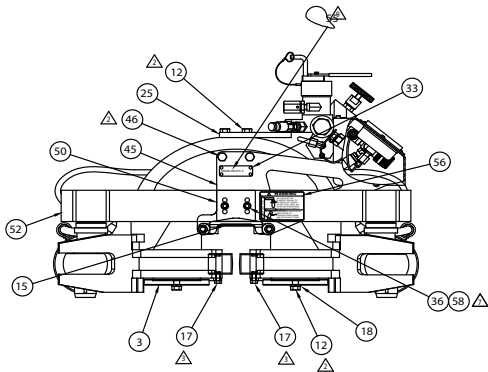
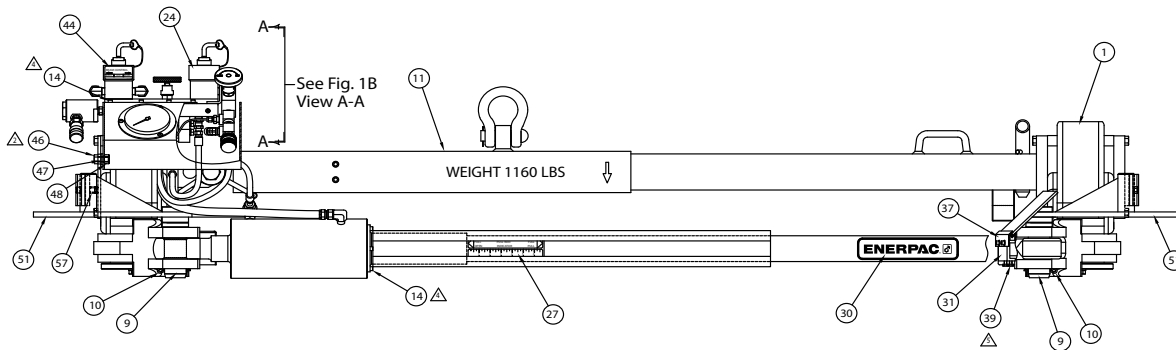
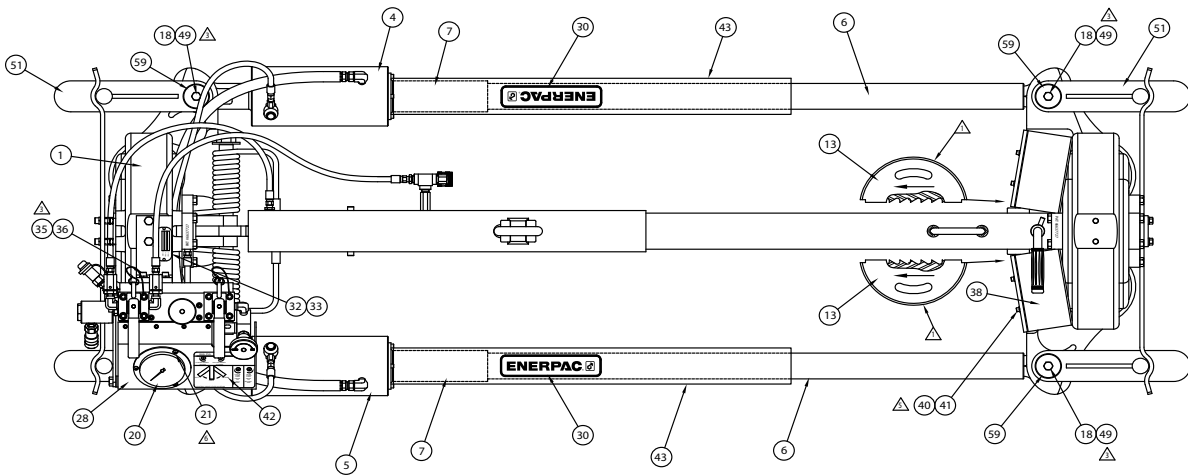
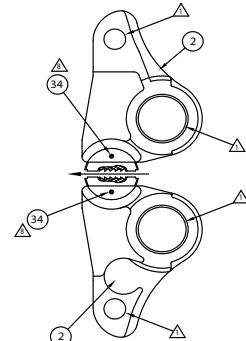
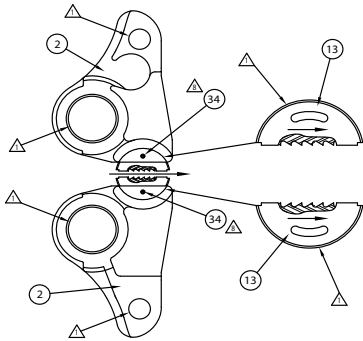


Figure 1A - RP120UP Rail Puller Main Assembly

NOTES:

- ▲ APPLY BOSTIK NEVER SEEZ 42291 TO THESE AREAS.
- ▲ TORQUE TO 350 IN-LBS.
- ▲ TORQUE TO 250 IN-LBS.
- ▲ TORQUE TO 75 IN-LBS.
- ▲ TORQUE TO 50 IN-LBS.
- ▲ TORQUE TO 25 IN-LBS.
- ▲ TORQUE TO 180 IN-LBS.
- ▲ ASSEMBLE FLUSH WITH TOP OF SWING ARM.
- ▲ DRILL 4 HOLES 0.120 DIA. (#31) THRU TO MOUNT ID PLATE ITEM #53.
- ▲ MODEL AND SERIAL NUMBER TAG.



Repair Parts List (Refer to Figure 1)

Item	Part Number	Qty.	Description	Item	Part Number	Qty.	Description
1	44563	2	Rail Puller Bracket	32	44799	1	Tag, Model and Serial No.
2	44564	4	Rail Puller Swing Arm	33	44908E	2	Drive Screw #6 x 1/4"
3	44582E	4	Swing Arm Plate	34	93632E	4	Set Screw - Nylok
4	(See Fig. 2)	1	Rail Puller Cyl Asm Left	35	93594E	2	SHCS 3/8-16 x 1" Lg
5	(See Fig. 2)	1	Rail Puller Cyl Asm Right	36	C432108	6	Lock Washer
6	44585	2	Rail Clevis Rod Assembly	37	46082	4	Rail Puller Brush Holder
7	44584	2	Rail Piston Rod Cover	38	46083	4	Rail Puller Grind Guard
8	44579	1	Lift Beam Mounting Bracket	39	B1005046X	8	HHCS, 1/4-20 x .75" Zinc
9	44593	4	Rail Pull Pin Swing	40	93580E	8	SHCS 1/4-20 x 3/8" Lg.
10	93789E	4	Cotter Pin	41	B1015066X	8	Lockwasher, 1/4" Zinc
11	(See Fig. 3)	1	Rail Puller Beam Assembly	42	◆ DS1340026	1	Decal, Operation
12	44629	6	HHCS 1/2-12 x 1/25" Plt	43	46680	2	Rail Puller Saw Guard
13	44583E	4	Rail Pull Grip	44	◆ DS1337026	1	Decal, Beam Control Valve
14	93581E	12	SHCS 1/4-20 x 1/2"	45	DS1975111	1	Bracket, Intensifier Support
15	44592E	2	Rail Puller Wear Plate	46	B1137046X	5	HHCS 1/2-13 x 1" Zinc
17	B1073046X	4	HHCS 3/8-16 x 3/4" Lg.	47	B1036108X	2	Flat Washer, 1/2" Zinc
18	93946E	4	Lock Washer, 1/2" Plt	48	B1009122	1	Hex Nut, 1/2-13
19	44630	12	HHCS 1/2-13 x 1.75" Plt.	49	46174	4	HHCS, 1/2-13 x 1.75"
20	46107	1	Tonnage Gauge	50	46177	2	Plate, Spring Washer
21	43365E	3	BHCS 10-24 x .25 316SS	51	46004	4	Latch Bar
22	46106E	1	Female Connector 1/4 NPT	52	46005	2	Safety Spring
23	46419	1	Tubing, Rail Puller Gauge	53	84692E	2	SHCS, 3/8-16 x 1.75"
24	(See Fig. 4)	1	Rail Puller Intensifier Asm	54	93874PE	2	Hex Jam Nut, 3/8-16 Plt.
25	44587	1	Intensifier Mtg Bracket	55	45070Z	1	Tag, Brass
27	◆ 44639	1	Decal, Rail Pull Indicator	56	◆ 46316	2	Decal, RP Safety Latch
28	46104	1	Intensifier Cover	57	DS2068186	2	Spring, Spacer Lock Down
30	◆ 68259E	4	Logo, Enerpac 9.19 x 1.94"	58	B1073028X	2	SHCS, 3/8-16 X 1.50"
31	46081	4	Rail Puller Brush Bracket	59	46006	4	Bar, Spacer Latch

◆ Included as part of Decal Kit RP120BPKD.

Figure 1B - RP120UP Rail Puller Main Assembly

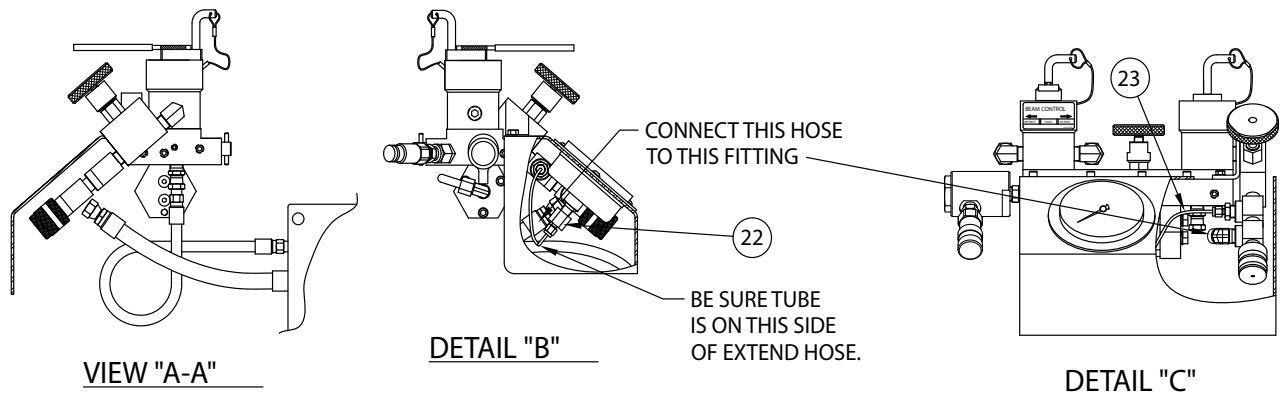
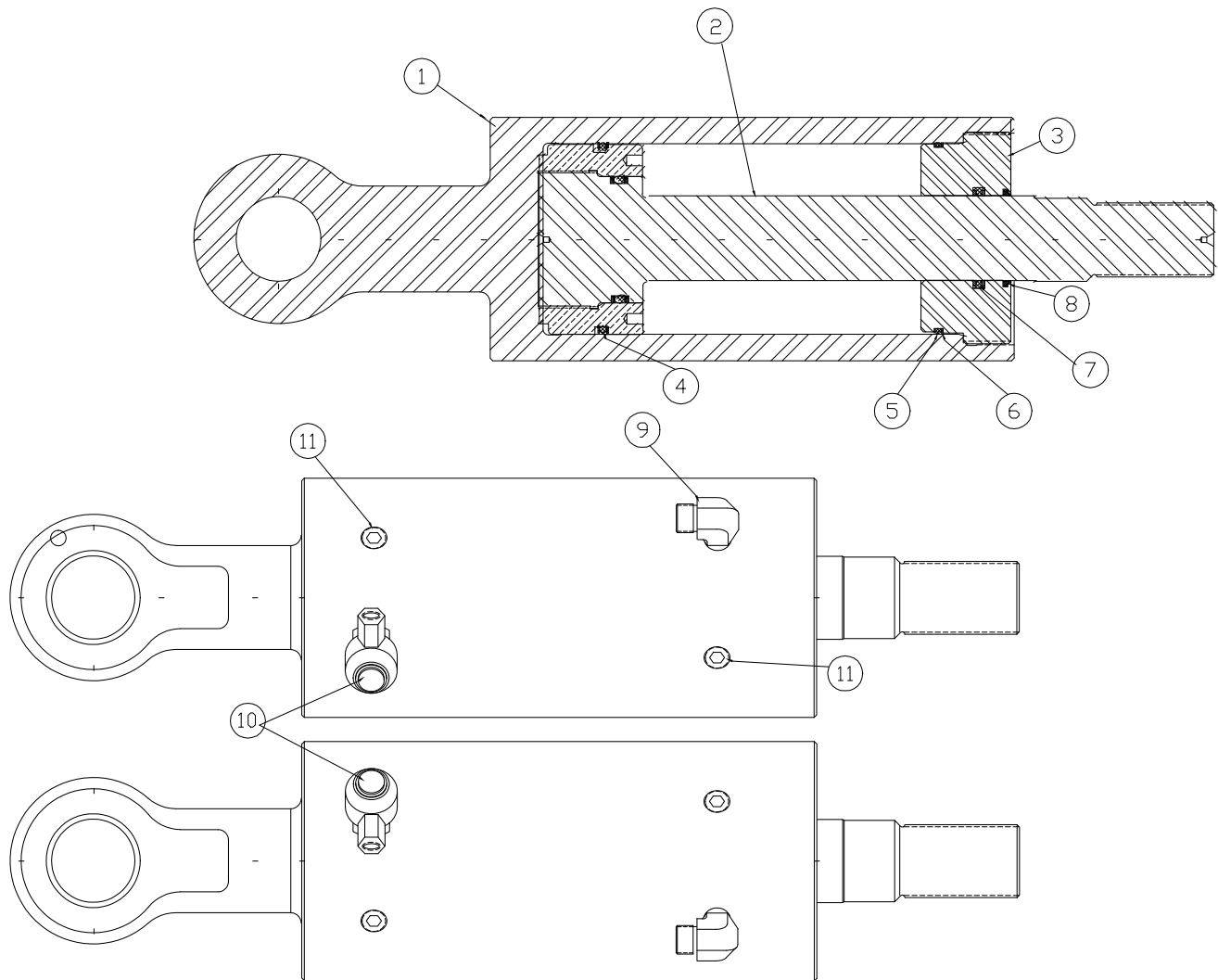
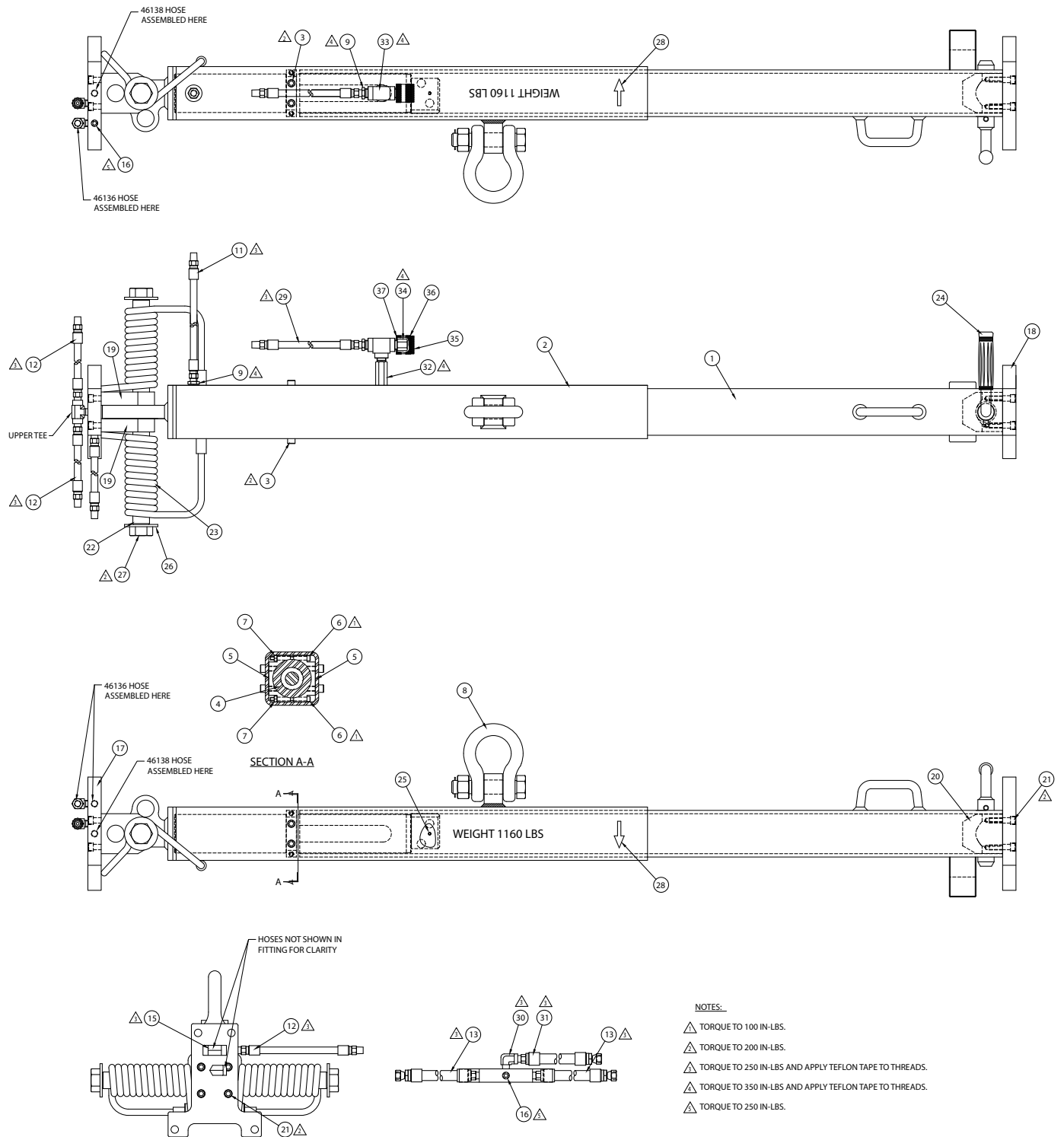


Figure 2 - 46148 Cylinder Assembly (Left)
46149 Cylinder Assembly (Right)



Repair Parts List (Refer to Figure 2)			
Item	Part Number	Qty.	Description
1	44575	1	Rail Puller Cylinder Body
2	44576	1	Rail Puller Piston
3	44577	1	Rail Puller Retaining Nut
4	✚ 85566E	1	T-Seal Piston, 4-1/2"
5	✚ 5602244E	1	O-Ring, 4-1/4 x 4-1/2
6	✚ 5608244E	1	Back-Up Ring
7	✚ 97295E	1	GT Ring (Rod Type)
8	✚ 85557E	1	Wiper 2" Rod
9	44865E	1	Elbow 3/8 NPT-O-Ring
10	46091	1	FM Pipe Union To M Pipe
11	84084E	2	Pipe Plug 3/8" Flush
✚ Included as part of Seal Kit 54290K.			

Figure 3 - DS1346900 Beam Assembly

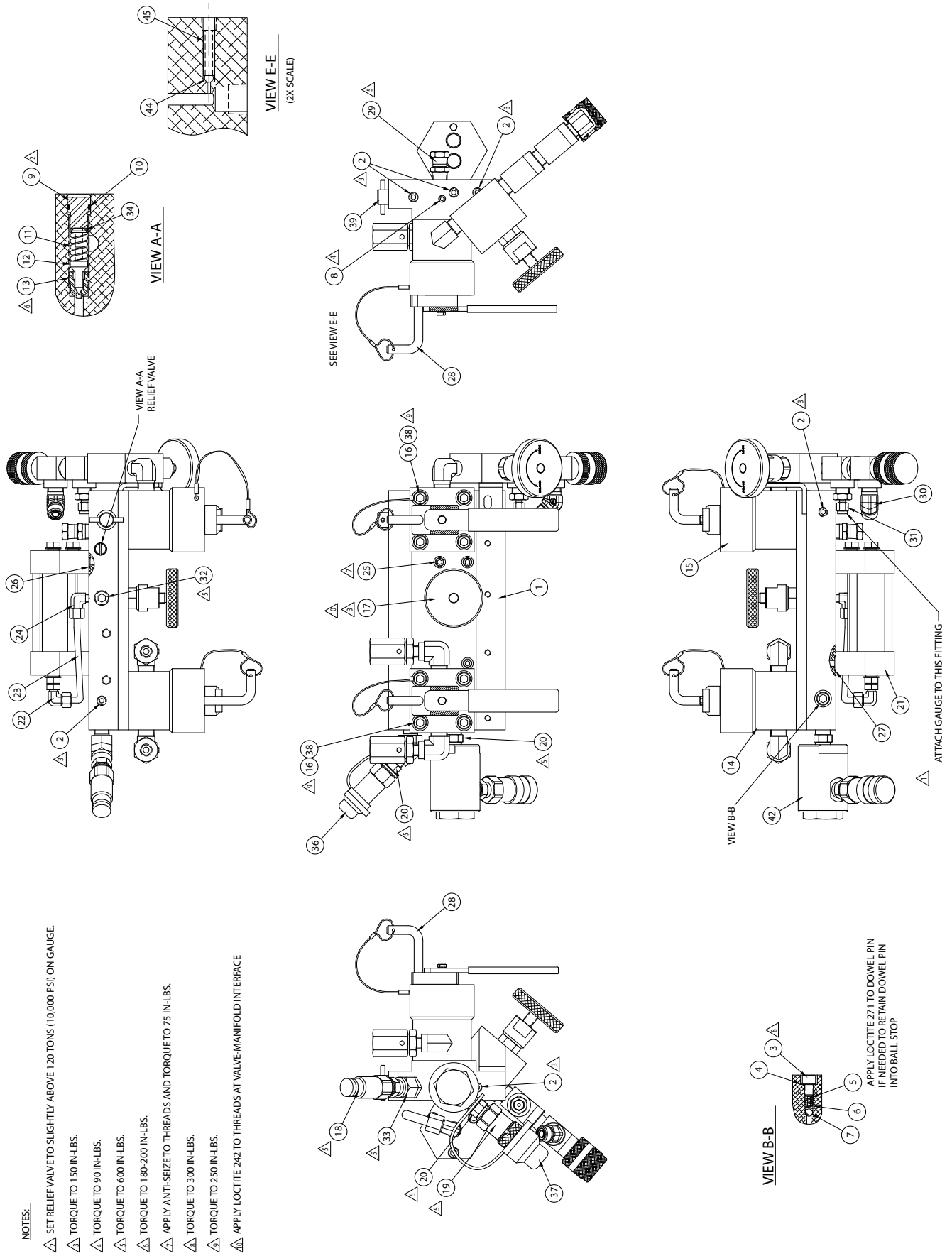


Repair Parts List (Refer to Figure 3)

Item	Part Number	Qty.	Description	Item	Part Number	Qty.	Description
1	44569	1	Lift Beam Inner Weld	22	44604	1	Lift Beam Pivot Pin
2	46232	1	Lift Beam Outer Weld	23	44313C	1	Torsion Spring Conn
3	97084E	4	SHCS 3/8-16 x 3/4" Lg		44313L	1	Torsion Spring Left
4	44617	1	RP Beam RDA 1012		44313R	1	Torsion Spring Right
5	44605	2	Cylinder Mounting Clamp	24	44568	1	Lifting Beam Pin
6	81908	2	SHCS 1/4-20 x 2.75"	25	43757E	1	Roll Pin 3/16" x 2-1/4"
7	B1001122	2	Hex Nut 1/4-20"	26	42080E	2	Washer 2-1/2" x 11/16"
8	43217	1	Lifting Shackle	27	44631	2	HHCS 1"-8 x 2" Plated
9	46421E	2	Reducer 3/8" x 1/4"	28	◆ 68094E	2	Decal, Arrow
11	DS1327646	1	Hose 32" Low Pressure	29	46137E	1	Hose, 42" Low Pressure
12	46136E	3	Hose 24" Low Pressure	30	F100095-7	1	Street Elbow, 0.25"
13	46138E	2	Hose 24" High Pressure	31	46359	1	Hose 14" High Pressure
15	F100095-35	2	.25" NPT Tee	32	18103E	1	Pipe Nipple, 3"
16	A1008245	2	Pipe Plug 1/4" Flush	33	CJ652096	1	Tee, Female 3/8 NPTF
17	46058	1	Mounting Plate	34	88458E	1	Valve, Relief, 4200 PSI
18	44579	1	Lift Beam Mounting Bkt.	35	88822E	1	Plug, Dust
19	44580	2	Clevis Mounting Bracket	36	88823E	1	Sleeve
20	44581	1	Bracket Clevis RP	37	88824E	1	Washer
21	86184E	8	SHCS 3/8-16 x 1-1/2"				

◆ Included as part of Decal Kit RP120BPKD.

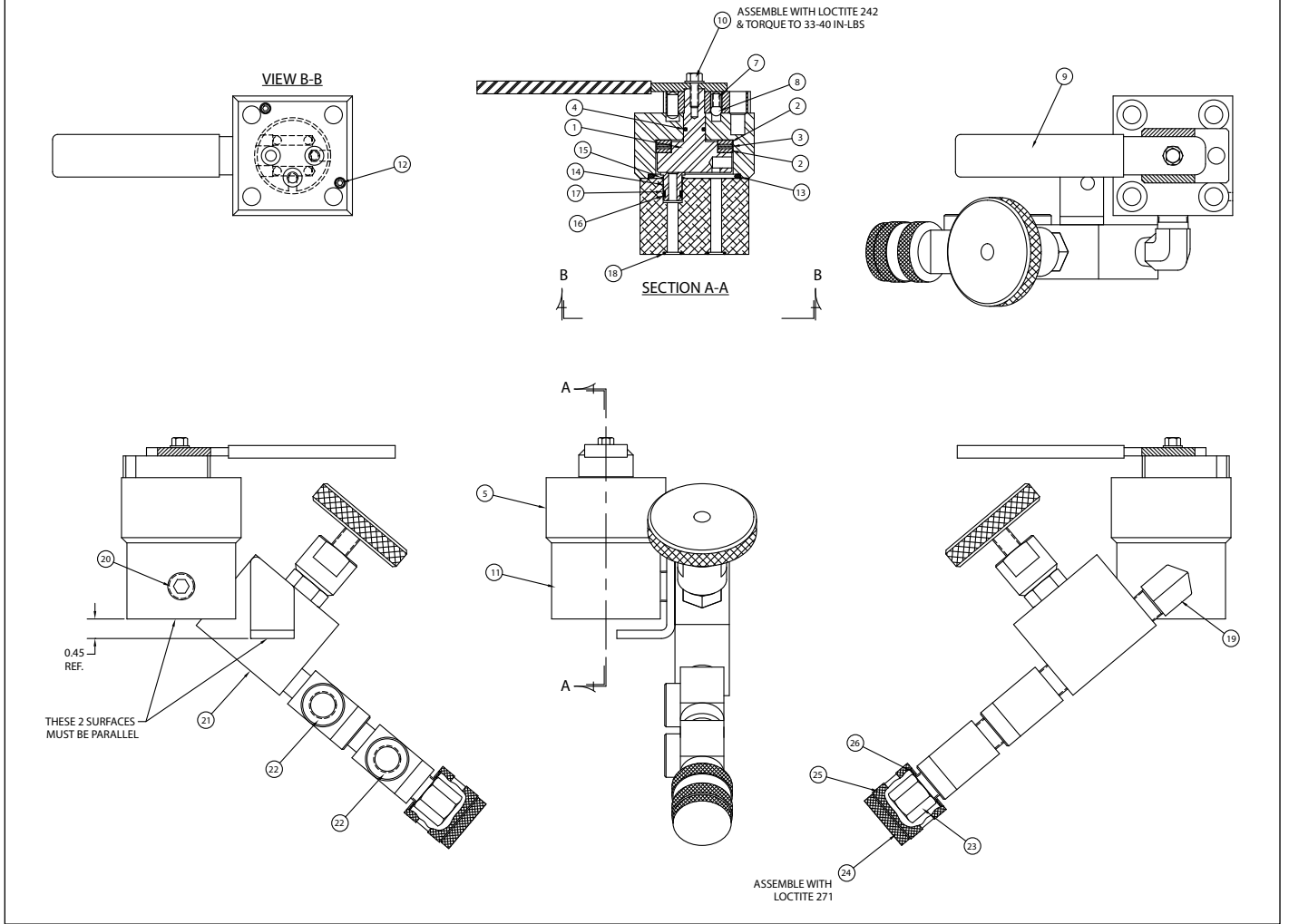
Figure 4 - DS1345900 Intensifier Assembly



Repair Parts List (Refer to Figure 4)

Item	Part Number	Qty.	Description	Item	Part Number	Qty.	Description
1	46549	1	Rail Intensifier Manifold	22	43955E	1	Straight Thd Elbow
2	A1007245	6	Pipe Plug, 1/8" Flush	23	43956E	1	Tube Assembly
3	46124E	1	Ball Stop Intensifier	24	43957E	1	Male Elbow
4	85726E	1	Gasket 25/64 x 19/32"	25	40843E	4	SHCS 1/4-20 x 1.5"
5	69424E	1	Dowel Pin, 1/8" Dia	26	B1011803	1	O-Ring
6	68225E	1	Spring	27	B1014903	1	O-Ring 1/2 x 5/8"
7	B1009016	1	Ball, 5/16"	28	88530E	2	Lock Pin W/Lanyard
8	A1006245	1	1/16" Pipe Plug - Flush	29	DS1974095	1	3/8 NPTF, 1/4 NPSM Swivel
9	43274E	1	Pow'r Bud Adj Screw	30	45927	1	Elbow, 45 3/8 NPT O-Ring
10	B1012903	1	O-Ring .38" x .50" x .06"	31	46105	1	Male Conn 3/8 NPT-1/8"
11	66085E	1	Spring - Relief Valve	32	A1009245	1	Flush Plug, 3/8"
12	68003E	1	Cone - Ext Relief	33	CU235096	1	Elbow, 45 Deg Street
13	68004E	1	Seat - Ext Relief	34	88497E	1	Spring Cap
14	(See Fig. 8)	1	Bear Control Valve	36	C515E	1	Dust Cap FF Hose
15	(See Fig. 5)	1	Control Valve, Rail Puller	37	C516E	1	Dust Cap FF Ram
16	83341E	8	SHCS 3/8-16 x 3-1/4"	38	C432108	8	Lock Washer 3/8"
17	(See Fig. 7)	1	Assembly, Needle Valve	39	44842SR	1	Release Screw ASM
18	43959E	1	LP Coup Male, 3/8"	42	46522E	1	Inline Filter
19	43960E	1	LP Coup Female, 3/8"	44	B1005016	1	Ball, 3/16" Dia
20	CJ651096	3	Pipe Nipple	45	46700	1	Spring Relief
21	(See Fig. 9)	1	Hydraulic Booster				

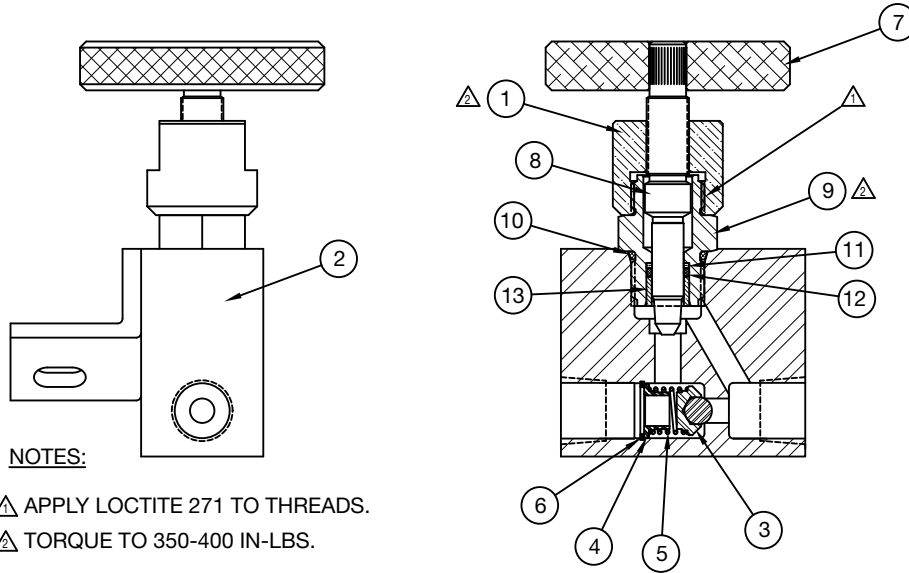
Figure 5 - 46066SR Control Valve Subassembly



Repair Parts List (Refer to Figure 5)

Item	Part Number	Qty.	Description	Item	Part Number	Qty.	Description
1	44603E	1	Valve Rotor Beam Control	15	68028E	3	Spring Washer
2	68026E	2	Thrust Washer	16	B1006503	3	O-Ring 5/16 x 7/16"
3	68155E	1	Thrust Bearing	17	B1011564	3	Washer-BU
4	B1007503	1	O-Ring 3/8 x 1/2"	18	B1011803	3	O-ring 5/16 x 7/16
5	43962E	1	Upper Valve Block	19	80626E	1	90 Male Elbow, 3/8-3/8"
7	68025E	1	Detent Spring	20	A1009245	1	Pipe Plug, 3/8" Flush
8	B1007016	1	Ball 1/4"	21	(See Fig. 6)	1	V10E Asm W/Bracket
9	45040SR	1	Valve Handle Rail Puller	22	18114E	2	Service Tee
10	DS2115046	1	Screw 10-24 x .50 Hex Flg.	23	84027E	1	Relief Valve, 10,500 PSI
11	44602E	1	Sub Plt 4W Valve Int	24	88822E	1	Dust Plug
12	85317E	2	SHCS #6-32 x 5/8" Lg.	25	88823E	1	Sleeve
13	B1091503	1	O-Ring 1-7/8 x 2-1/8"	26	88824E	1	Washer
14	68181E	3	Seal				

Figure 6 - 44614SR V10E Valve Subassembly



NOTES:

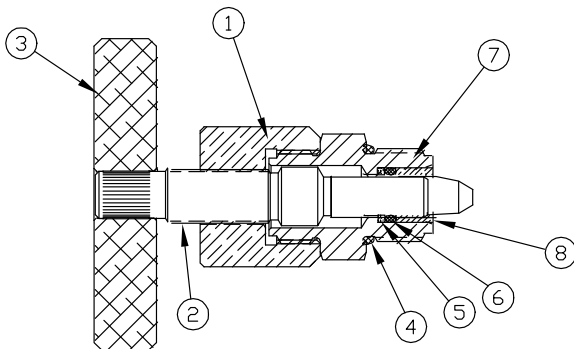
- △ APPLY LOCTITE 271 TO THREADS.
- △ TORQUE TO 350-400 IN-LBS.

Repair Parts List (Refer to Figure 6)

Item	Part Number	Qty.	Description	Item	Part Number	Qty.	Description
1	❖ 44973E	1	Cap, Needle Valve	8	❖ 44689E	1	Needle, Nickel Plated
2	44613E	1	V10E Manifold W/ Brk	9	❖ 42565E	1	Retainer, Needle Valve
3	41186E	1	Poppet Assy	10	❖ 5603908E	1	O-Ring SAE Port #8
4	41187E	1	Spring Guide	11	❖ B1011564	1	Washer, Back-up
5	41188E	1	Spring	12	❖ 56020112E	1	O-Ring, 5/16" x 7/16" URE
6	41189E	1	Retaining Ring - Intrn	13	❖ 42567E	1	O-Ring Trap
7	❖ 43958E	1	Knob, Intensifier				

❖ Included as part of Needle Assembly 41183SR.

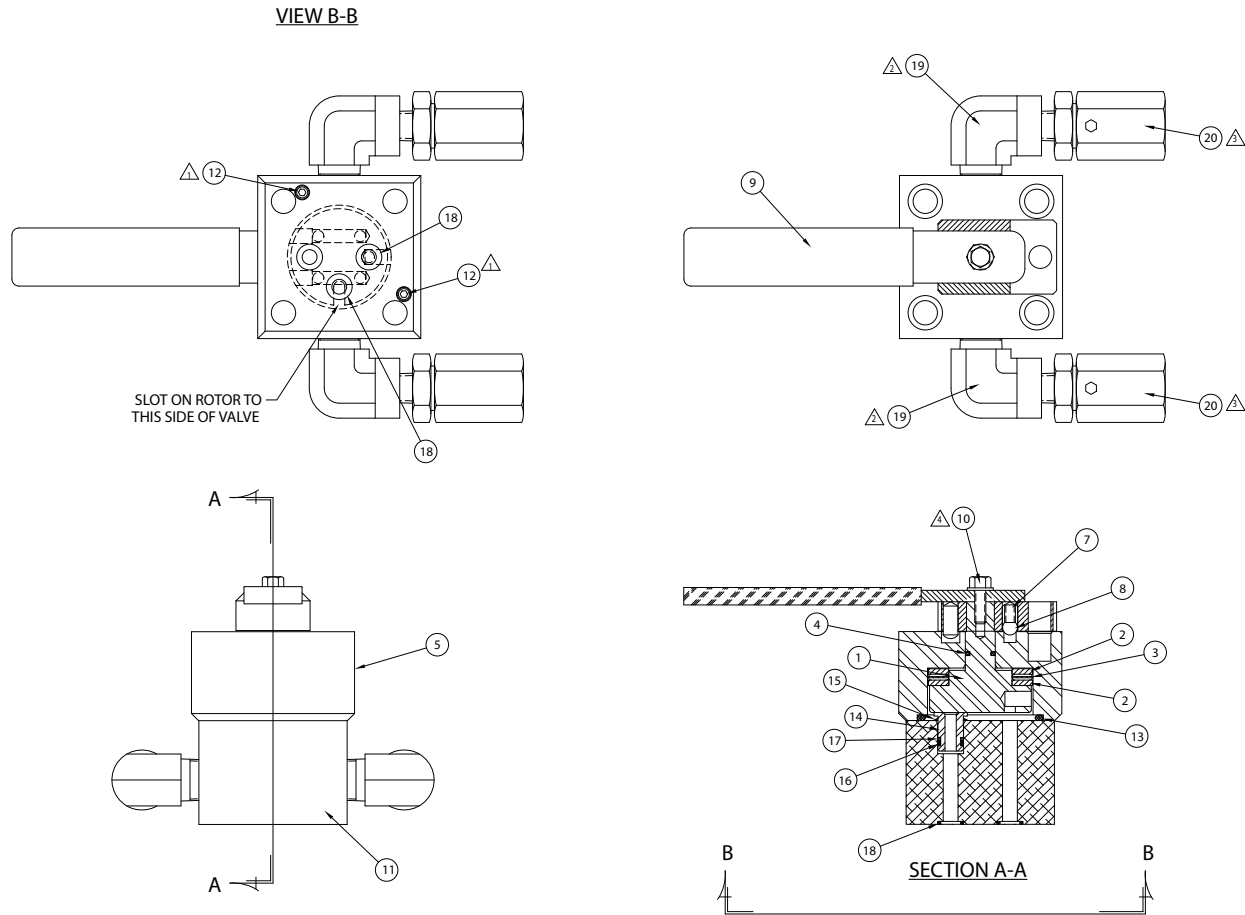
Figure 7 - DS1508900SR Needle Valve Assembly



Repair Parts List (Refer to Figure 7)

Item	Part Number	Qty.	Description
1	44973E	1	Cap, Needle Valve
2	DS1507617	1	Spool, Speed Control
3	42568E	1	Knob, Needle Valve
4	5603908E	1	O-Ring, SAE Port 8
5	B1011564	1	Washer, Back-up
6	56020112E	1	O-Ring, 5/16" x 7/16" URE
7	42565E	1	Retainer, Needle Valve
8	42567E	1	O-Ring Trap

Figure 8 - DS1344900SR Beam Control Valve



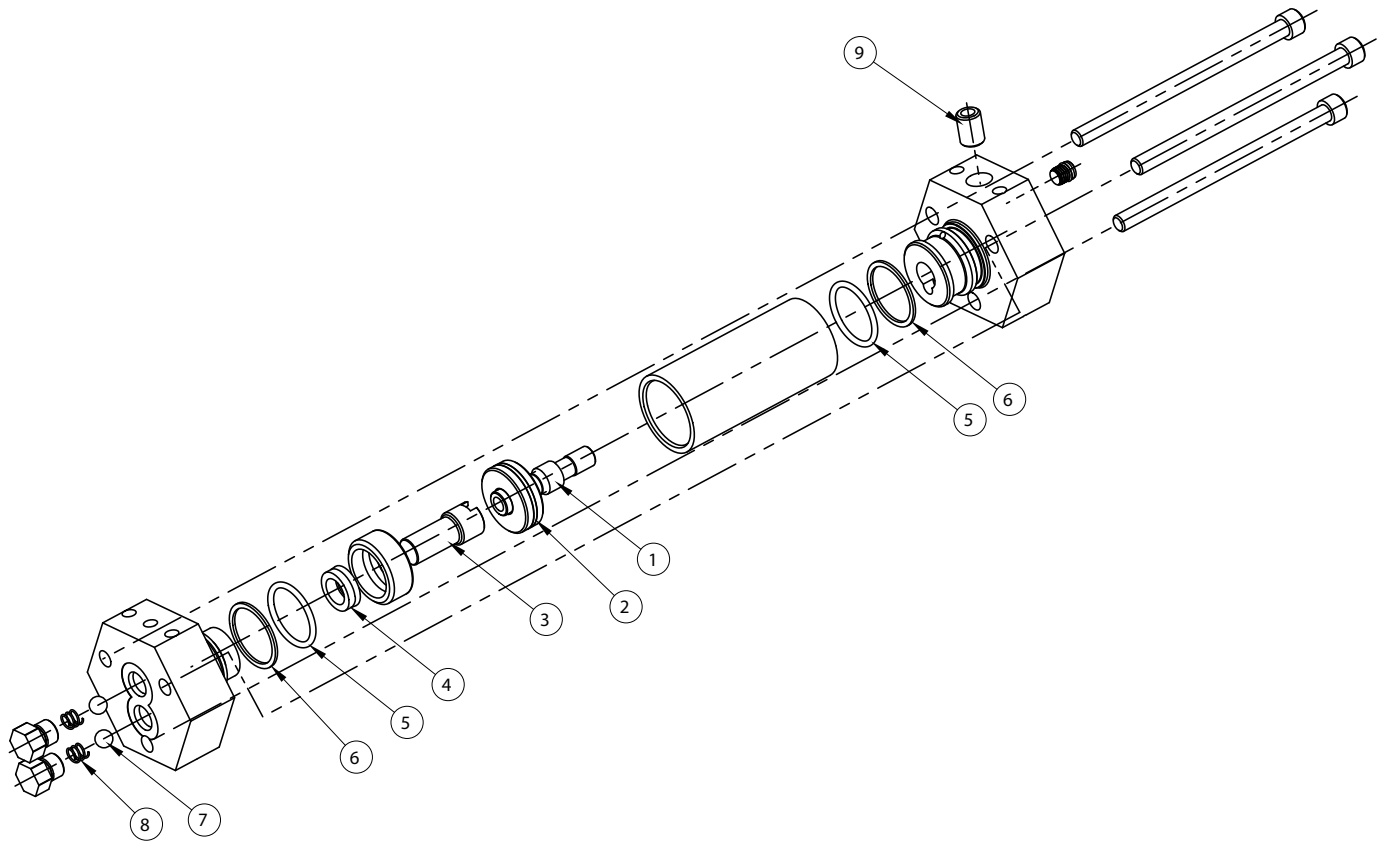
NOTES:

- △ TORQUE TO 20-30 IN-LBS.
- △ TORQUE TO 25-30 FT-LBS AND APPLY TEFLON TAPE OR LOCTITE 545 TO THE THREADS.
- △ TORQUE TO 15-20 FT-LBS AND APPLY TEFLON TAPE OR LOCTITE 545 TO THE THREADS.
- △ TORQUE TO 33-40 IN-LBS AND APPLY LOCTITE 242.

Repair Parts List (Refer to Figure 8)

Item	Part Number	Qty.	Description	Item	Part Number	Qty.	Description
1	44603E	1	Valve Rotor Beam Con	12	85317E	2	SHCS #6-32 x 5/8" Lg.
2	68026E	2	Thrust Washer	13	B1225903	1	O-Ring 1-7/8 x 2-1/8"
3	68155E	1	Thrust Bearing	14	68181E	3	Seal
4	B1012903	1	O-Ring 3/8 x 1/2"	15	68028E	3	Spring Washer
5	43962E	1	Upper Valve Block	16	B1011903	3	O-Ring 5/16 x 7/16"
7	68025E	1	Detent Spring	17	B1011564	3	Washer-BU
8	B1007016	1	Ball 1/4"	18	B1011803	3	O-Ring
9	45040SR	1	Valve Handle Rail Puller	19	42352E	1	90 Male Elbow, 1/4-3/8"
10	DS2115046	1	Screw, 10-24 x 0.50" Hex Flg.	20	46139	2	F to M Swivel, 1/4" Pipe
11	44602E	1	Sub Plt 4W Valve Int				

Figure 9 - 43912 Hydraulic Booster Assembly



Repair Parts List (Refer to Figure 9)			
Item	Part Number	Qty.	Description
1	DS2345051	1	Piston/Shuttle Assembly
2	* ❖	1	Piston Seal
3	DS2344051	1	Piston, High Pressure
4	*	1	U-Cup
5	*	2	O-Ring
6	*	2	Backup
7	*	2	Ball, 5/16"
8	*	2	Spring
9	❖ DS1738828	1	Orifice 1/8"

* Included as part of Repair Kit 43912RK.
❖ Included with item #1.
❖ Orifice may not be separate part on some recent production units.
Note: For complete hydraulic booster assembly, order part number 43912 (includes all parts shown above).

Enerpac Worldwide Locations

◆ e-mail: info@enerpac.com

◆ internet: www.enerpac.com

Australia and New Zealand

Actuant Australia Ltd.
Block V Unit 3
Regents Park Estate
391 Park Road
Regents Park NSW 2143
(P.O. Box 261) Australia
T +61 (0)2 9743 8988
F +61 (0)2 9743 8648
sales-au@enerpac.com

Brazil

Power Packer do Brasil Ltda.
Rua dos Inocentes, 587
04764-050 - Sao Paulo (SP)
T +55 11 5687 2211
F +55 11 5686 5583
Toll Free: 0800 891 5770
vendasbrasil@enerpac.com

Canada

Actuant Canada Corporation
6615 Ordan Drive, Unit 14-15
Mississauga, Ontario L5T 1X2
T +1 905 564 5749
F +1 905 564 0305
Toll Free:
T +1 800 268 4987
F +1 800 461 2456
customer.service@actuant.com

China

Actuant (China) Industries Co. Ltd.
No. 6 Nanjing East Road,
Taicang Economic Dep Zone
Jiangsu, China
T +86 0512 5328 7500
F +86 0512 5335 9690
Toll Free: +86 400 885 0369
sales-cn@enerpac.com

France, Switzerland, North Africa and French speaking African countries

ENERPAC
Une division d'ACTUANT France S.A.
ZA de Courtaboeuf
32, avenue de la Baltique
91140 VILLEBON /YVETTE
France
T +33 1 60 13 68 68
F +33 1 69 20 37 50
sales-fr@enerpac.com

Germany and Austria

ENERPAC GmbH
P.O. Box 300113
D-40401 Düsseldorf
Willstätterstrasse 13
D-40549 Düsseldorf, Germany
T +49 211 471 490
F +49 211 471 49 28
sales-de@enerpac.com

India

ENERPAC Hydraulics Pvt. Ltd.
No. 1A, Peenya Industrial Area
IInd Phase, Bangalore, 560 058, India
T +91 80 40 792 777
F +91 80 40 792 792
sales-in@enerpac.com

Italy

ENERPAC S.p.A.
Via Canova 4
20094 Corsico (Milano)
T +39 02 4861 111
F +39 02 4860 1288
sales-it@enerpac.com

Japan

Applied Power Japan LTD KK
Besshocho 85-7
Kita-ku, Saitama-shi 331-0821, Japan
T +81 48 662 4911
F +81 48 662 4955
sales-jp@enerpac.com

Middle East, Egypt and Libya

ENERPAC Middle East FZE
Office 423, LOB 15
P.O. Box 18004, Jebel Ali, Dubai
United Arab Emirates
T +971 (0)4 8872686
F +971 (0)4 8872687
sales-ua@enerpac.com

Russia

Rep. office Enerpac
Russian Federation
Admirala Makarova Street 8
125212 Moscow, Russia
T +7 495 98090 91
F +7 495 98090 92
sales-ru@enerpac.com

Singapore

Actuant Asia Pte Ltd.
83 Joo Koon Circle
Singapore 629109
T +65 68 63 0611
F +65 64 84 5669
Toll Free: +1800 363 7722
sales-sg@enerpac.com

South Korea

Actuant Korea Ltd.
3Ba 717, Shihwa Industrial Complex
Jungwang-Dong, Shihung-Shi,
Kyunggi-Do
Republic of Korea 429-450
T +82 31 434 4506
F +82 31 434 4507
sales-kr@enerpac.com

Spain and Portugal

ENERPAC SPAIN, S.L.
Avda. Los Frailes, 40 – Nave C & D
Pol. Ind. Los Frailes
28814 Daganzo de Arriba
(Madrid) Spain
T +34 91 884 86 06
F +34 91 884 86 11
sales-es@enerpac.com

Sweden, Denmark, Norway, Finland and Iceland

Enerpac Scandinavia AB
Fabriksgatan 7
412 50 Gothenburg
Sweden
T +46 (0) 31 799 0281
F +46 (0) 31 799 0010
scandinavianinquiries@enerpac.com

The Netherlands, Belgium, Luxembourg, Central and Eastern Europe, Baltic States, Greece, Turkey and CIS countries

ENERPAC B.V.
Galvanistraat 115
6716 AE Ede
P.O. Box 8097
6710 AB Ede
The Netherlands
T +31 318 535 911
F +31 318 535 848
sales-nl@enerpac.com

Enerpac Integrated Solutions B.V.

Opaalstraat 44
7554 TS Hengelo
P.O. Box 421
7550 AK Hengelo
The Netherlands
T +31 74 242 20 45
F +31 74 243 03 38
integratedsolutions@enerpac.com

South Africa and other English speaking African countries

Enerpac Africa Pty Ltd.
No. 5 Bauhinia Avenue
Cambridge Office Park
Block E
Highveld Techno Park
Centurion 0157
South Africa
T: +27 12 940 0656

United Kingdom and Ireland

ENERPAC Ltd.,
Bentley Road South
Darlaston, West Midlands
WS10 8LQ
England
T +44 (0)121 50 50 787
F +44 (0)121 50 50 799
sales-uk@enerpac.com

USA, Latin America and Caribbean

ENERPAC
P.O. Box 3241
Milwaukee WI 53201 USA
T +1 262 293 1600
F +1 262 293 7036
User inquiries:
T +1 800 433 2766
Distributor inquiries/orders:
T +1 800 558 0530
F +1 800 628 0490
Technical inquiries:
techservices@enerpac.com
sales-us@enerpac.com

All Enerpac products are guaranteed
against defects in workmanship and
materials for as long as you own them.

For the location of your nearest authorized
Enerpac Service Center, visit us at
www.enerpac.com

101711