

RRT-2008CP

TRACK GAUGE AND ELEVATION LEVEL

INFORMATION AND SPECIFICATION

MANUFACTURED AND ASSEMBLED IN USA (OH)



RRT-2008 OPERATION INSTRUCTIONS:



1. MEASURE TRACK GAUGE

**MEASURE TRACK GAUGE 56 1/2(+ 1 3/4 TO - 1 1/2 INCHES)
INCREMENTS OF 1/16 FOR CRITICAL CHECKS.**

SIMPLY SET WIDE END (FIXED END) OF GAUGE ON ONE RAIL AND SLEW GAUGE TO LEFT AND RIGHT TO VERIFY CONTACT POINTS ARE FLUSH TO RAIL. LOWER BETWEEN RAILS. NEXT, WITH ONE HAND GRAB HANDLE AND LIGHTLY PUSH FIXED END OF GAUGE AGAINST RAIL AND HOLD. NEXT, WITH OTHER HAND SLIDE THE BLACK KNOB TOWARDS GAUGE RAIL UNTIL CONTACT. RELEASE, READ MEASUREMENT.

2. MEASURE GUARD CHECK GAUGE.



MEASURE FROM 53 3/4 TO 56 5/16

**THE DISTANCE BETWEEN THE GAUGE LINE OF A FROG TO THE GUARD LINE OF ITS GUARD RAIL OR GUARDING FACE, MEASURED ACROSS THE TRACK AT RIGHT ANGLES TO THE GAUGE LINE.*

TO MEASURE GUARD CHECK.

SIMPLY SET WIDE END (FIXED END) OF GAUGE ON FROG GAUGE LINE AND SLEW GAUGE TO LEFT AND RIGHT TO VERIFY CONTACT POINTS ARE FLUSH TO RAIL, LOWER NARROW END BETWEEN GUARD RAIL AND RUNNING RAIL. NEXT, WITH ONE HAND GRAB HANDLE AND LIGHTLY PUSH FIXED END OF GAUGE AGAINST FROG AND HOLD. NEXT, WITH OTHER HAND SLIDE THE BLACK KNOB BACK TO CONTACT GUARD RAIL. RELEASE, READ MEASUREMENT.

3. TWO PIECE DESIGN



ALL 2008CP GAUGES ARE EASILY TRANSPORTABLE WITH OUR 2 PIECE DESIGN IN EVERY GAUGE. SEPARATES TO A LENGTH OF 44" FOR EASY HANDLING AT 8 LBS.

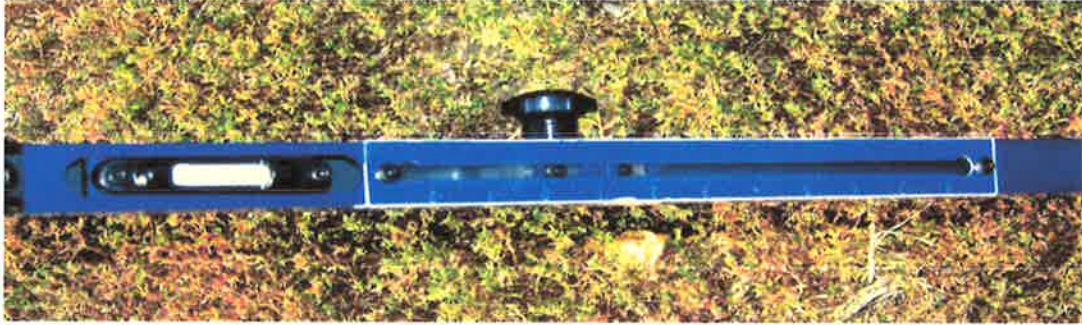
TO SEPARATE, SIMPLY REMOVE ALLEN WRENCH FROM HANDLE, INCLUDED. LOOSEN THE 2 SOCKET HEAD BOLTS NEAREST HANDLE AND REMOVE. PULL SMALL END FROM LONG END. GAUGE WILL SEPARATE. REINSTALL SOCKET HEAD BOLTS IN HOLES FOR TRANSPORT. REVERSE PROCEDURE TO REASSEMBLE.

RRT-2008CP

SAME PROCEDURE IS APPLICABLE, BUT YOU ALSO HAVE THE CONVENIENCES OF A CAM LOCK PIN FOR ASSEMBLY. SIMPLY SLIDE THE TWO HALVES TOGETHER WITH THE SOCKET HEAD BOLTS REMOVED. NEXT SLIDE THE CABLE ATTACHED PIN INTO THE HOLE ON THE RIGHT SIDE OF THE GAUGE UNTIL THE END IS PROTRUDING OUT THE OTHER SIDE. NEXT TWIST PIN TO A FIRM STOP. DISSASSEMBLE BY REVERSING.



4. LEVEL AND ELEVATION



CROSS LEVEL AND OR ELEVATION FROM -2" TO + 8"

TOLERANCE OF $\pm 1/16$

*** SIMPLY PLACE FIXED (WIDE) END OF GAUGE AGAINST LOW SIDE RUNNING RAIL. ADJUST GAUGE TO DESIRED ELEVATION AND LOCK. RAISE HIGH RAIL TO LEVEL AS INDICATED BY BUBBLE.***

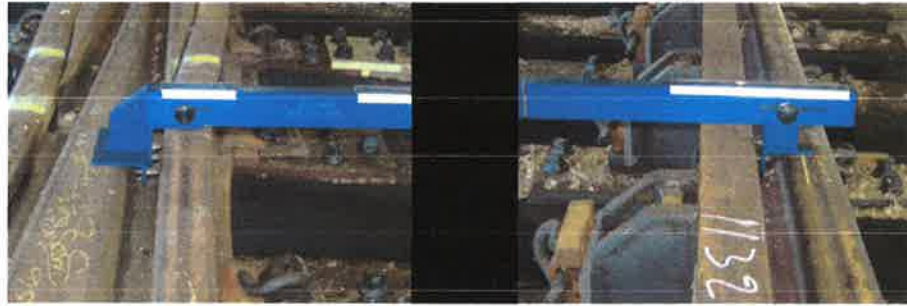
5. FLANGEWAY MEASUREMENT WORKS ON RAISED AND LEVEL GUARD RAILS



1 7/8 FLANGEWAY WITH -3/8 TO +1 1/8 RANGES.

***SIMPLY SET WIDE END (FIXED END) OF GAUGE ON TRACK BETWEEN GUARD RAIL AND RUNNING RAIL. SLEW GAUGE TO LEFT AND RIGHT TO VERIFY CONTACT POINTS ARE FLUSH TO RAIL, LOWER BETWEEN RAILS. WHILE HOLDING TO HANDLE, LOOSEN KNOB ON FIXED END AND SLIDE OUT TO CONTACT GUARD RAIL, READ MEASUREMENT. (NOTE: LOCK AGAINST FIXED END WHEN NOT IN USE TO PREVENT INTERFERENCE DURING STANDARD GAUGING.)**

6. GUARD FACE GAGE CHECK



****THE DISTANCE BETWEEN GUARD LINES, MEASURED ACROSS THE TRACK AT RIGHT ANGLES TO THE GAUGE LINE.***

RANGE FROM 51 ¾ TO 55 5/16

TO CHECK GUARD FACE MEASUREMENT.

SIMPLY SET WIDE END (FIXED END) OF GAUGE ON FROG JUST BEHIND POINT AND SLIDE GAUGE FORWARD UNTIL CONTACT POINTS FLUSH AGAINST FROG FIELD SIDE FLANGWAY. SLEW GAUGE SLIGHTLY LEFT AND RIGHT TO VERIFY CONTACT POINTS ARE FLUSH TO RAIL. NEXT LOWER TRACK GAUGE (NARROW MOVING END) BETWEEN RAIL AND GUARD RAIL. NEXT, WITH ONE HAND GRAB HANDLE AND LIGHTLY PULL FIXED END OF GAUGE AGAINST FROG AND HOLD. NEXT, WITH OTHER HAND SLIDE THE BLACK KNOB BACK TO CONTACT GUARD RAIL. RELEASE, READ MEASUREMENT.

RRT-2008CP TRACK GAUGE AND ELEVATION LEVEL



RRT-2008CP TRACK GAUGE AND ELEVATION LEVEL, W/BAG

PARTS AND INFORMATION!

RRT-2008CP

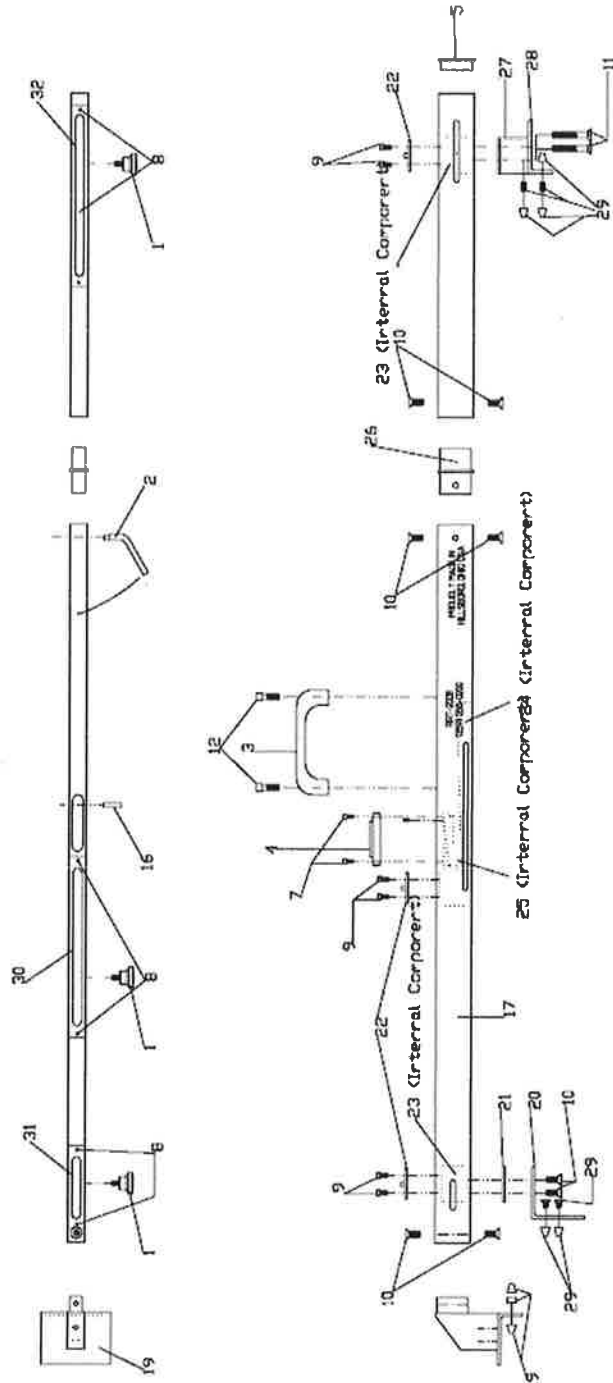
THE FOLLOWING PAGES INCLUDE AN ESTIMATE, DRAWING, AND ACCESSORIES, THESE INCLUDE ALL PARTS OF THE RRT-2008CP TRACK GAUGE.

ESTIMATE INCLUDES REQUIRED NUMBER OF PARTS THEIR PART NUMBER AND THEIR PRICES.

ALL PARTS ARE IN STOCK AND ALL ARE REPLACEABLE.

THIS UNIT DOES LEND ITSELF TO ONSITE REPLACEMENT PART INSTALLATION AS THE UNIT IS EASILY AND COMPLETELY CALIBRATABLE AFTER ANY NEEDED FILD OR SHOP REPAIR.

RRT-2008, "Track Gauge & Elevation Level"



2008	TRACK GAUGE & ELEVATION LEVEL
2008-1	KNOB FOR TRACK GAUGE & ELEVATION LEVEL
2008-2	CAM PIN AND CABLE ASSEMBLY FOR TRACK GAUGE & ELEVATION LEVEL
2008-3	HANDLE FOR TRACK GAUGE & ELEVATION LEVEL
2008-4	LEVEL FOR TRACK GAUGE & ELEVATION LEVEL
2008-5	END PLUG FOR TRACK GAUGE & ELEVATION LEVEL
2008-6	3/16 HEX KEY FOR TRACK GAUGE & ELEVATION LEVEL
2008-7	6-32 X 5/8 SHCS FOR TRACK GAUGE & ELEVATION LEVEL
2008-8	10-32 X 1/4 BHCS FOR TRACK GAUGE & ELEVATION LEVEL
2008-9	10-32 X 3/8 BHCS FOR TRACK GAUGE & ELEVATION LEVEL
2008-10	5/16 - 18 X 5/8 FHCS FOR TRACK GAUGE & ELEVATION LEVEL
2008-11	5/16 - 18 X 2 1/2 FHCS FOR TRACK GAUGE & ELEVATION LEVEL
2008-12	5/16 - 18 X 3/4 SHCS FOR TRACK GAUGE & ELEVATION LEVEL
2008-15	6 - 32 X 3/16 SET SCREW FOR TRACK GAUGE & ELEVATION LEVEL
2008-16	DOWEL PIN FOR TRACK GAUGE & ELEVATION LEVEL
2008-17	MAIN BEAM FOR TRACK GAUGE & ELEVATION LEVEL
2008-18	SHORT BEAM FOR TRACK GAUGE & ELEVATION LEVEL
2008-19	FIXED END FOR TRACK GAUGE & ELEVATION LEVEL
2008-20	FLANGWAY ANGLE FOR TRACK GAUGE & ELEVATION LEVEL
2008-21	SPACER FOR TRACK GAUGE & ELEVATION LEVEL
2008-22	SLOTTED INDICATOR FOR TRACK GAUGE & ELEVATION LEVEL
2008-23	SLIDER BLOCK FOR TRACK GAUGE & ELEVATION LEVEL
2008-24	WEDGE BLOCK FOR TRACK GAUGE & ELEVATION LEVEL
2008-25	LEVEL MOUNT BLOCK FOR TRACK GAUGE & ELEVATION LEVEL
2008-26	UNION FOR TRACK GAUGE & ELEVATION LEVEL
2008-27	SPACER BLOCK FOR TRACK GAUGE & ELEVATION LEVEL
2008-28	GAUGE ANGLE FOR TRACK GAUGE & ELEVATION LEVEL
2008-29	CONTACT POINT KIT FOR TRACK GAUGE & ELEVATION LEVEL
2008-30	ELEVATION SCALE AND COVER FOR TRACK GAUGE & ELEVATION LEVEL
2008-31	FLANGWAY SCALE AND COVER FOR TRACK GAUGE & ELEVATION LEVEL
2008-32	GAUGE SCALE AND COVER FOR TRACK GAUGE & ELEVATION LEVEL
2008-33	PLASTIC SPACER BLOCK FOR TRACK GAUGE & ELEVATION LEVEL
2009	ONE PIECE TRACK GAUGE & ELEVATION LEVEL
2009-1	MAIN BEAM FOR ONE PIECE TRACK GAUGE & ELEVATION LEVEL

PARTS LIST: SEE DRAWING

2008 ACCESSORIES

RRT-2008VB NYLON CARRY BAG
STORE, PROTECT AND TRANSPORT YOUR RRT-2008



RRT-2008HC HARD CARRY BOX
STORE, SHIP AND PROTECT YOUR RRT-2008



RRT-2008
TRACK GAUGE AND ELEVATION LEVEL



RRT-2008
TRACK GAUGE AND ELEVATION LEVEL



**RRT-2008CP
TRACK GAUGE AND ELEVATION LEVEL
RECALIBRATION
YOUR NEW RRT-2008 COMES PRE CALIBRATED AND IS
IDENTIFIED WITH IT'S OWN SERIAL NUMBER.**

THE GAUGE LENDS ITSELF TO BEING EASILY RECALIBRATED USING ONE SIMPLE TOOL, THE GAUGE IS FULLY RE-CALIBRATABLE.

SHOULD THE GAUGE BE REQUIRED TO BE RE-CALIBRATED FOR YOUR QUALITY PROGRAM OR JUST FROM WEAR AND OR AGE IT CAN BE DONE FOLLOWING THE BELOW STEPS.

IT WILL BE UNDERSTOOD IF THE GAUGE IS RECALIBRATED IT IS TO BE PERFORMED ON A CALIBRATED FIXTURE OR AN ACCEPTABLE FIXTURE IN YOUR QUALITY SYSTEM.

FIRST SLIT TAPE ALONG LENSES BETWEEN THE LENSE AND THE MAIN FRAME. NEXT USING A 1/8 SAE ALLEN WRENCH LOOSEN SET SCREWS ON EACH END OF LENSE AND REMOVE LENSE.

NEXT LOCATE THE TWO SET SCREWS ALONG EACH SIDE OF THE POINTERS. NOTICE THE POINTERS ARE SLOTTED FOR MOVEMENT.

NEXT POSITION GAUGE IN FIXTURE, CHECK CALIBRATION TO FIXTURE, IF ADJUSTMENT IS NECESSARY LOOSEN SET SCREWS ON EACH SIDE OF POINTER AND SLIDE TO SPECIFIC CALIBRATION MEASUREMENT. TIGHTEN SET SCREWS AND CHECK AGAIN.

REASSEMBLE AND IT IS SUGGESTED REPLACING TAPE TO PREVENT DIRT FROM GETTING UNDER LENSE.

