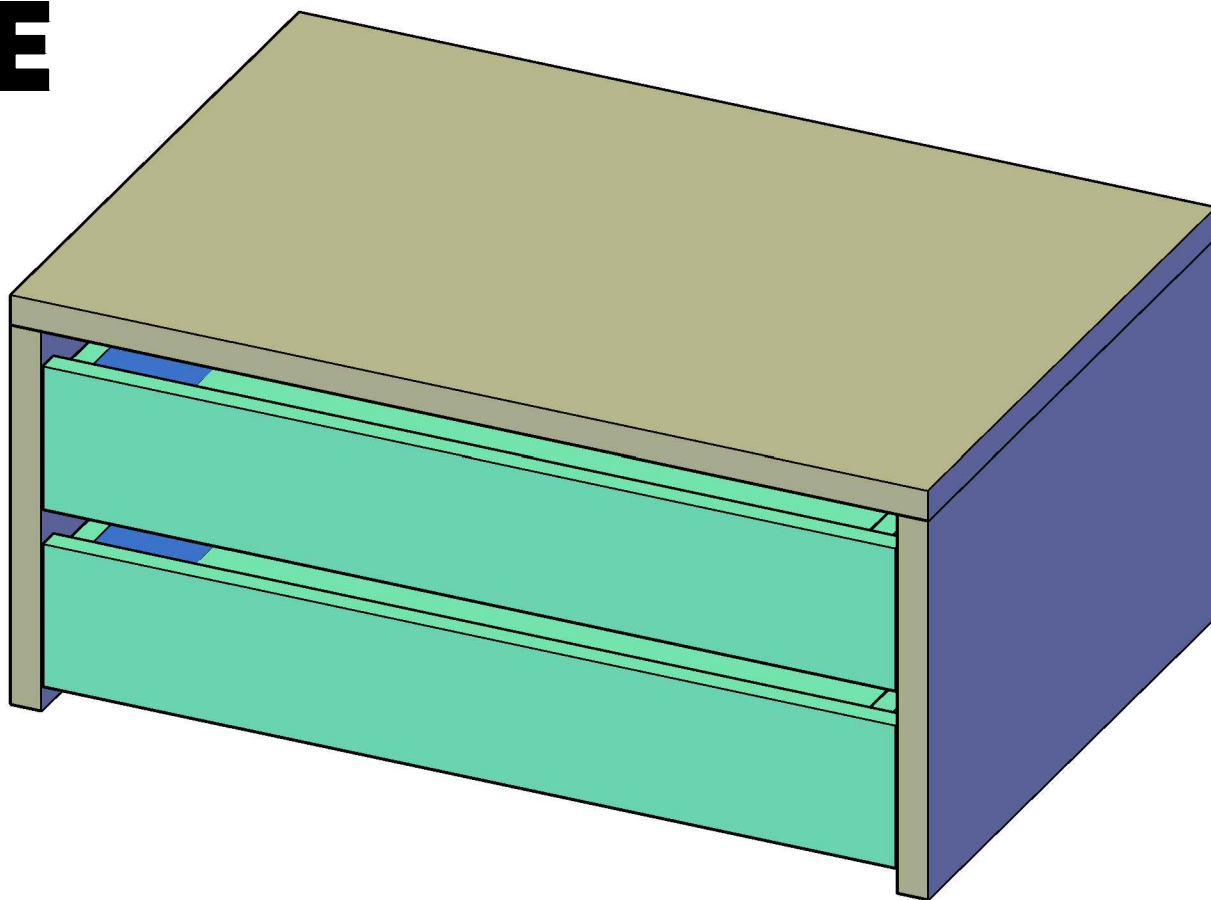


**EASY  
SPACE**

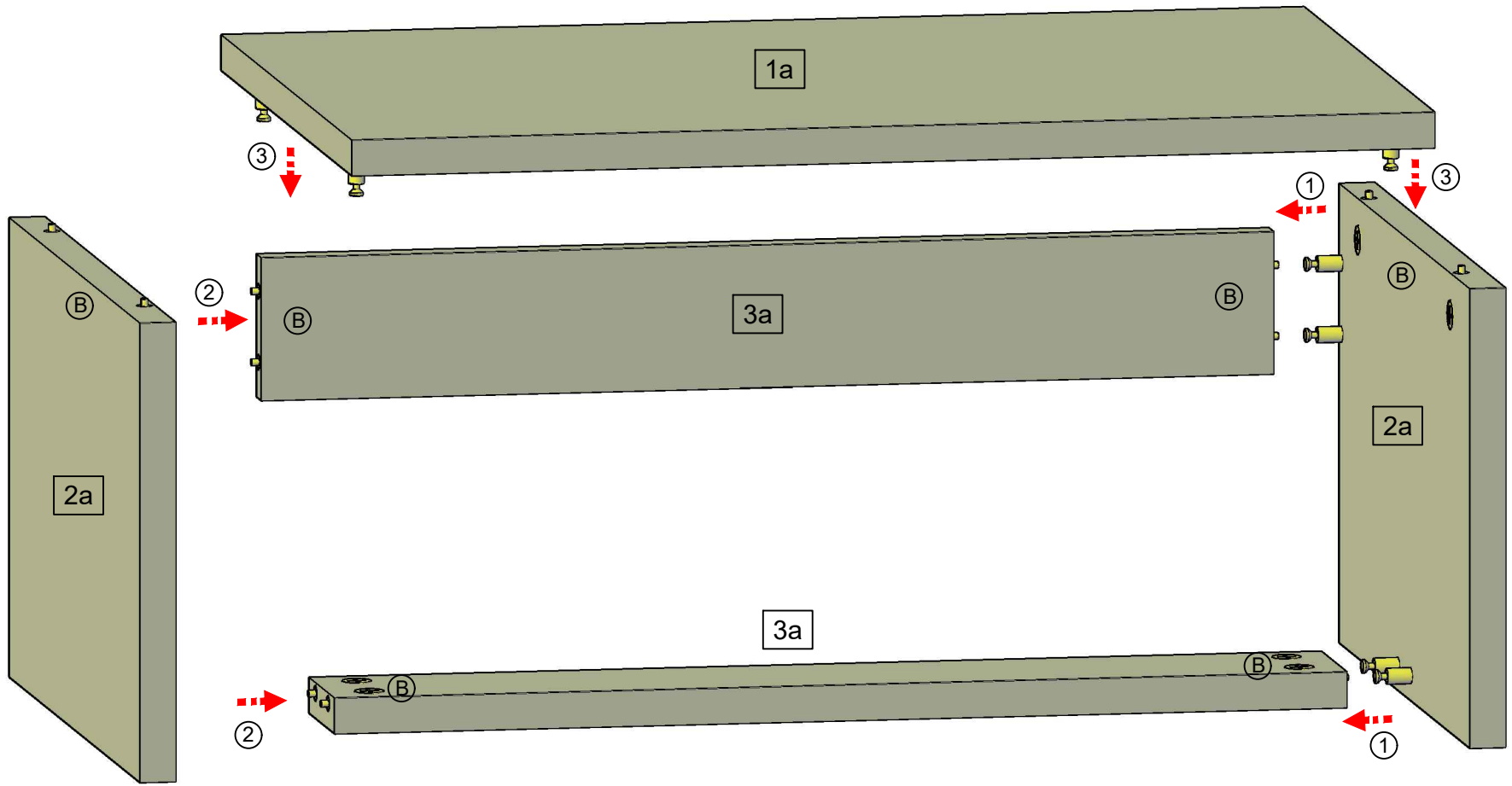
**2 Layer  
Double Drawer**

Dimension:  
766 x 516 x 348 mm



# Assembly Guide

Step 1



## Parts List:

1a. Top Panel Board x 1pc.

2a. Left & Right Panel Board x 2pcs.

3a. Base Panel Board x 2pcs.

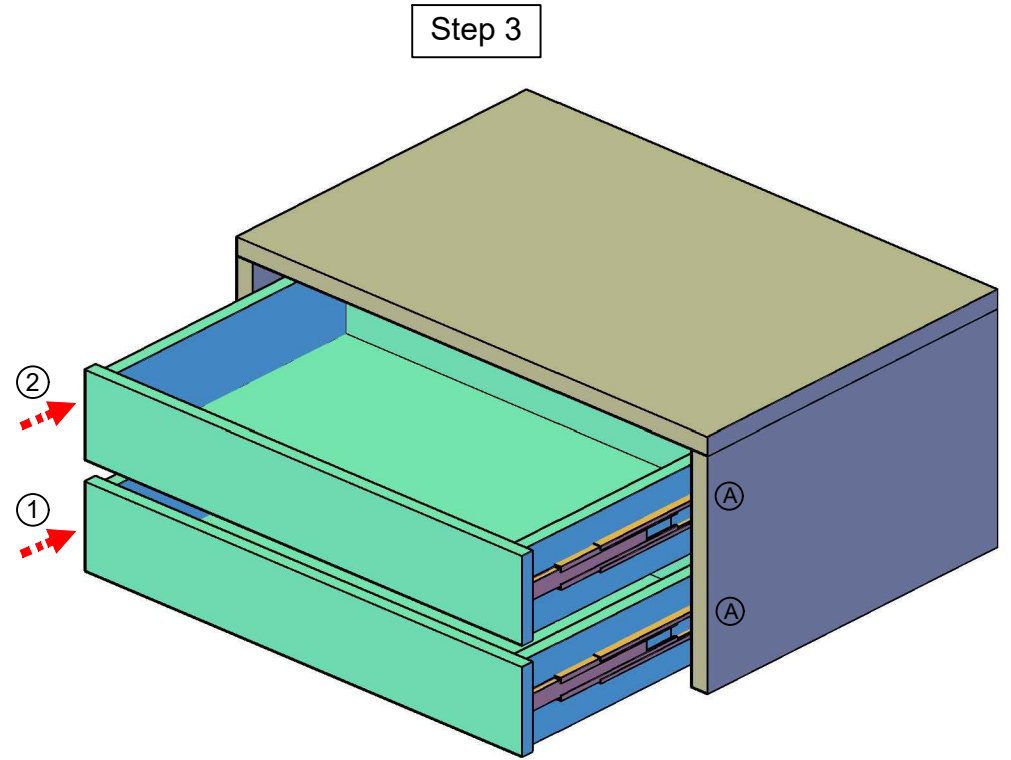
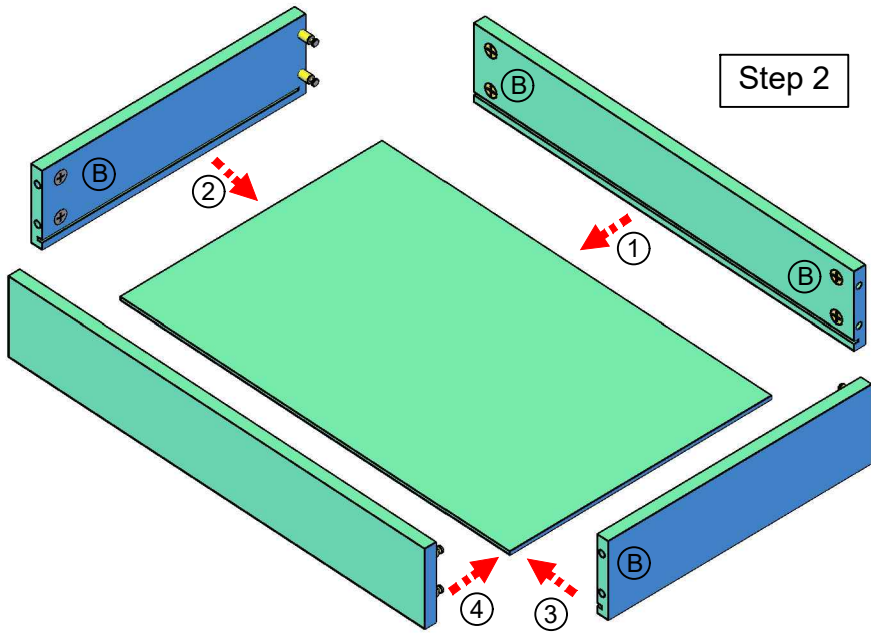
1b. Drawer Left & Right Panel Board x 4pcs.

2b. Drawer Front & Back Panel Board x 4pcs.

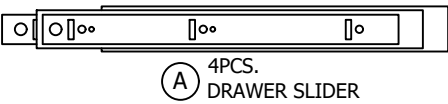
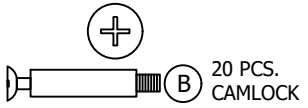
3b. Drawer Bottom Panel Board x 2pcs.

# Assembly Guide

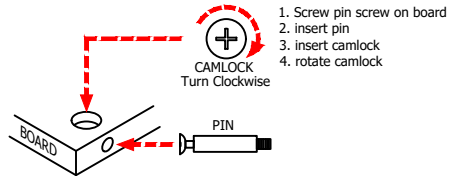
## Drawer Assembly Guide



### ACCESSORIES:



### HOW TO USE CAMLOCK & PIN:



### TOOLS:

