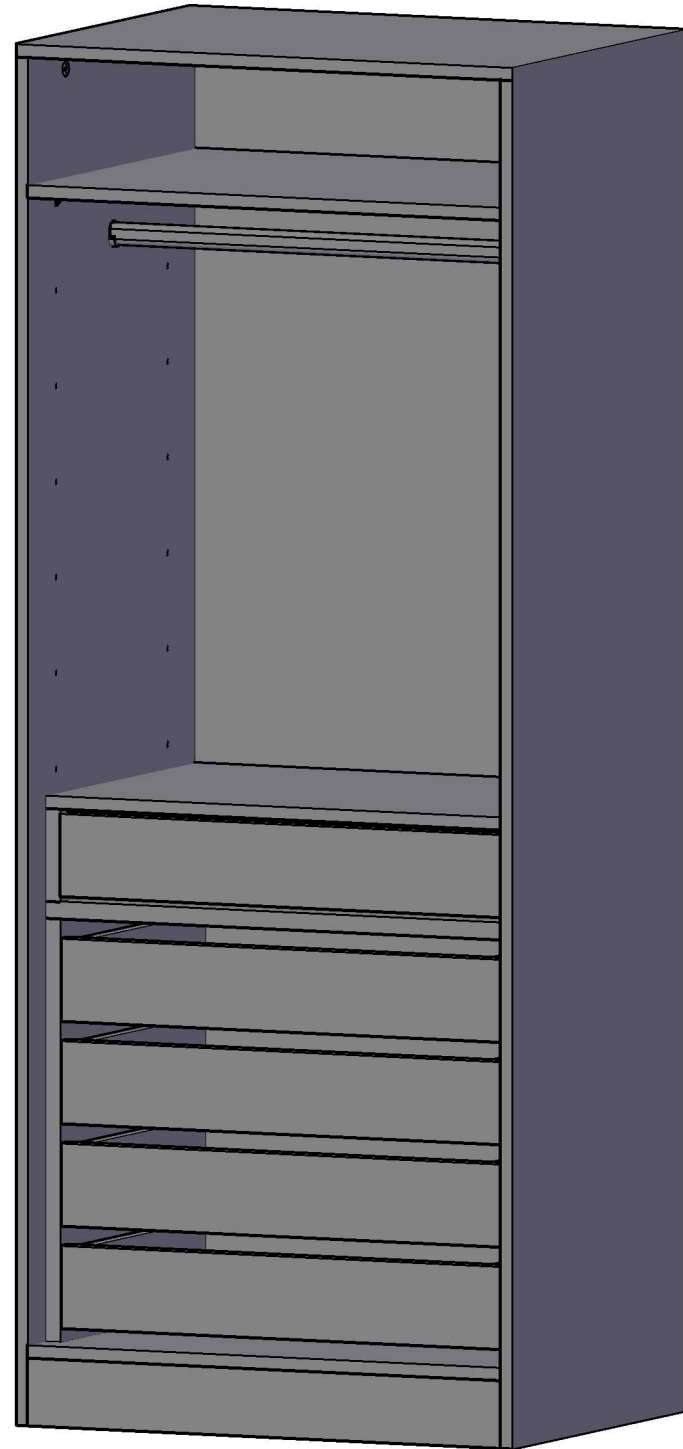


EASY SPACE

ES003

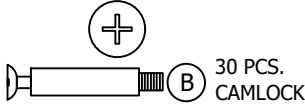
Dimension:
802 x 600 x 2026 mm



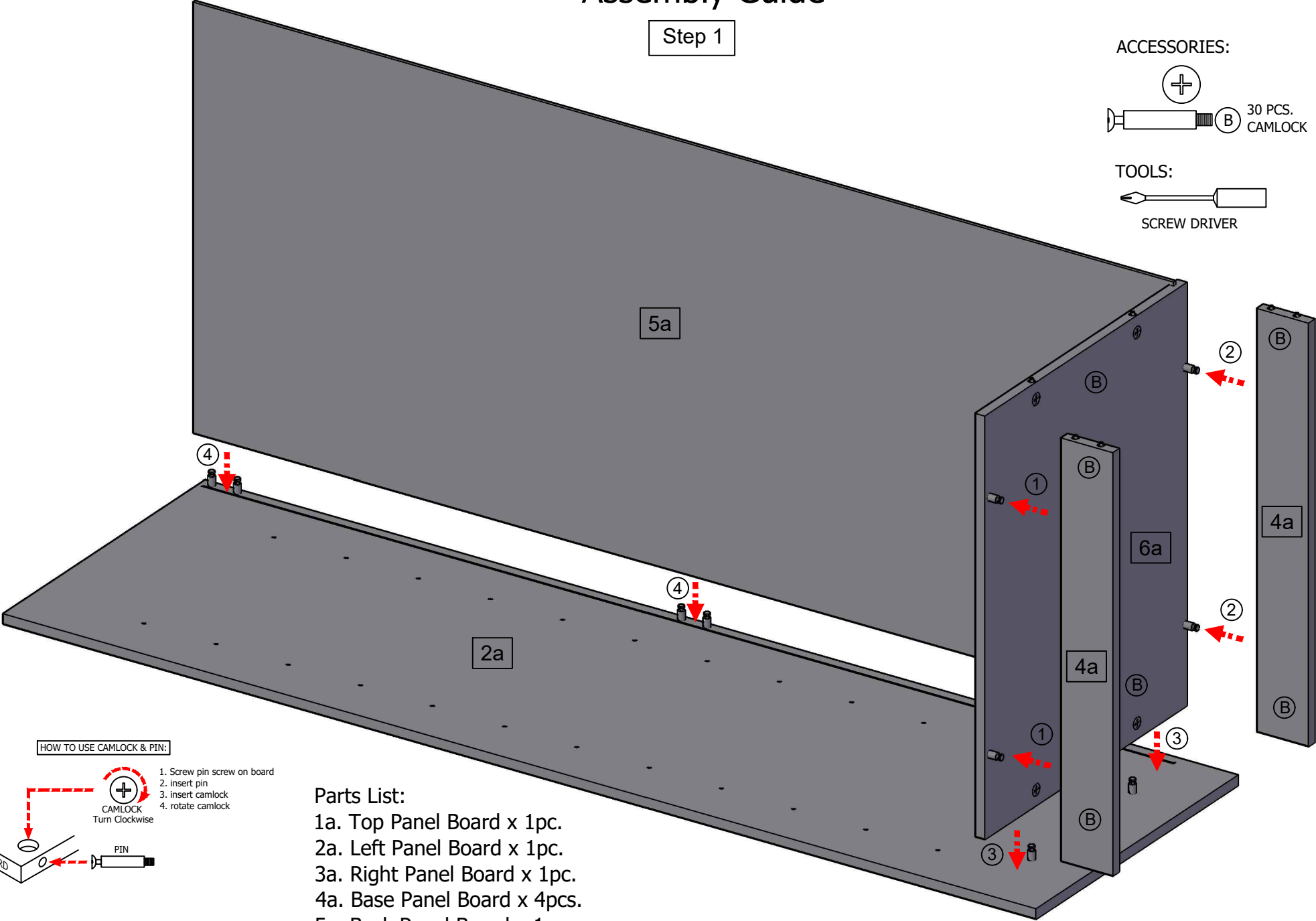
Assembly Guide

Step 1

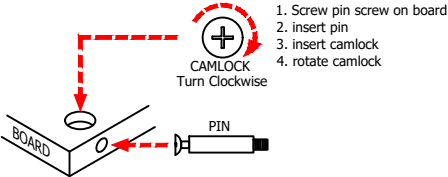
ACCESSORIES:



TOOLS:



HOW TO USE CAMLOCK & PIN:



- Parts List:
- 1a. Top Panel Board x 1pc.
 - 2a. Left Panel Board x 1pc.
 - 3a. Right Panel Board x 1pc.
 - 4a. Base Panel Board x 4pcs.
 - 5a. Back Panel Board x 1pc.
 - 6a. Bottom Panel Board x 1pc.

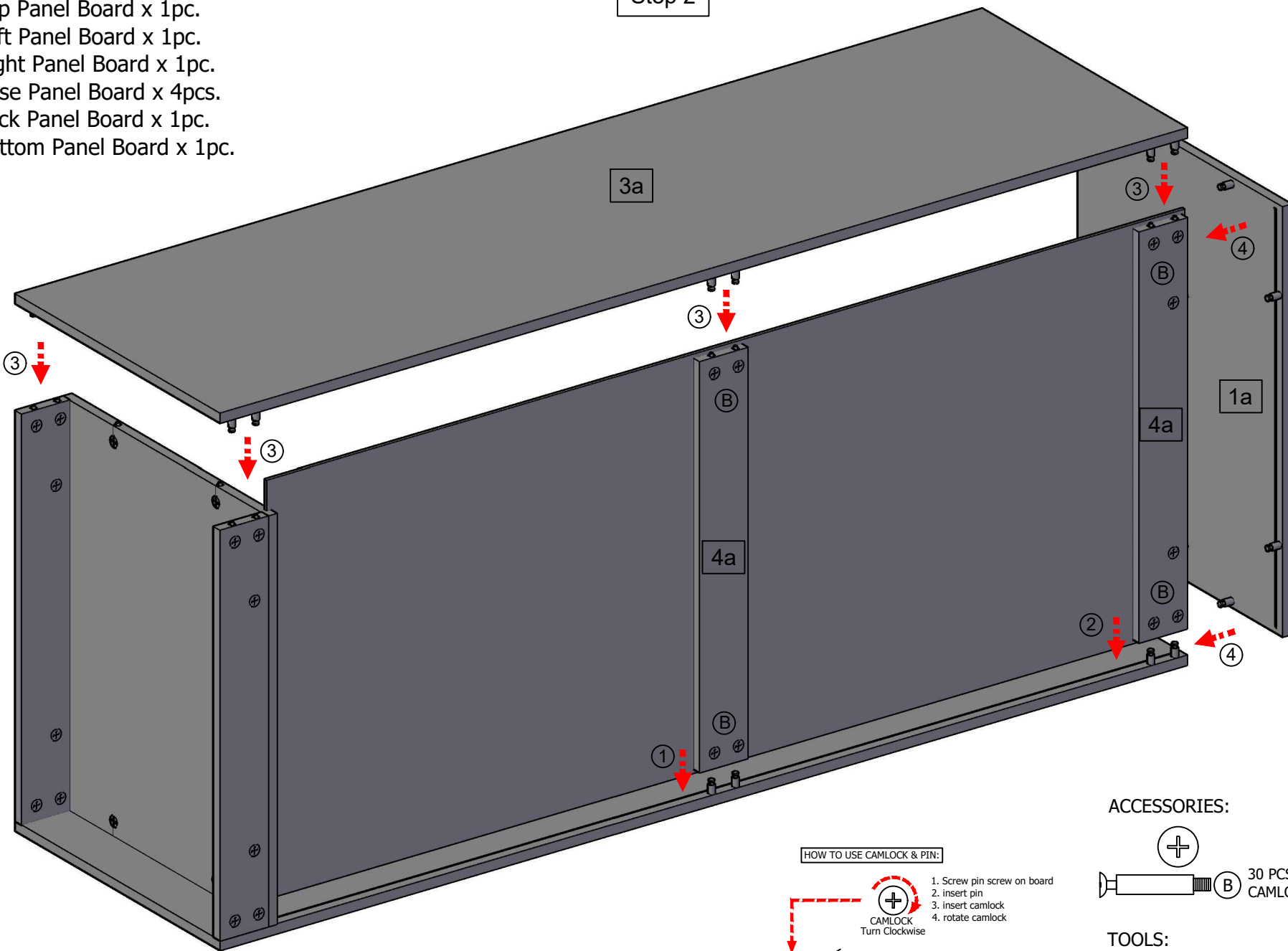
Assembly Guide

ES003 - 2

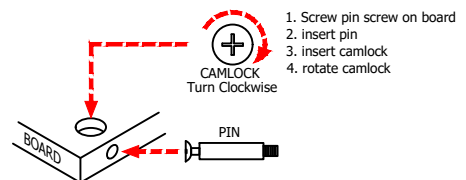
Parts List:

- 1a. Top Panel Board x 1pc.
- 2a. Left Panel Board x 1pc.
- 3a. Right Panel Board x 1pc.
- 4a. Base Panel Board x 4pcs.
- 5a. Back Panel Board x 1pc.
- 6a. Bottom Panel Board x 1pc.

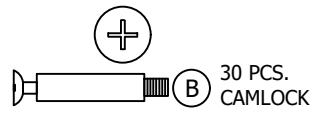
Step 2



HOW TO USE CAMLOCK & PIN:



ACCESSORIES:

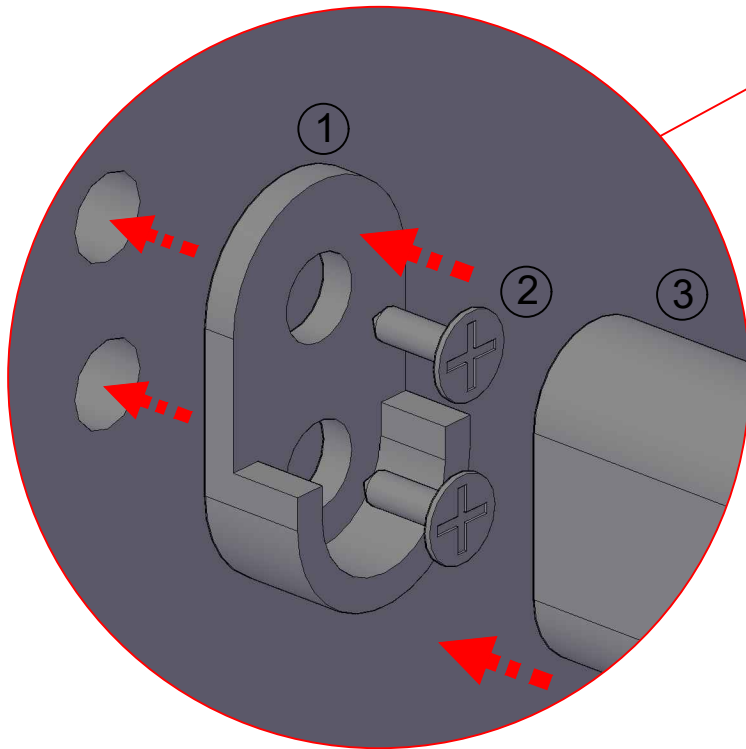


TOOLS:

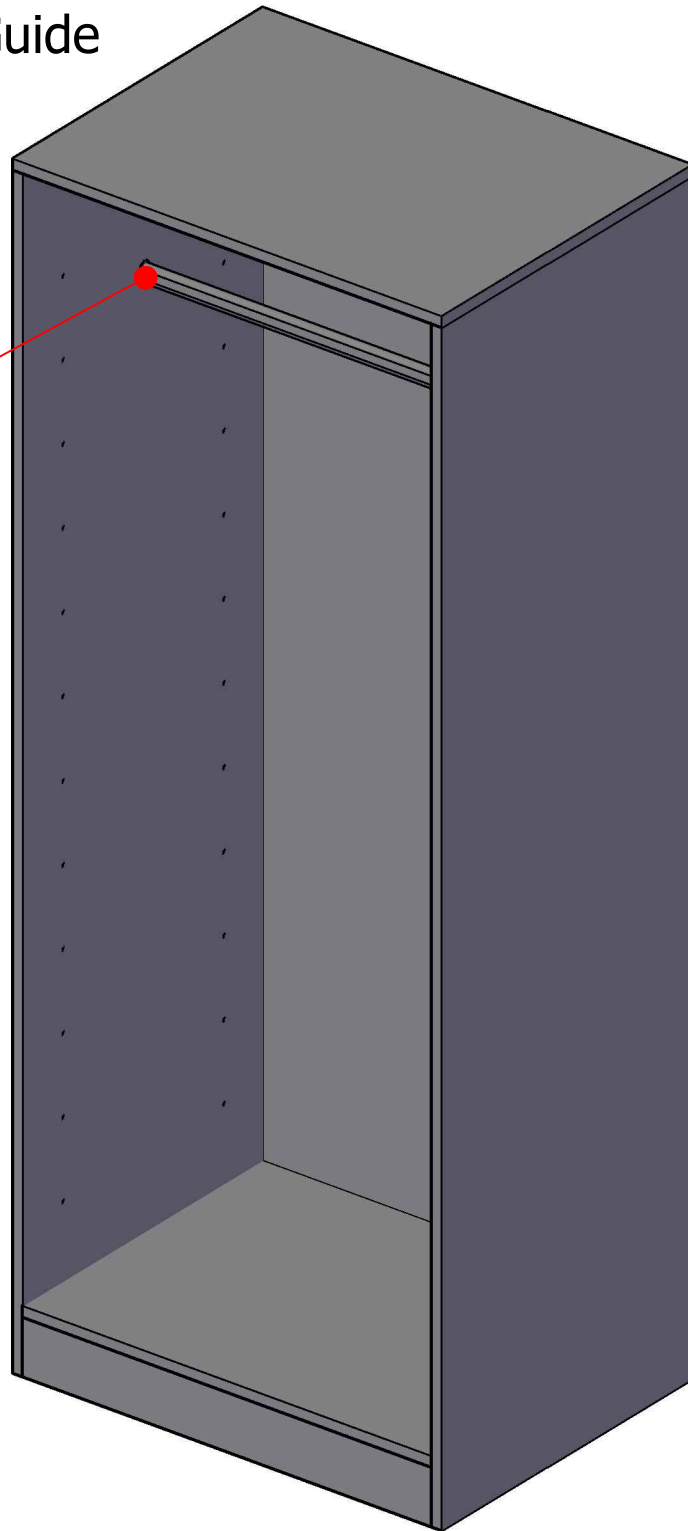


Assembly Guide

Step 3

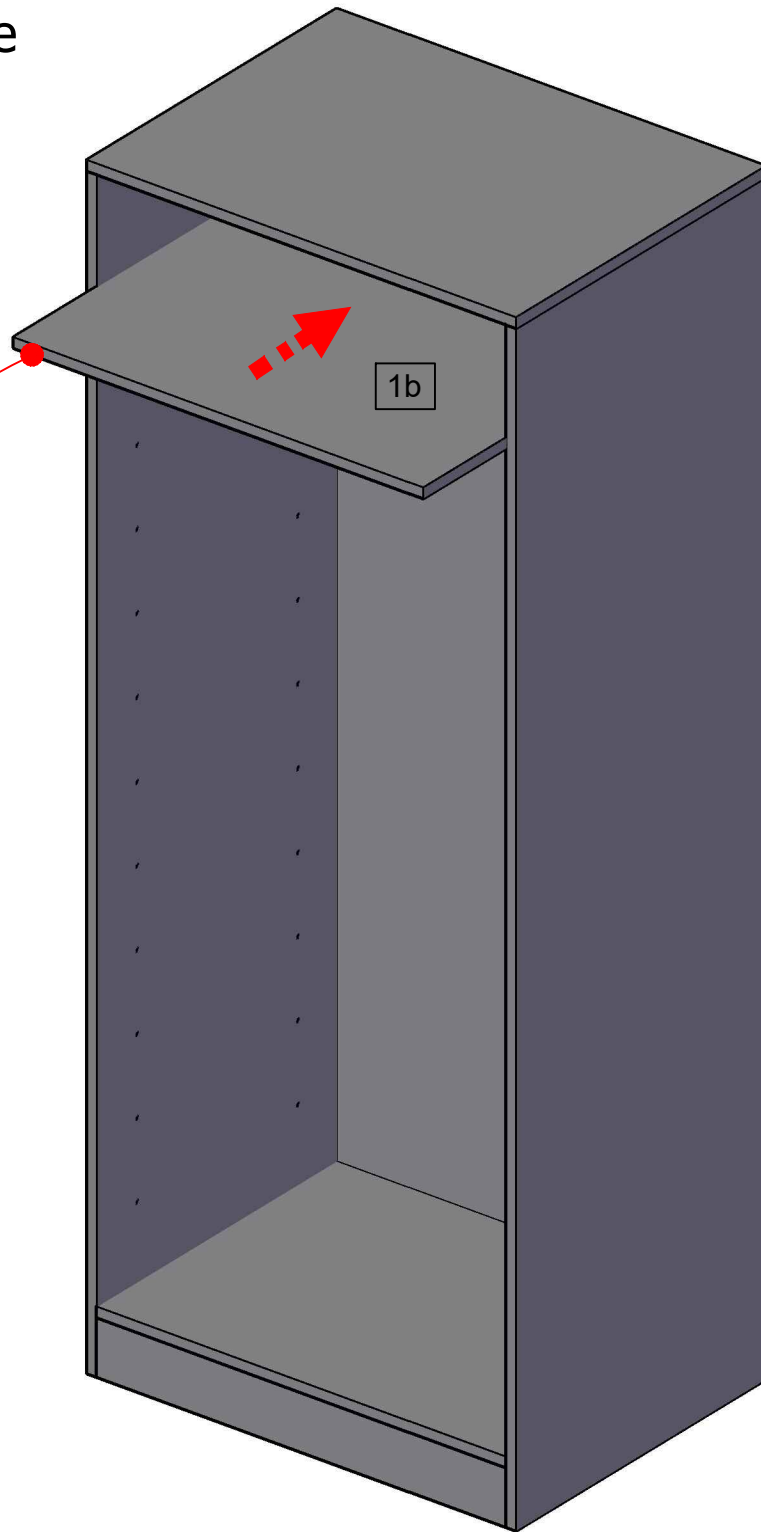
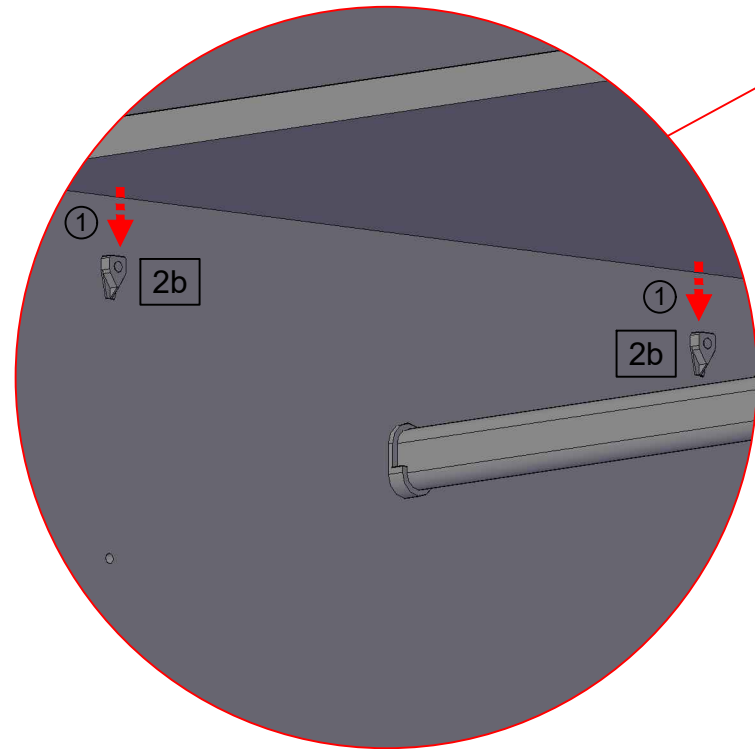


- 1. FLANGE
- 2. SCREW
- 3. OVAL ROD



Assembly Guide

Step 4

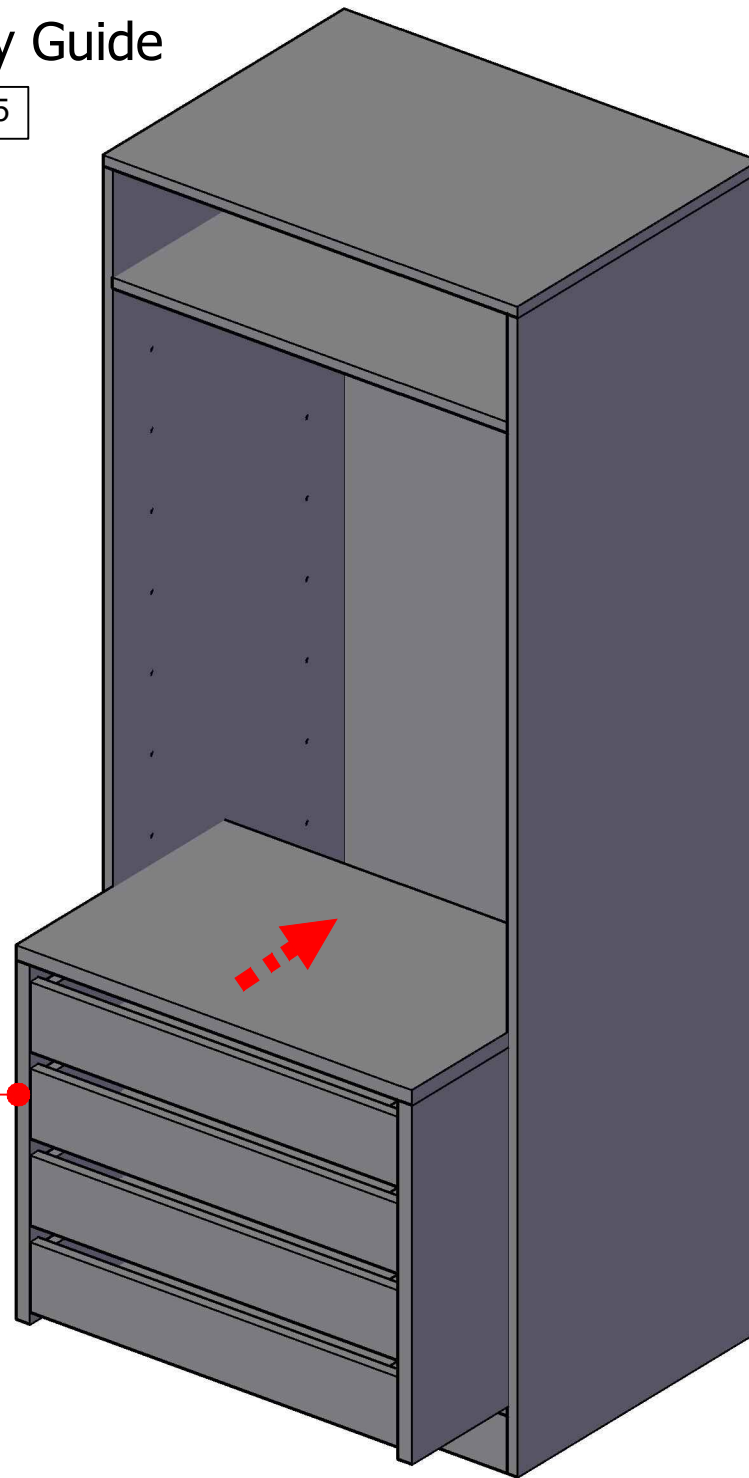


- Parts List:
1b. Adjustable Shelf x 1pc.
2b. Shelf pin 4pcs.

Assembly Guide

Step 5

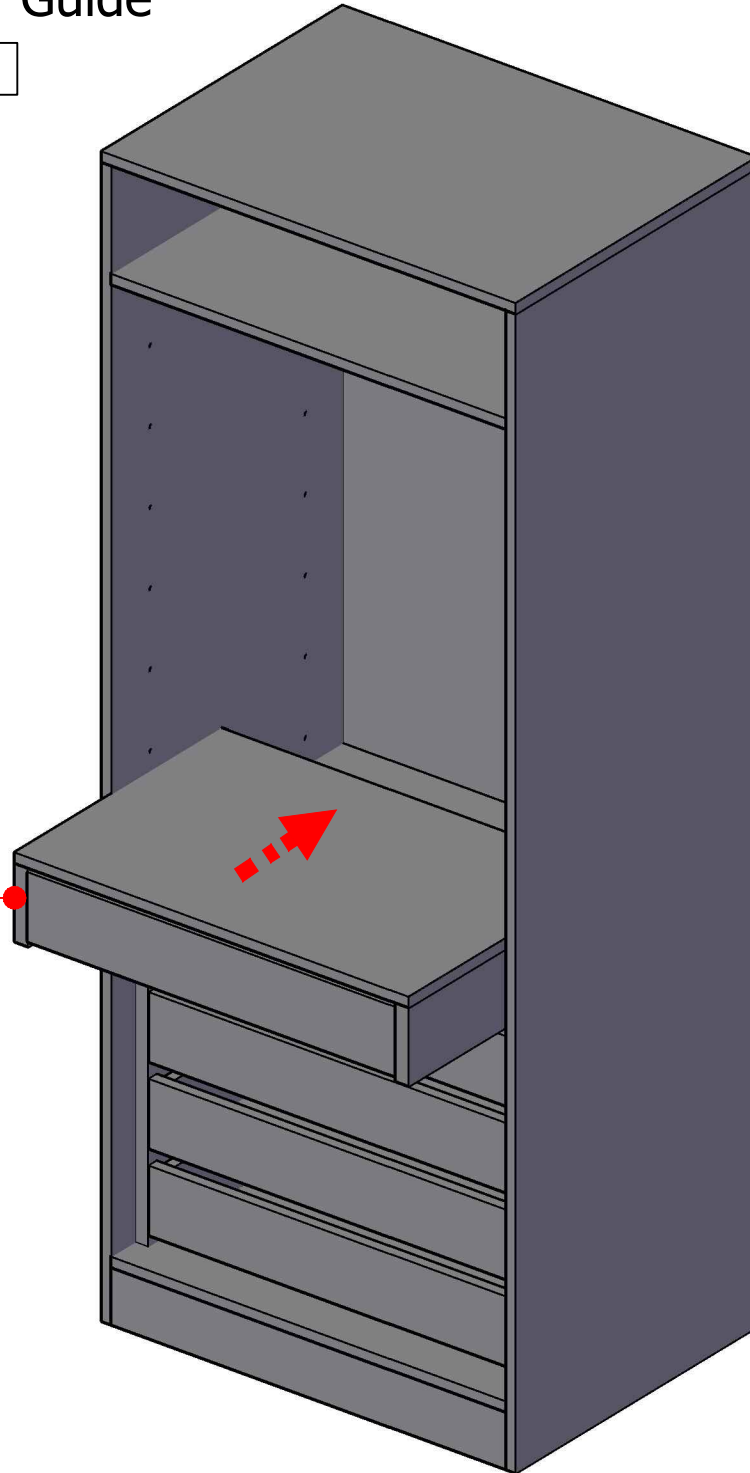
INSERT
DOUBLE DRAWER

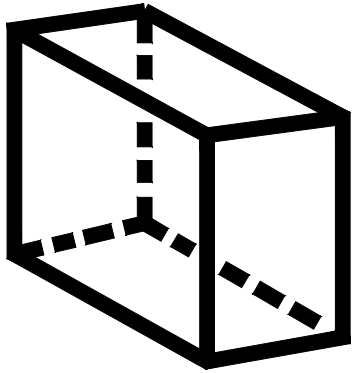


Assembly Guide

Step 6

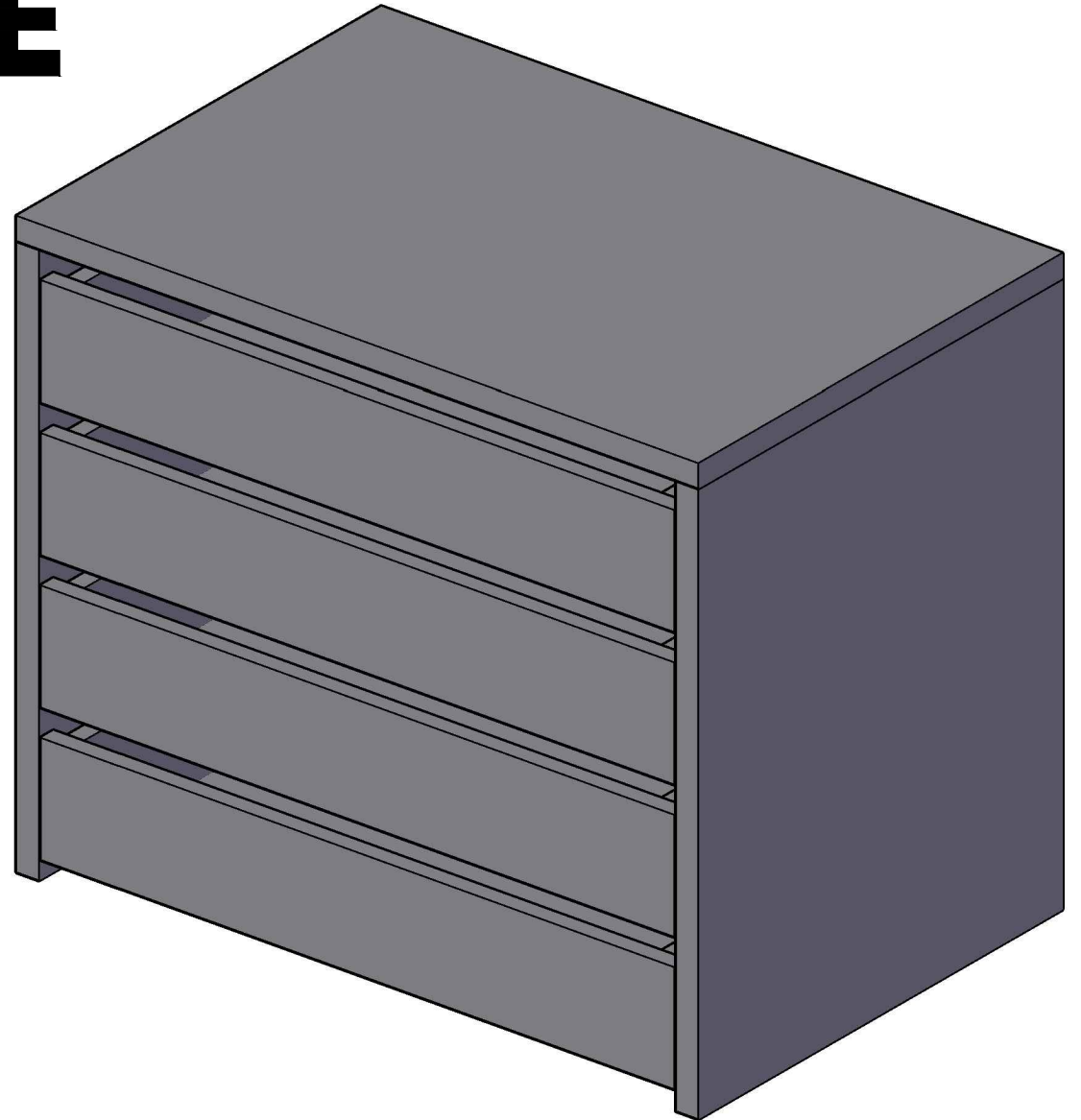
INSERT
JEWELRY DRAWER





**EASY
SPACE**

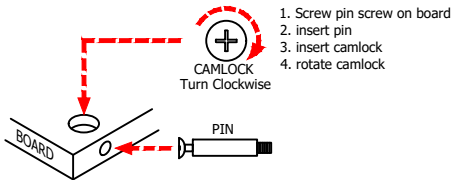
**ES003
4Layer
Double Drawer**



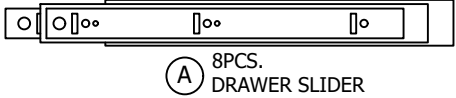
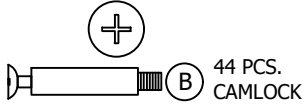
Assembly Guide

Step 1

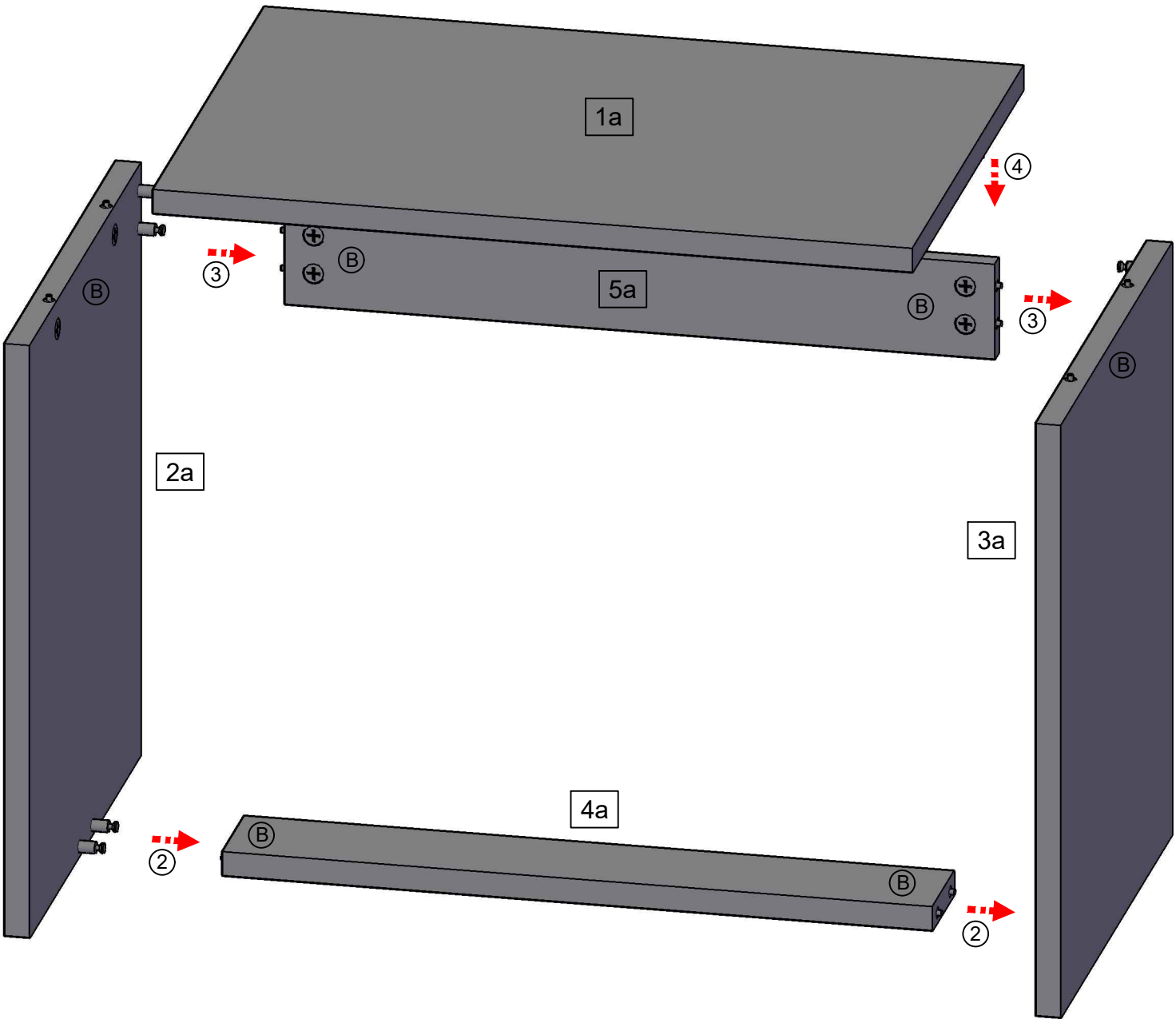
HOW TO USE CAMLOCK & PIN:



ACCESSORIES:



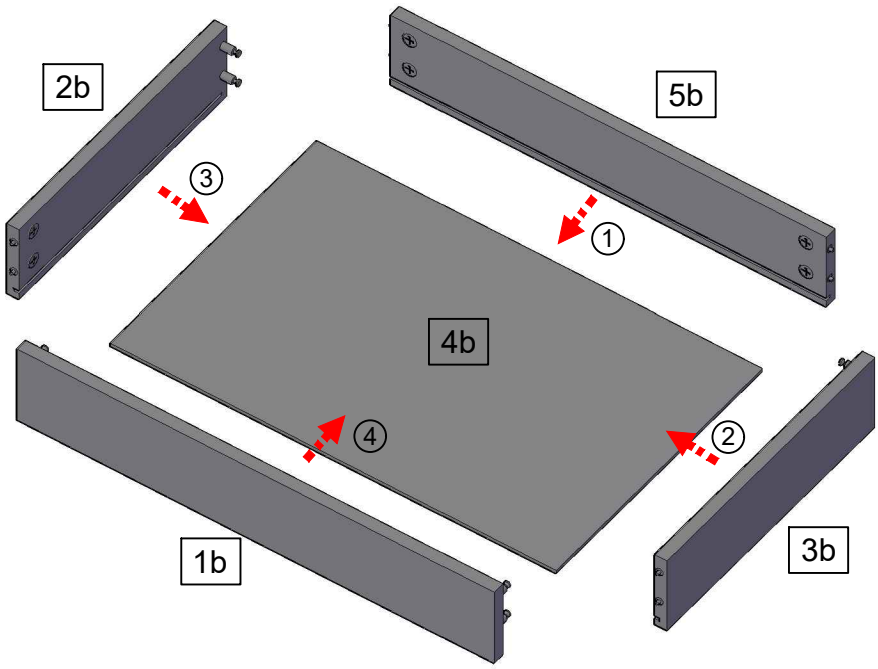
TOOLS:



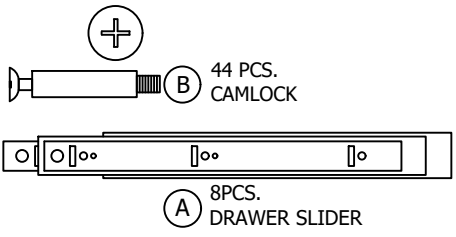
- Parts List:
- 1a. Top Panel Board x 1pc.
 - 2a. Left Panel Board x 1pc.
 - 3a. Right Panel Board x 1pc.
 - 4a. Base Panel Board x 1pc.
 - 5a. Back Panel Board x 1pc.

Assembly Guide

Step 2



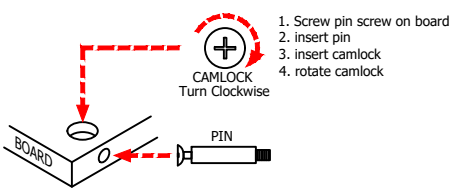
ACCESSORIES:



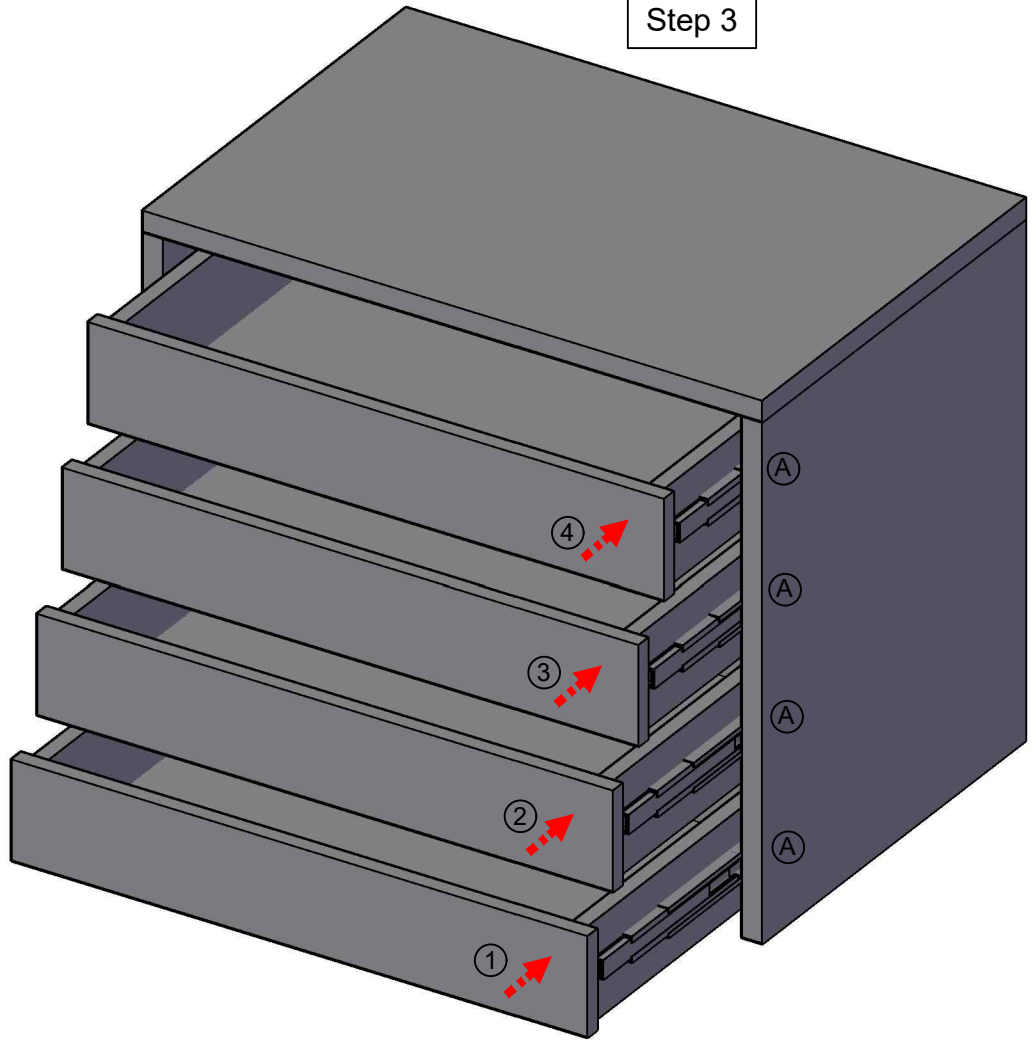
TOOLS:



HOW TO USE CAMLOCK & PIN:

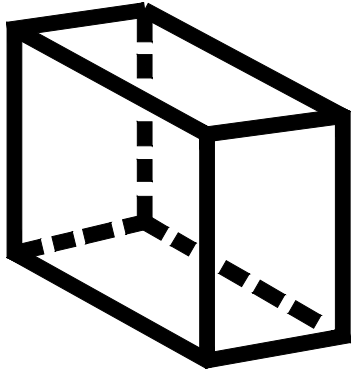


Step 3



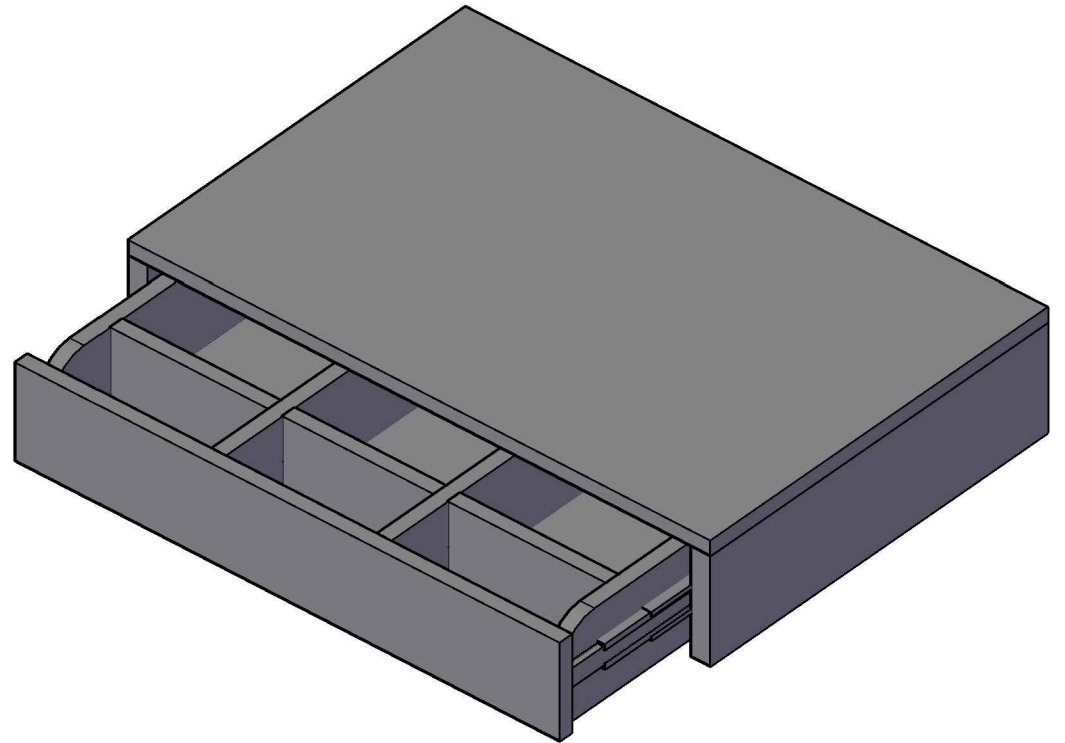
Parts List:

- 1b. Drawer Front Panel Board x 4pcs.
- 2b. Drawer Left Panel Board x 4pcs.
- 3b. Drawer Right Panel Board x 4pcs.
- 4b. Drawer Bottom Panel Board x 4pcs.
- 5b. Drawer Back Panel Board x 4pcs.



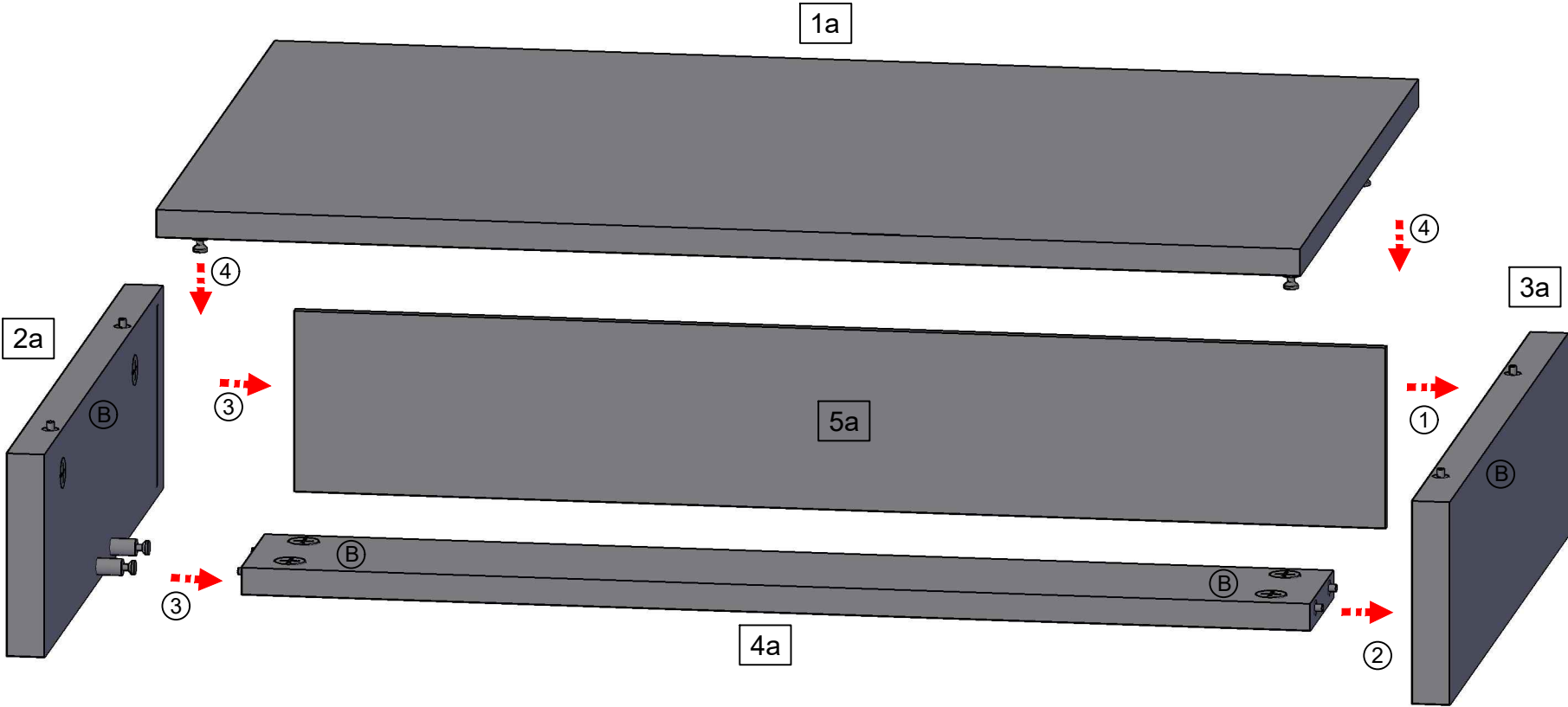
**EASY
SPACE**

**ES003
Jewelry
Drawer**



Assembly Guide

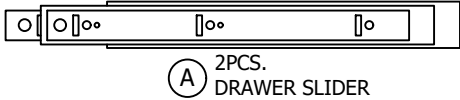
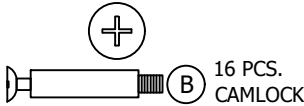
Step 1



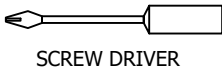
Parts List:

- 1a. Top Panel Board x 1pc.
- 2a. Left Panel Board x 1pc.
- 3a. Right Panel Board x 1pc.
- 4a. Base Panel Board x 1pc.
- 5a. Back Panel Board x 1pc.

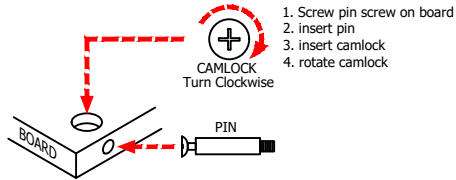
ACCESSORIES:



TOOLS:

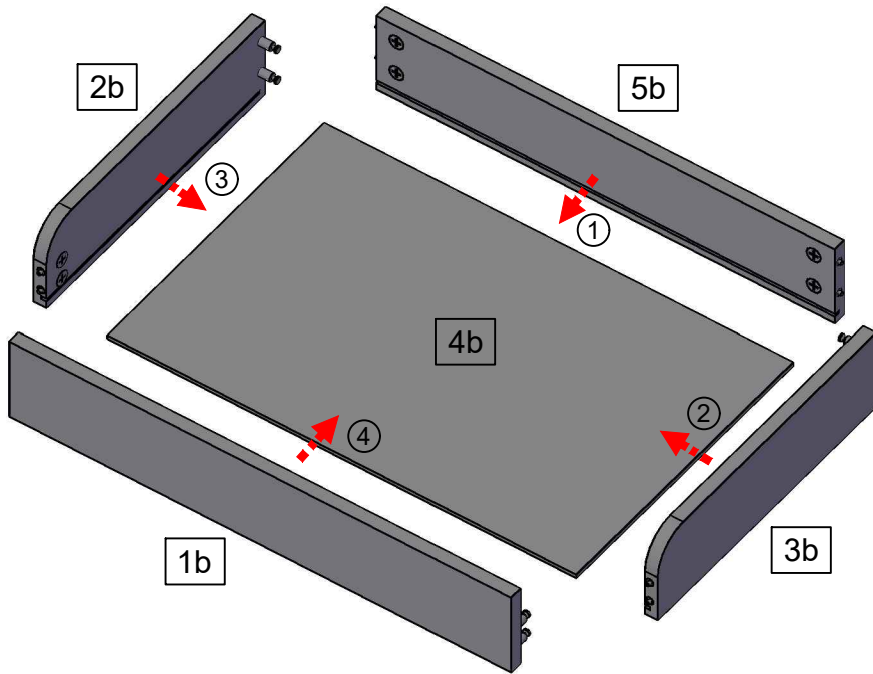


HOW TO USE CAMLOCK & PIN:

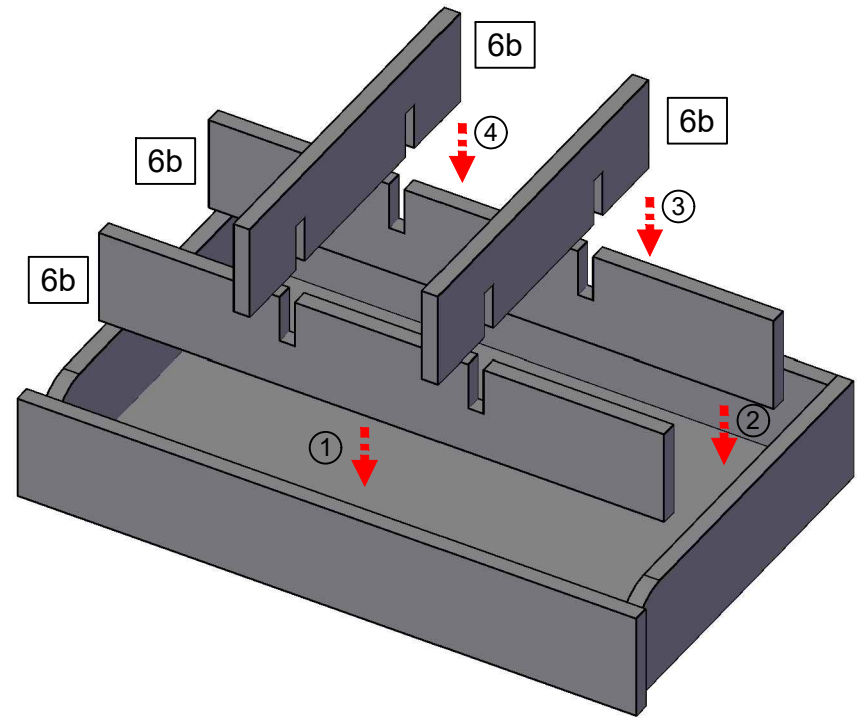


Assembly Guide

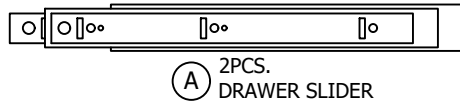
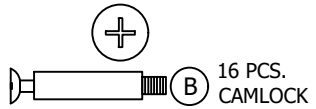
Step 2



Step 3



ACCESSORIES:

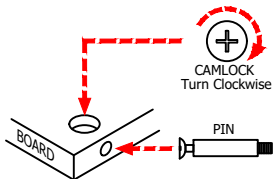


TOOLS:



HOW TO USE CAMLOCK & PIN:

1. Screw pin screw on board
2. insert pin
3. insert camlock
4. rotate camlock



Parts List:

- 1b. Drawer Front Panel Board x 1pc.
- 2b. Drawer Left Panel Board x 1pc.
- 3b. Drawer Right Panel Board x 1pc.
- 4b. Drawer Base Panel Board x 1pc.
- 5b. Drawer Back Panel Board x 1pc.
- 6b. Drawer Middle Panel Board x 4pcs.

Step 4

