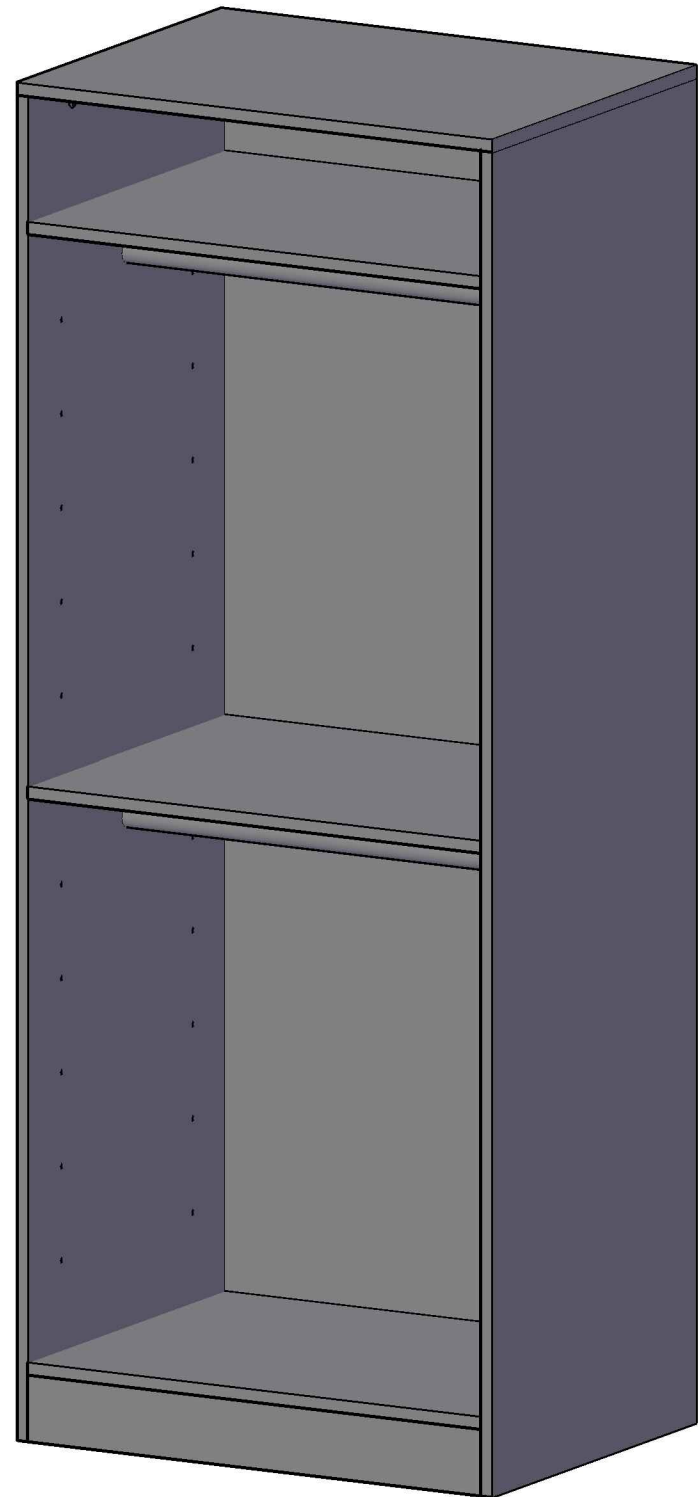


**EASY
SPACE**

ES002

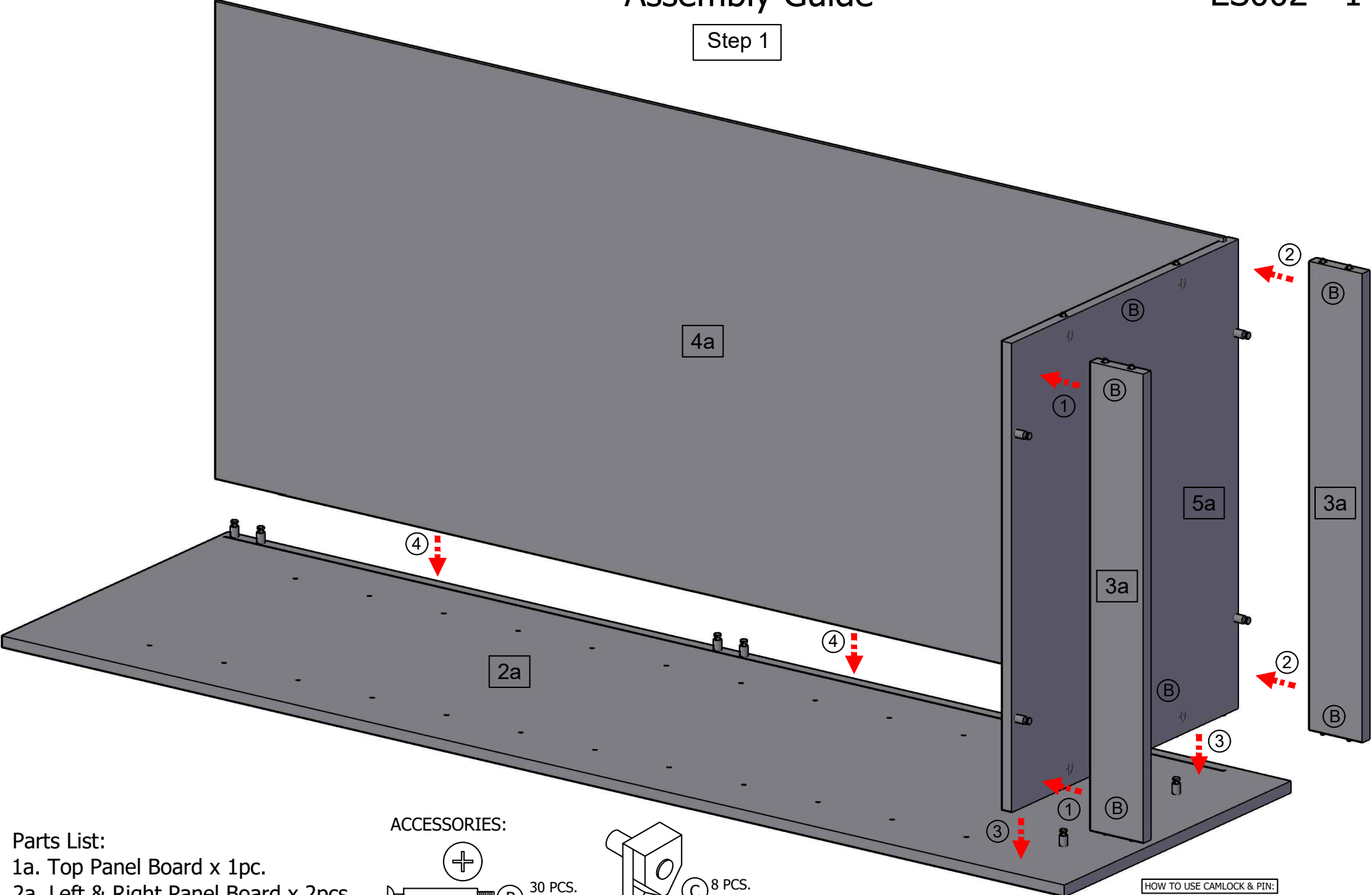
Dimension:
802 x 600 x 2026 mm



Assembly Guide

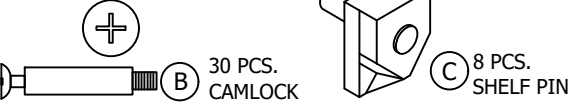
ES002 - 1

Step 1



- Parts List:
- 1a. Top Panel Board x 1pc.
 - 2a. Left & Right Panel Board x 2pcs.
 - 3a. Base Panel Board x 4pcs.
 - 4a. Back Panel Board x 1pc.
 - 5a. Bottom Panel Board x 1pc.

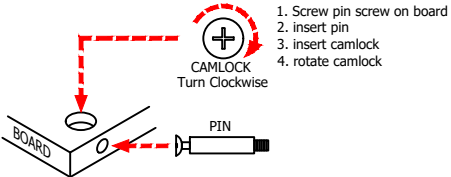
ACCESSORIES:



TOOLS:



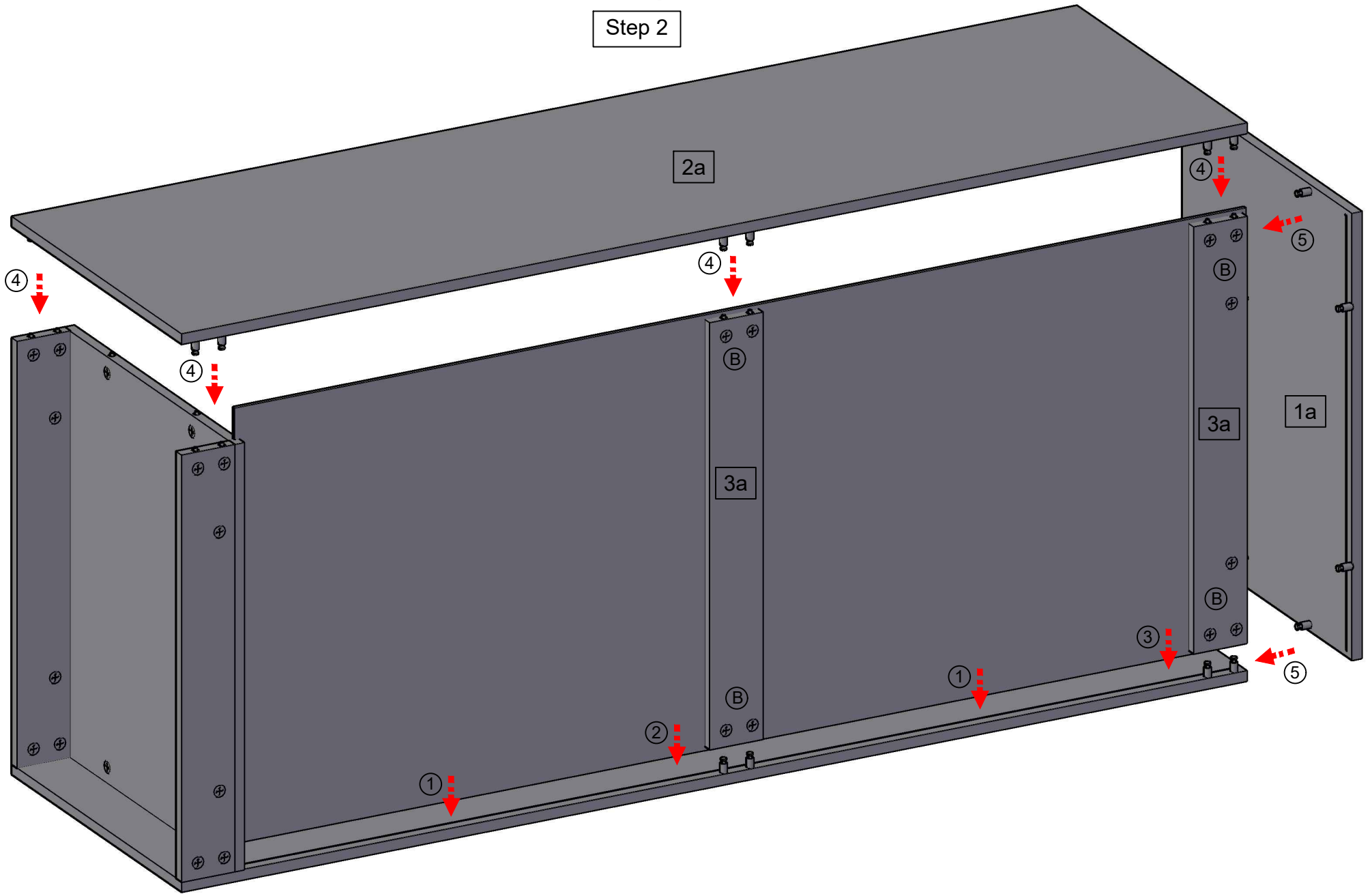
HOW TO USE CAMLOCK & PIN:



Assembly Guide

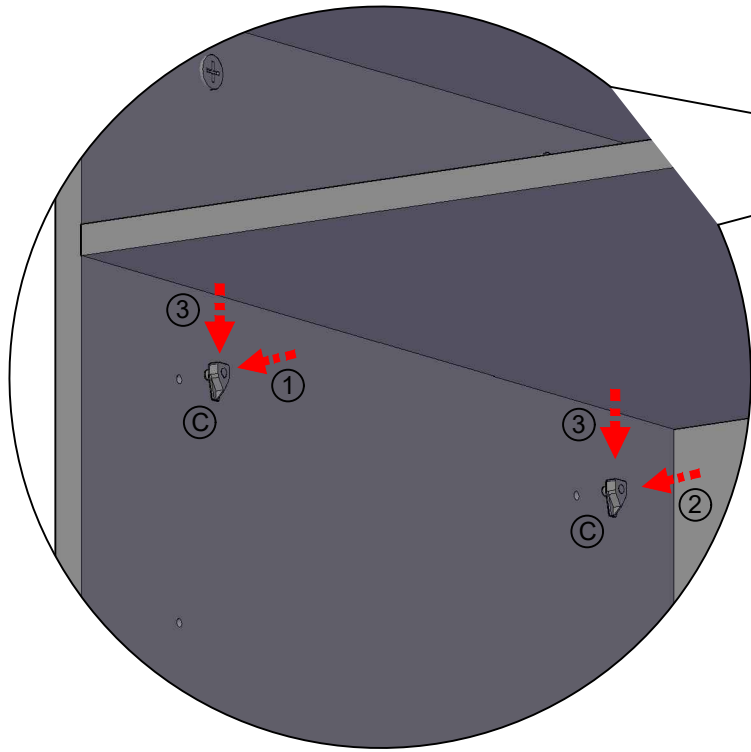
ES002 - 2

Step 2



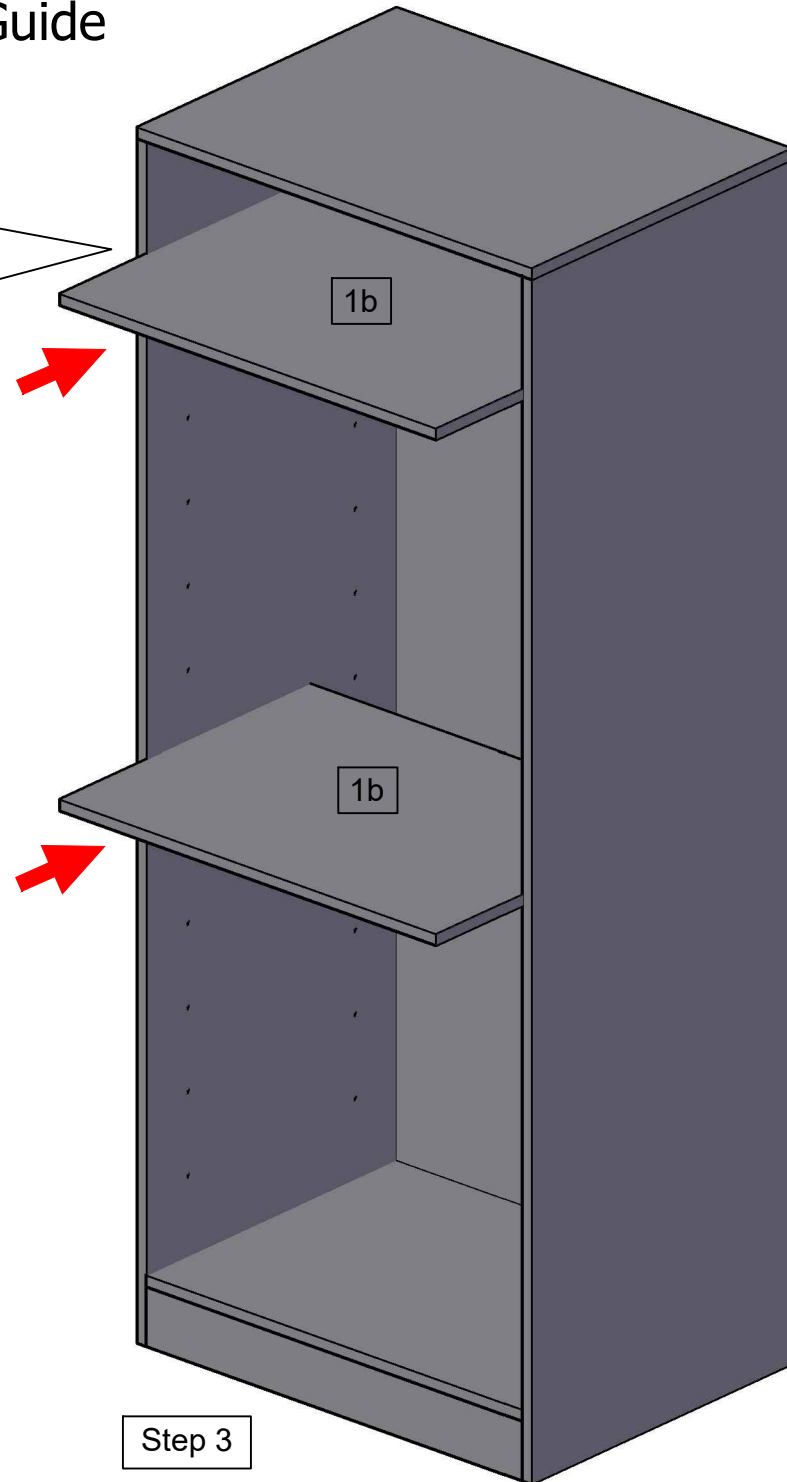
Assembly Guide

ES002 - 3

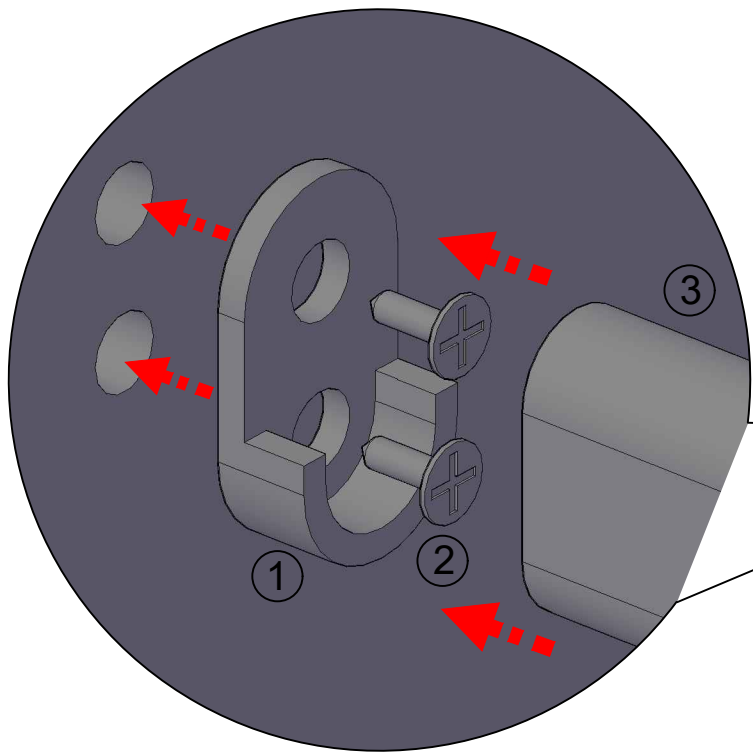


Step 4

Parts List:
1b. Adjustable Shelf Panel Board x 2pcs.



Step 3



- 1. FLANGE
- 2. SCREW
- 3. WARDROBE OVAL ROD

